



US00D762439S

(12) **United States Design Patent**
Bertani

(10) **Patent No.:** **US D762,439 S**

(45) **Date of Patent:** **** Aug. 2, 2016**

(54) **HANDWHEEL**

(71) Applicant: **ELESA S.P.A.**, Milan (IT)

(72) Inventor: **Alberto Bertani**, Monza (IT)

(**) Term: **15 Years**

(21) Appl. No.: **35/500,062**

(22) Filed: **Jun. 15, 2015**

(80) **Hague Agreement Data**

Int. Filing Date: **Jun. 15, 2015**

Int. Reg. No.: **DM/086930**

Int. Reg. Date: **Jun. 15, 2015**

Int. Reg. Pub. Date: **Jul. 24, 2015**

(51) **LOC (10) Cl.** **08-06**

(52) **U.S. Cl.**
USPC **D8/309**

(58) **Field of Classification Search**
USPC D08/300-310, 353; 74/522-557;
16/110.1, 429, 432; D12/174-178

See application file for complete search history.

(56) **References Cited**

U.S. PATENT DOCUMENTS

D493,348 S * 7/2004 Bertani D15/142
D575,619 S * 8/2008 Bertani D8/309

* cited by examiner

Primary Examiner — Richard E Chilcot

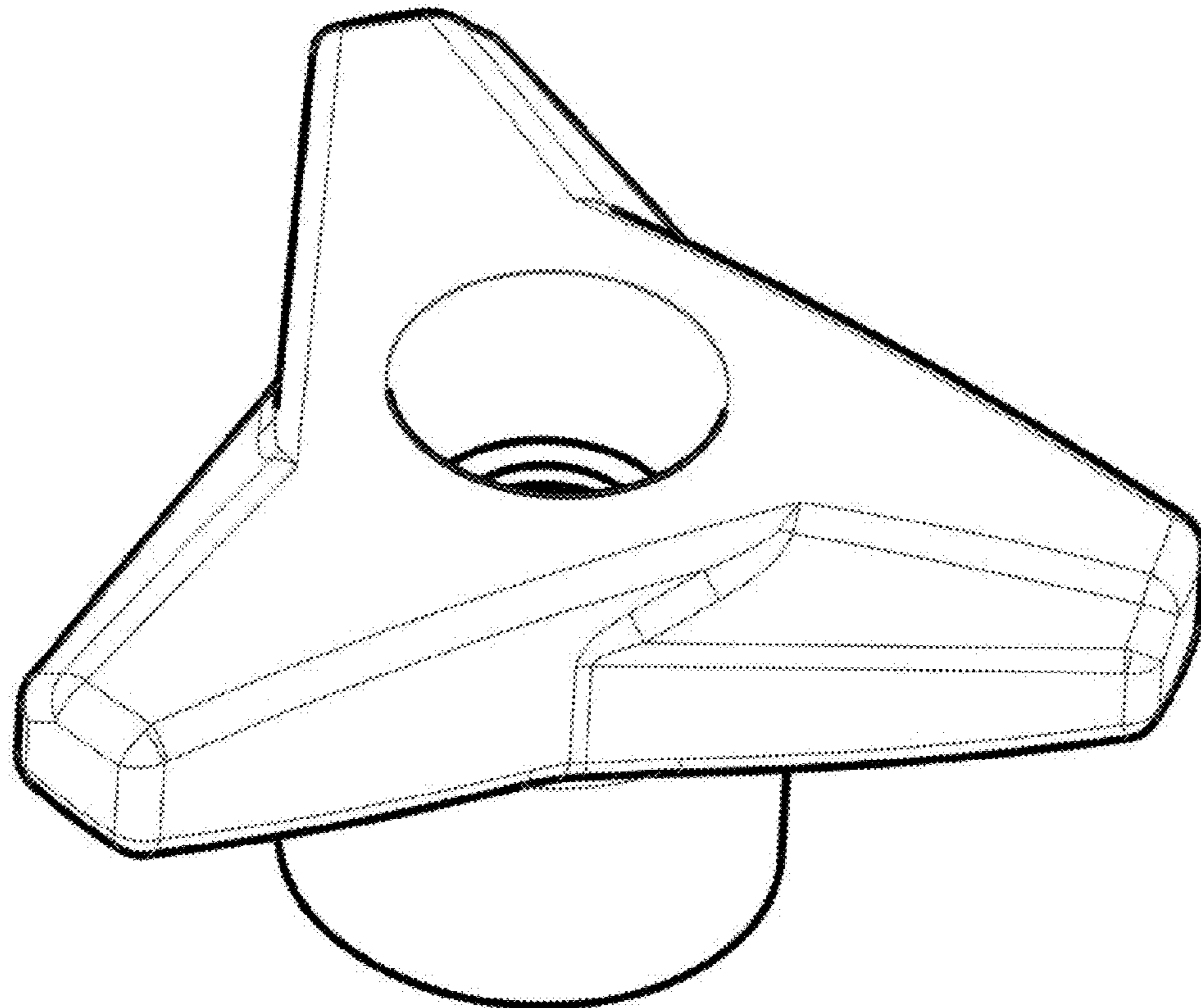
(57) **CLAIM**

The ornamental design for handwheel, as shown and described.

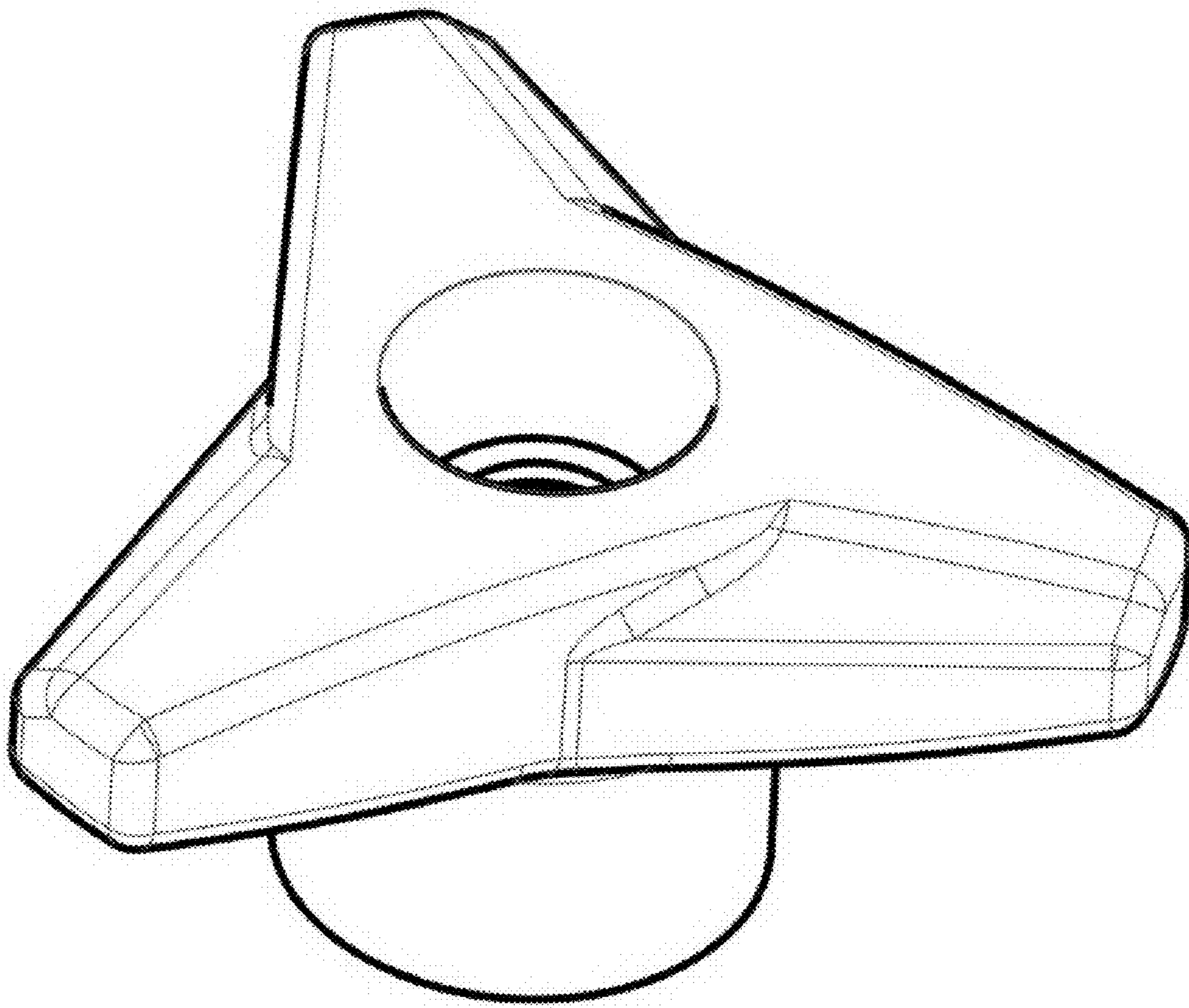
DESCRIPTION

1. Handwheel
1.1 is a perspective view of a handwheel
1.2 is a side view of FIG. 1.1;
1.3 is another side view of FIG. 1.1;
1.4 is a bottom view of FIG. 1.1;
1.5 is a further side view of FIG. 1.1;
1.6 is a top view of FIG. 1.1; and,
1.7 is a further side view of FIG. 1.1.

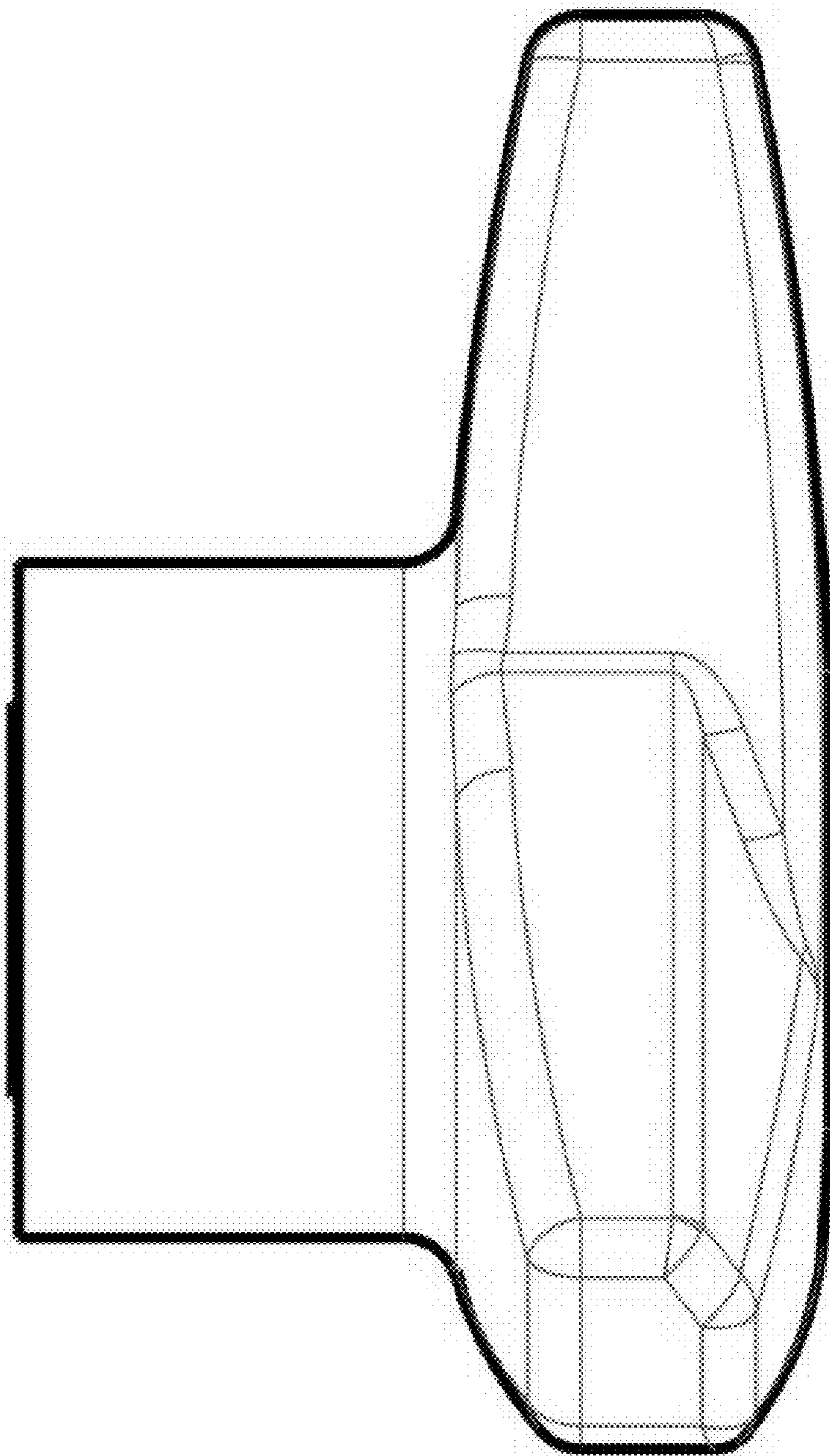
1 Claim, 7 Drawing Sheets



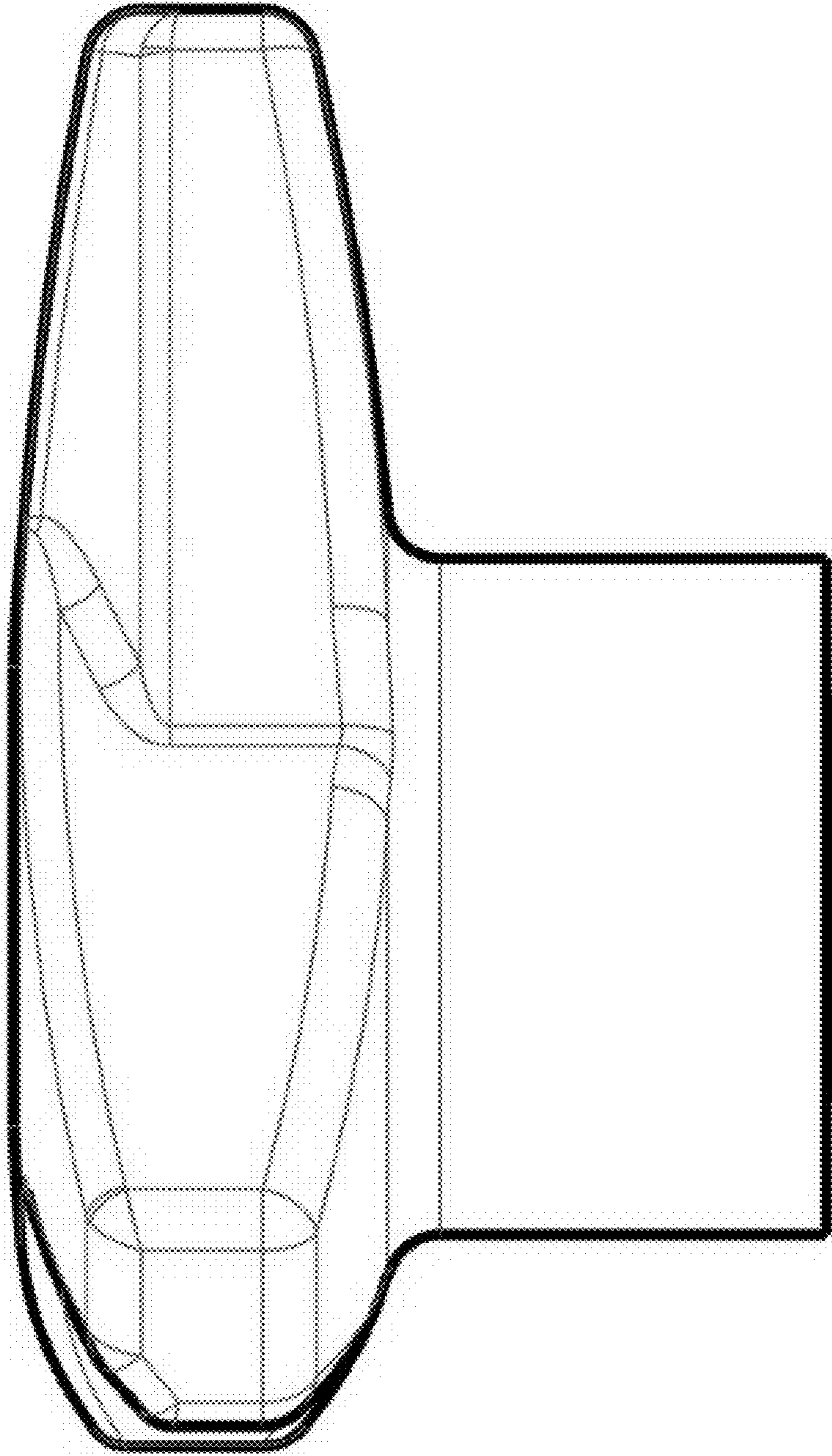
1.1



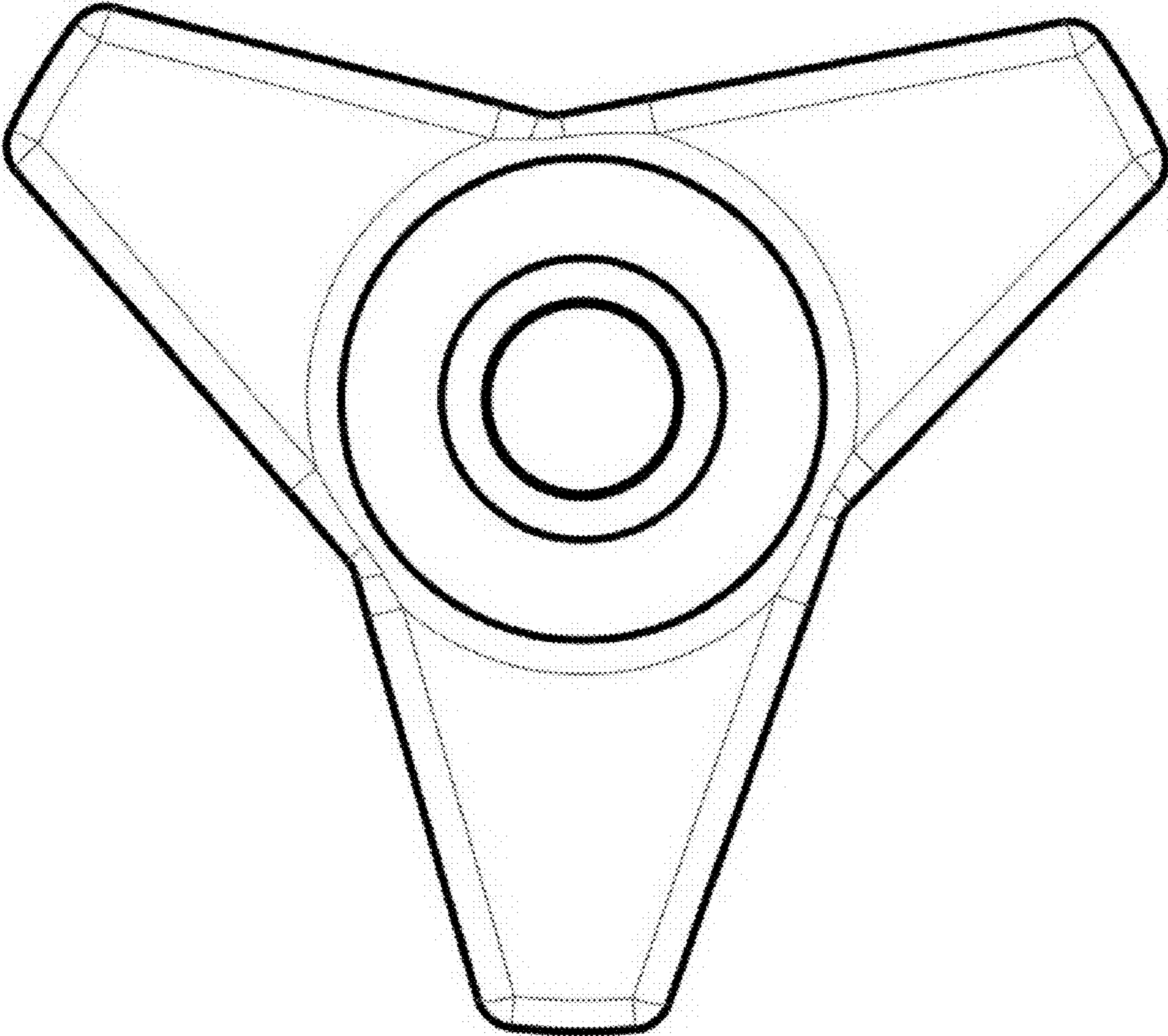
1.2



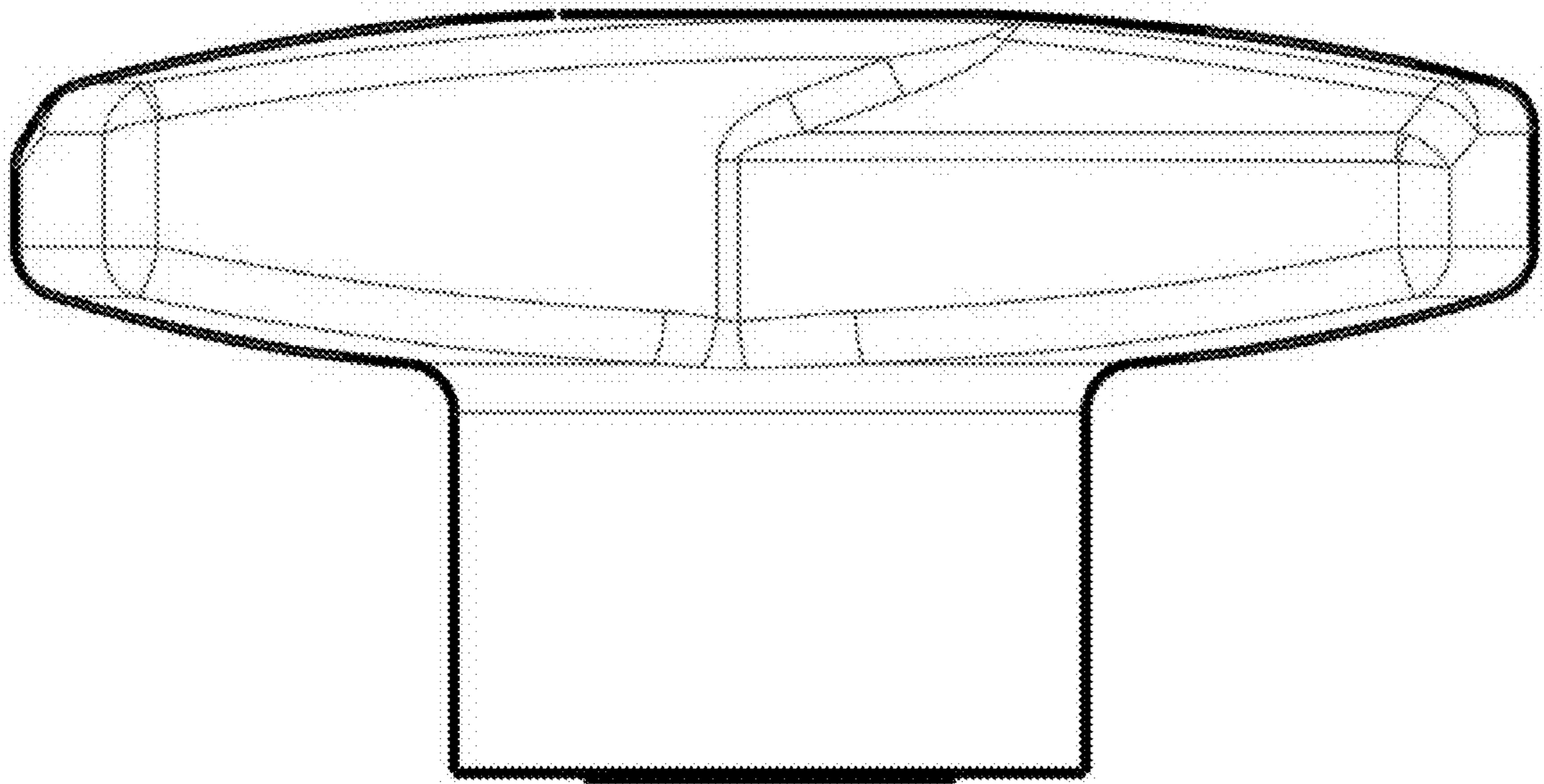
1.3



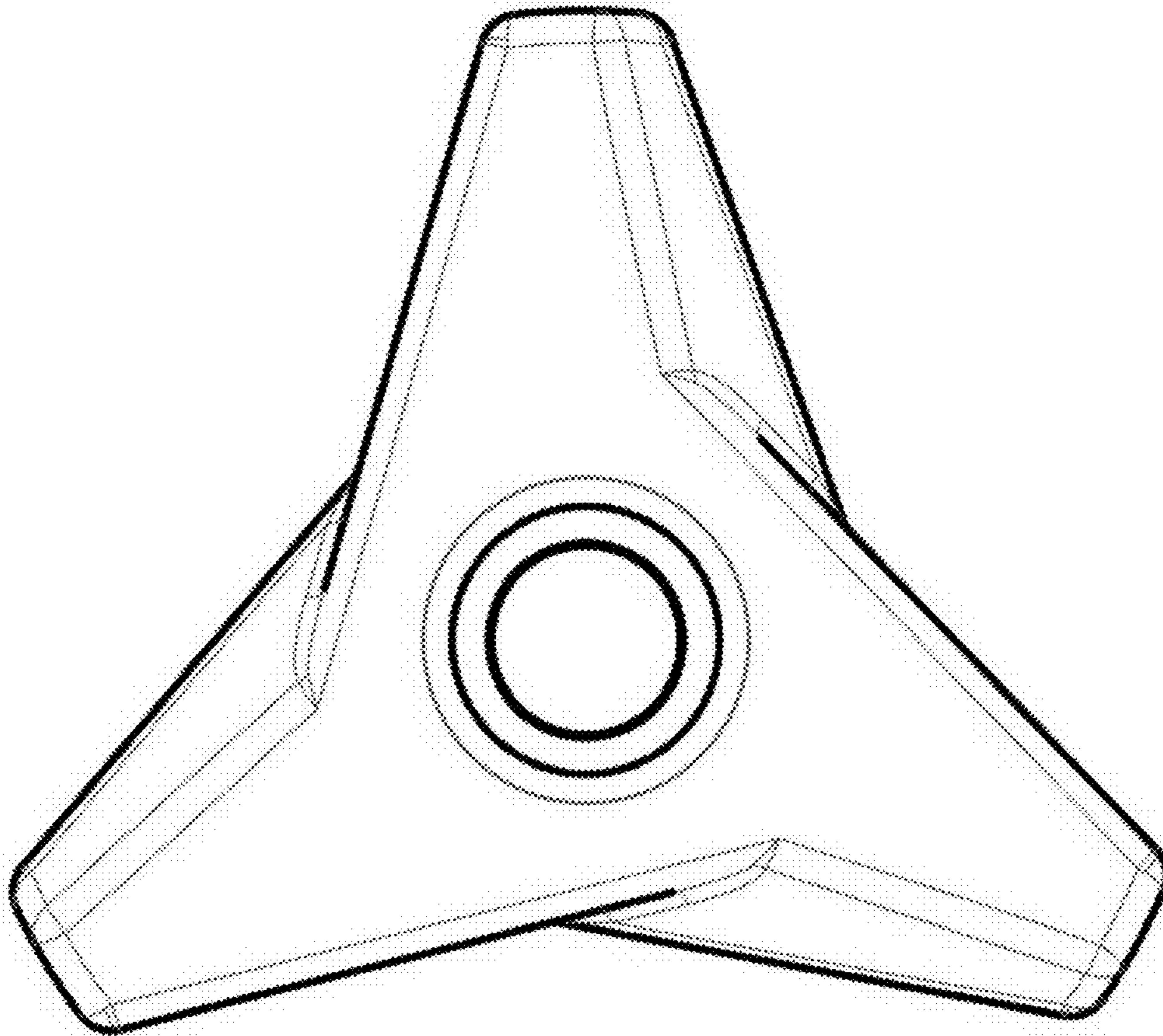
1.4



1.5



1.6



1.7

