



US00D762438S

(12) **United States Design Patent**
Domroese et al.

(10) **Patent No.:** **US D762,438 S**
(45) **Date of Patent:** **** Aug. 2, 2016**

(54) **WINDOW FILM ATTACHMENT
APPLICATOR TOOL**

6,421,924 B2 * 7/2002 Anderson et al. 30/294
6,513,854 B2 2/2003 Lagrue
6,671,968 B2 * 1/2004 Shannon 30/294
6,931,799 B2 8/2005 Webb
7,784,233 B2 8/2010 Friedlich

(71) Applicant: **3M INNOVATIVE PROPERTIES
COMPANY**, Saint Paul, MN (US)

(Continued)

(72) Inventors: **Michael K. Domroese**, Woodbury, MN
(US); **Paul A. Neumann**, Saint Paul,
MN (US)

FOREIGN PATENT DOCUMENTS

CA 2489759 2/2006
CA 2489798 2/2006

(73) Assignee: **3M INNOVATIVE PROPERTIES
COMPANY**, Saint Paul, MN (US)

(Continued)

(**) Term: **14 Years**

OTHER PUBLICATIONS

English-language Abstract for DE 102012110658, dated May 8,
2013.

(21) Appl. No.: **29/460,089**

Primary Examiner — Phillip S Hyder

(22) Filed: **Jul. 8, 2013**

(74) *Attorney, Agent, or Firm* — 3M Innovative Properties
Company; Carlos M. Téllez

(51) **LOC (10) Cl.** **08-03**

(52) **U.S. Cl.**
USPC **D8/99**

(57) **CLAIM**

(58) **Field of Classification Search**
USPC D8/98, 99, 51, 71; 30/287, 289, 294,
30/299, 329, 314

The ornamental design for a blade holder for a window film
attachment applicator tool, as shown and described.

CPC B26D 1/08; B26D 1/105
See application file for complete search history.

DESCRIPTION

(56) **References Cited**

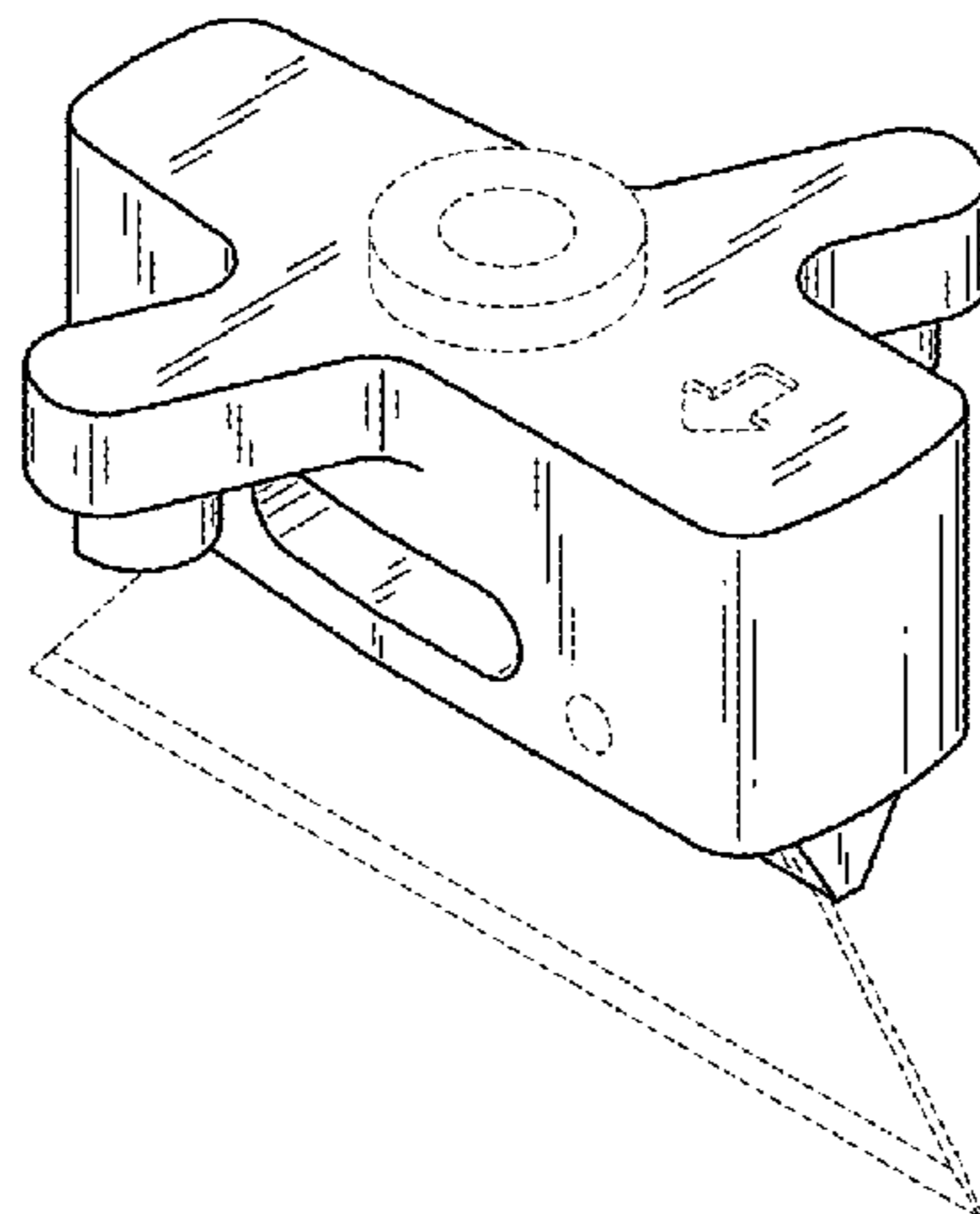
U.S. PATENT DOCUMENTS

3,925,145 A 12/1975 Ames
4,064,626 A * 12/1977 Meshulam et al. 30/287
4,284,464 A 8/1981 Förster
4,567,802 A * 2/1986 Witherspoon 83/581
4,606,124 A * 8/1986 Figueroa 30/293
4,949,462 A * 8/1990 Spencer 30/293
D399,402 S * 10/1998 Unruh D8/98
5,975,181 A 11/1999 Lafond
5,992,107 A 11/1999 Poirier
5,997,009 A 12/1999 Geise
6,116,315 A 9/2000 Field
6,360,804 B1 3/2002 Field

FIG. 1 is a first top perspective view of the new design for a
blade holder for a window film attachment applicator tool;
FIG. 2 is a first side view thereof;
FIG. 3 is a top view thereof;
FIG. 4 is a second side view thereof;
FIG. 5 is a third side view thereof;
FIG. 6 is a fourth side view thereof;
FIG. 7 is a bottom view thereof; and,
FIG. 8 is a second top perspective view thereof.

The screw heads, arrow, the feature at the top of the tool, and
the area at the lower end of the third side are depicted by
broken lines because they depict portions of the window film
attachment applicator tool that are not claimed.

1 Claim, 3 Drawing Sheets



(56)

References Cited

FOREIGN PATENT DOCUMENTS

U.S. PATENT DOCUMENTS

2007/0107342 A1 5/2007 Friedlich
2009/0151255 A1 6/2009 Haak
2009/0320406 A1 12/2009 Dyer

DE 102012110658 5/2013
EP 0362034 4/1990

* cited by examiner

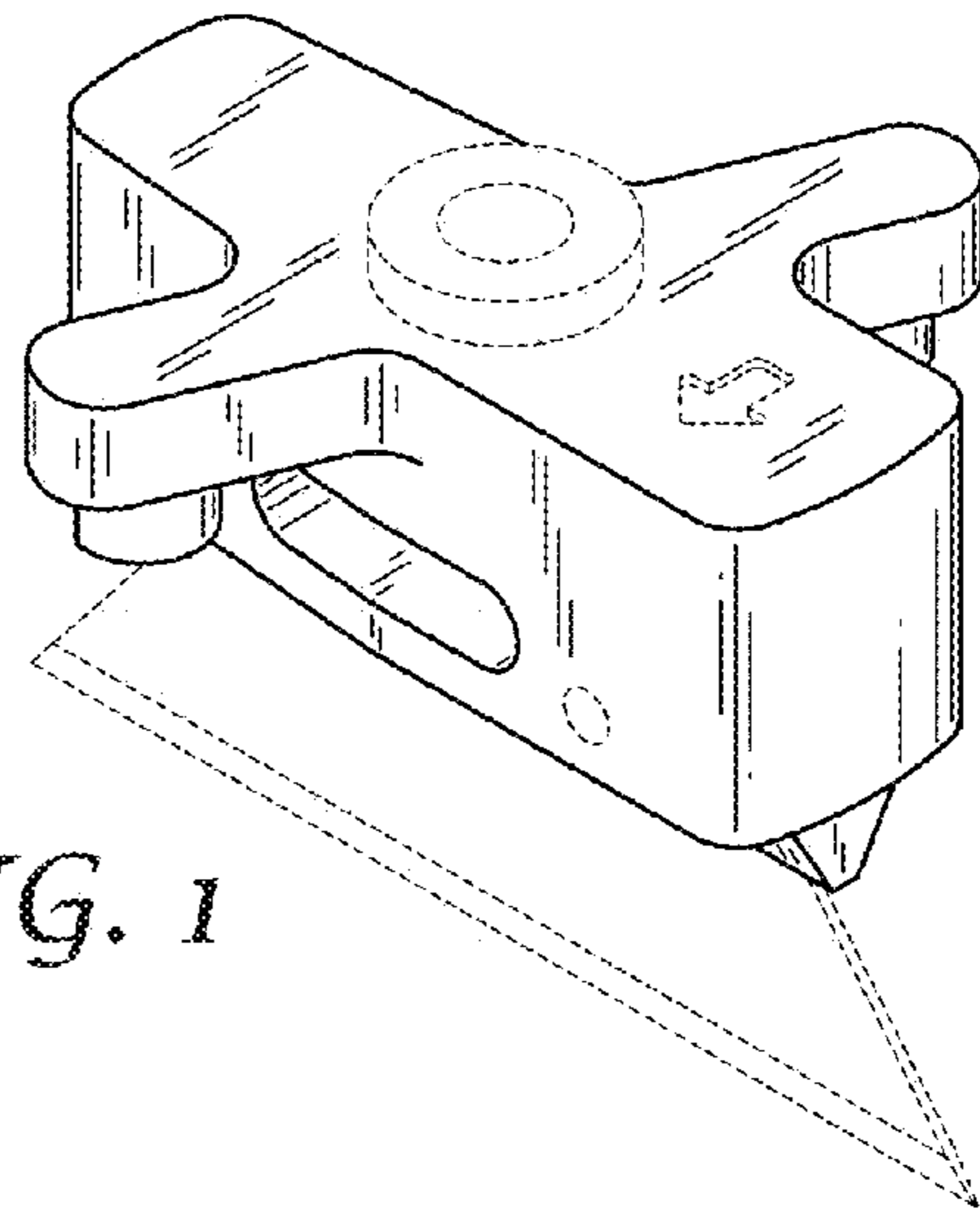


FIG. 1

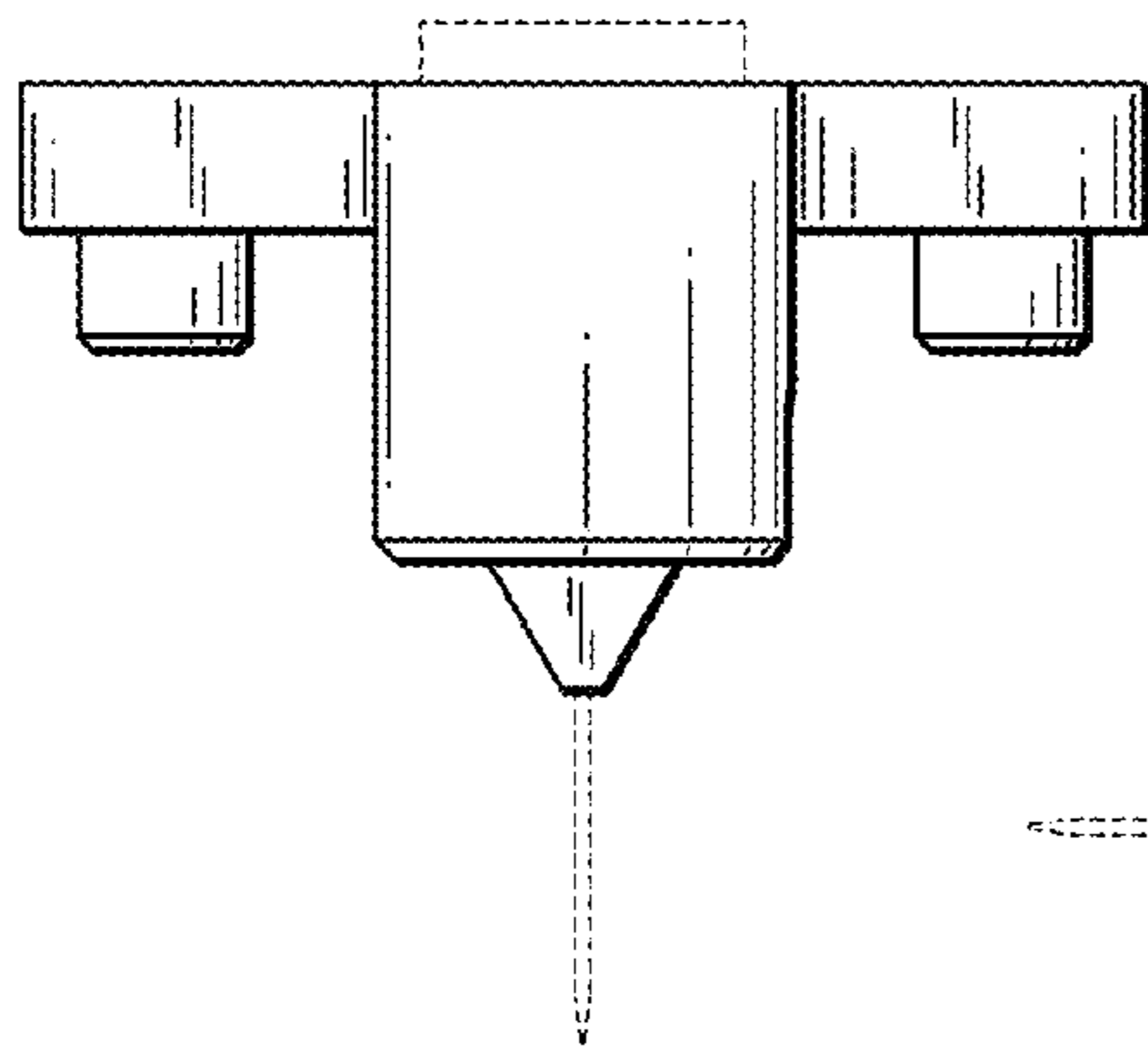


FIG. 2

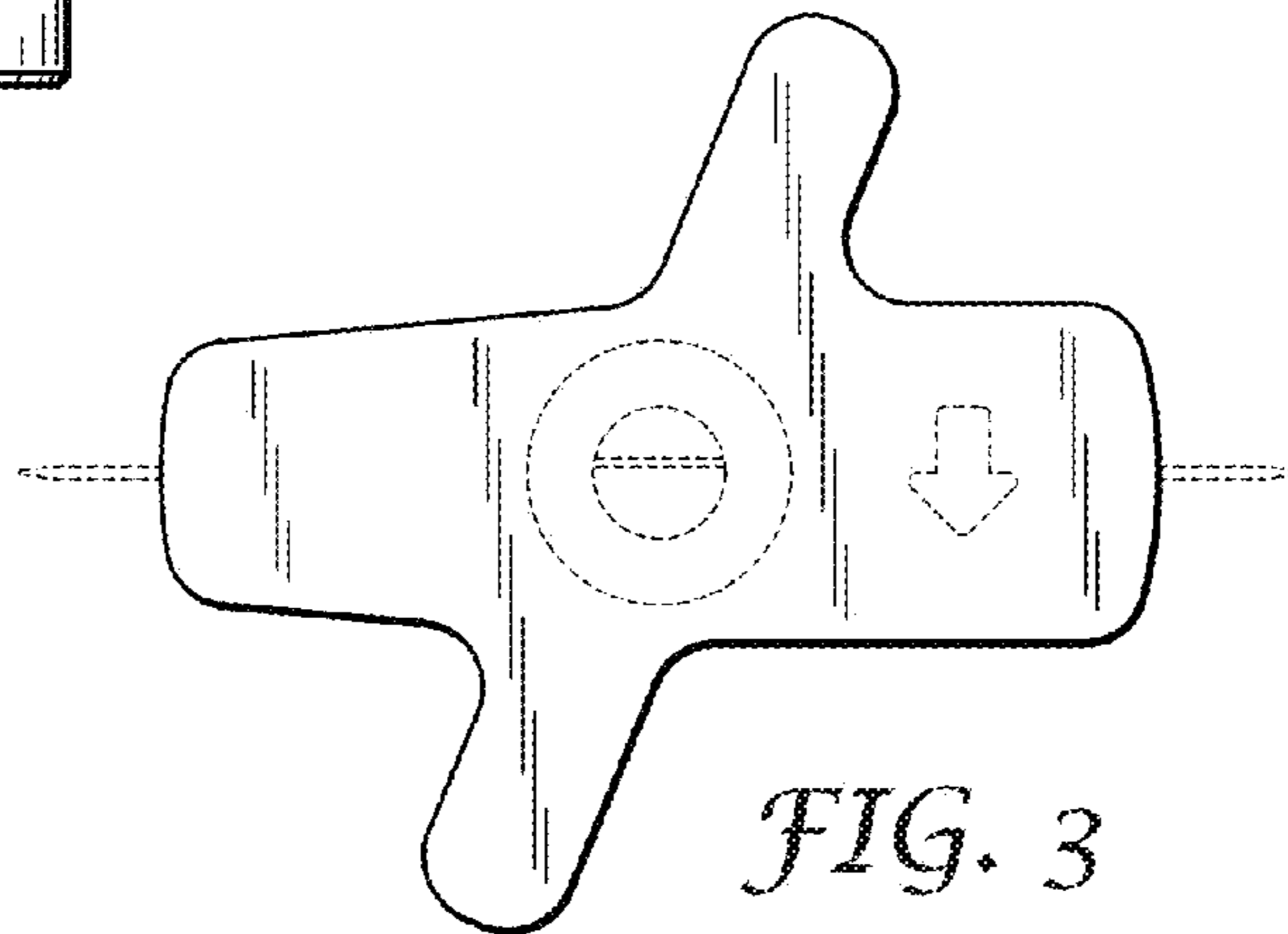


FIG. 3

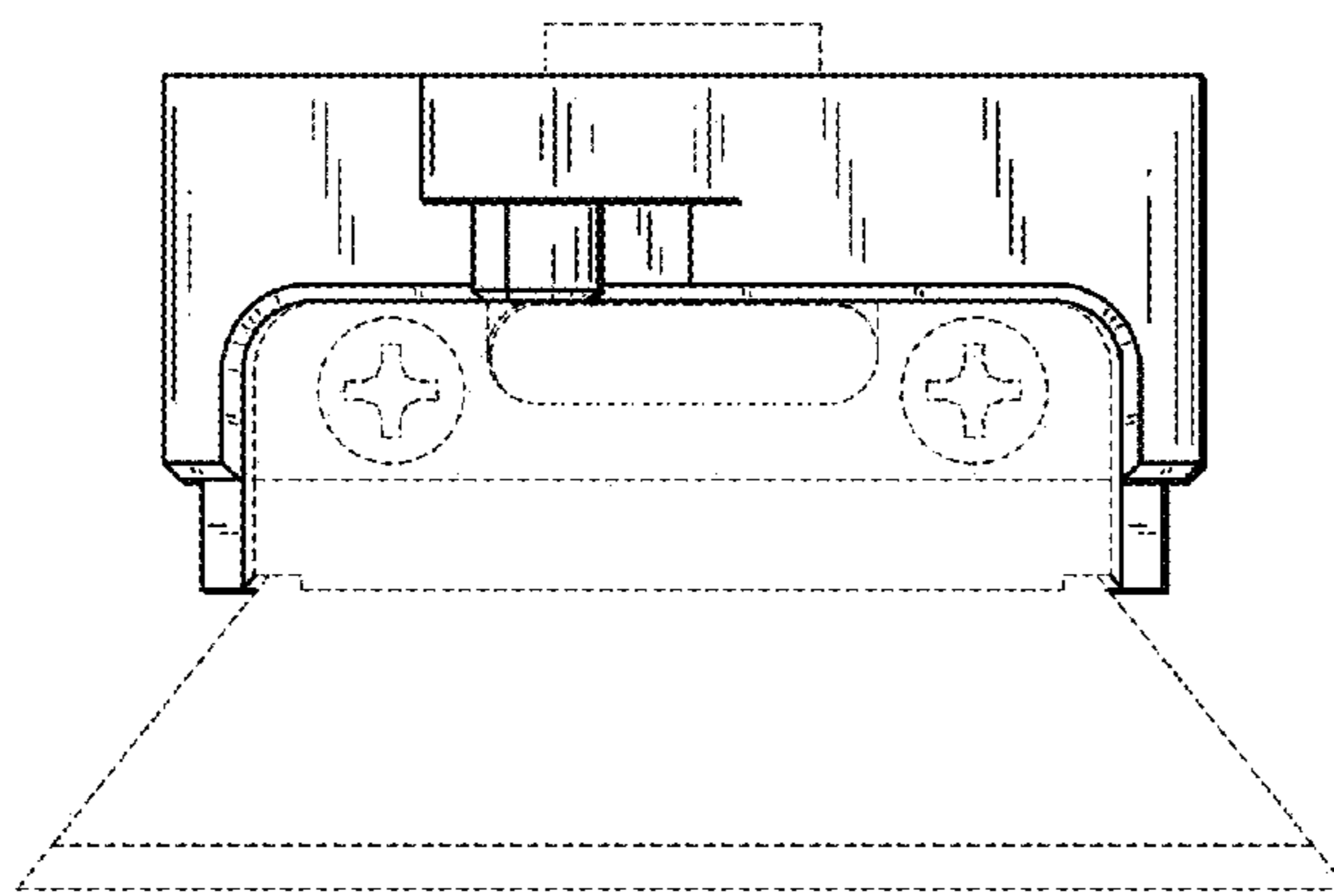


FIG. 4

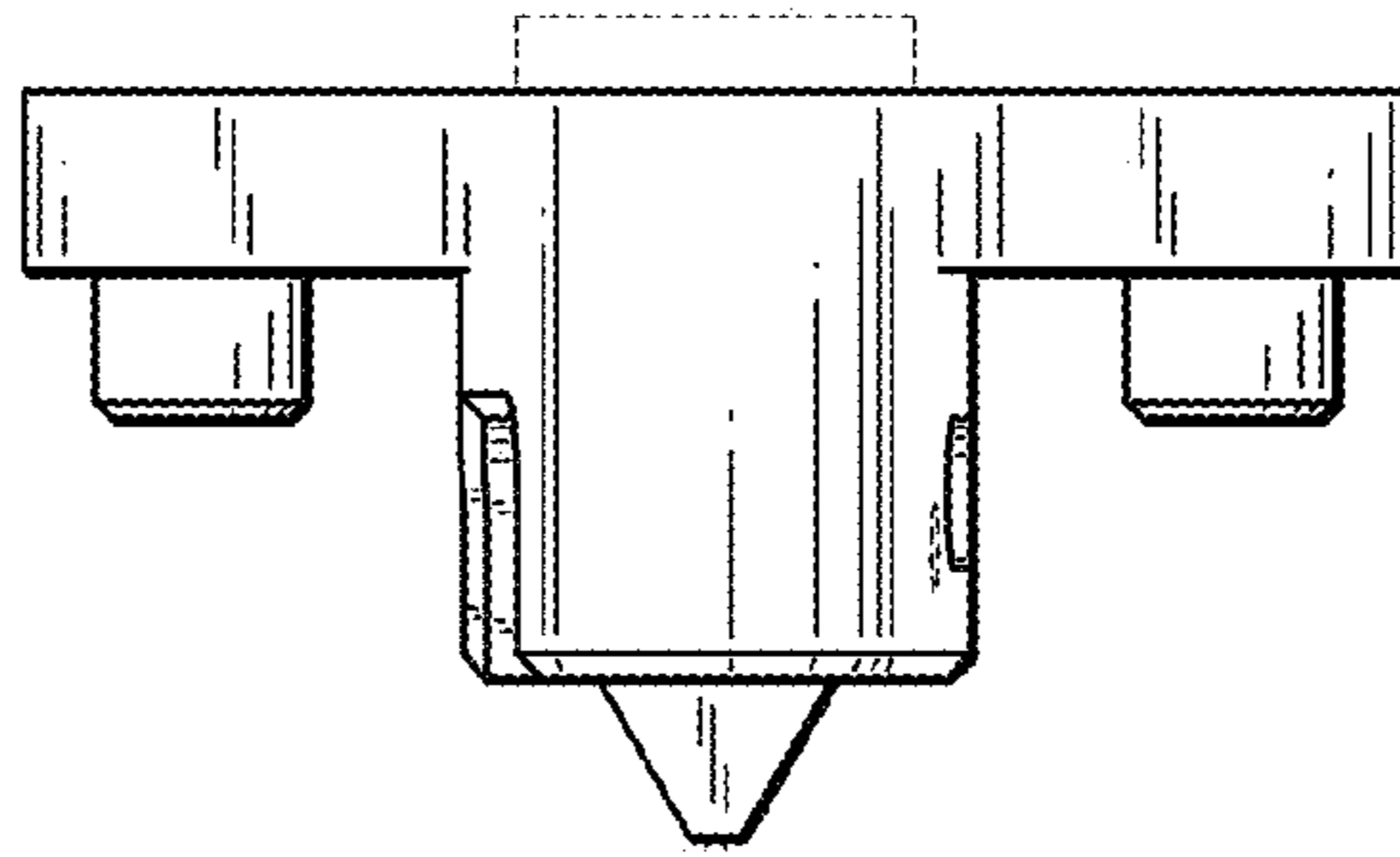


FIG. 5

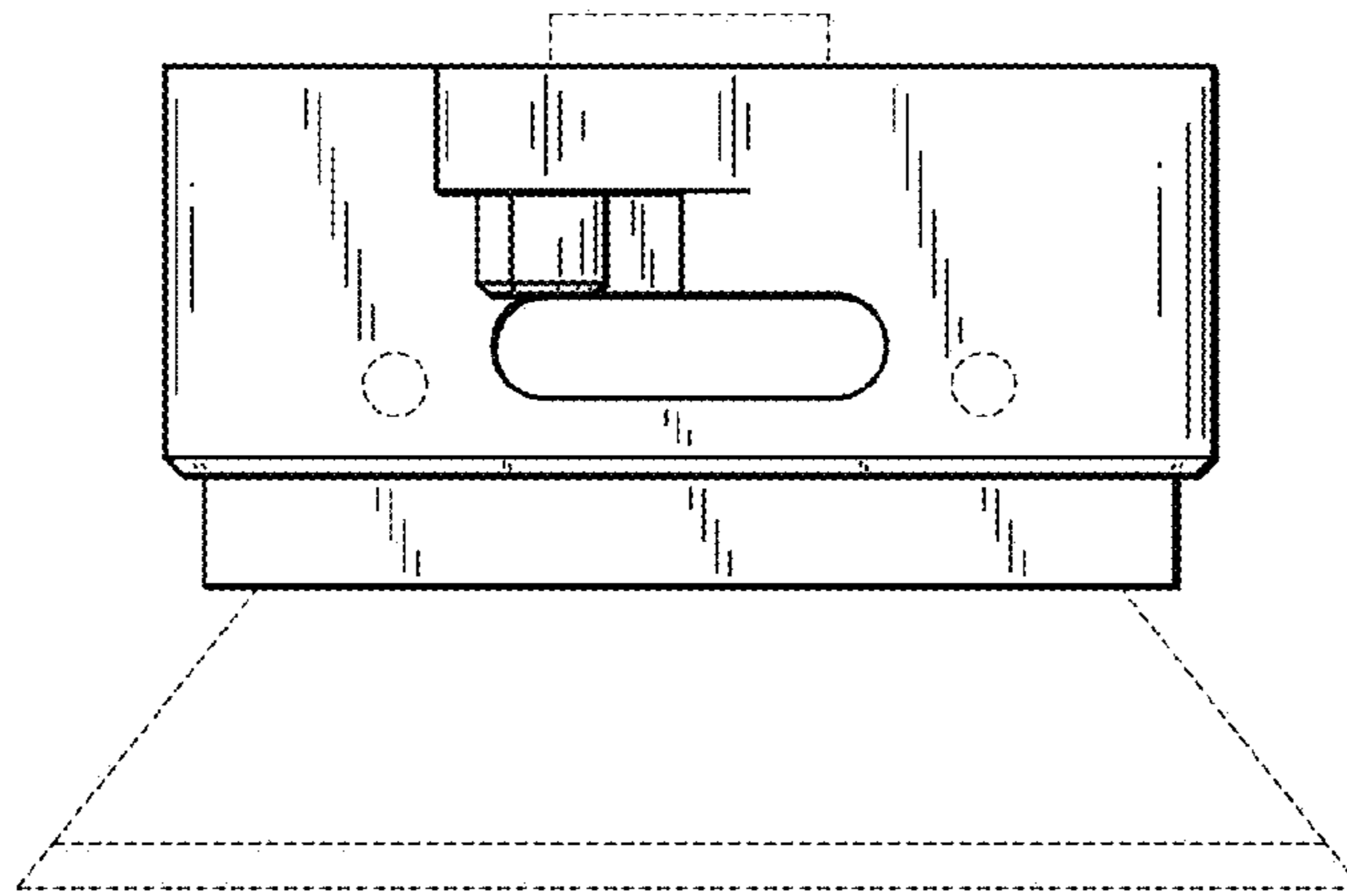


FIG. 6

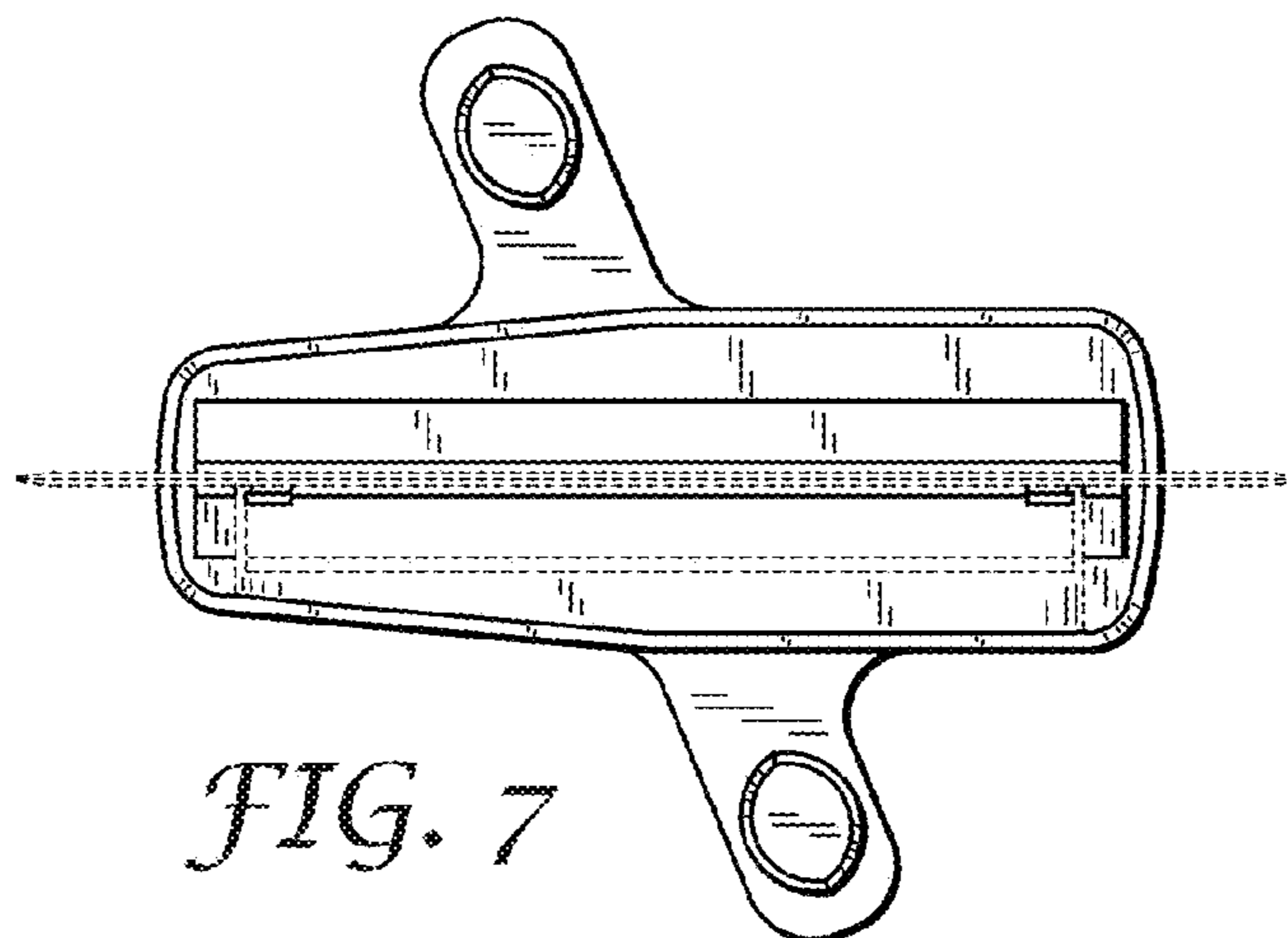


FIG. 7

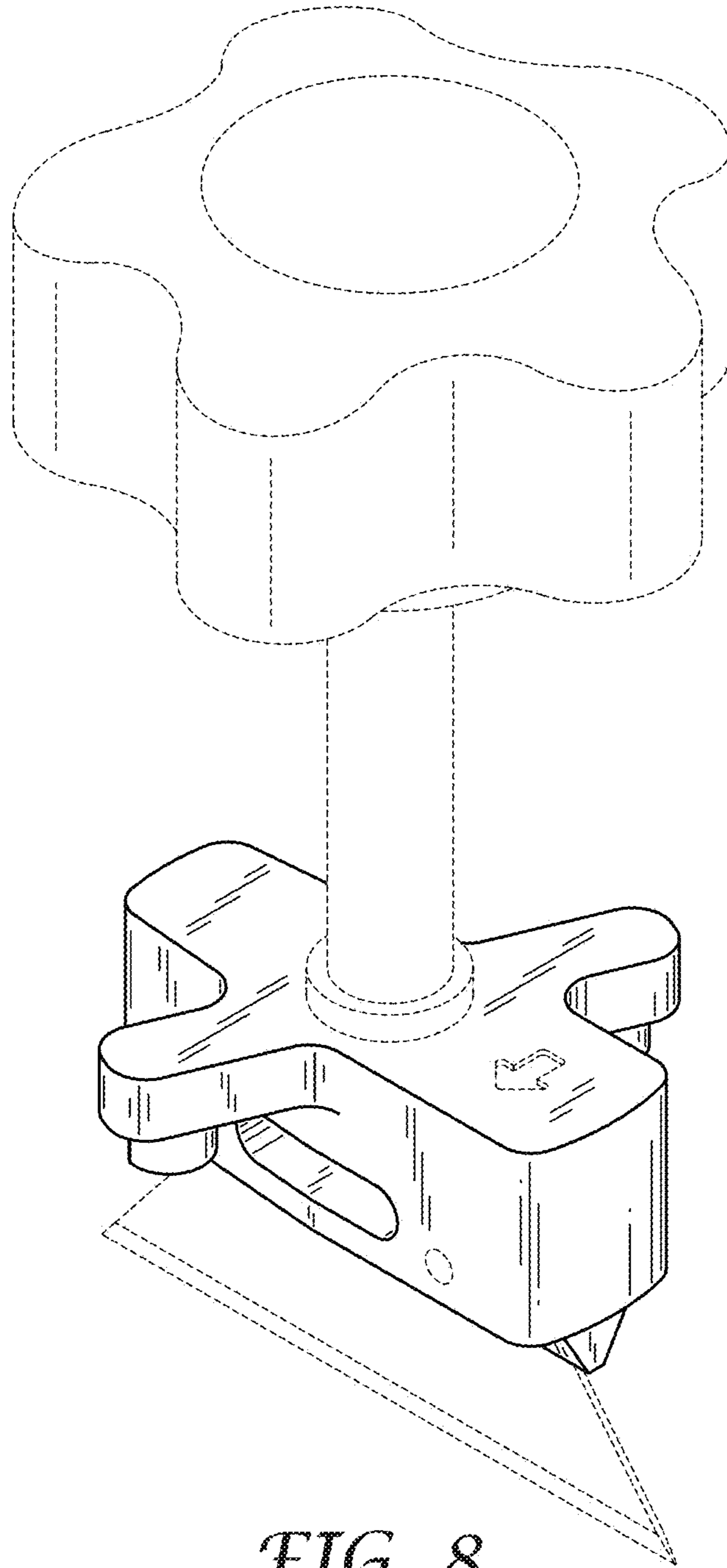


FIG. 8