



US00D762437S

(12) **United States Design Patent**
Lipscomb et al.

(10) **Patent No.:** **US D762,437 S**
(45) **Date of Patent:** **** Aug. 2, 2016**

(54) **FABRIC CUTTER**

(71) Applicant: **Fiskars Brands, Inc.**, Madison, WI (US)

(72) Inventors: **Daniel J. Lipscomb**, Prairie Du Sac, WI (US); **Douglas R. Nelson**, Madison, WI (US); **Stephen P. Dechant**, Lodi, WI (US)

(73) Assignee: **Fiskars Brands, Inc.**, Madison, WA (US)

(**) Term: **15 Years**

(21) Appl. No.: **29/528,573**

(22) Filed: **May 29, 2015**

(51) **LOC (10) Cl.** **08-03**

(52) **U.S. Cl.**
USPC **D8/98**

(58) **Field of Classification Search**
USPC D8/14, 51, 98, 99
CPC B26B 25/001; B26B 25/005; B26B 29/06
See application file for complete search history.

(56) **References Cited**

U.S. PATENT DOCUMENTS

- 4,281,458 A * 8/1981 Okada B26B 5/001
30/162
- 4,501,069 A * 2/1985 Kohno B26B 5/002
30/293
- D412,274 S * 7/1999 Okada D8/98
- D418,732 S * 1/2000 Arend D8/51

- D447,400 S * 9/2001 Okada D8/98
- D448,266 S * 9/2001 Young D8/99
- D460,338 S * 7/2002 Martelli D8/51
- 6,516,520 B1 * 2/2003 Liao B26B 1/08
30/162
- D481,608 S * 11/2003 DiPalma D8/98
- 6,675,689 B2 * 1/2004 Nunez B26B 29/06
30/151
- 7,188,424 B2 * 3/2007 Webster B26B 25/005
30/164.95
- 7,540,094 B2 * 6/2009 Okada B26B 25/005
30/287
- D649,425 S * 11/2011 Bunnag D8/98

* cited by examiner

Primary Examiner — Phillip S Hyder

(74) *Attorney, Agent, or Firm* — Foley & Lardner LLP

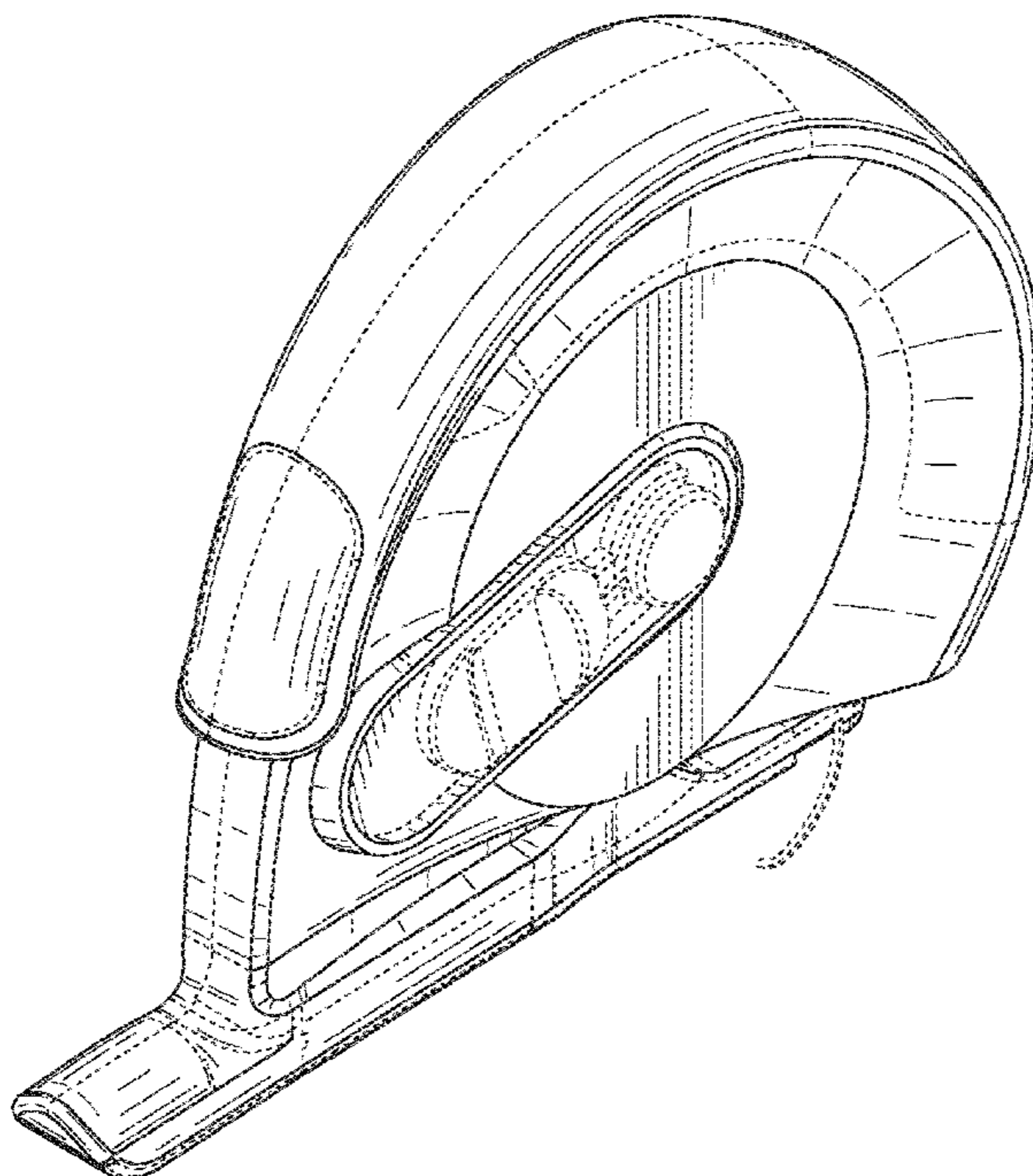
(57) **CLAIM**

We claim the ornamental design for a fabric cutter, as shown and described.

DESCRIPTION

FIG. 1 is a front-right isometric view of a fabric cutter; FIG. 2 is a front-left isometric view thereof; FIG. 3 is a right side elevational view thereof; FIG. 4 is a left side elevational view thereof; FIG. 5 is a front elevational view thereof; FIG. 6 is a rear elevational view thereof; FIG. 7 is a top plan view thereof; and, FIG. 8 is a bottom plan view thereof. The broken lines in the drawings are for illustrative purposes only and show unclaimed portions of the claimed design.

1 Claim, 6 Drawing Sheets



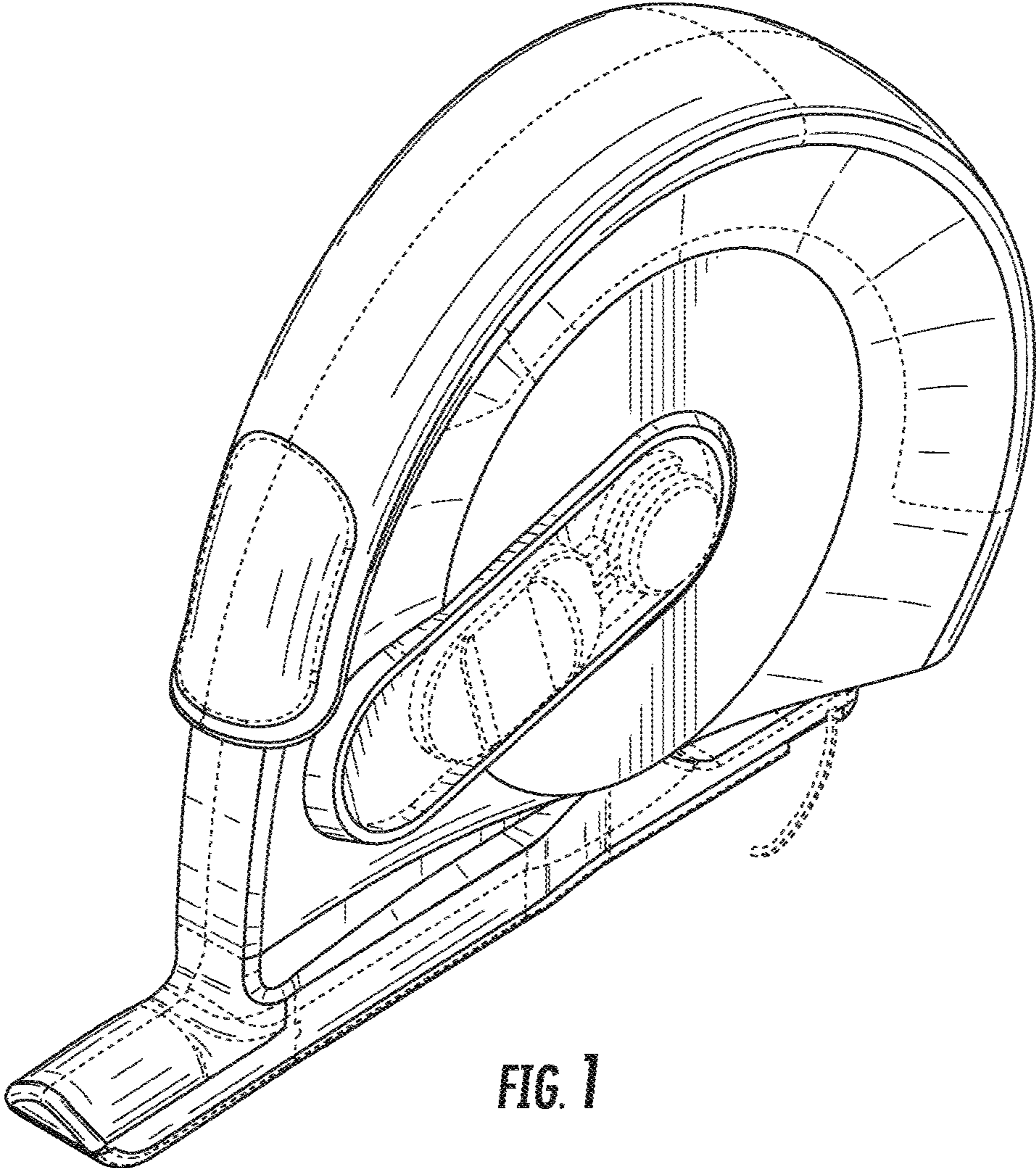


FIG. 1

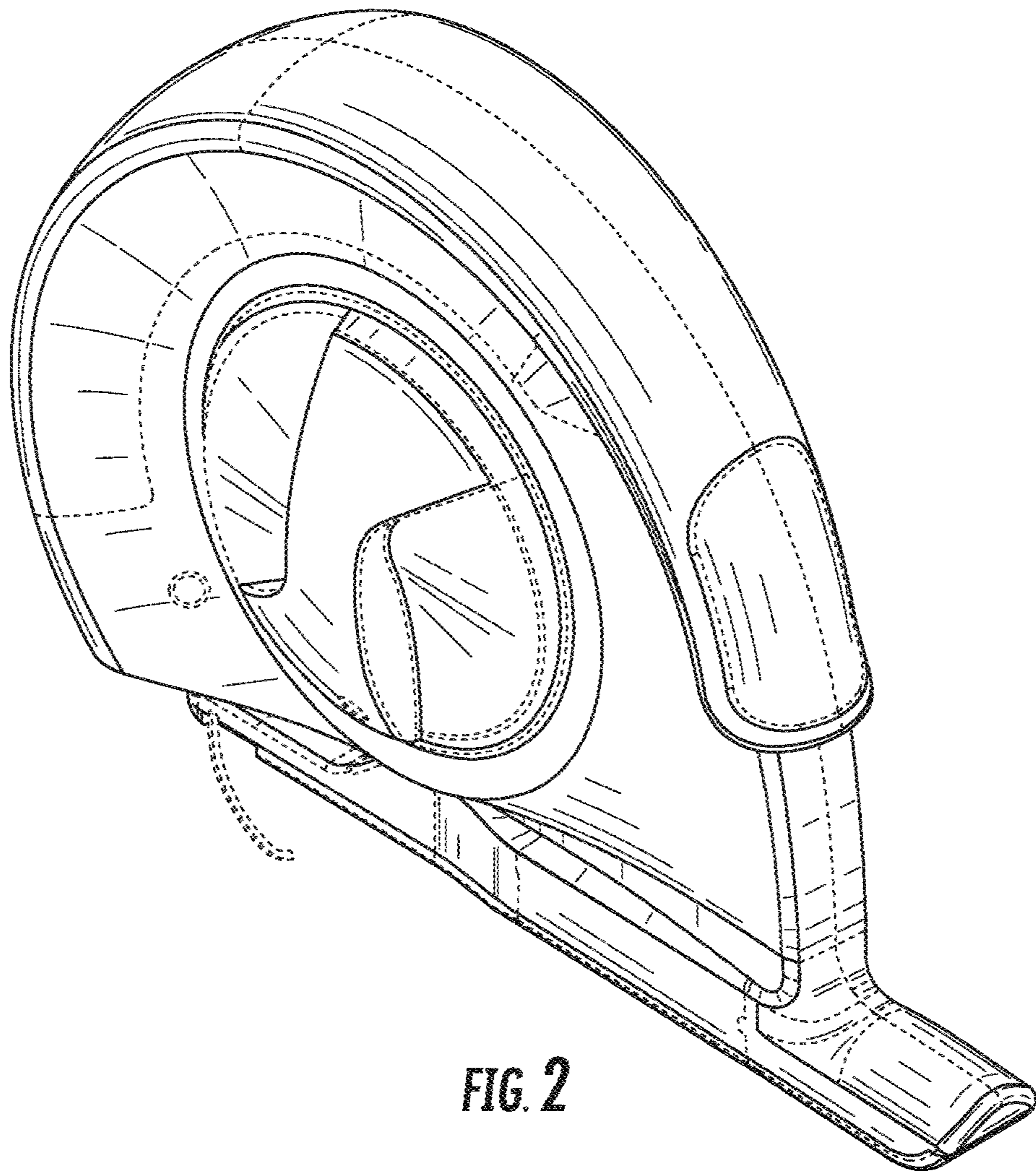


FIG. 2

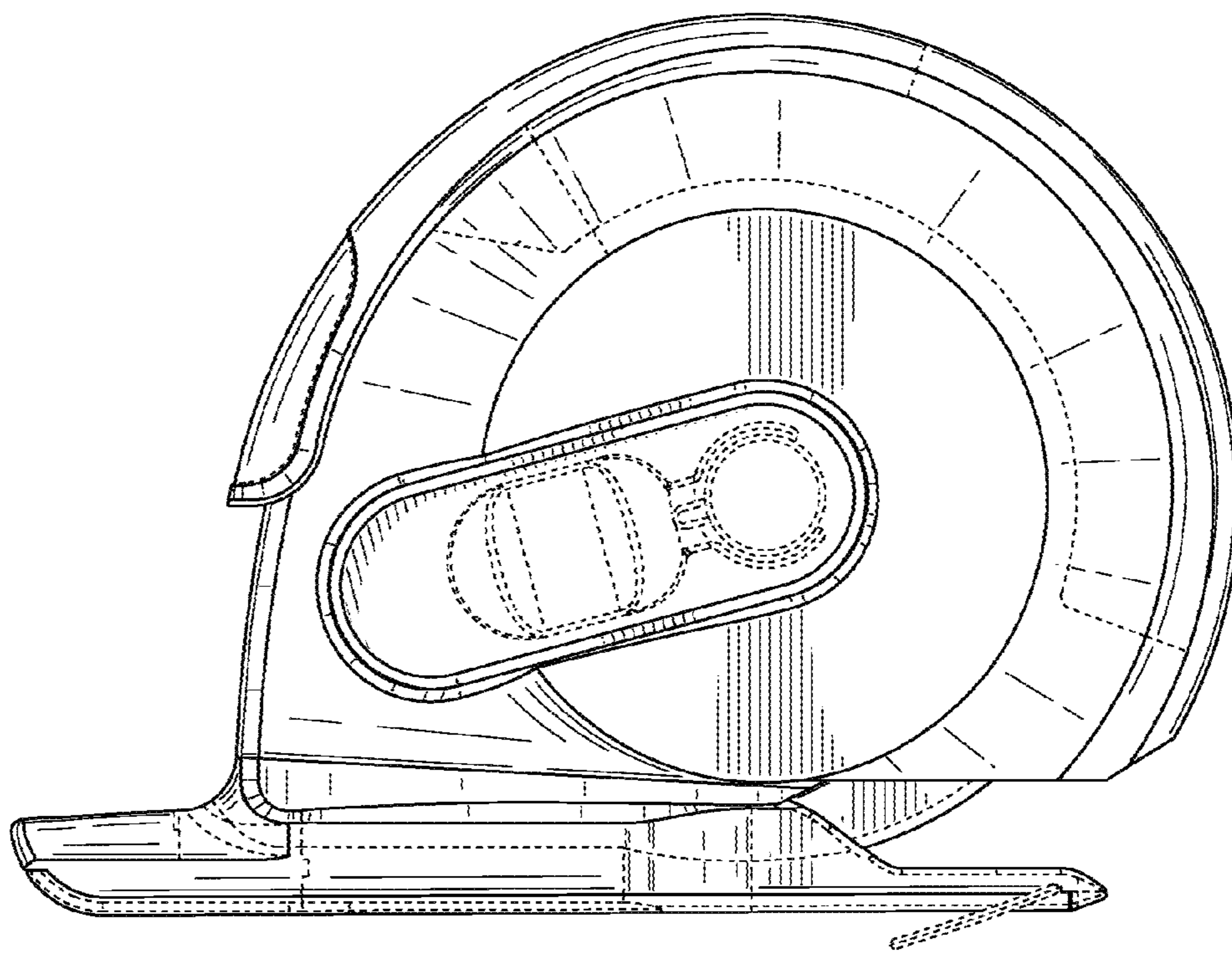


FIG. 3

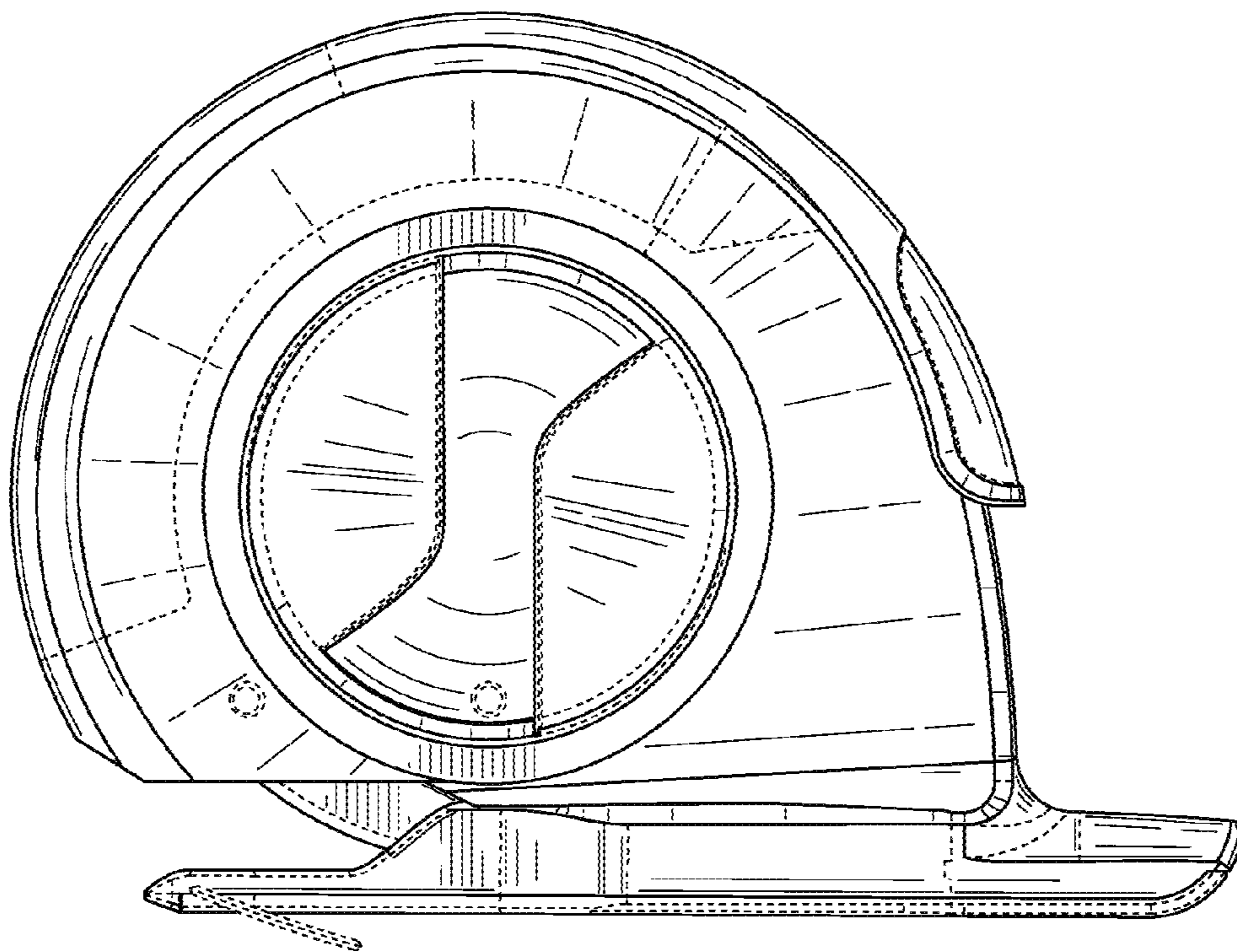


FIG. 4

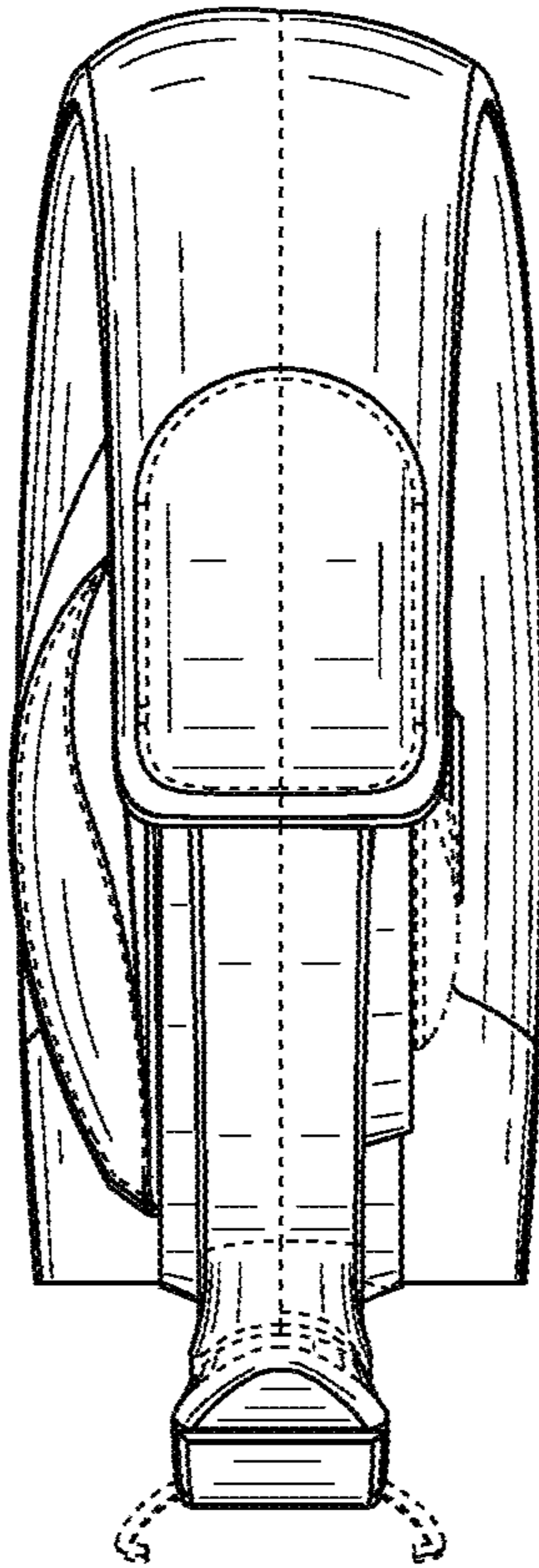


FIG. 5

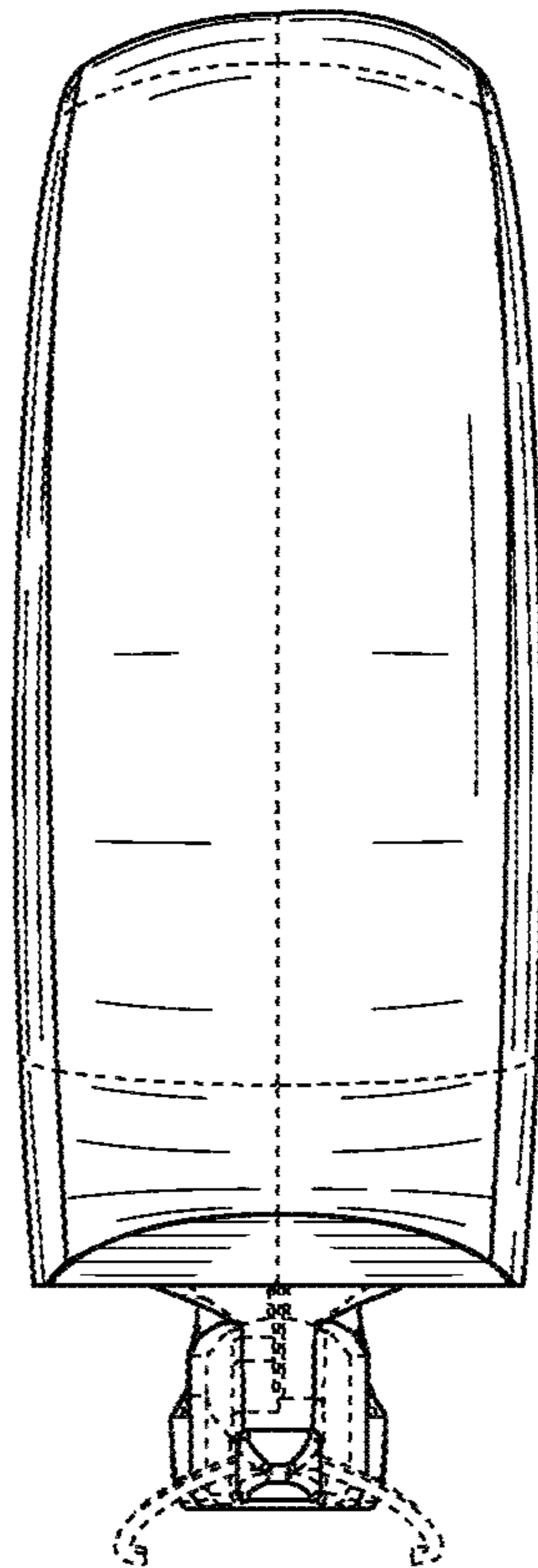


FIG. 6

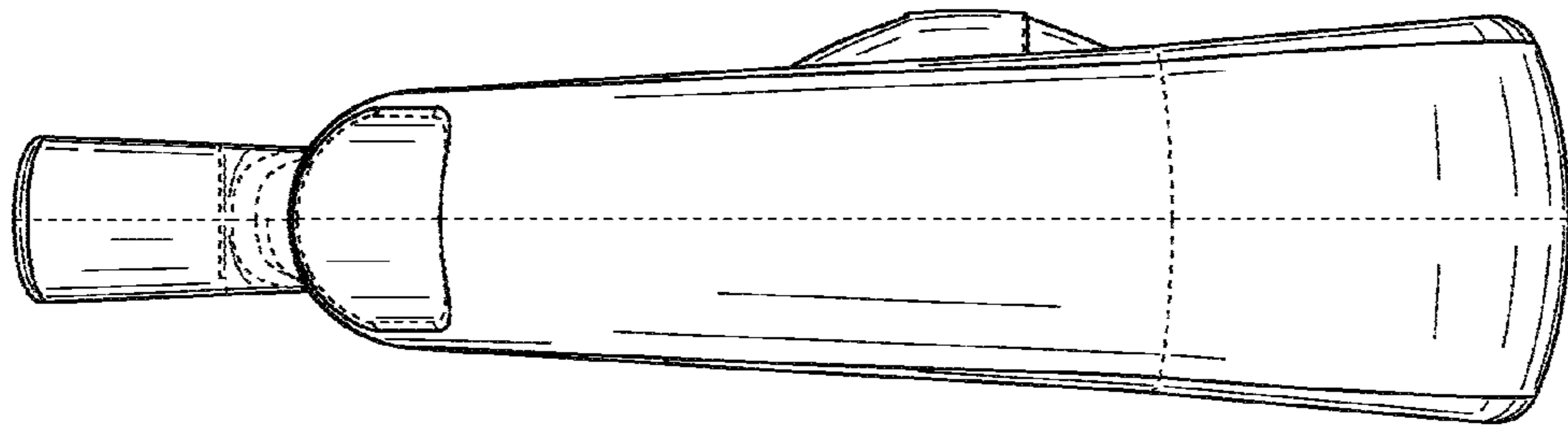


FIG. 7

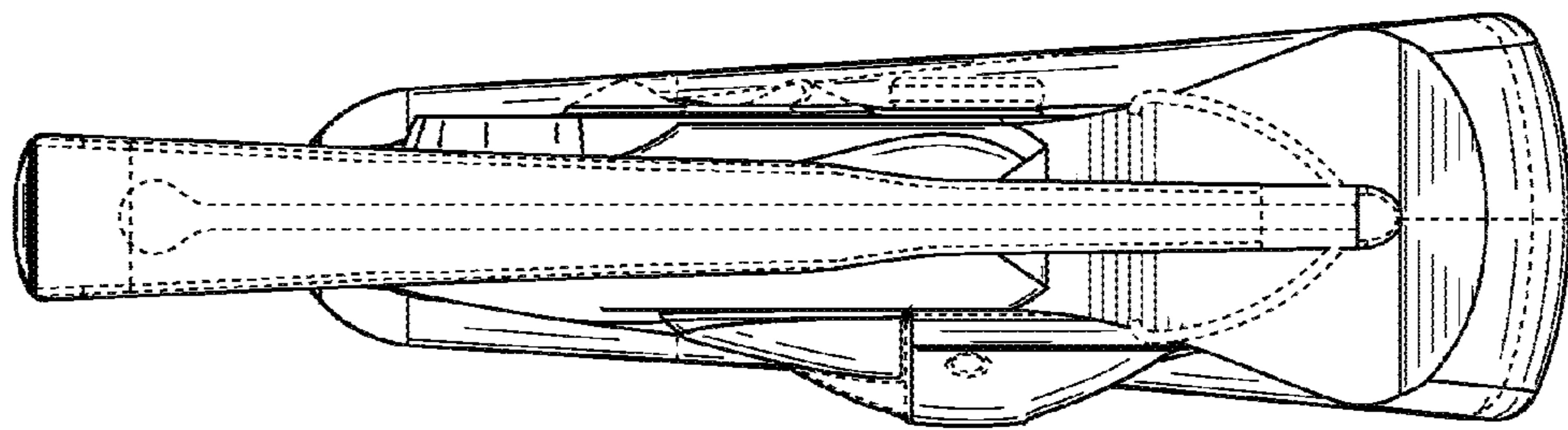


FIG. 8