



US00D762436S

(12) **United States Design Patent**  
**Gill et al.**

(10) **Patent No.:** **US D762,436 S**

(45) **Date of Patent:** **\*\* Aug. 2, 2016**

(54) **CLAMP HEAD**

D747,182 S \* 1/2016 Brickzin ..... D8/363  
D751,377 S \* 3/2016 Duffy ..... D8/395  
D753,990 S \* 4/2016 Swan ..... D22/108

(71) Applicant: **EV IP LP**, Dover, DE (US)

(72) Inventors: **Neil Frank Gill**, Shipley (GB); **Louise Foster**, Selby (GB); **Terence Williams**, Leeds (GB); **Douglas Ramsay Norris**, Heckmondwike (GB)

FOREIGN PATENT DOCUMENTS

DE 2816295 A1 10/1979  
EP 0431209 A1 12/1989  
EP 1946891 A1 1/2008  
GB 629096 A 9/1949  
GB 1530463 11/1978  
WO PCT/IB2012/001925 4/2015

(73) Assignee: **EV IP LP**, Dover, DE (US)

(\*\*) Term: **14 Years**

OTHER PUBLICATIONS

(21) Appl. No.: **29/523,358**

Features of High Strength Tension Control (TC) Bolts, XP-002688987, <http://web.archive.org/web/20020606115545/http://www.tcbolts.co.uk/tcb-1.htm>, Jun. 3, 2002.

(22) Filed: **Apr. 9, 2015**

(51) **LOC (10) Cl.** ..... **08-05**

\* cited by examiner

(52) **U.S. Cl.**  
USPC ..... **D8/72**

*Primary Examiner* — David Muller

(58) **Field of Classification Search**  
USPC ..... D8/71–74, 394–399, 59; 248/63, 72, 248/74.1, 689, 124.2; 81/487, 385, 386, 81/388–390; 269/3, 4, 6, 143, 165, 240, 269/243, 246–249, 254 R, 147–149; 29/256, 29/257, 276; 408/103, 104–109  
CPC ..... B25B 1/00; B25B 5/00  
See application file for complete search history.

(74) *Attorney, Agent, or Firm* — Douglas Denninger

(57) **CLAIM**

We claim the ornamental design for a clamp head, as shown and described.

**DESCRIPTION**

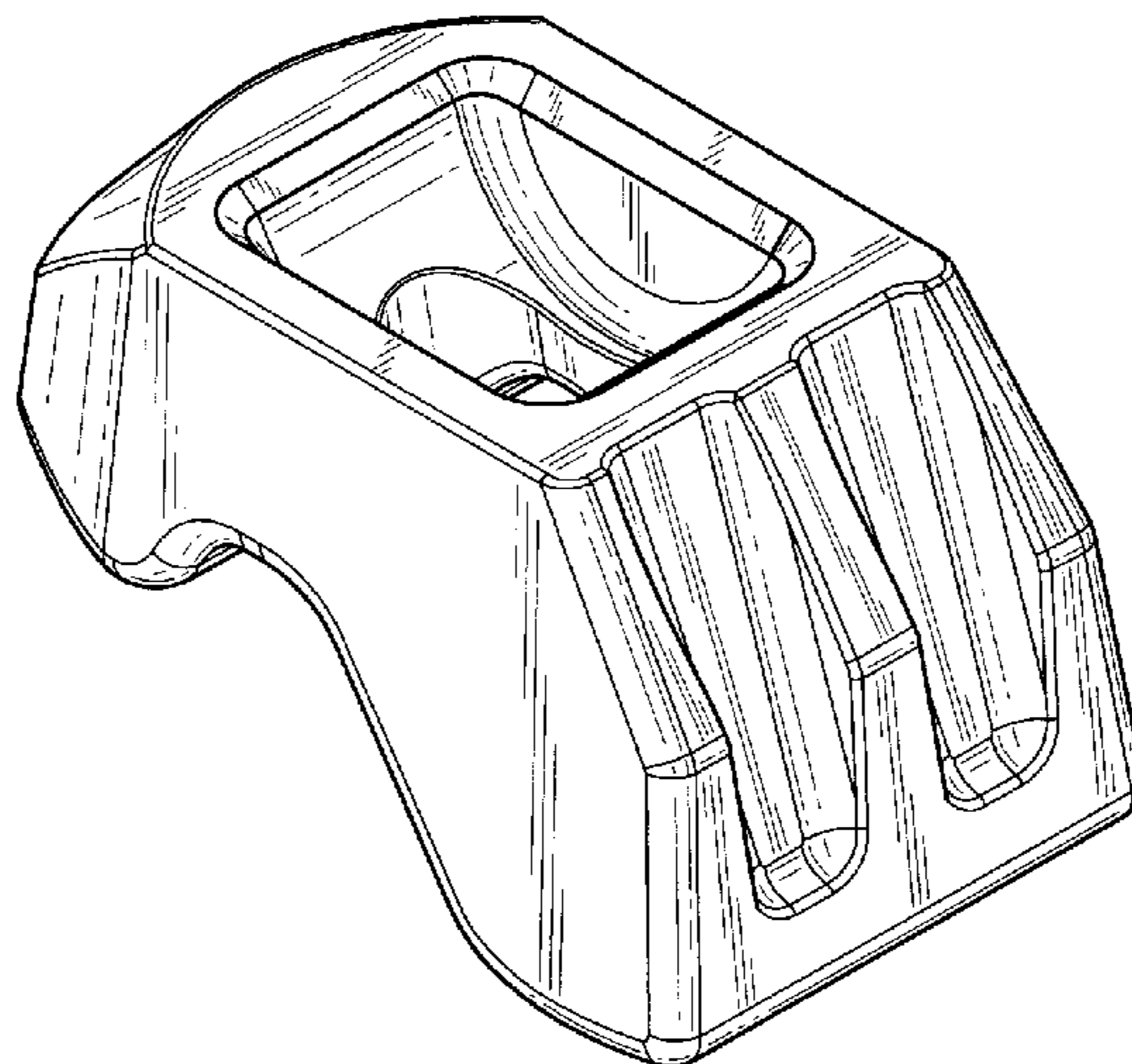
(56) **References Cited**

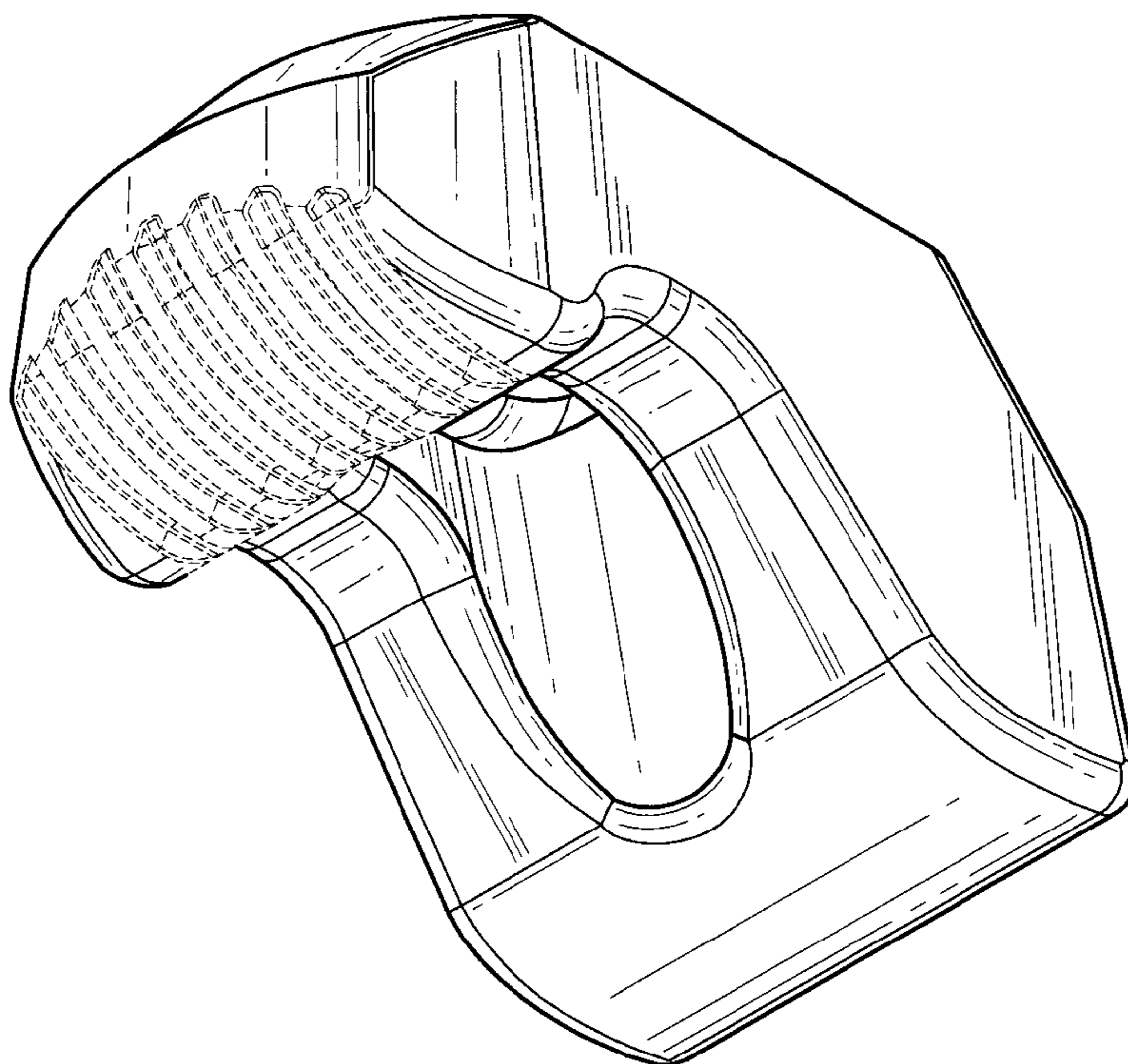
U.S. PATENT DOCUMENTS

D369,960 S \* 5/1996 Rohaly ..... D8/396  
D370,172 S \* 5/1996 Rohaly ..... D8/396  
D380,375 S \* 7/1997 Rohaly ..... D8/394  
D389,051 S \* 1/1998 Caveney ..... 24/16 PB  
D414,401 S \* 9/1999 Aganian ..... D11/218  
D597,393 S \* 8/2009 Klippel ..... D8/72  
D667,855 S \* 9/2012 Kammerer ..... D15/140  
D681,414 S \* 5/2013 Tatic ..... D8/373  
D736,073 S \* 8/2015 Eriksson ..... D8/394  
D736,283 S \* 8/2015 Ries ..... D15/140

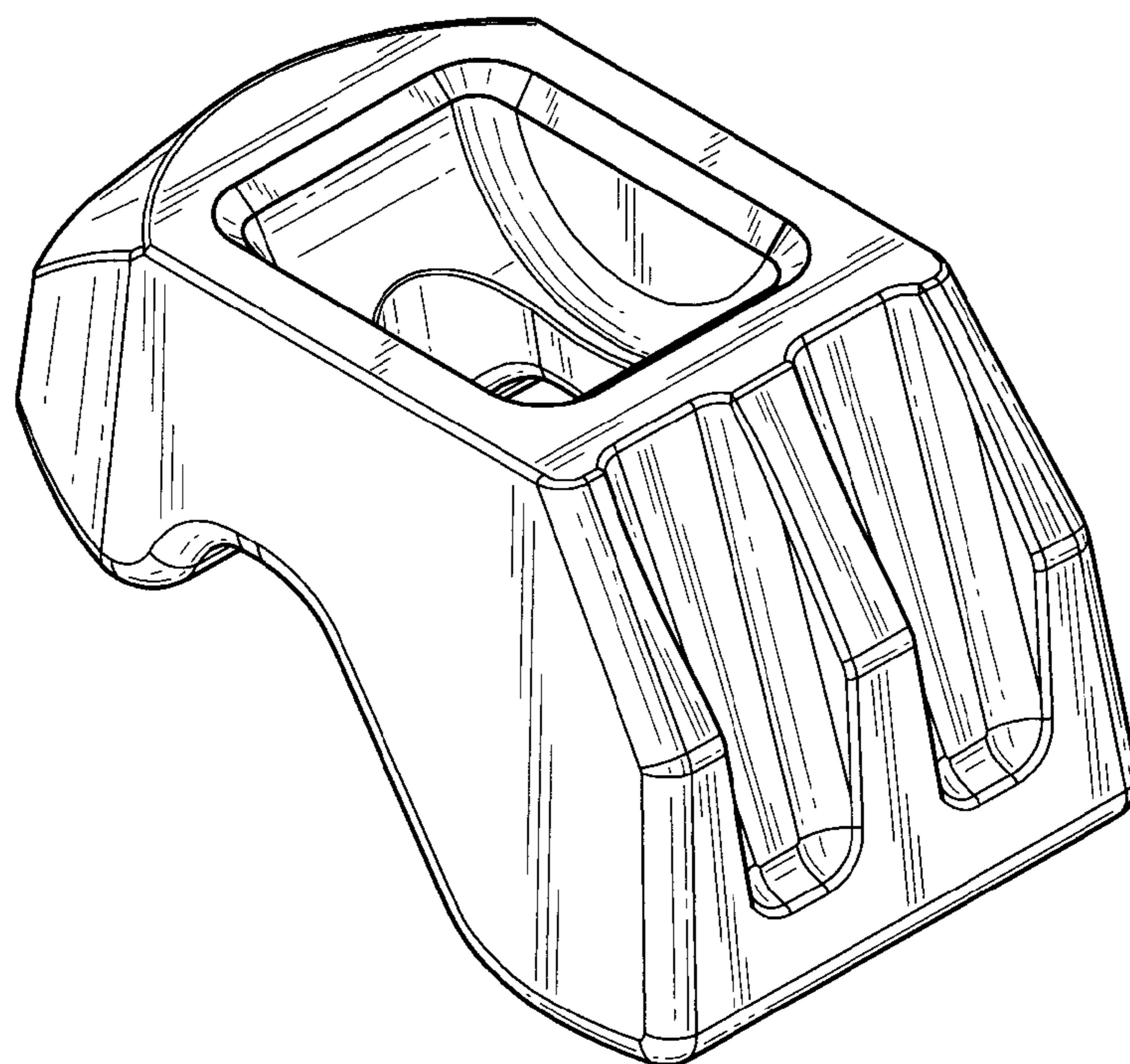
FIG. 1 is a lower left front perspective view of a clamp head showing our new design;  
FIG. 2 is an upper left rear perspective view thereof;  
FIG. 3 is a front elevation view thereof;  
FIG. 4 is a rear elevation view thereof;  
FIG. 5 is a top plan view thereof;  
FIG. 6 is a bottom plan thereof;  
FIG. 7 is a left side elevation view thereof; and,  
FIG. 8 is a right side elevation view thereof.  
The broken lines shown represent unclaimed subject matter and form no part of the claimed design.

**1 Claim, 3 Drawing Sheets**





*FIG. 1*



*FIG. 2*

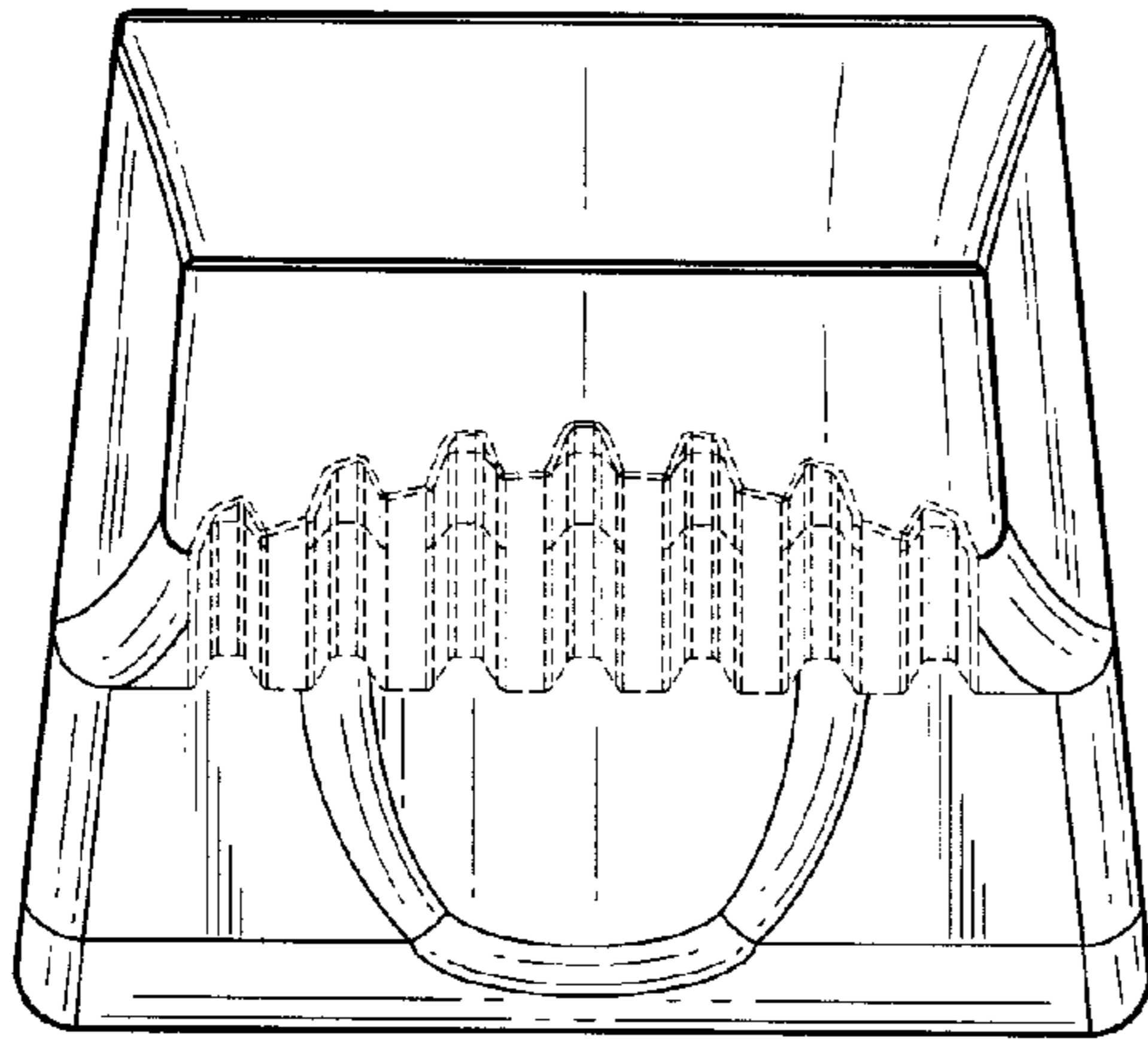


FIG. 3

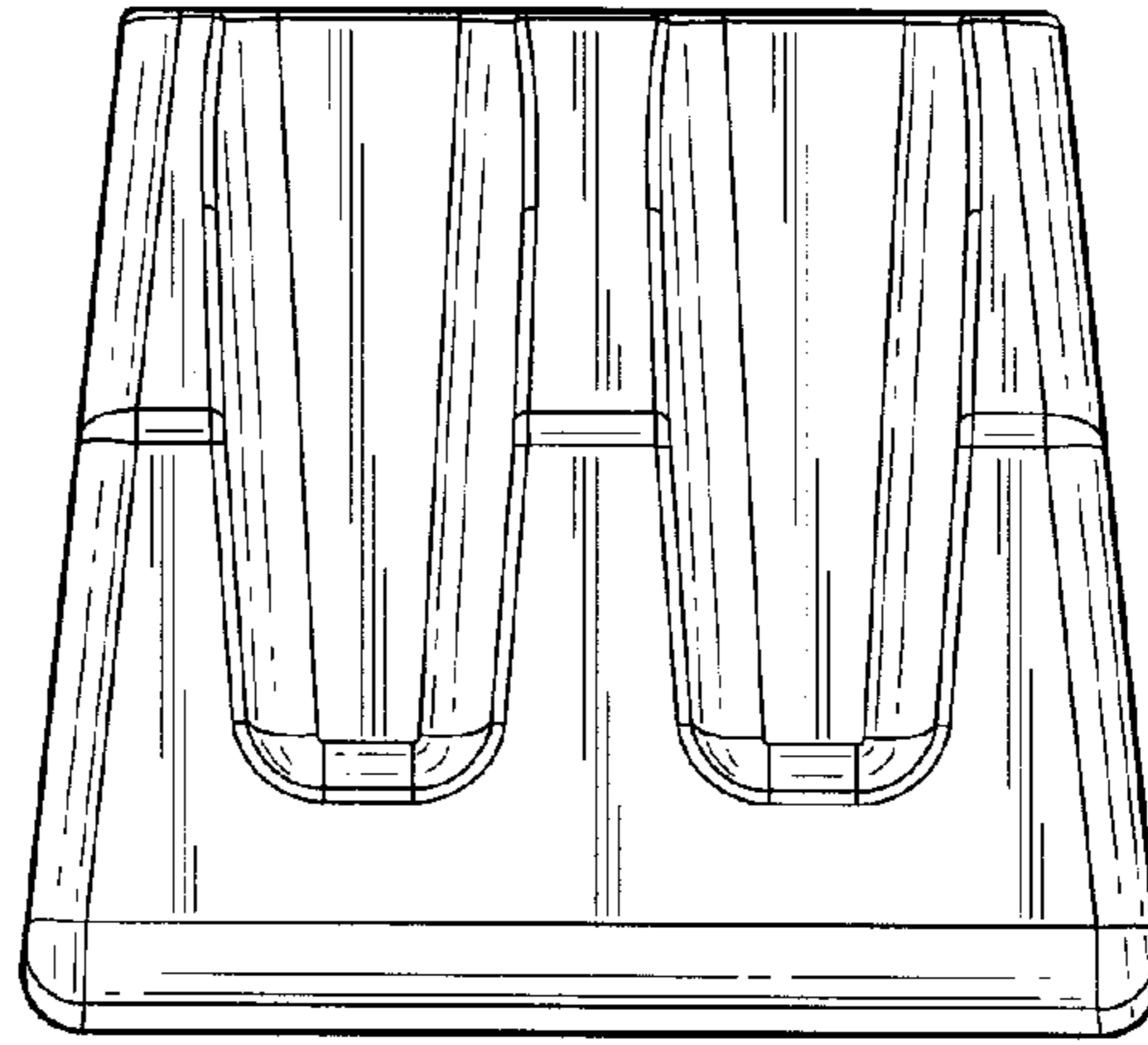


FIG. 4

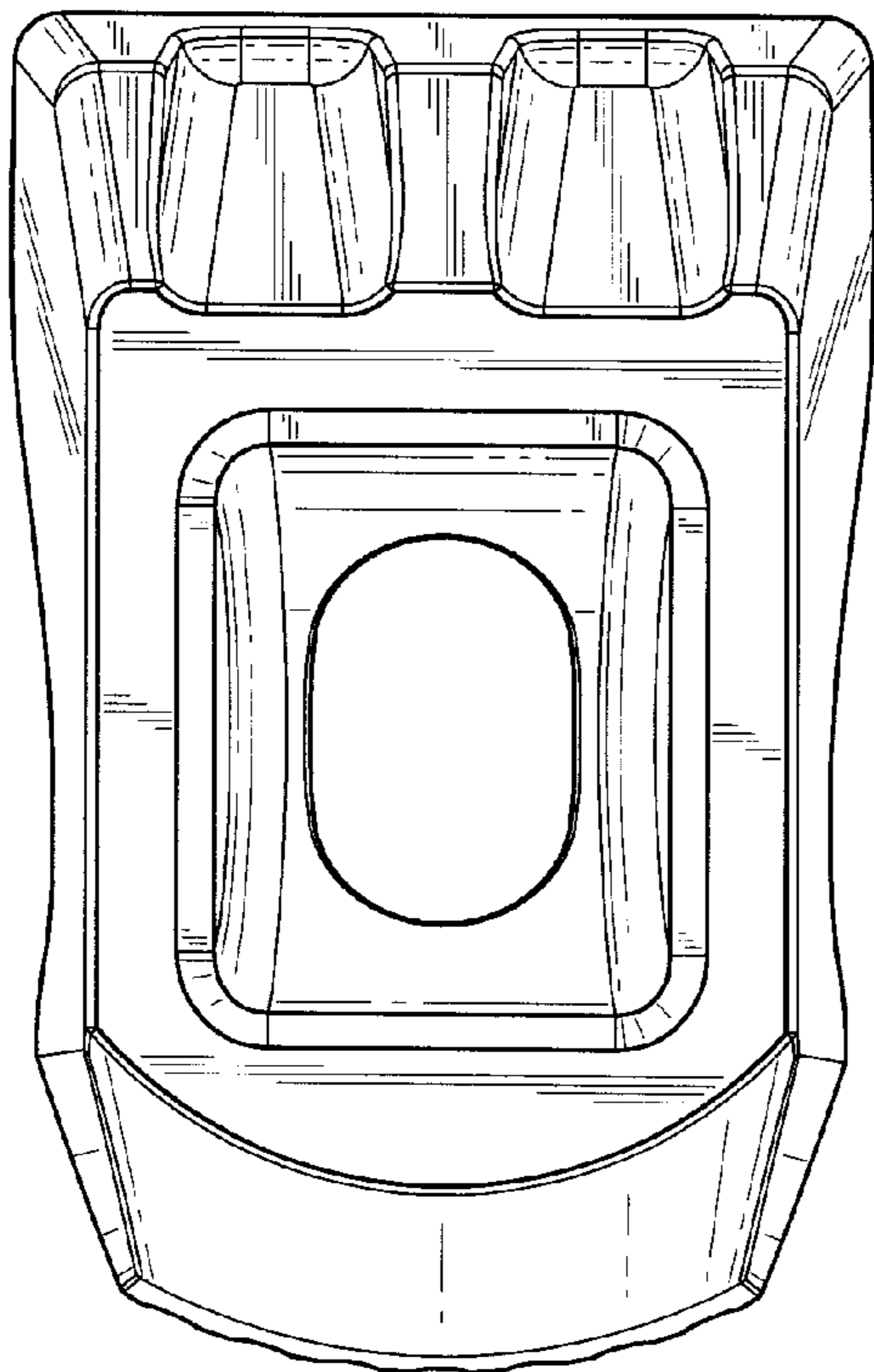


FIG. 5

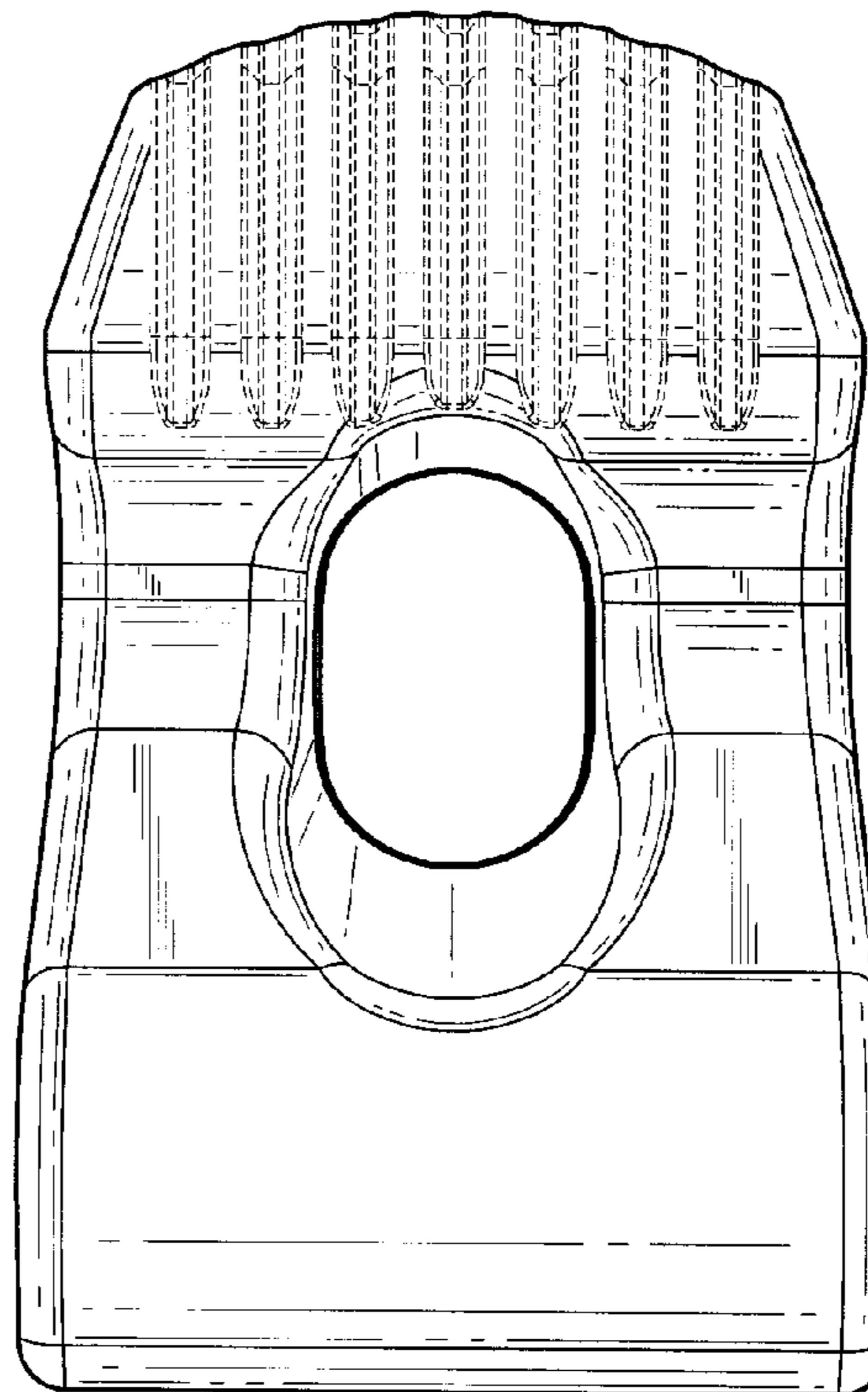
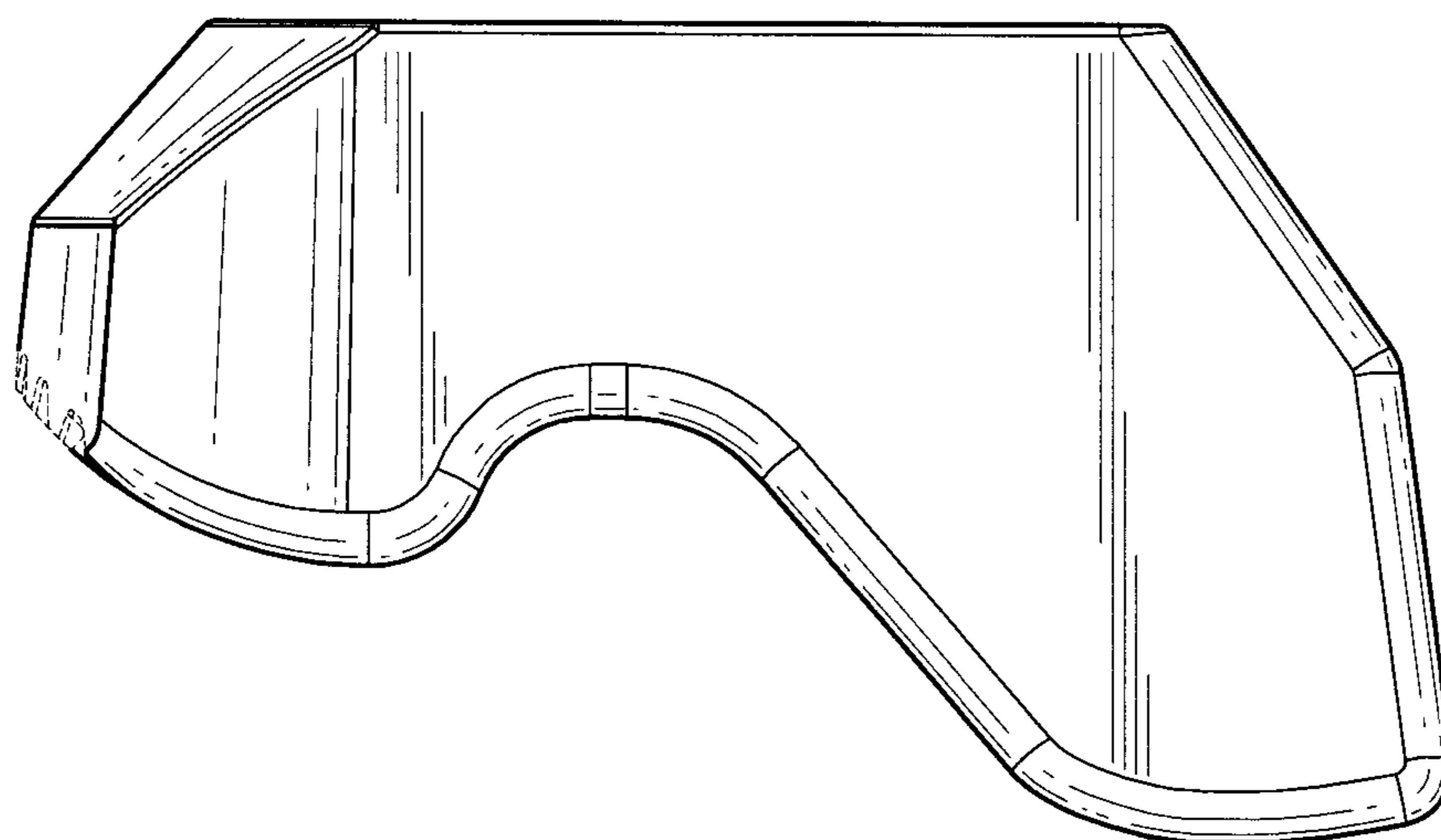
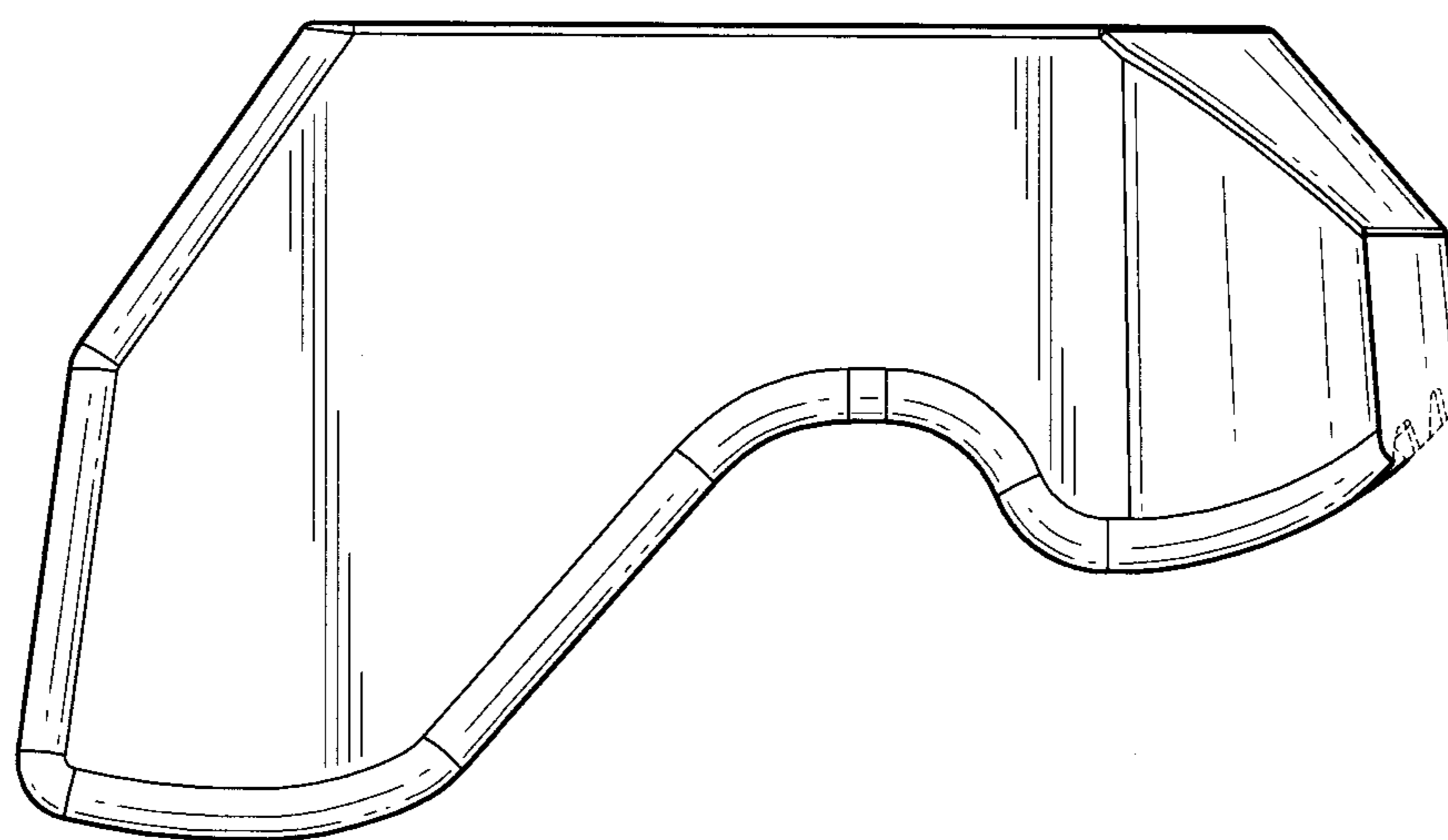


FIG. 6



*FIG. 7*



*FIG. 8*