



US00D762434S

(12) **United States Design Patent**  
**Christopher**

(10) **Patent No.:** **US D762,434 S**

(45) **Date of Patent:** **\*\* Aug. 2, 2016**

(54) **TOOL HANDLE**

(71) Applicant: **Meridian International Co., Ltd.**,  
Songjiang, Shanghai (CN)

(72) Inventor: **Brent Christopher**, Centennial, CO  
(US)

(73) Assignee: **Meridian International Co., Ltd.** (CN)

(\*\*) Term: **15 Years**

(21) Appl. No.: **29/531,086**

(22) Filed: **Jun. 23, 2015**

(30) **Foreign Application Priority Data**

May 20, 2015 (CN) ..... 2015 3 0151463

(51) **LOC (10) Cl.** ..... **08-05**

(52) **U.S. Cl.**  
USPC ..... **D8/52**

(58) **Field of Classification Search**  
USPC ..... D8/4, 5, 51-60, 105, 107  
CPC ..... B25B 7/00; B25B 7/02; B25F 1/003;  
B25G 1/12; Y10T 16/476

See application file for complete search history.

(56) **References Cited**

U.S. PATENT DOCUMENTS

D367,806 S *	3/1996	Neal	.....	D8/52
D468,988 S *	1/2003	Goldmann, II	.....	D8/107
D494,040 S *	8/2004	Phillips	.....	D8/107
D520,845 S *	5/2006	Wlaker	.....	D8/107
D521,348 S *	5/2006	Walker	.....	D8/107
D544,770 S *	6/2007	Yang	.....	D8/52
D577,563 S *	9/2008	Chen	.....	D8/107
D730,707 S *	6/2015	Reedy	.....	D8/52

\* cited by examiner

*Primary Examiner* — Deanna L Pratt

(74) *Attorney, Agent, or Firm* — Jason R. Sytsma;  
Shuttleworth & Ingersoll, PLC

(57) **CLAIM**

The ornamental design for a tool handle, as shown and described.

**DESCRIPTION**

FIG. 1 is a ¾ perspective view of the tool handle according to the invention.

FIG. 2 is a front elevation view of the invention of FIG. 1.

FIG. 3 is a rear elevation view of the invention of FIG. 1.

FIG. 4 is a left side elevation view of the invention of FIG. 1.

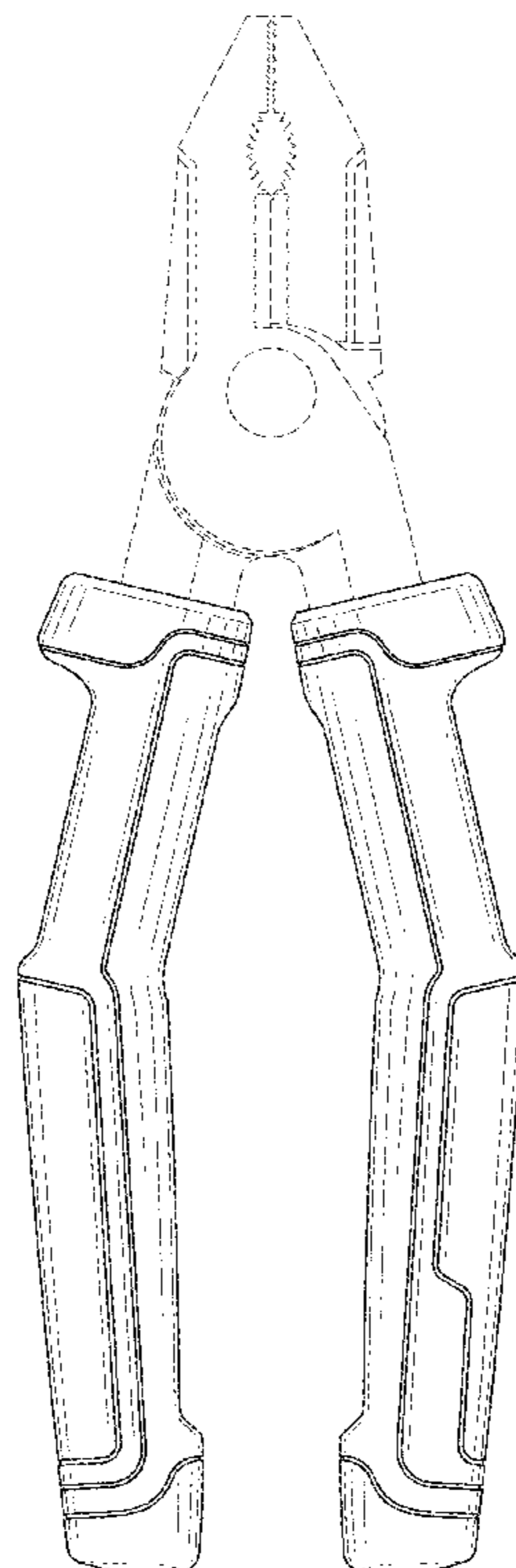
FIG. 5 is a right side elevation view of the invention of FIG. 1.

FIG. 6 is a top plan view of the invention of FIG. 1; and,

FIG. 7 is a bottom plan view of the invention of FIG. 1.

The broken lines are included for the purpose of illustrating the environment in which the claimed invention is being used, which form no part of the claimed design.

**1 Claim, 6 Drawing Sheets**



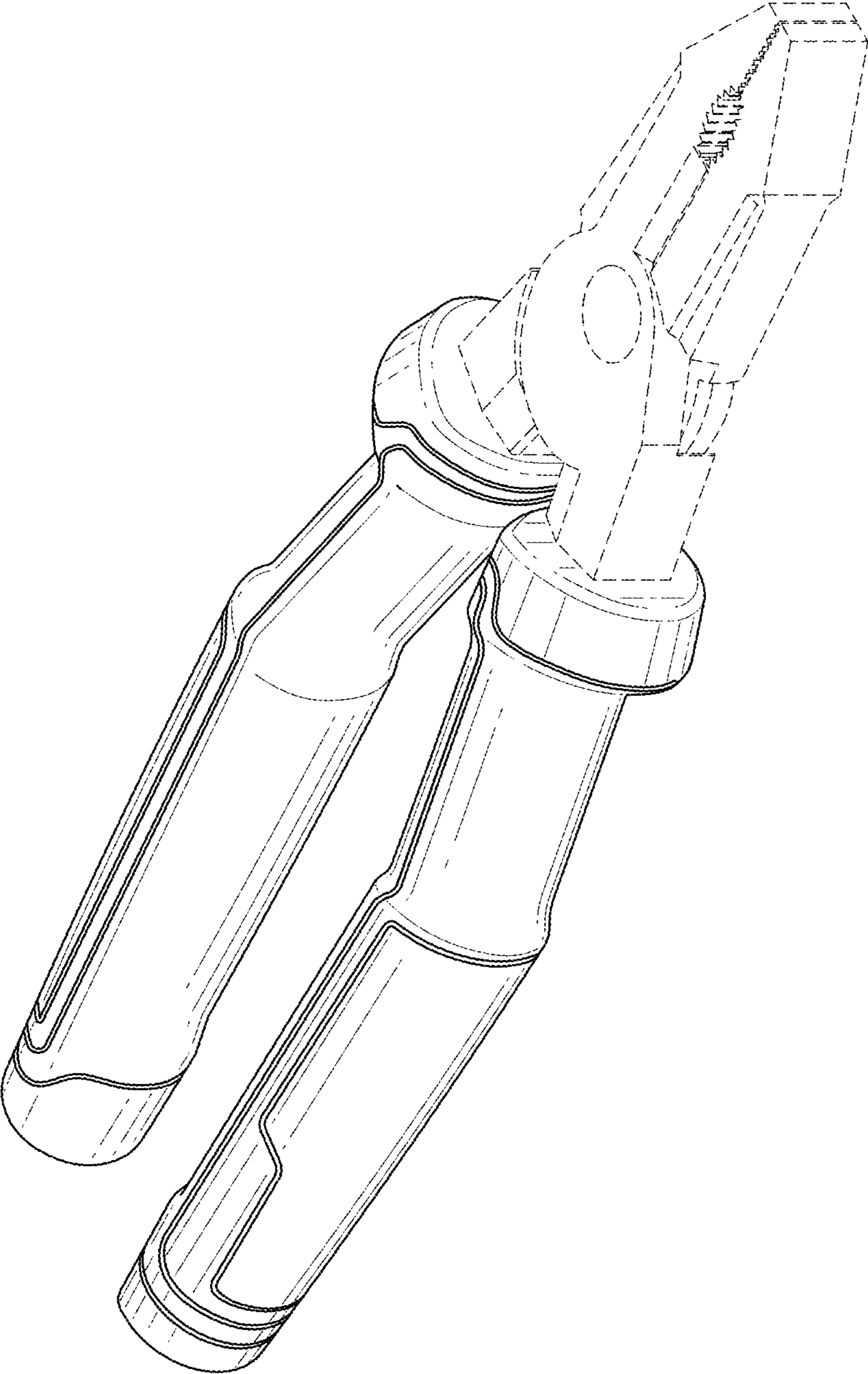


FIG.1

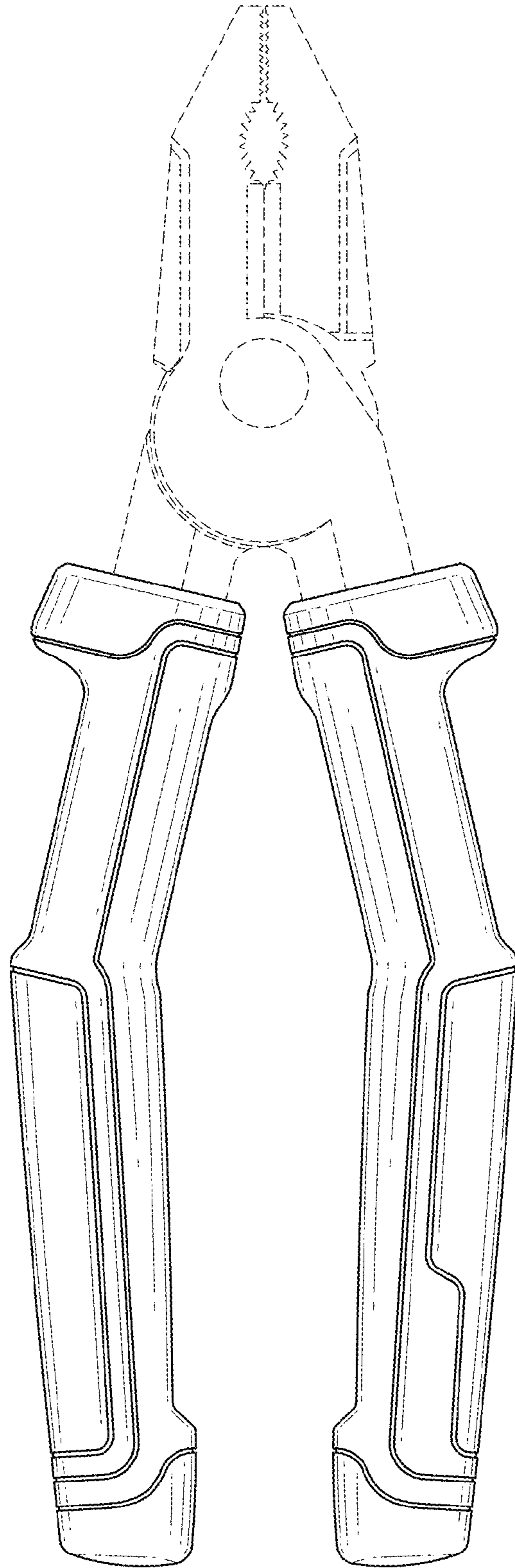


FIG. 2

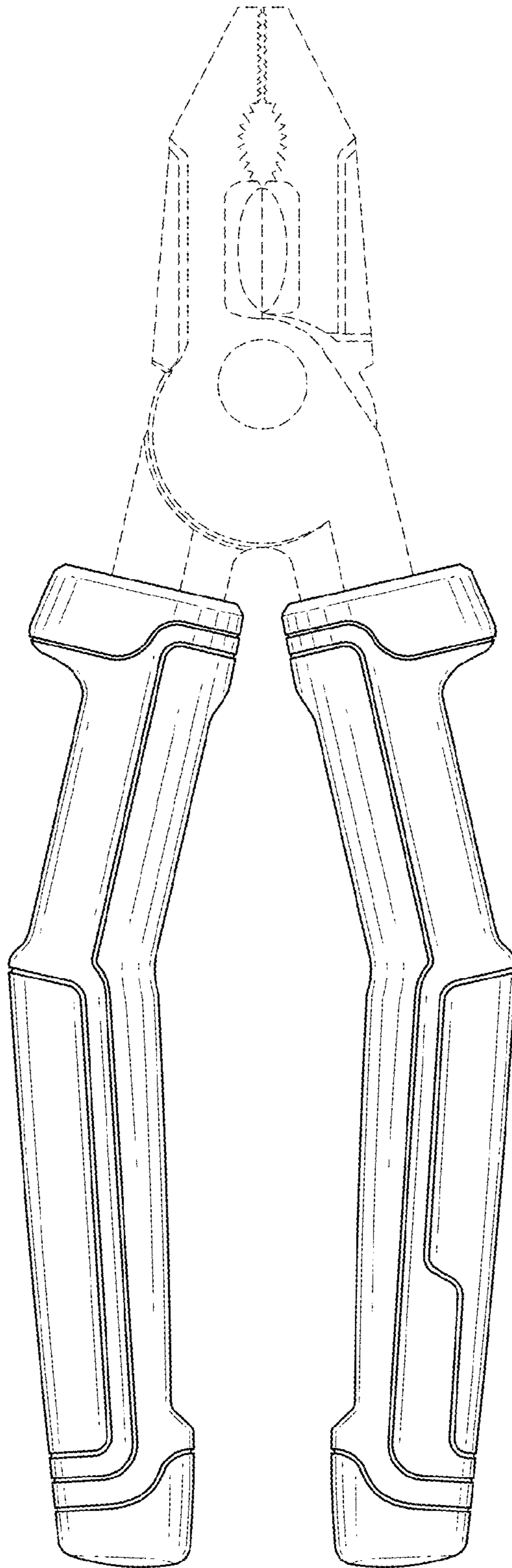


FIG. 3

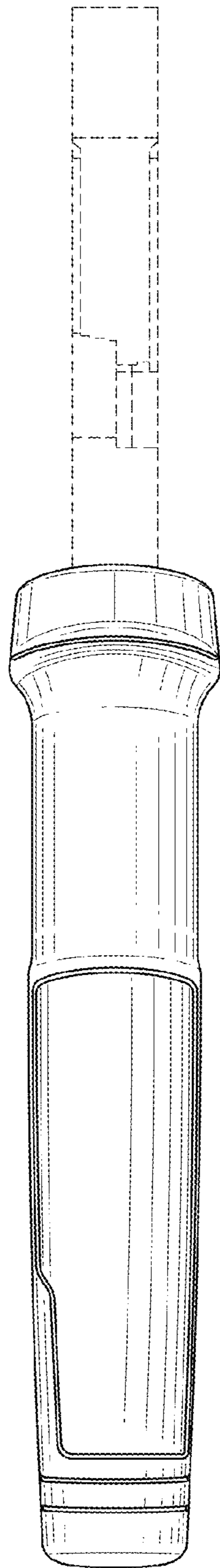


FIG. 4

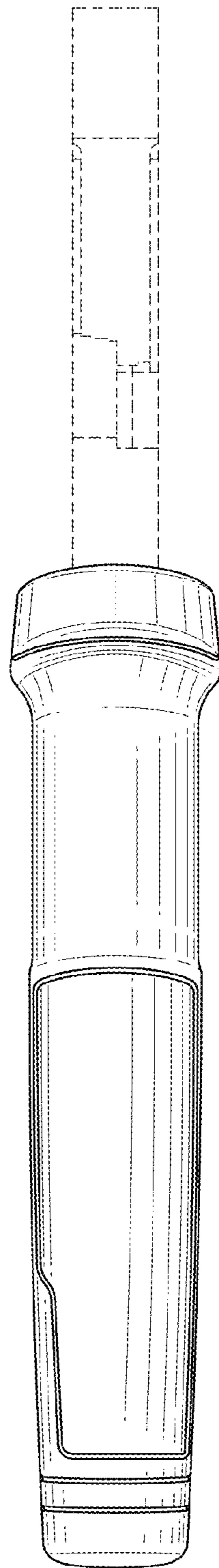


FIG. 5

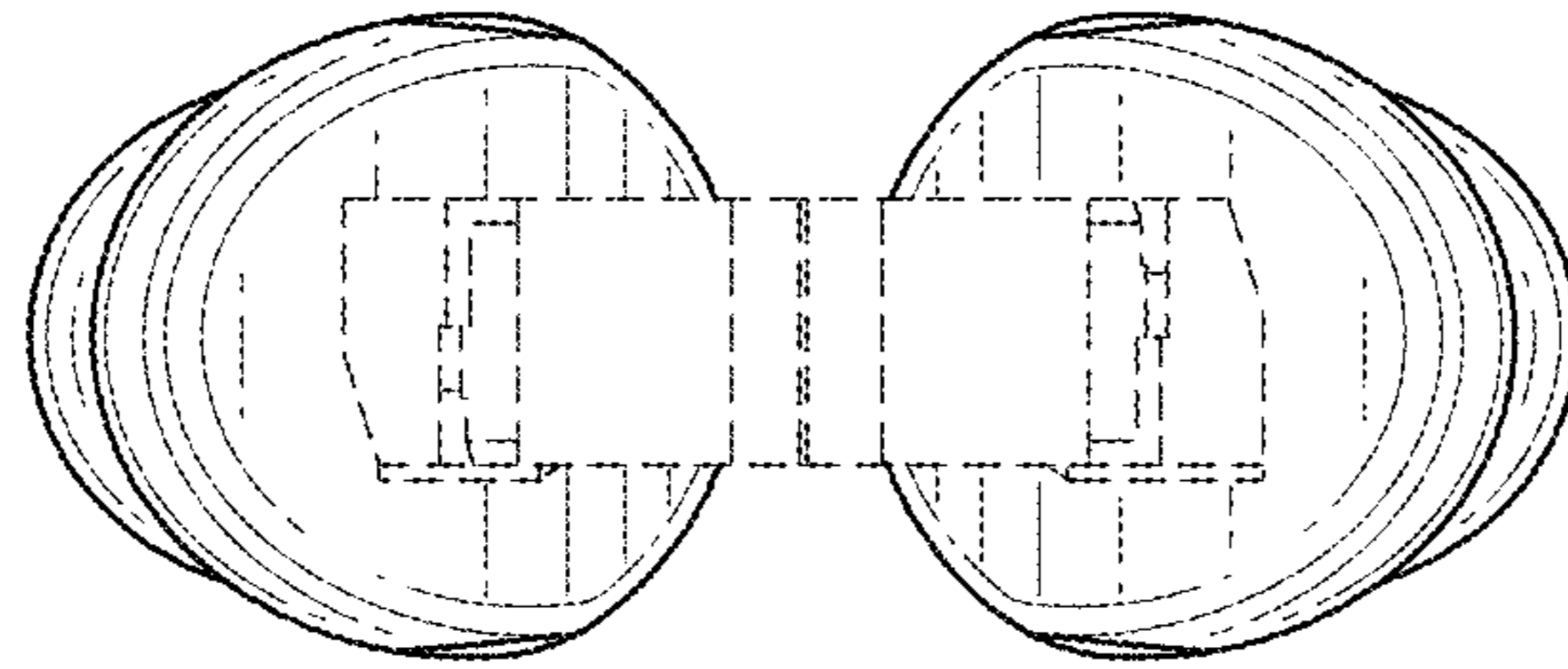


FIG. 6

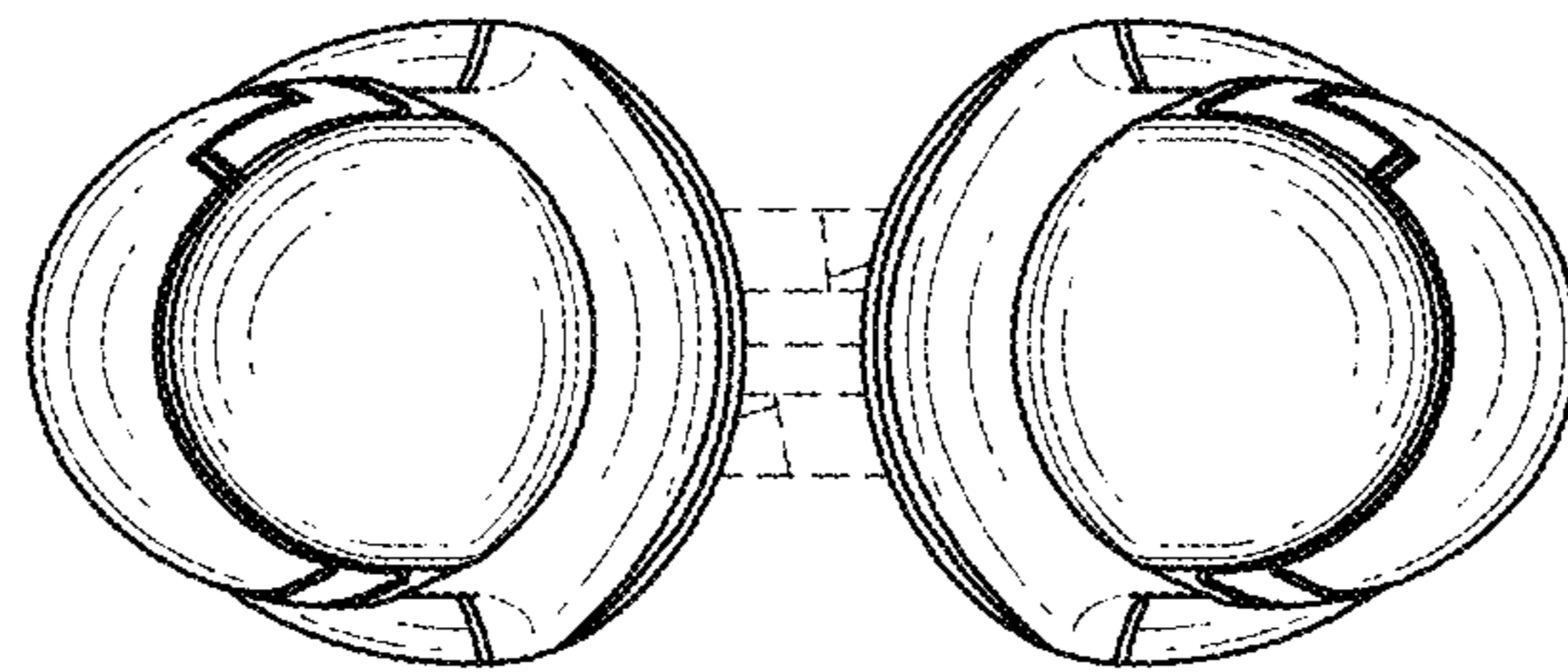


FIG. 7