



US00D762433S

(12) **United States Design Patent**
Yang

(10) **Patent No.:** **US D762,433 S**

(45) **Date of Patent:** **** Aug. 2, 2016**

- (54) **OVERSIZED NIPPERS**
- (71) Applicant: **Xiaojing Yang**, Shanghai (CN)
- (72) Inventor: **Xiaojing Yang**, Shanghai (CN)
- (**) Term: **14 Years**
- (21) Appl. No.: **29/522,195**
- (22) Filed: **Mar. 27, 2015**
- (30) **Foreign Application Priority Data**
 - Nov. 10, 2014 (CN) 2014 3 0438697
 - Nov. 10, 2014 (CN) 2014 3 0438709
 - Nov. 10, 2014 (CN) 2014 3 0438892
- (51) **LOC (10) Cl.** **08-05**
- (52) **U.S. Cl.**
USPC **D8/52; D28/60**
- (58) **Field of Classification Search**
USPC D8/4, 5, 51-60, 105, 107
CPC B25B 7/02; B25B 7/00; B25B 7/18;
B26B 17/00; A45D 29/02
See application file for complete search history.

5,033,195	A *	7/1991	Appelkvist	B26B 17/00 30/175
5,220,856	A *	6/1993	Eggert	B25B 7/08 30/254
D383,654	S *	9/1997	Brantley	D8/52
D424,393	S *	5/2000	Lamond	D8/58
D483,633	S *	12/2003	Jansson	D8/52
6,860,017	B1 *	3/2005	Mennicken	A45D 29/02 29/268
D533,307	S *	12/2006	Ross	D28/60
D563,050	S *	2/2008	Habib	D28/60
D605,012	S *	12/2009	Robinson	D8/52
D645,206	S *	9/2011	Tran	D28/60
D645,207	S *	9/2011	Tran	D28/60
D645,208	S *	9/2011	Tran	D28/60
D677,432	S *	3/2013	Remy	D28/60
D689,356	S *	9/2013	Yang	D8/107
2009/0078278	A1 *	3/2009	Tran	A45D 29/02 132/75.5

* cited by examiner

Primary Examiner — Deanna L Pratt

(74) *Attorney, Agent, or Firm* — St Onge Steward Johnston and Reens LLC

(57) **CLAIM**

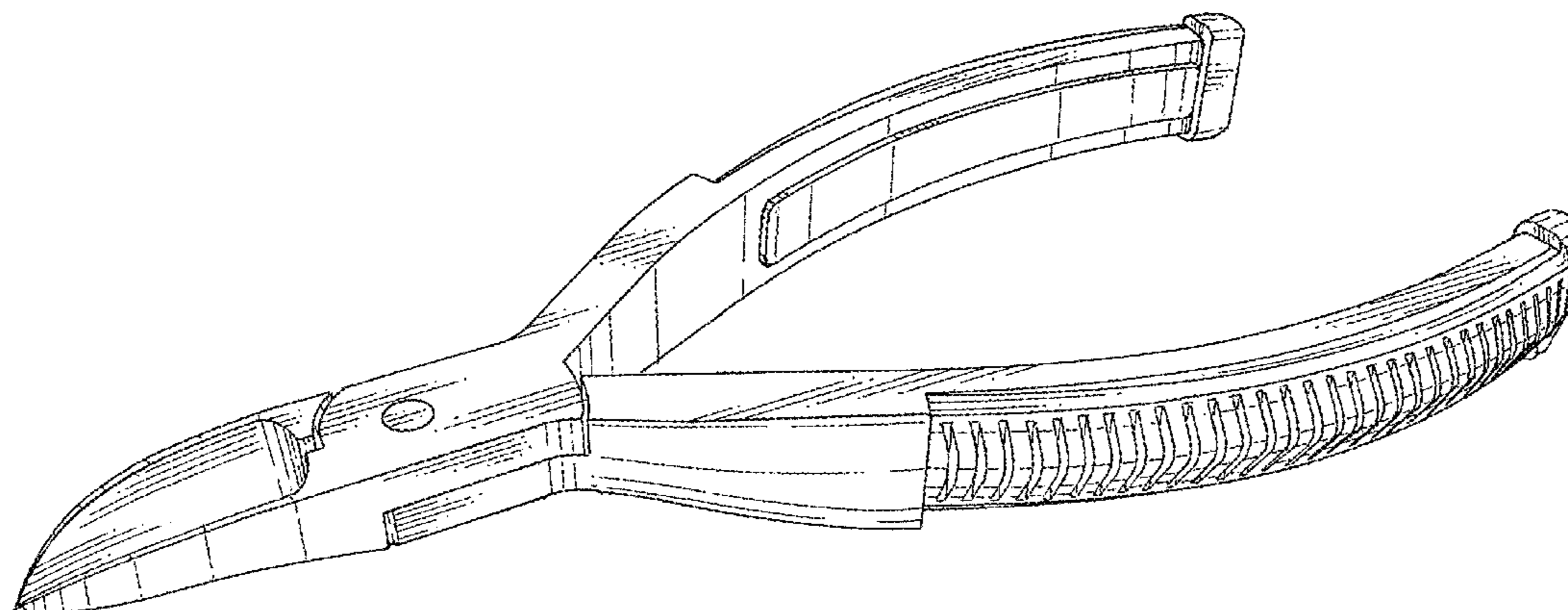
The ornamental design for oversized nippers, as shown and described.

DESCRIPTION

FIG. 1 is a front right side isometric view of oversized nippers in accordance with the new design;
FIG. 2 is a front elevational view thereof;
FIG. 3 is a rear elevational view thereof;
FIG. 4 is a right side elevational view thereof;
FIG. 5 is a left side elevational view thereof;
FIG. 6 is a top plan view thereof; and,
FIG. 7 is a bottom plan view thereof.

1 Claim, 6 Drawing Sheets

- (56) **References Cited**
U.S. PATENT DOCUMENTS
- 2,239,314 A * 4/1941 Connors B26B 17/00
30/186
- D177,537 S * 4/1956 Schinske D8/58
- 2,939,214 A * 6/1960 Andersson A61B 17/00
29/525.14
- 3,398,451 A * 8/1968 Angquist B26B 17/00
30/186
- D268,002 S * 2/1983 Brunosson D8/58
- 4,790,070 A * 12/1988 Olson B23D 29/023
29/450
- D308,736 S * 6/1990 Pina D28/60



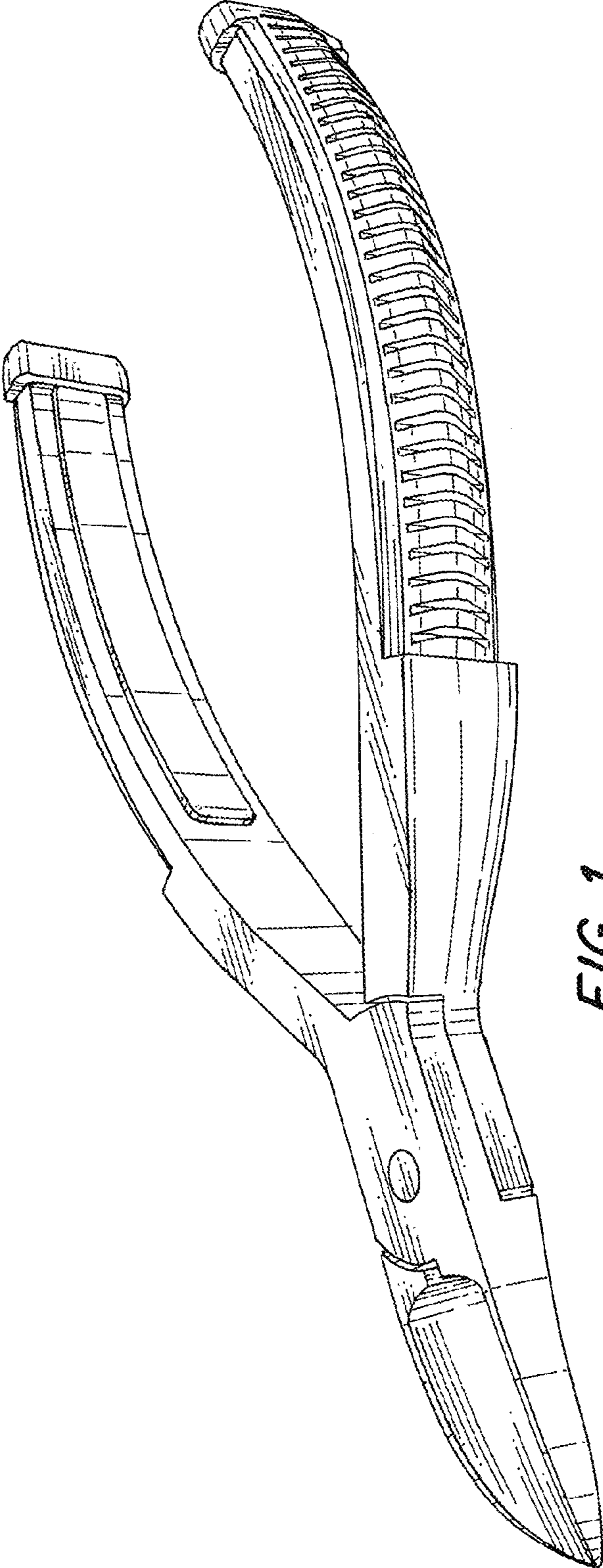


FIG. 1

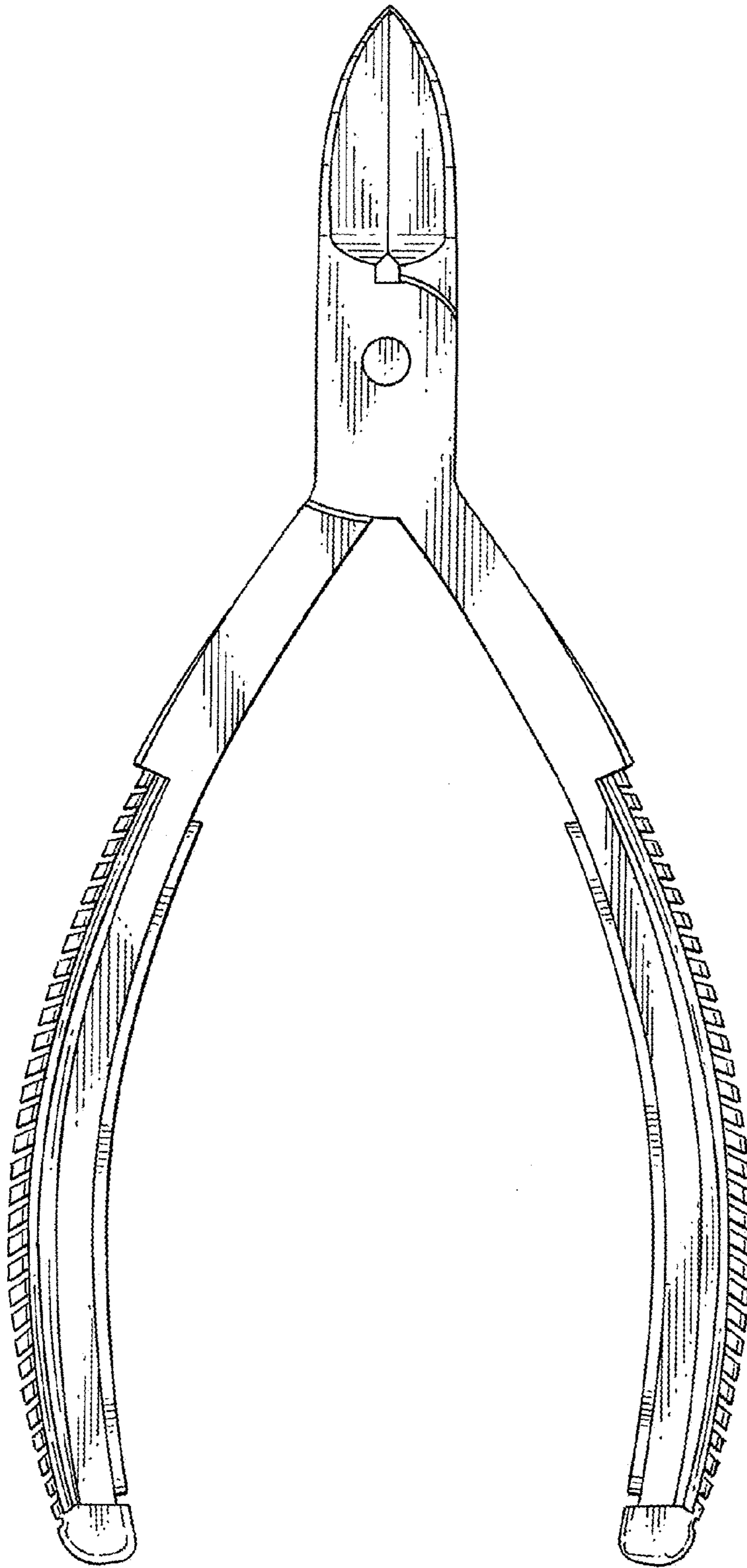


FIG. 2

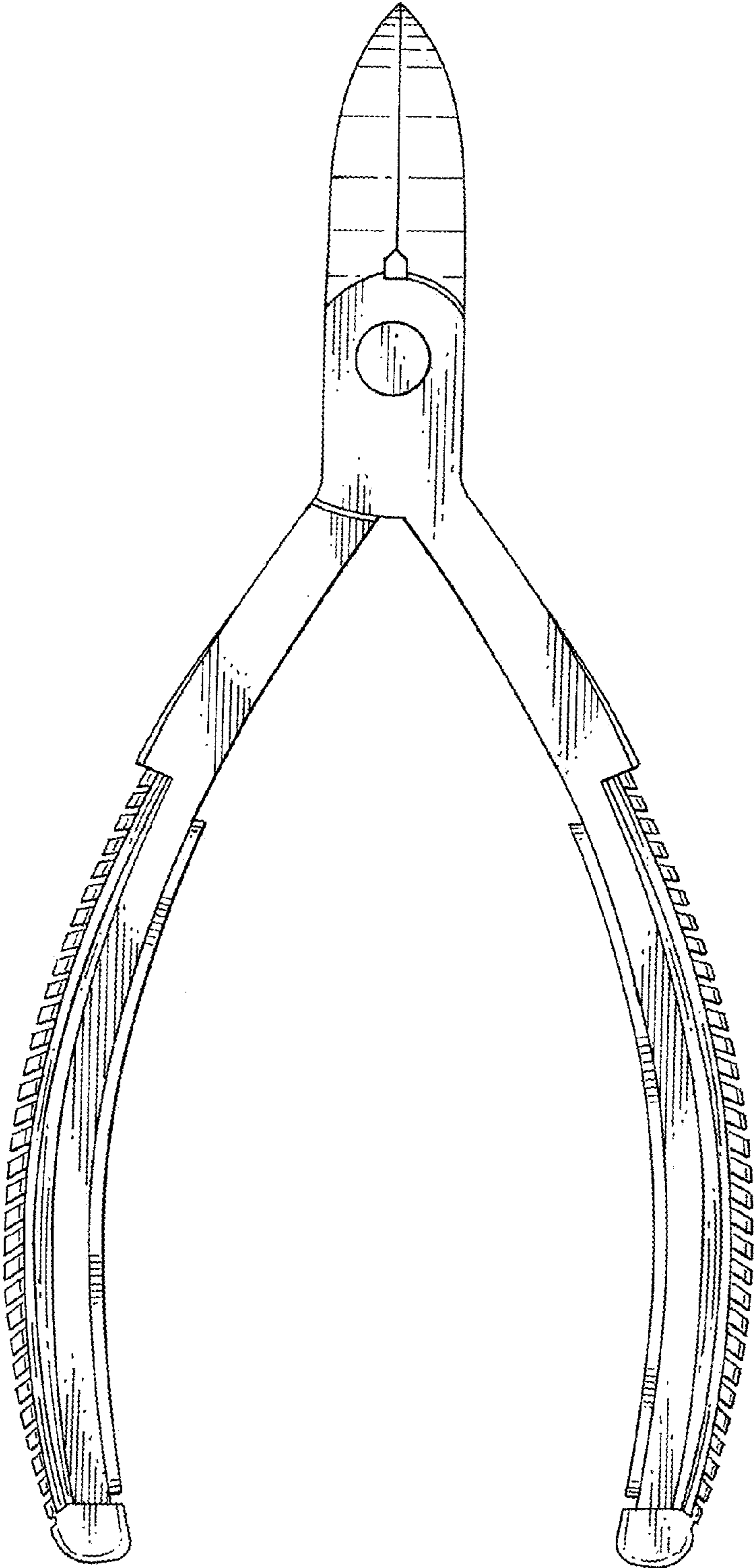


FIG. 3

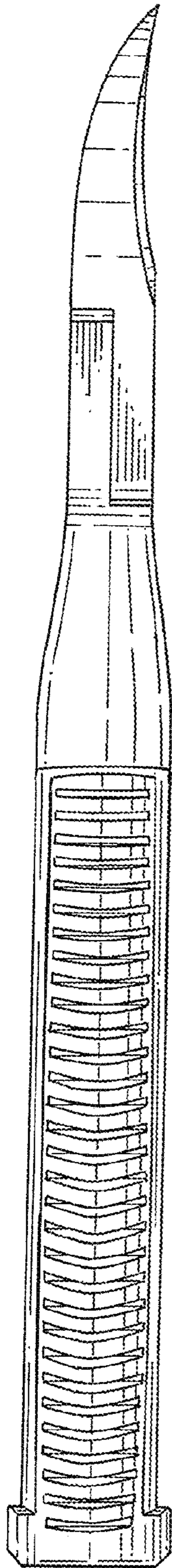


FIG. 4

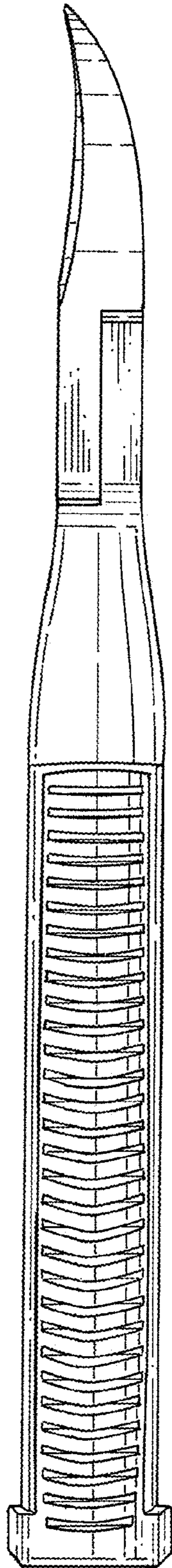


FIG. 5

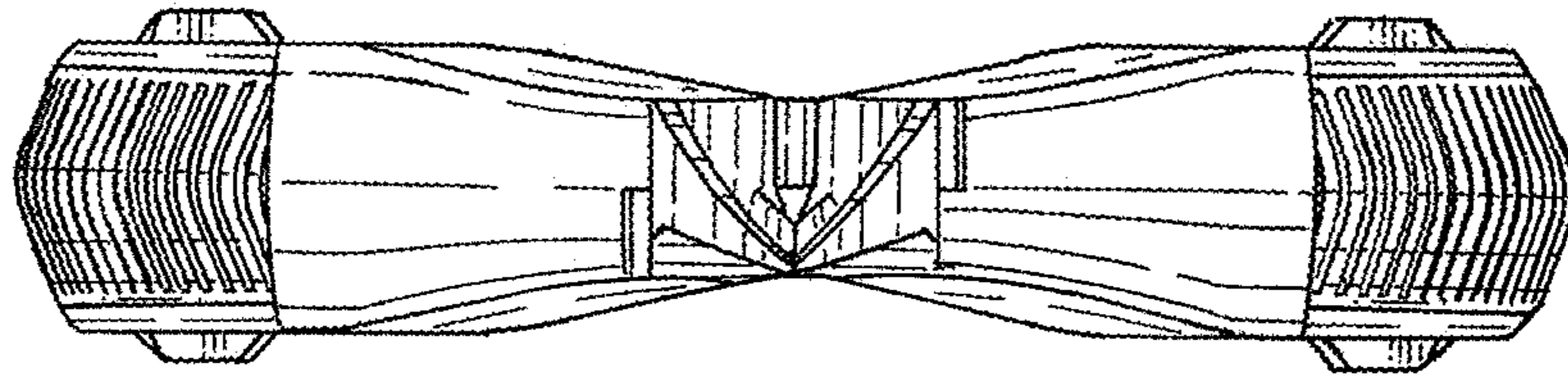


FIG. 6

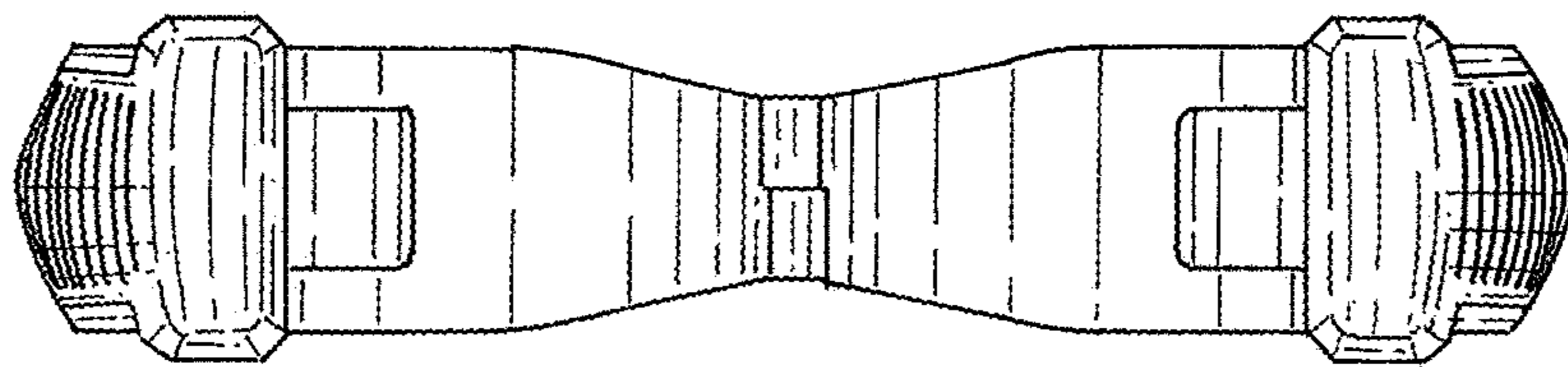


FIG. 7