



US00D762432S

(12) **United States Design Patent**  
**Stanley**

(10) **Patent No.:** **US D762,432 S**

(45) **Date of Patent:** **\*\* Aug. 2, 2016**

(54) **PTO DRIVELINE SHAFT ALIGNMENT TOOL**

(71) Applicant: **Edward C. Stanley**, Parker, TX (US)

(72) Inventor: **Edward C. Stanley**, Parker, TX (US)

(\*\*) Term: **15 Years**

(21) Appl. No.: **29/545,843**

(22) Filed: **Nov. 16, 2015**

(51) **LOC (10) Cl.** ..... **08-05**

(52) **U.S. Cl.**  
USPC ..... **D8/21**

(58) **Field of Classification Search**  
USPC ..... D8/17, 21-29; 81/58, 58.2, 119, 124.4,  
81/125.1, 186

CPC ..... B25B 13/02; B25B 13/08; B25B 13/04;  
B25B 13/065

See application file for complete search history.

(56) **References Cited**

**U.S. PATENT DOCUMENTS**

1,763,353	A *	6/1930	Heller	.....	B25B 13/02 81/125.1
2,334,069	A *	11/1943	Collins	.....	B25B 13/02 81/119
2,539,262	A *	1/1951	Moore	.....	B25B 13/48 81/119
3,309,948	A *	3/1967	Falken	.....	B21F 11/00 81/9.51
D259,233	S *	5/1981	Dobias	.....	D8/21
D308,806	S *	6/1990	Chieffo	.....	D8/21
D351,975	S *	11/1994	Brunner	.....	D8/21

D464,239	S *	10/2002	Hamlin	.....	D8/27
D650,645	S *	12/2011	Dosch	.....	D8/21
D694,078	S *	11/2013	Dumaine	.....	D8/21
8,893,587	B2 *	11/2014	Lai	.....	B25B 13/46 81/126
9,009,943	B2	4/2015	Noel		

\* cited by examiner

*Primary Examiner* — Randall Gholson

(74) *Attorney, Agent, or Firm* — Wei Wei Jeang; Grable Martin Fulton PLLC

(57) **CLAIM**

The ornamental design for a PTO driveline shaft alignment tool, as shown and described.

**DESCRIPTION**

FIG. 1 is a front perspective view showing a PTO driveline shaft alignment tool;

FIG. 2 is a front view thereof;

FIG. 3 is a back view thereof;

FIG. 4 is a first end view thereof;

FIG. 5 is a second end view opposite that of FIG. 4 thereof;

FIG. 6 is a top view thereof;

FIG. 7 is a bottom view thereof;

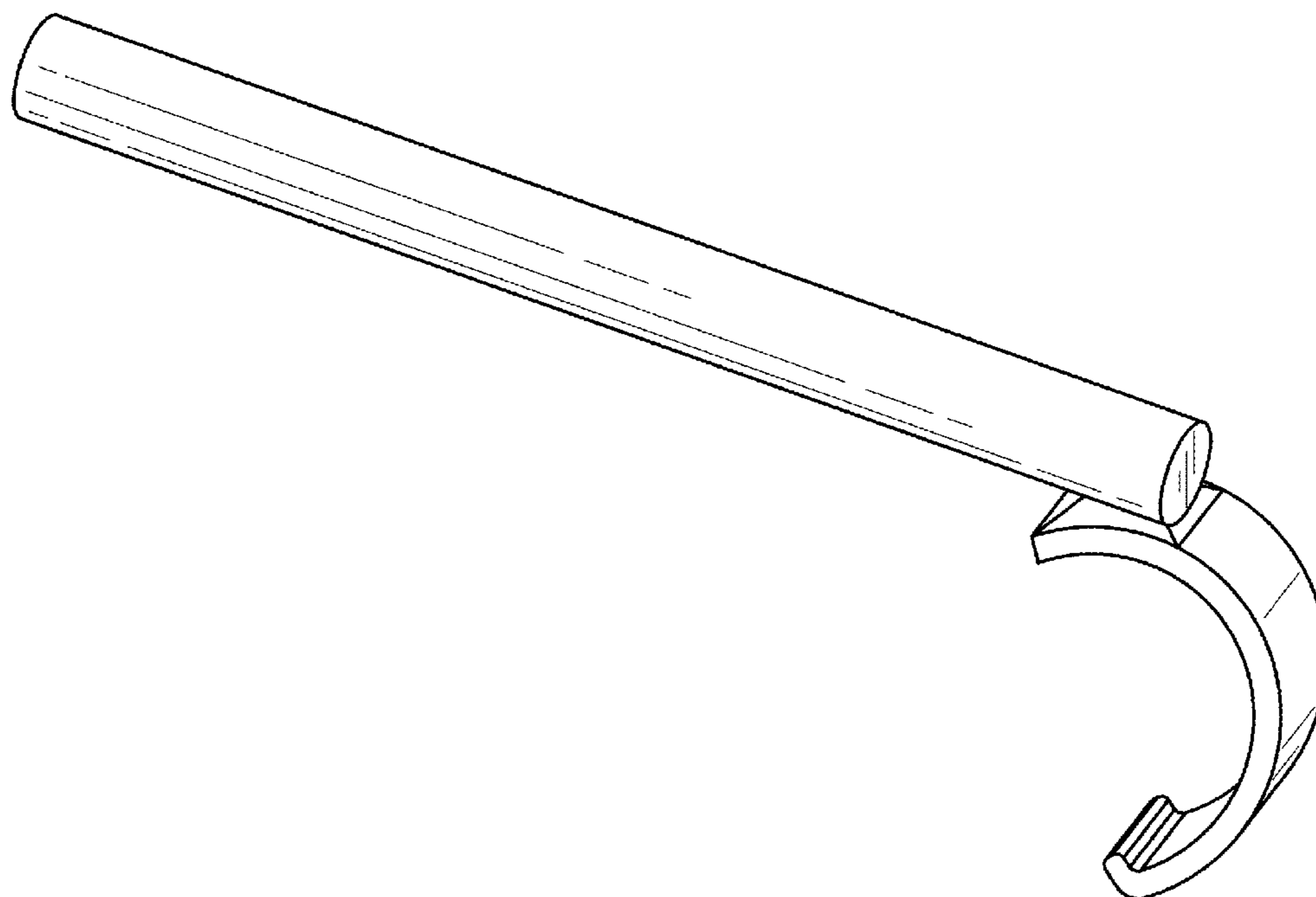
FIG. 8 is a front perspective view thereof being applied to a PTO driveline shaft;

FIG. 9 is a front view of thereof being applied to a PTO driveline shaft; and,

FIG. 10 is a second end view thereof being applied to a PTO driveline shaft.

The broken lines shown in the drawings show unclaimed subject matter only and form no part of the claimed design.

**1 Claim, 6 Drawing Sheets**



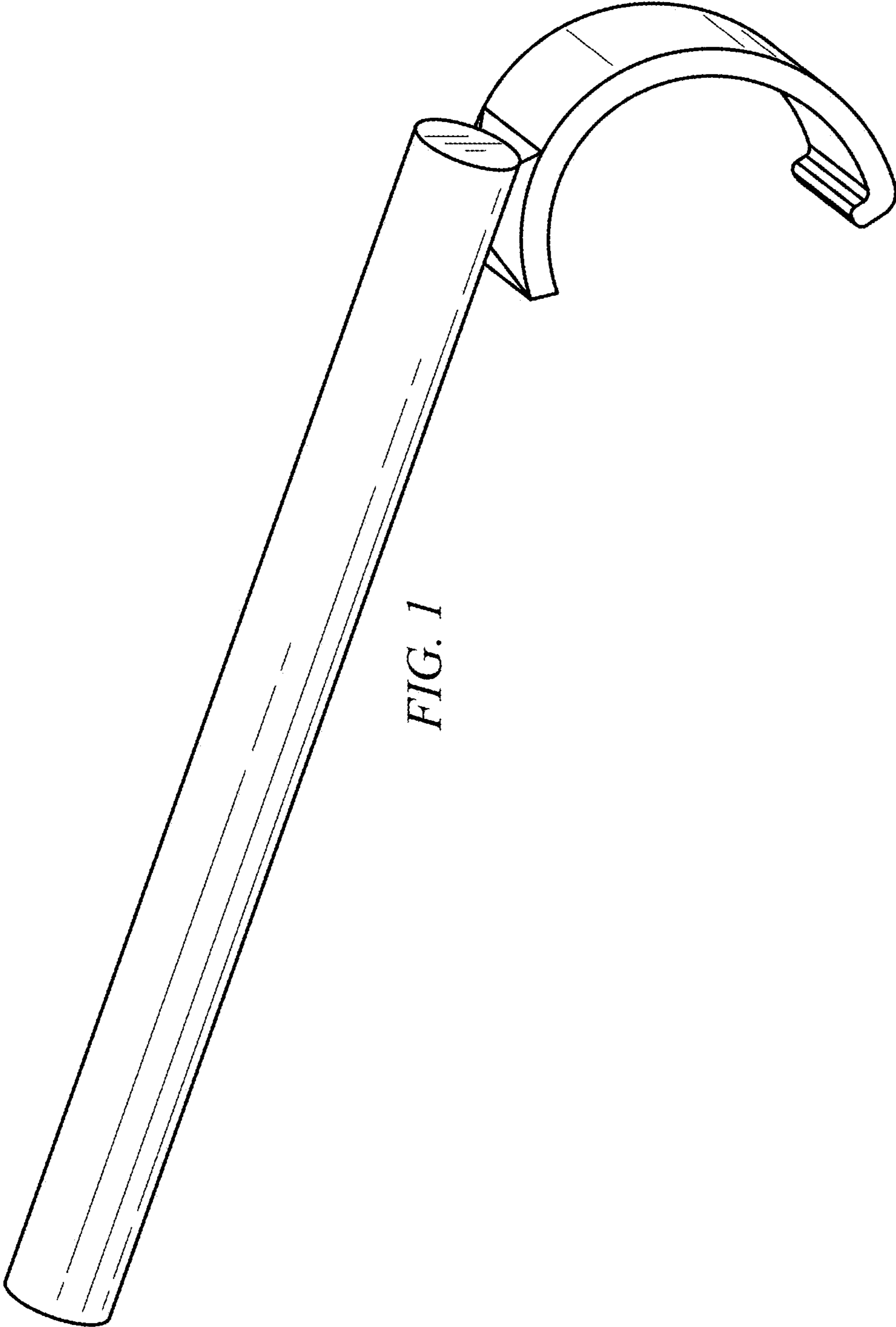


FIG. 1

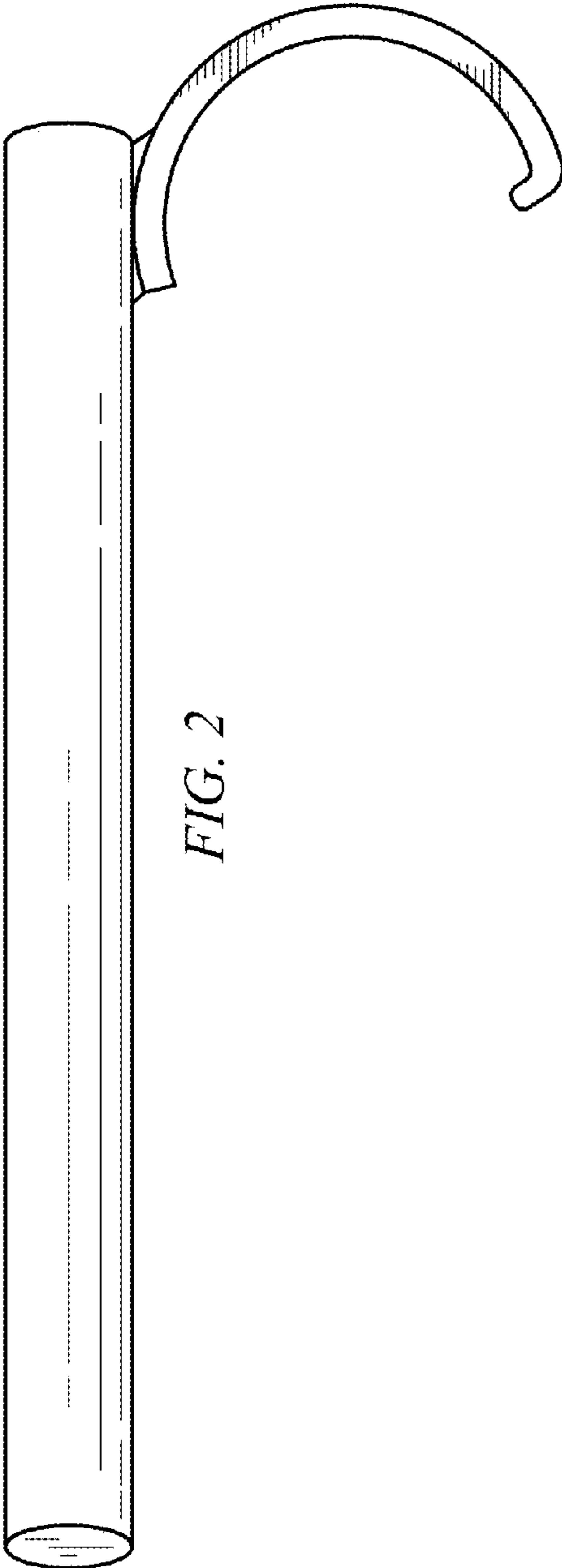


FIG. 2

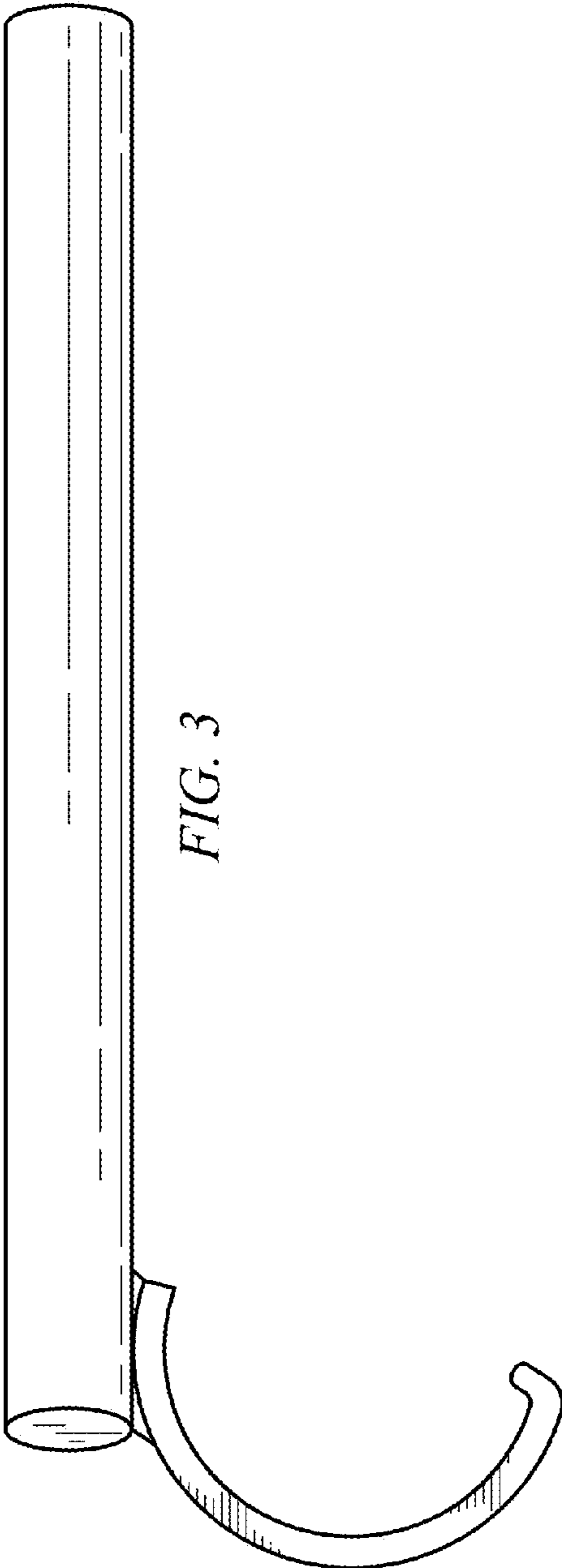
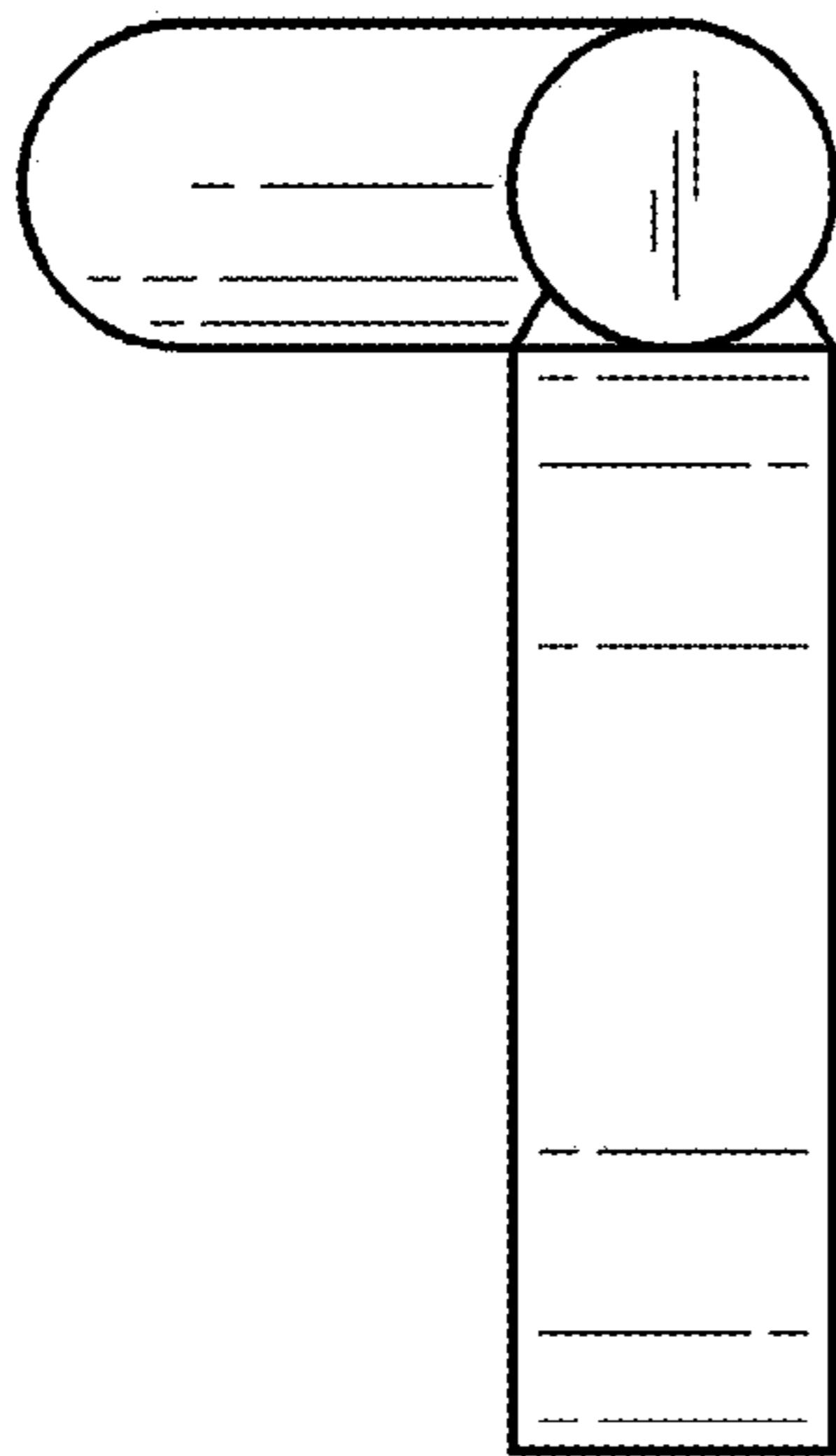
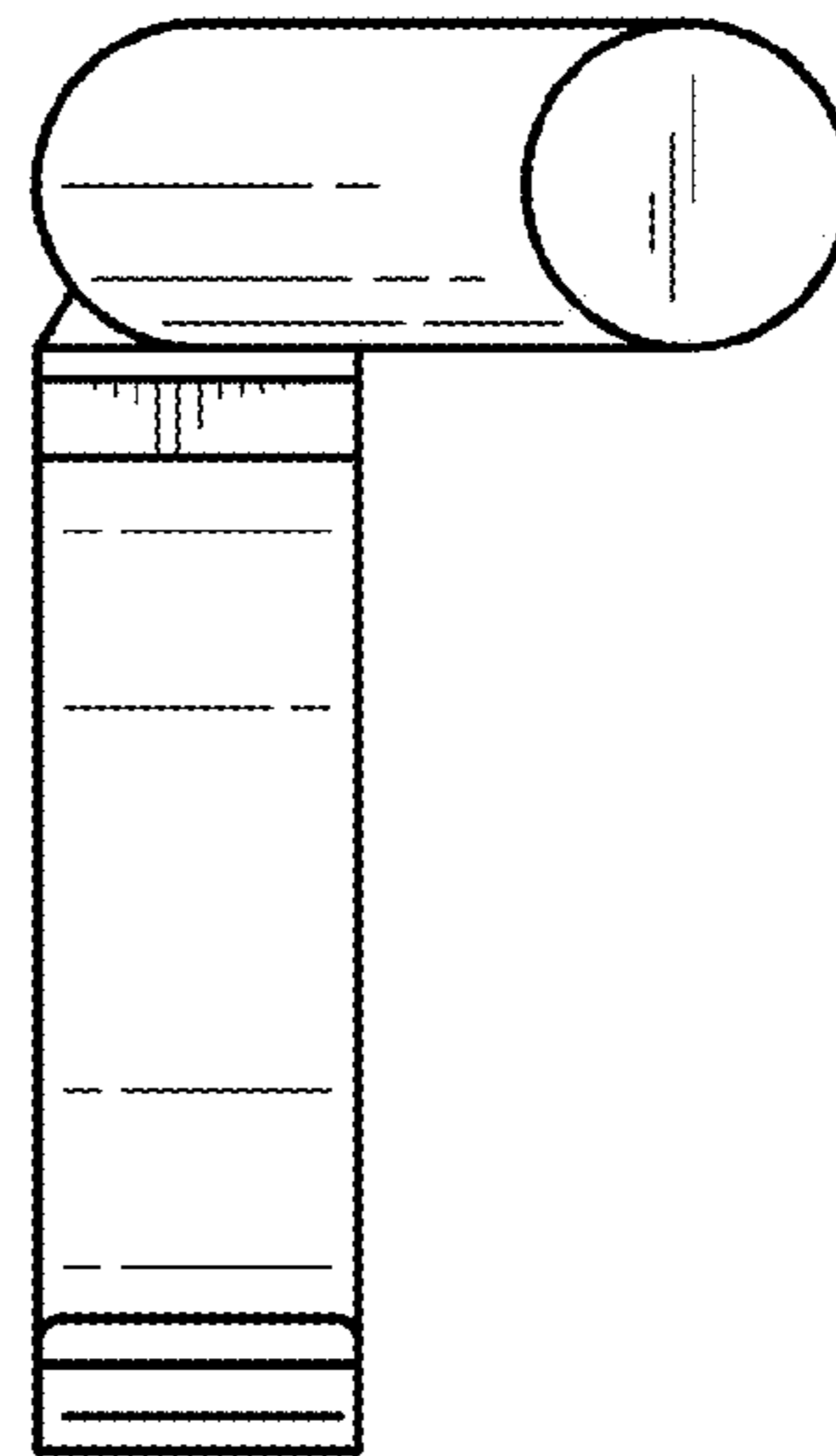


FIG. 3



*FIG. 4*



*FIG. 5*



FIG. 6



FIG. 7

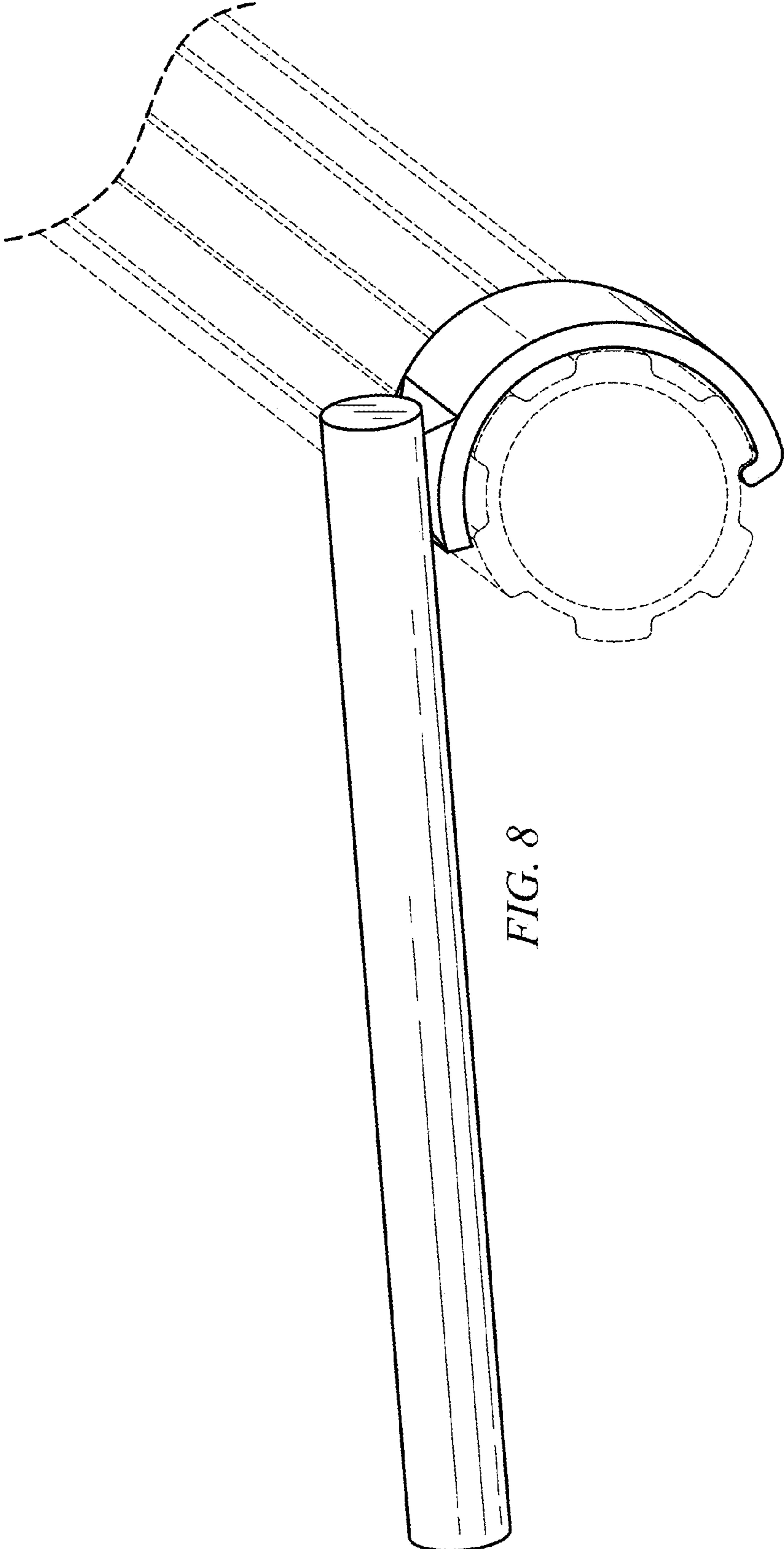


FIG. 8

