



US00D762431S

(12) **United States Design Patent**
Lee et al.

(10) **Patent No.:** **US D762,431 S**
(45) **Date of Patent:** **** Aug. 2, 2016**

(54) **LIGHTWEIGHT APPLICATOR SYSTEM FOR EFFICIENT EXTRUSIVE DISPENSING OF WORK MATERIAL**

(71) Applicant: **PATENT & INVESTMENT LLC**, Jessup, MD (US)

(72) Inventors: **Albert Lee**, Clarksville, MD (US);
Huang-Cheng Yeh, Taichung (TW)

(73) Assignee: **Patent & Investment LLC**, Jessup, MD (US)

(**) Term: **14 Years**

(21) Appl. No.: **29/517,565**

(22) Filed: **Feb. 13, 2015**

Related U.S. Application Data

(63) Continuation of application No. 13/836,972, filed on Mar. 15, 2013, now Pat. No. 8,985,403.

(51) **LOC (10) Cl.** **08-05**

(52) **U.S. Cl.**
USPC **D8/14.1**

(58) **Field of Classification Search**
USPC D8/14.1, 51, 14
CPC B05C 1/00; B05C 17/00; B05C 21/00;
B05C 17/01; B05C 17/0123
See application file for complete search history.

(56) **References Cited**

U.S. PATENT DOCUMENTS

4,072,254 A * 2/1978 Cox G01F 11/026
222/391
4,356,938 A * 11/1982 Kayser B05C 17/0123
222/327
D285,895 S * 9/1986 Cox D8/14.1
D354,208 S * 1/1995 Vega D8/14.1
D388,672 S * 1/1998 Kelders D8/14.1
5,711,312 A * 1/1998 Staudinger A61F 13/062
128/845

5,887,765 A * 3/1999 Broesamle B05C 17/01
222/391
D511,077 S * 11/2005 Huang D8/14.1
7,073,691 B2 * 7/2006 Rumrill B05C 17/01
222/327
7,398,899 B2 * 7/2008 Chang B05C 17/01
16/430
D640,517 S * 6/2011 Rumrill D8/14.1
D654,768 S * 2/2012 Rumrill D8/14.1

* cited by examiner

Primary Examiner — Phillip S Hyder

(74) *Attorney, Agent, or Firm* — Rosenberg, Klein & Lee

(57) **CLAIM**

The ornamental design for a lightweight applicator system for efficient extrusive dispensing of work material, as shown and described.

DESCRIPTION

FIG. 1 is a frontal perspective view from an exemplary embodiment of a lightweight applicator system for efficient extrusive dispensing of work material illustratively incorporating our present design;

FIG. 2 is a rear perspective view from a lower side thereof;

FIG. 3 is a bottom perspective view thereof;

FIG. 4 is a rear perspective view from an upper side thereof;

FIG. 5 is a left side elevational view of the lightweight applicator system for efficient extrusive dispensing of work material of FIG. 1;

FIG. 6 is a right side elevational view thereof;

FIG. 7 is a bottom plan view of the lightweight applicator system for efficient extrusive dispensing of work material of FIG. 1;

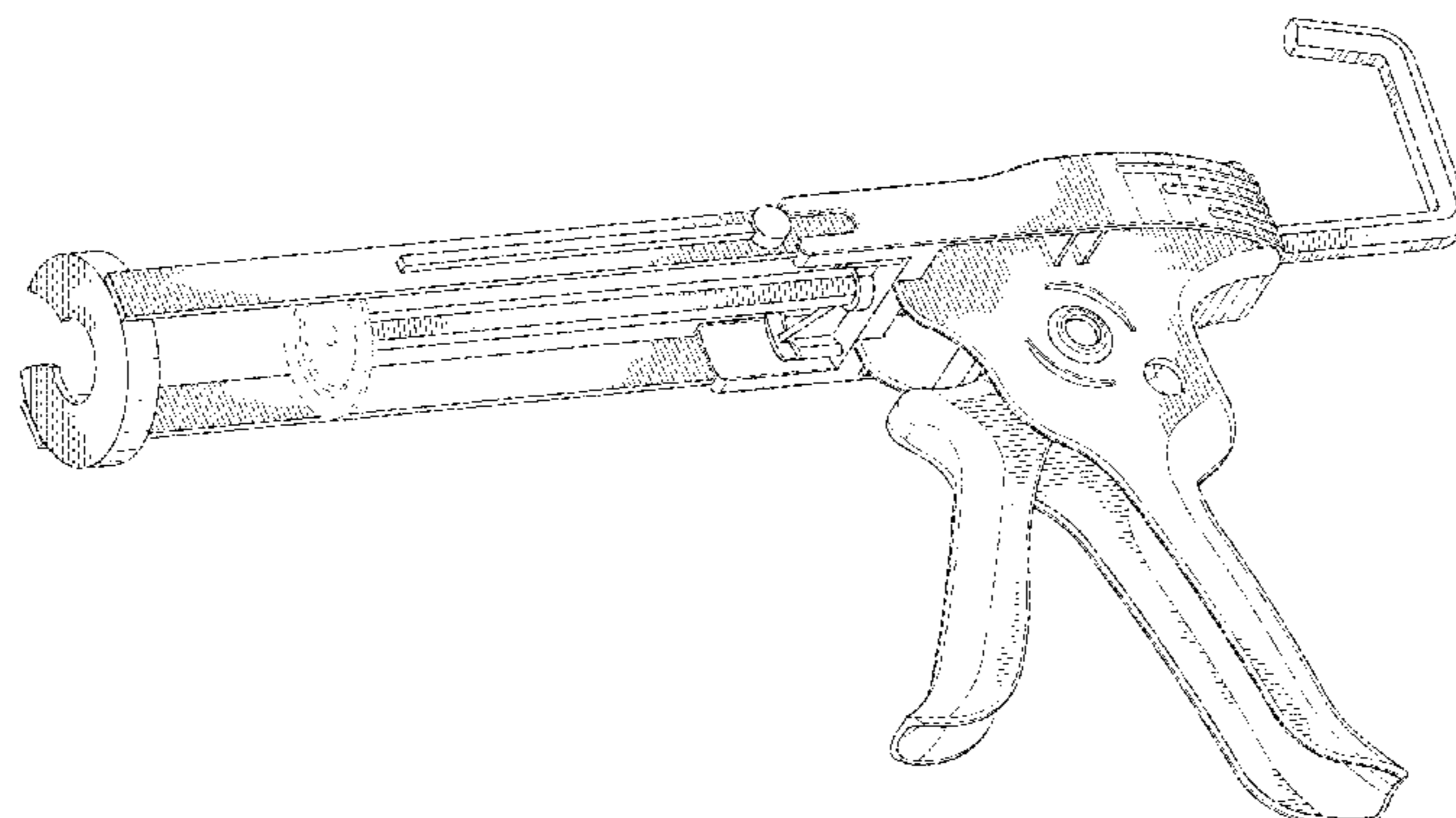
FIG. 8 is a top plan view thereof;

FIG. 9 is a rear elevational view of the lightweight applicator system for efficient extrusive dispensing of work material of FIG. 1; and,

FIG. 10 is a front elevational view thereof.

The broken lines in each of the FIGS. 1-10 are directed to environment and are shown for illustrative purposes only; the broken lines form no part of the claimed design.

1 Claim, 10 Drawing Sheets



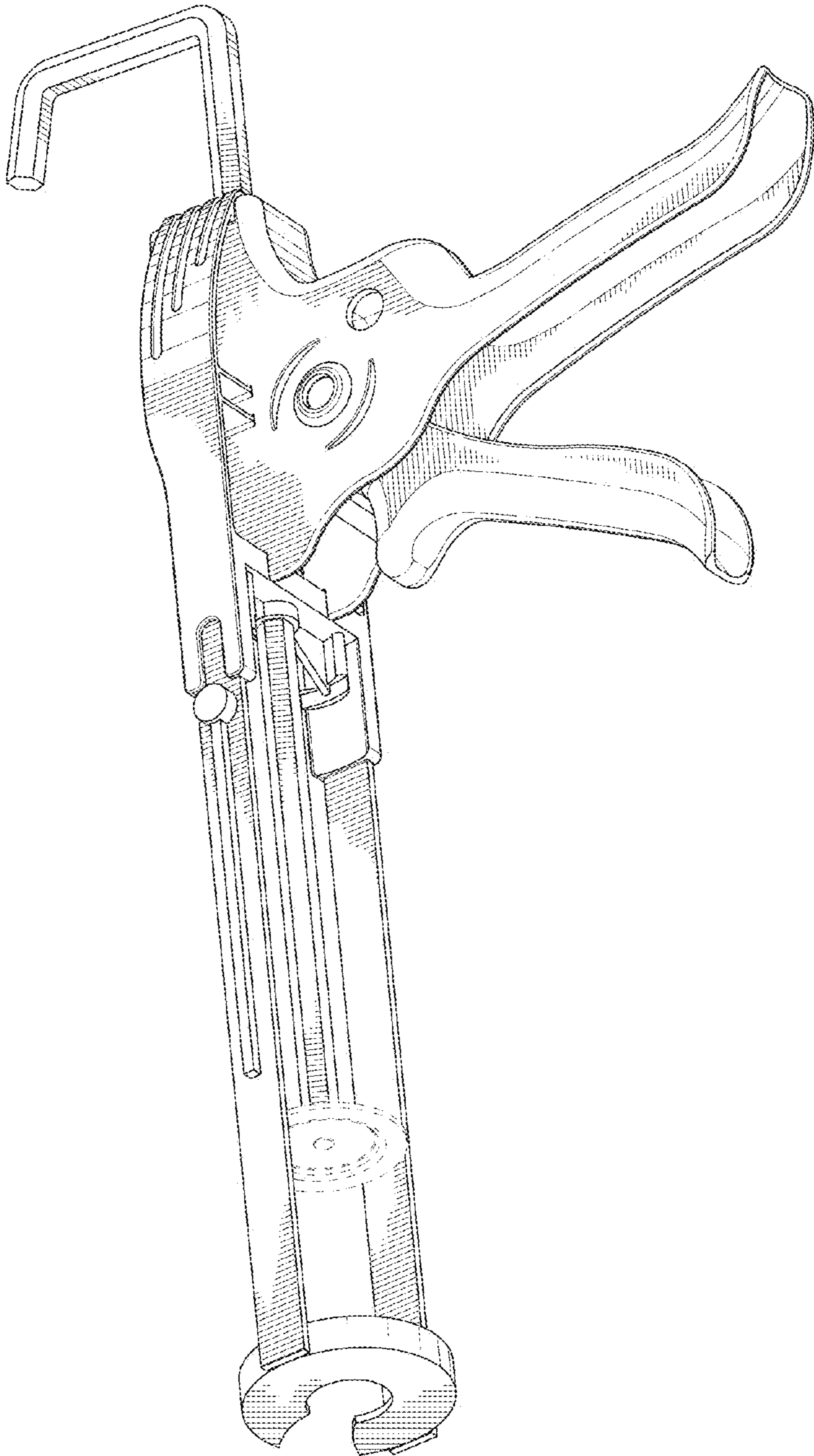


FIG. 1

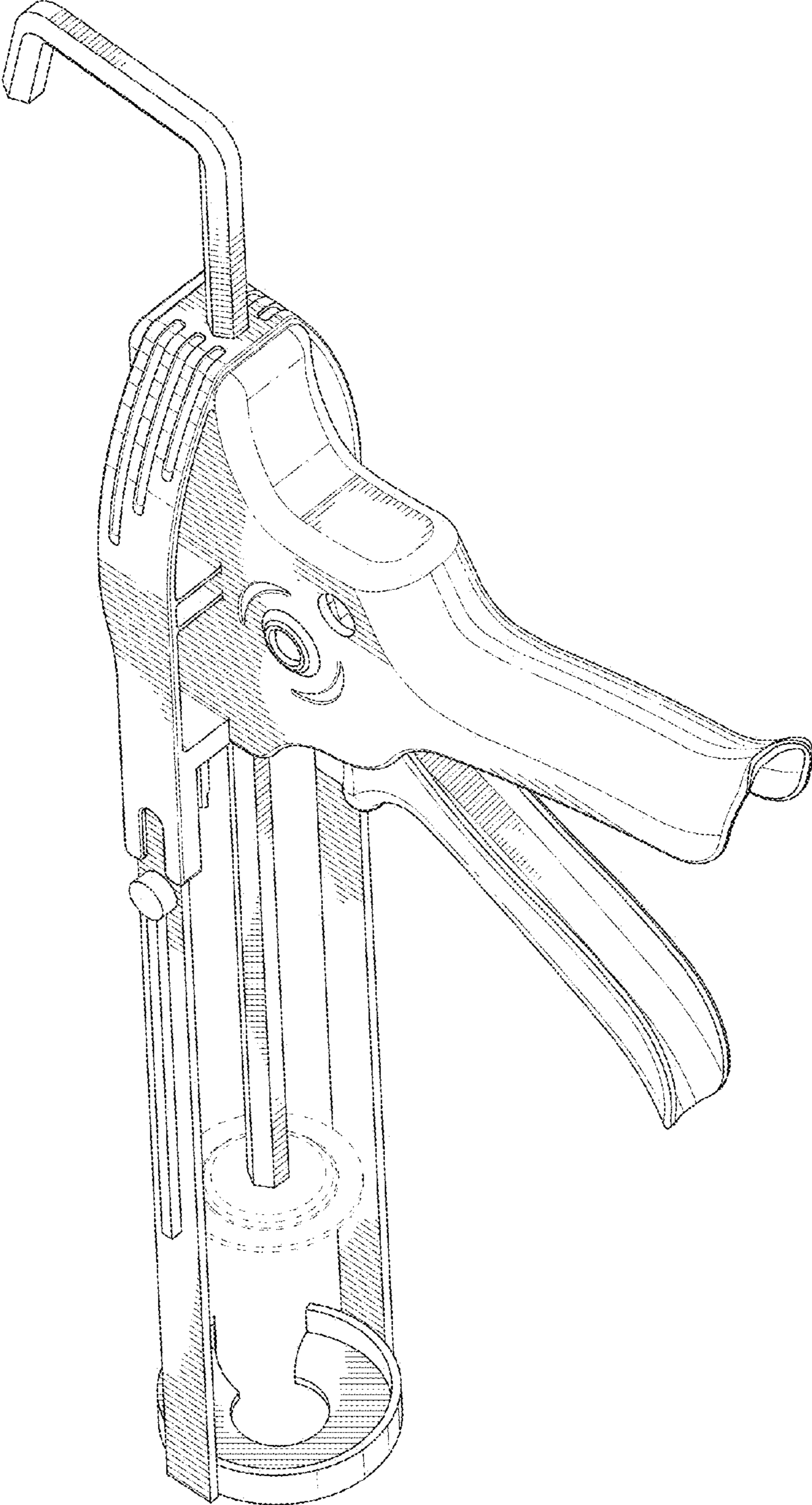


FIG. 2

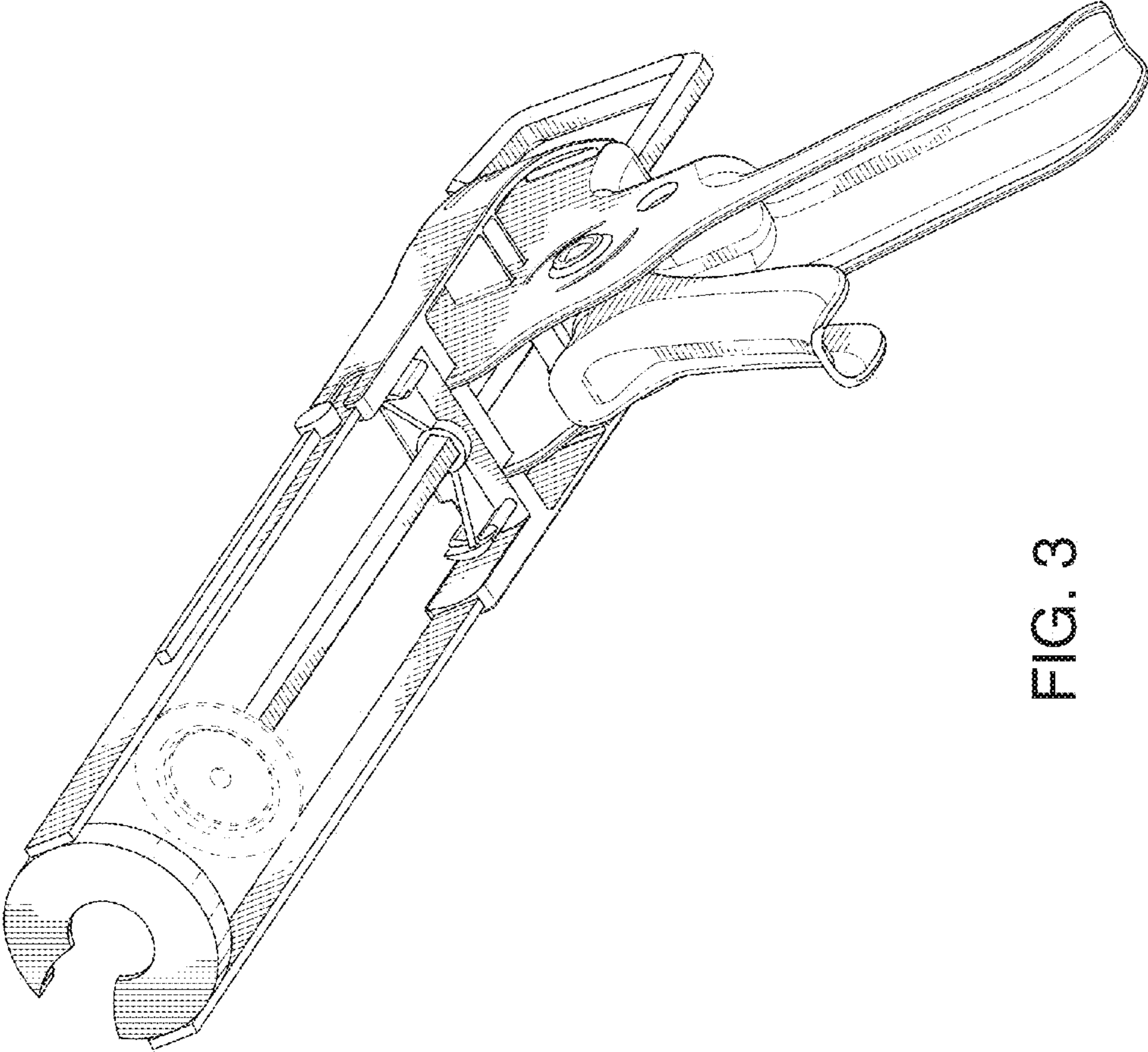


FIG. 3

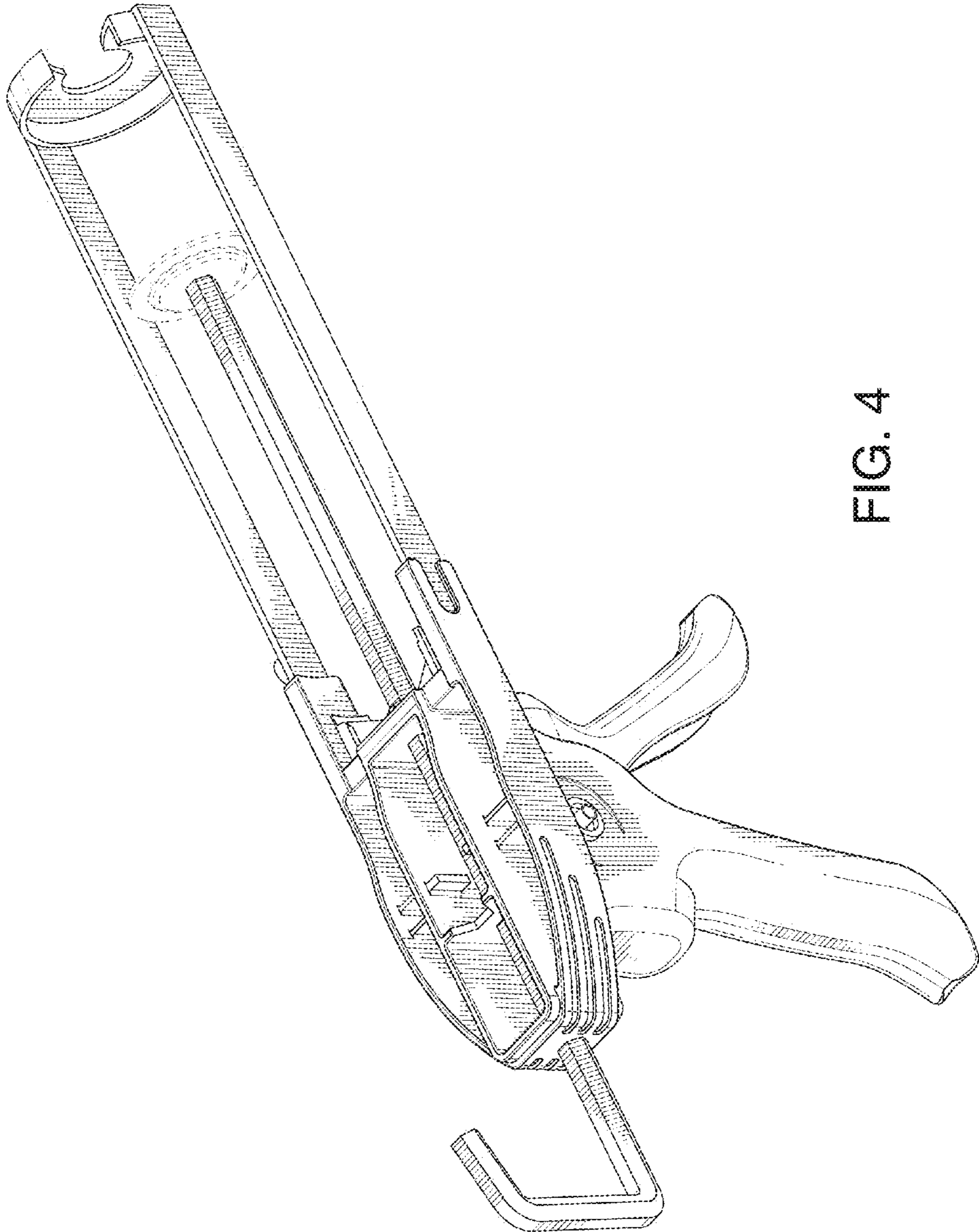


FIG. 4

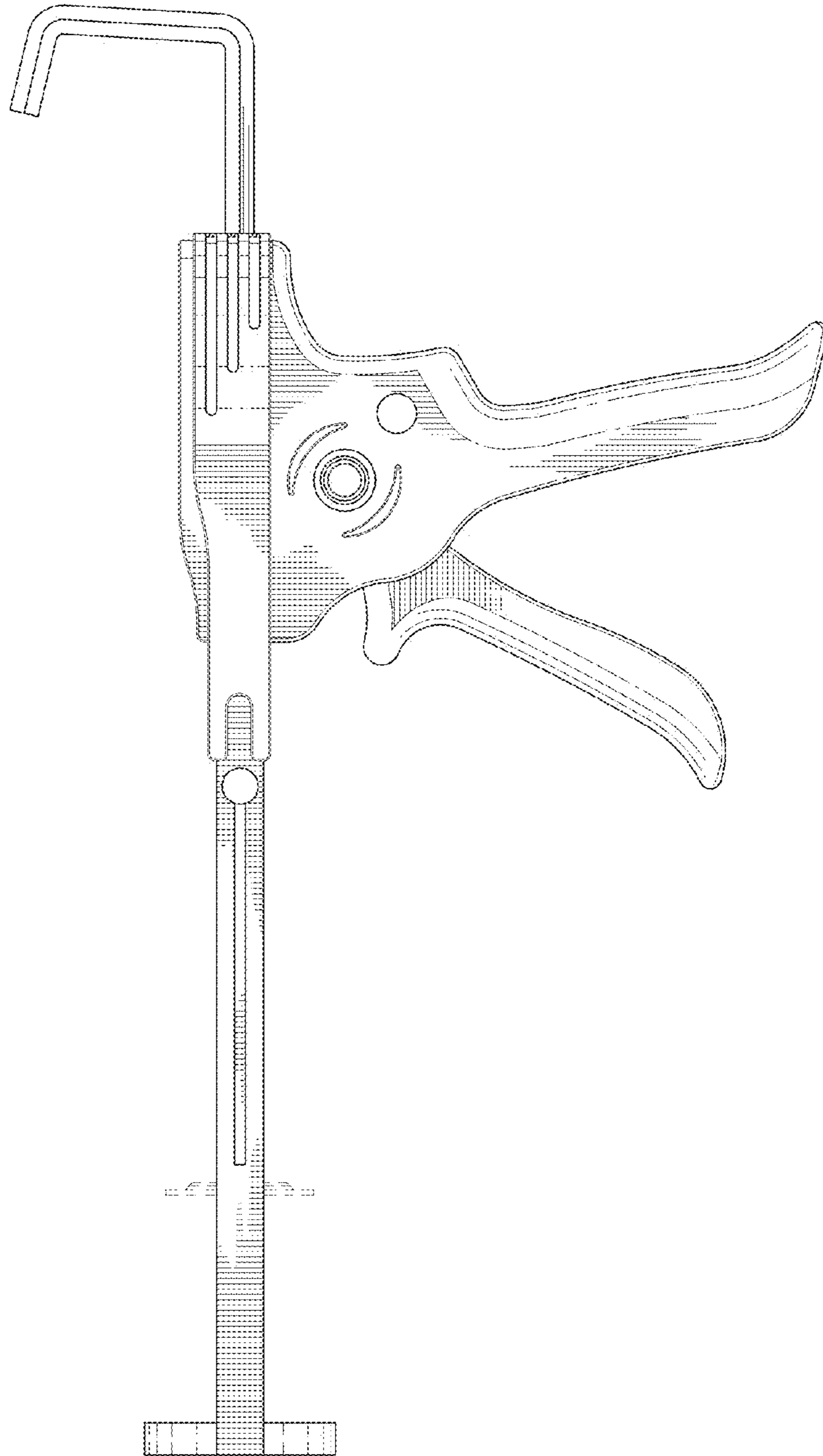


FIG. 5

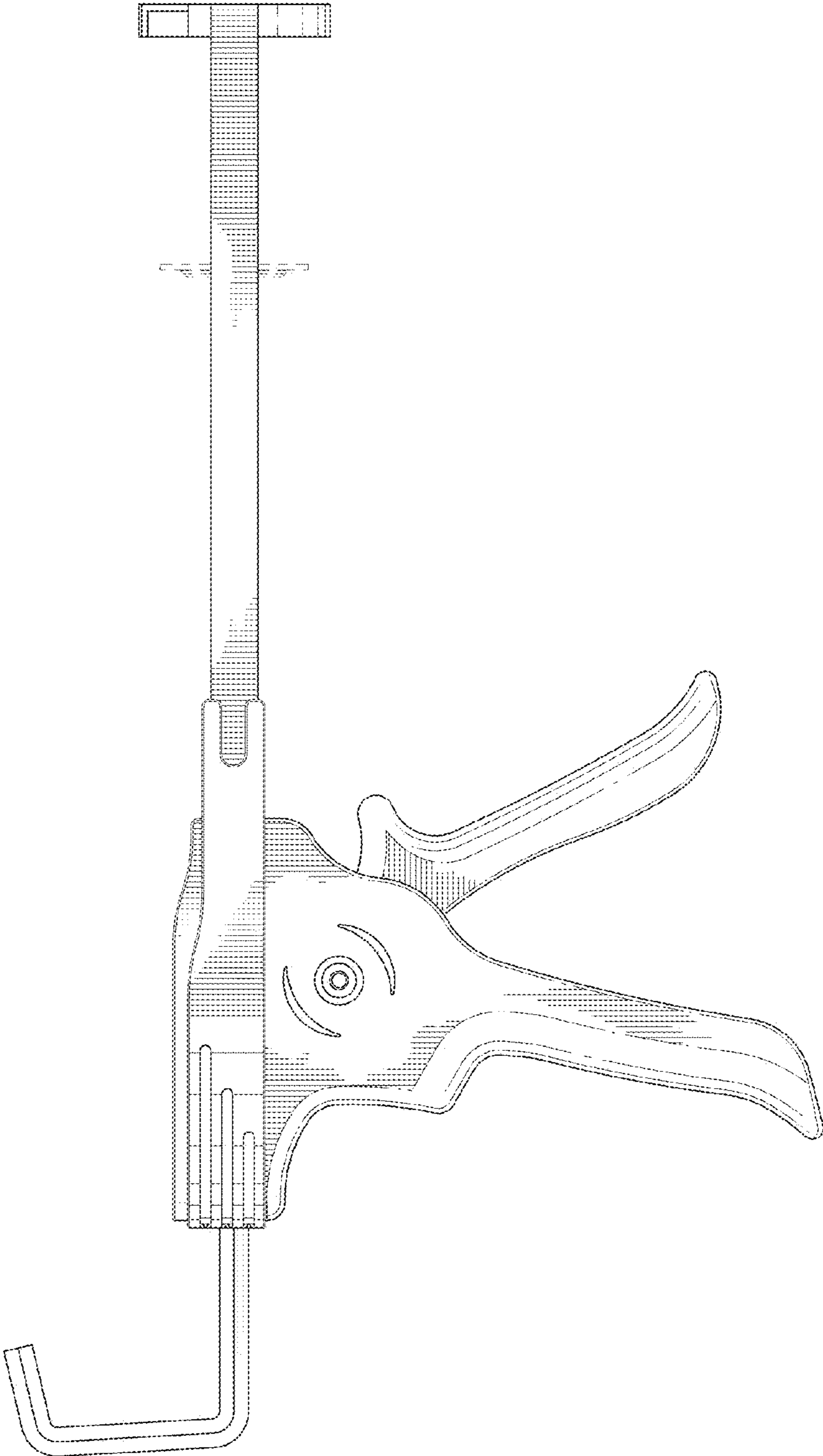


FIG. 6

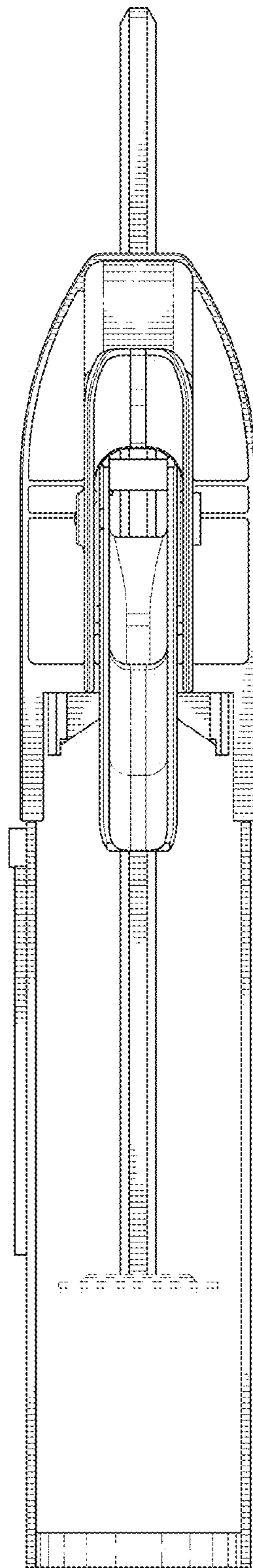


FIG. 7

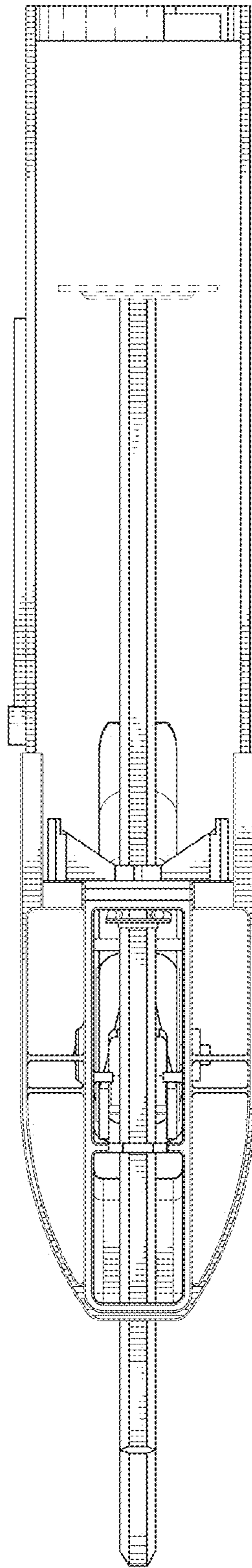


FIG. 8

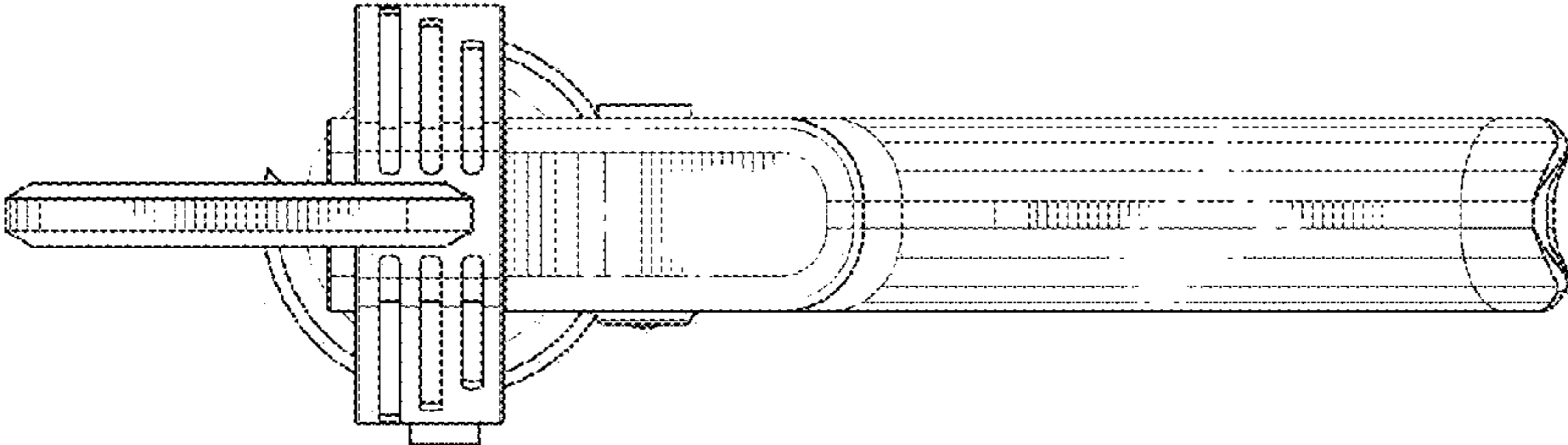


FIG. 9

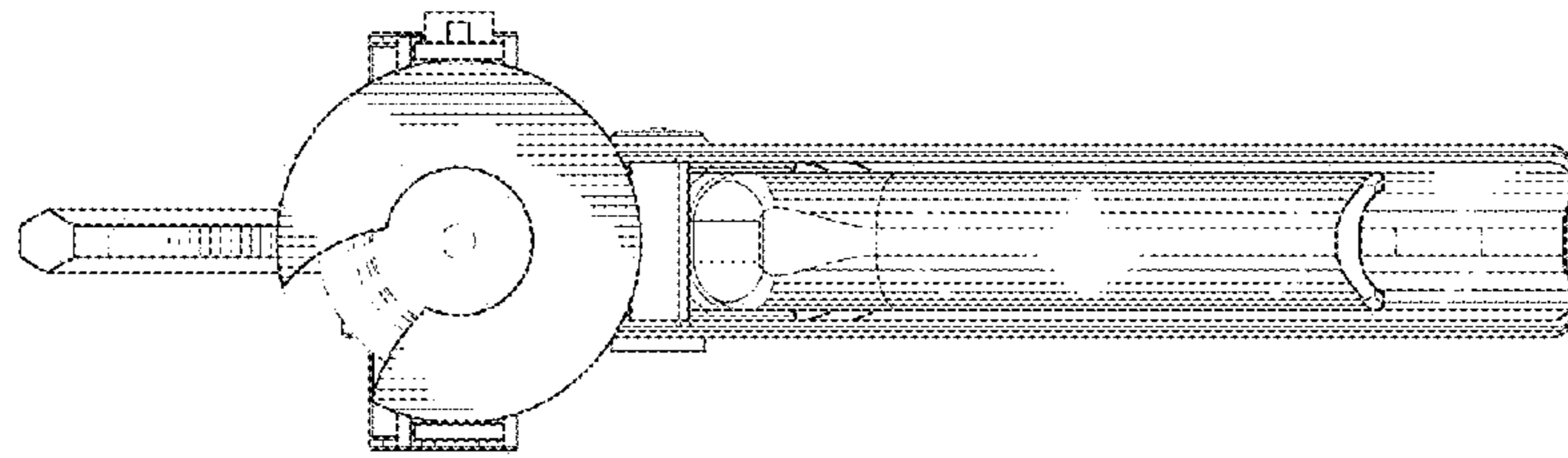


FIG. 10