



US00D762429S

(12) **United States Design Patent**
Kross

(10) **Patent No.:** **US D762,429 S**

(45) **Date of Patent:** **** Aug. 2, 2016**

(54) **CARRIER APPARATUS**

(71) Applicant: **Don Kross**, Holland, MI (US)

(72) Inventor: **Don Kross**, Holland, MI (US)

(**) Term: **14 Years**

(21) Appl. No.: **29/488,646**

(22) Filed: **Apr. 22, 2014**

(51) **LOC (10) Cl.** **07-06**

(52) **U.S. Cl.**
USPC **D7/706**

(58) **Field of Classification Search**
USPC D7/701-706, 600.1-600.4; D3/304,
D3/307, 308-313, 315, 905; 294/159;
220/23.4; 206/143, 168, 199, 203;
211/74, 70.6, 70.7, 71.01, 70.1
CPC B65D 1/243; B65D 1/22; B65D 71/003
See application file for complete search history.

(56) **References Cited**

U.S. PATENT DOCUMENTS

- 2,365,914 A * 12/1944 Stigler B65D 71/003
206/168
- D193,313 S * 7/1962 Peca D3/309
- 3,891,084 A * 6/1975 Elizondo-Garcia B65D 1/243
206/143

- D270,867 S * 10/1983 Keohan D3/308
- D280,773 S * 9/1985 Addy, Jr. D3/309
- D447,916 S * 9/2001 Bodum D7/706
- D690,109 S * 9/2013 Shupp D3/309

* cited by examiner

Primary Examiner — Terry Wallace

(74) *Attorney, Agent, or Firm* — King & Partners, PLC

(57) **CLAIM**

The ornamental design for a carrier apparatus, as shown and described.

DESCRIPTION

FIG. 1 is a front perspective view of a carrier apparatus showing, in particular, the ornamental design thereof.

FIG. 2 is a top plan view of the carrier apparatus of FIG. 1.

FIG. 3 is a bottom plan view of the carrier apparatus of FIG. 1.

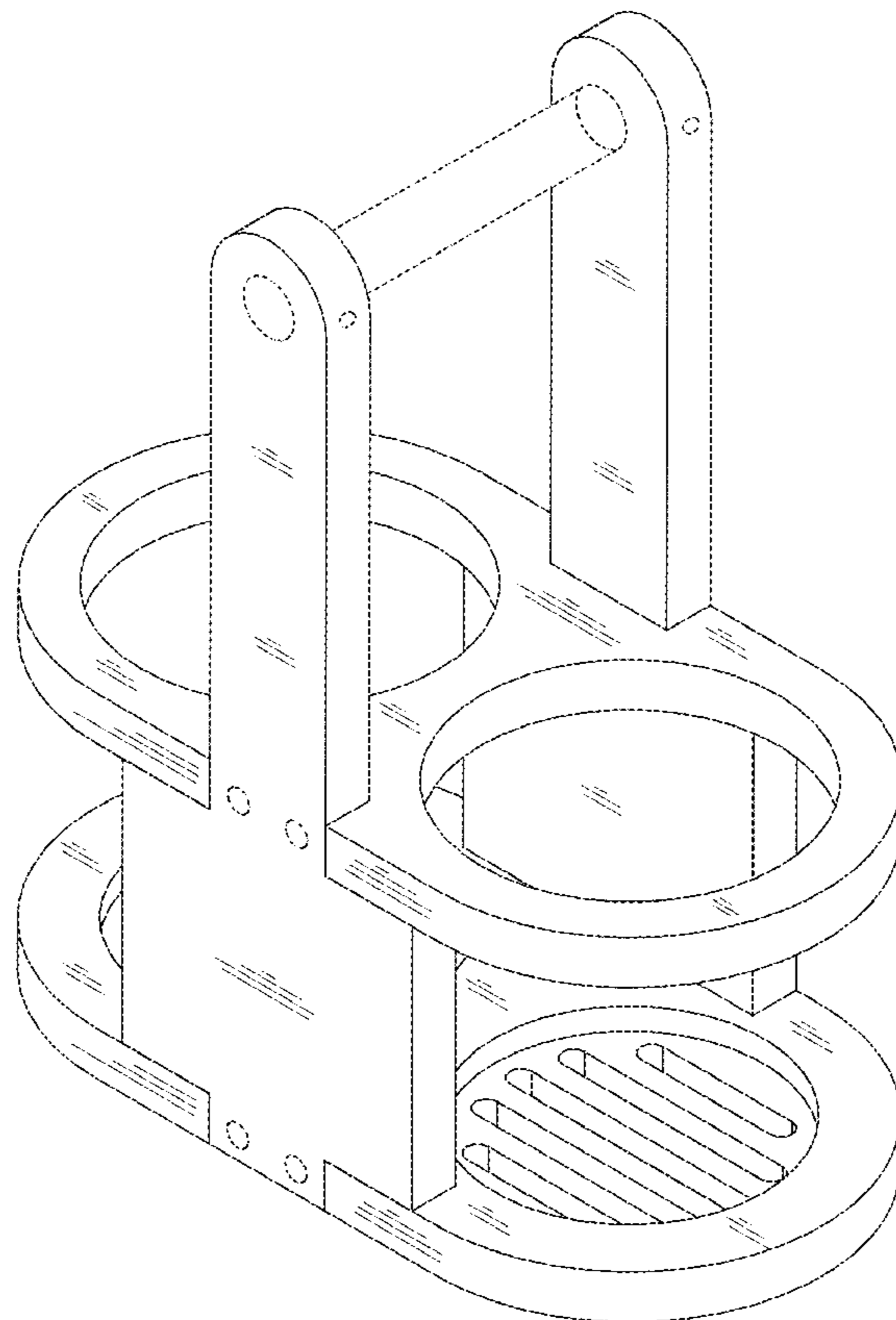
FIG. 4 is a front end view of the carrier apparatus of FIG. 1. It will be understood that a rear end view is a mirror image of the front end view.

FIG. 5 is a right side view of the carrier apparatus of FIG. 1; and,

FIG. 6 is a left side view of the carrier apparatus of FIG. 1.

The broken lines are for illustrative purposes only and form no part of the claimed design.

1 Claim, 6 Drawing Sheets



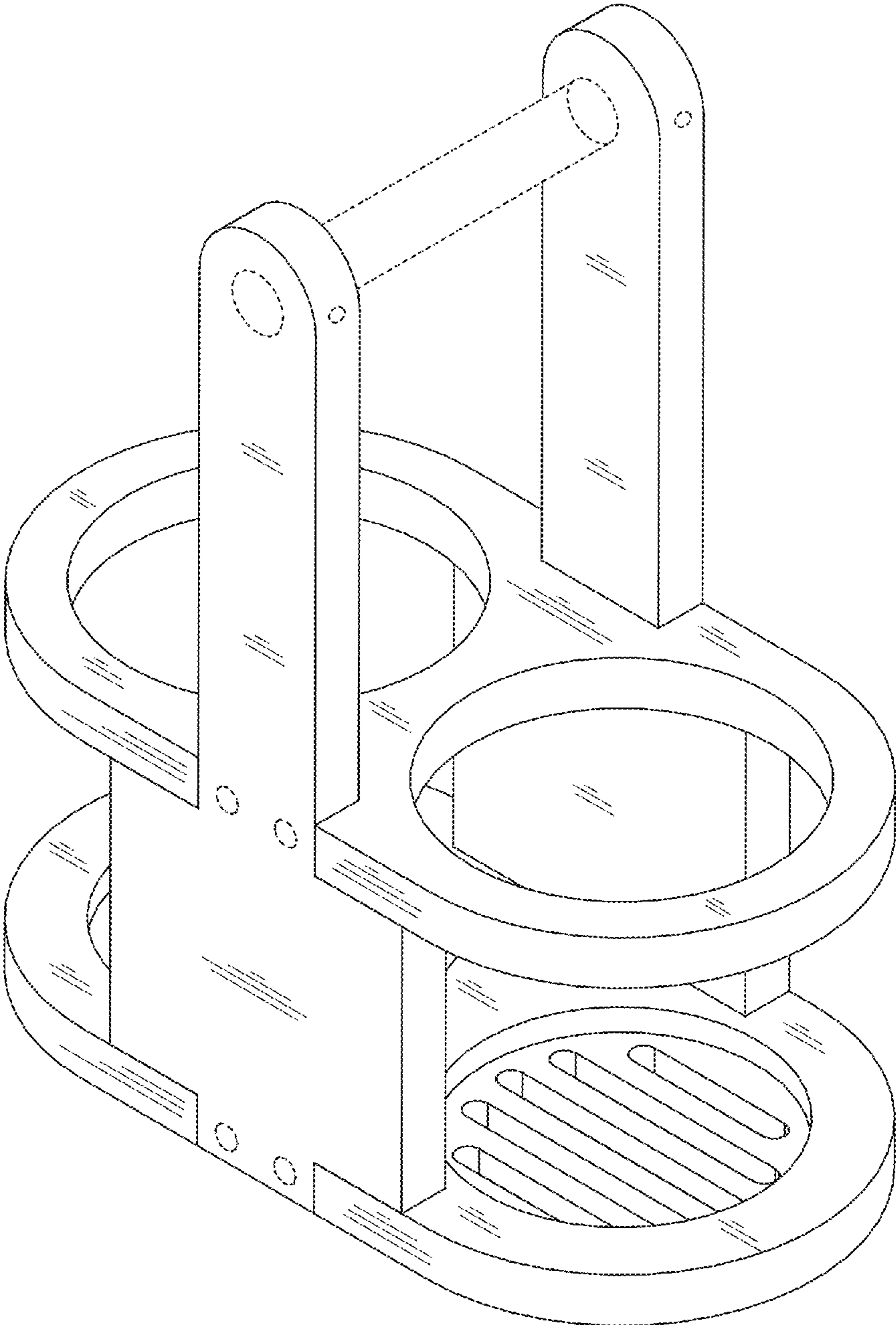


Figure 1

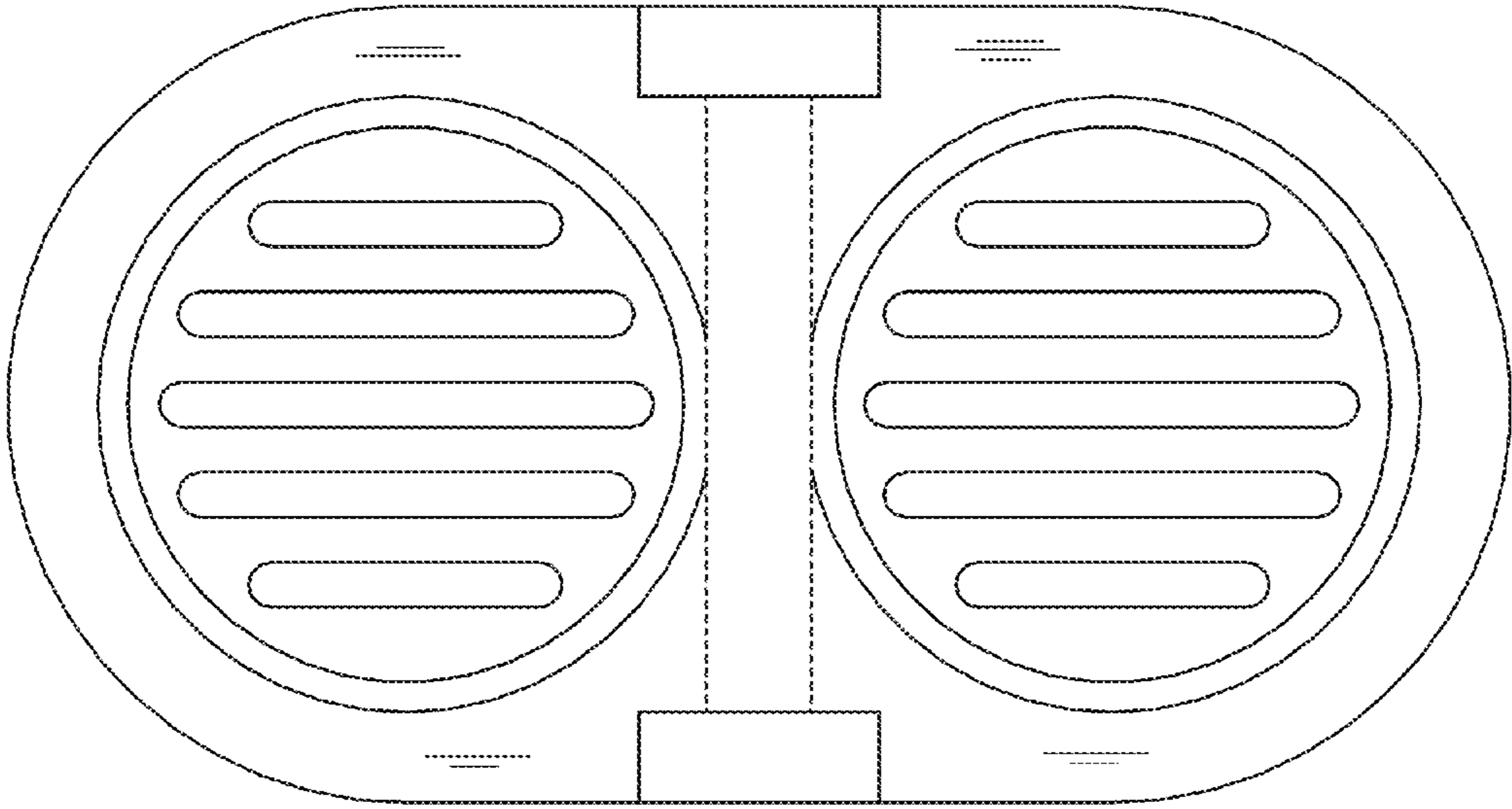


Figure 2

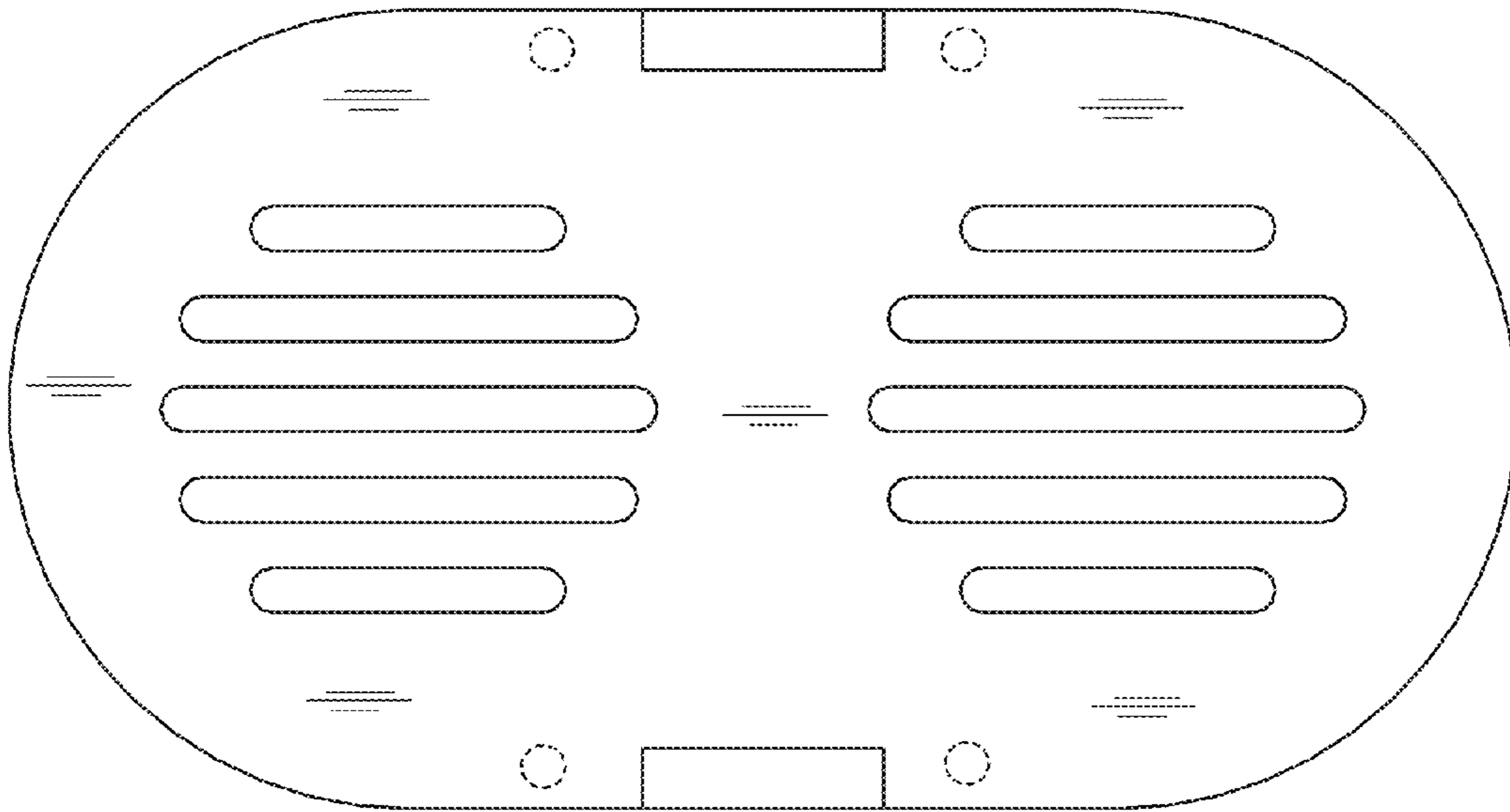


Figure 3

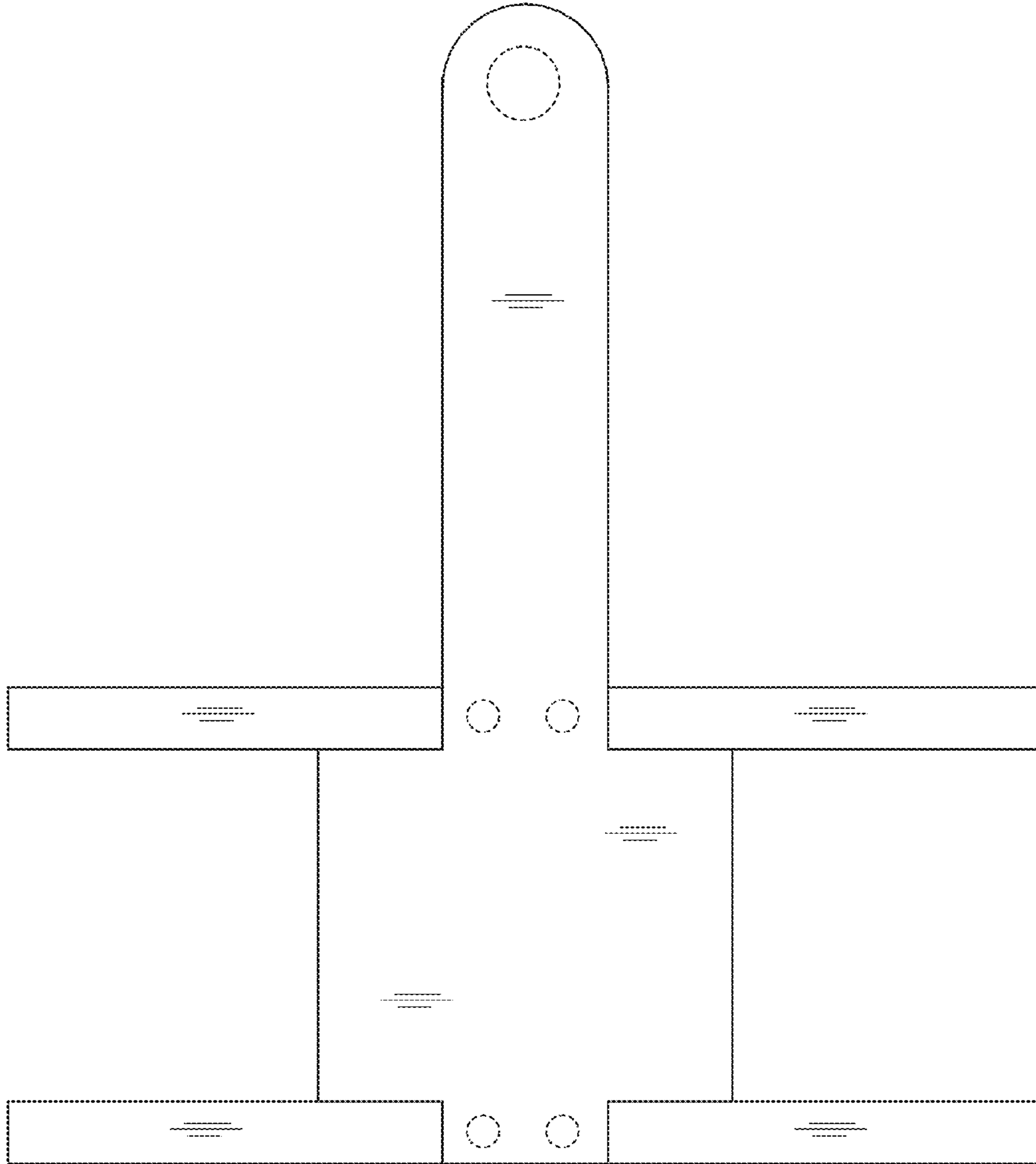


Figure 4

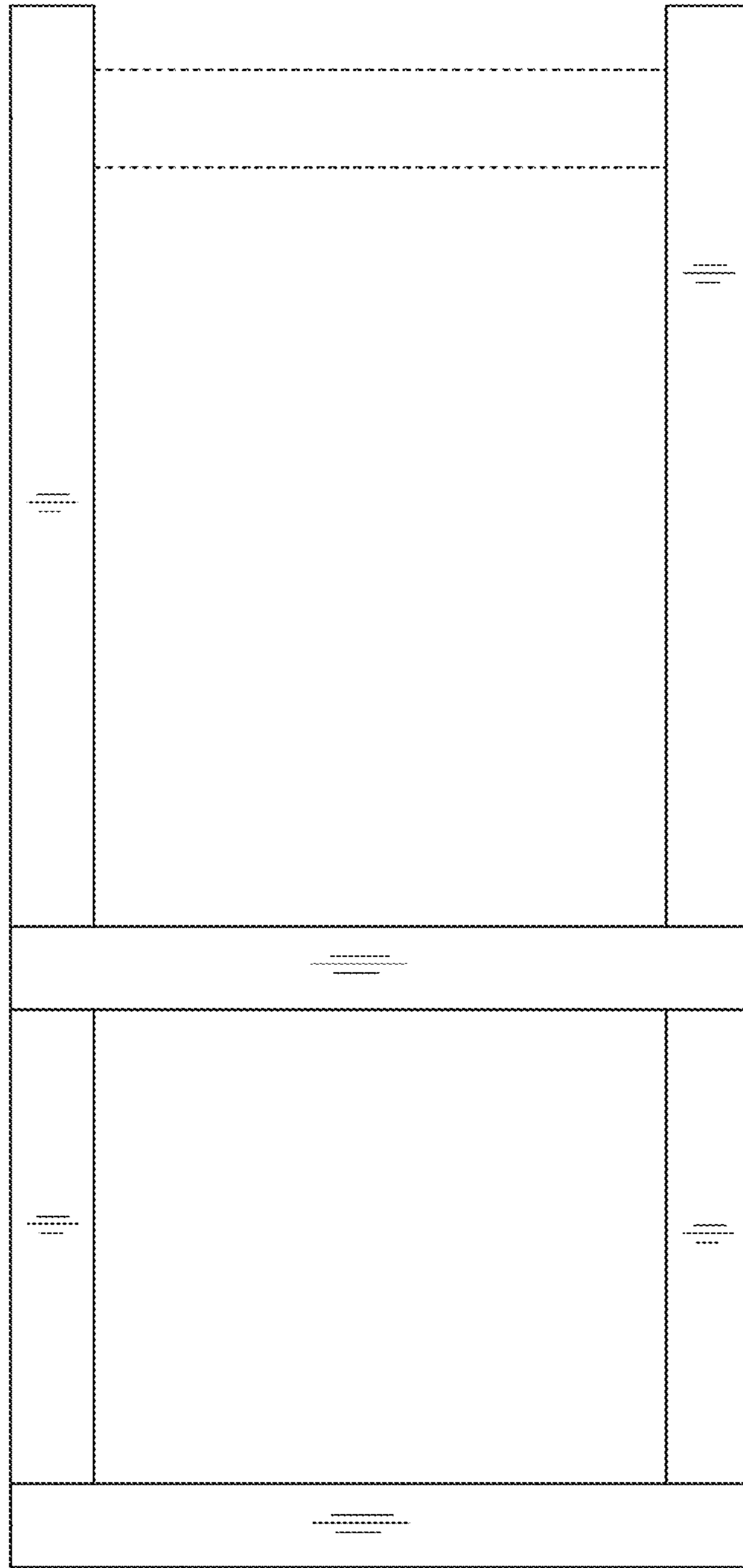


Figure 5

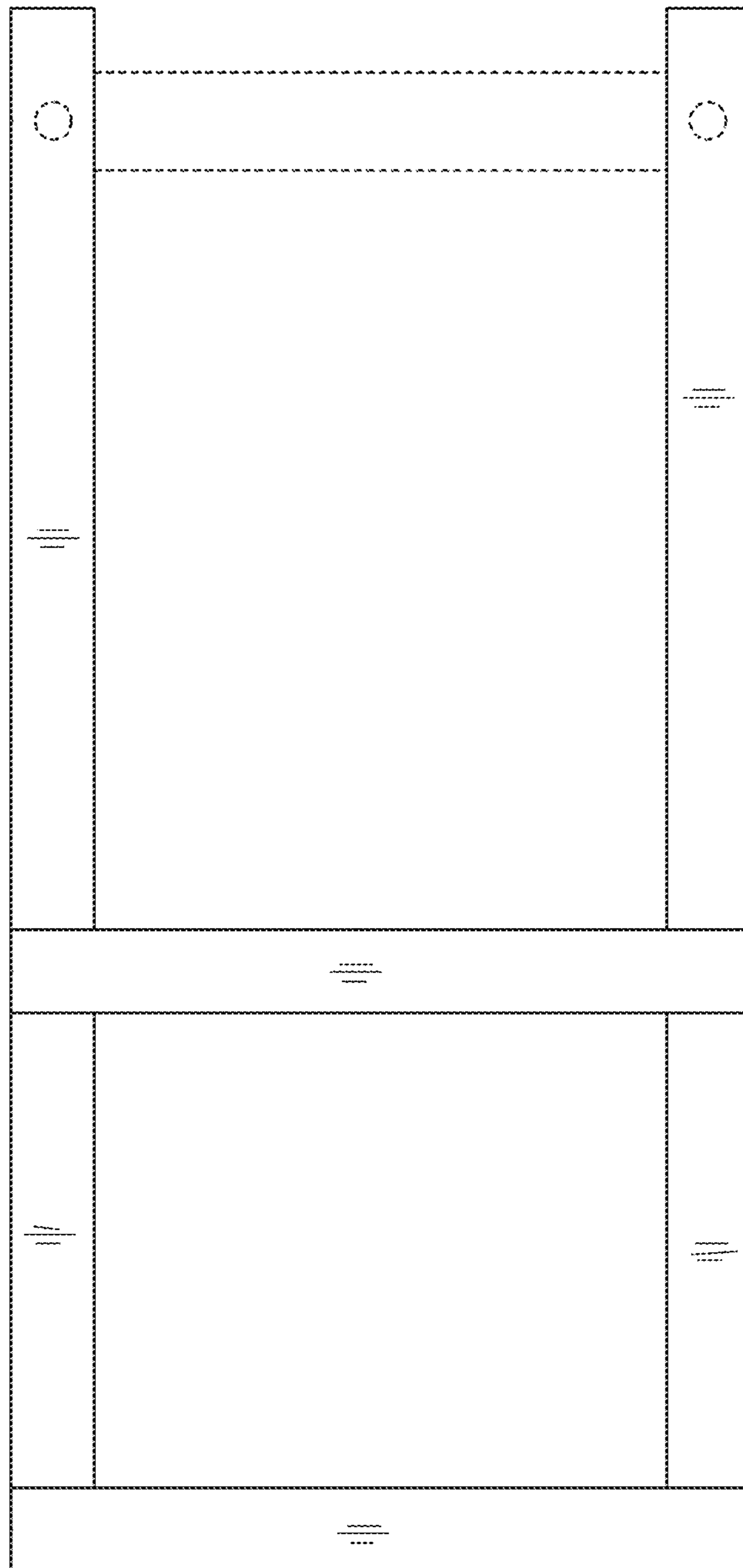


Figure 6