

US00D762424S

(12) **United States Design Patent**
Kim

(10) **Patent No.:** **US D762,424 S**
(45) **Date of Patent:** **** Aug. 2, 2016**

(54) **JUICE EXTRACTOR**

(71) Applicant: **HUROM CO., LTD.**,
Gyeongsangnam-do (KR)

(72) Inventor: **Young Ki Kim**, Gyeongsangnam (KR)

(73) Assignee: **Hurom Co., Ltd.**, Gyeongsangnam-do
(KR)

(**) Term: **14 Years**

(21) Appl. No.: **29/523,547**

(22) Filed: **Apr. 10, 2015**

(30) **Foreign Application Priority Data**

Nov. 13, 2014 (KR) 30-2014-0054714

(51) **LOC (10) Cl.** **31-00**

(52) **U.S. Cl.**
USPC **D7/665**

(58) **Field of Classification Search**
USPC D7/665, 666, 368, 378, 381, 384
CPC A47J 19/027; A47J 19/02; A47J 37/0835;
A47J 19/00; A47J 43/0783; A47J 43/1032;
A47J 43/1006; A47J 43/042; A47J
2043/04463; A47J 2043/0449; A47J
2043/04427; A23N 1/10; A23N 1/003;
A23N 1/006; A23N 1/02

See application file for complete search history.

(56) **References Cited**

U.S. PATENT DOCUMENTS

D594,717 S * 6/2009 Wu Chang D7/665
D641,214 S * 7/2011 Choi D7/665
D665,632 S * 8/2012 Kim D7/665

D684,827 S * 6/2013 Kim D7/665
2013/0255511 A1 * 10/2013 Steiner A47J 19/02
99/513
2013/0284034 A1 * 10/2013 Jeong A47J 19/025
100/117

FOREIGN PATENT DOCUMENTS

KR 30-0714807000 11/2013
KR 30-0697556000 2/2014

OTHER PUBLICATIONS

Design U.S. Appl. No. 29/503,242, filed Sep. 24, 2014; In re: Kim; entitled *Cover for a Juice Extractor*.
U.S. Appl. No. 14/411,868, filed Dec. 29, 2014; In re: Kim; entitled *Juicer*.
Taiwanese Search Report for Application No. 103305592 dated Mar. 12, 2015.

* cited by examiner

Primary Examiner — Terry Wallace
(74) *Attorney, Agent, or Firm* — Alston & Bird LLP

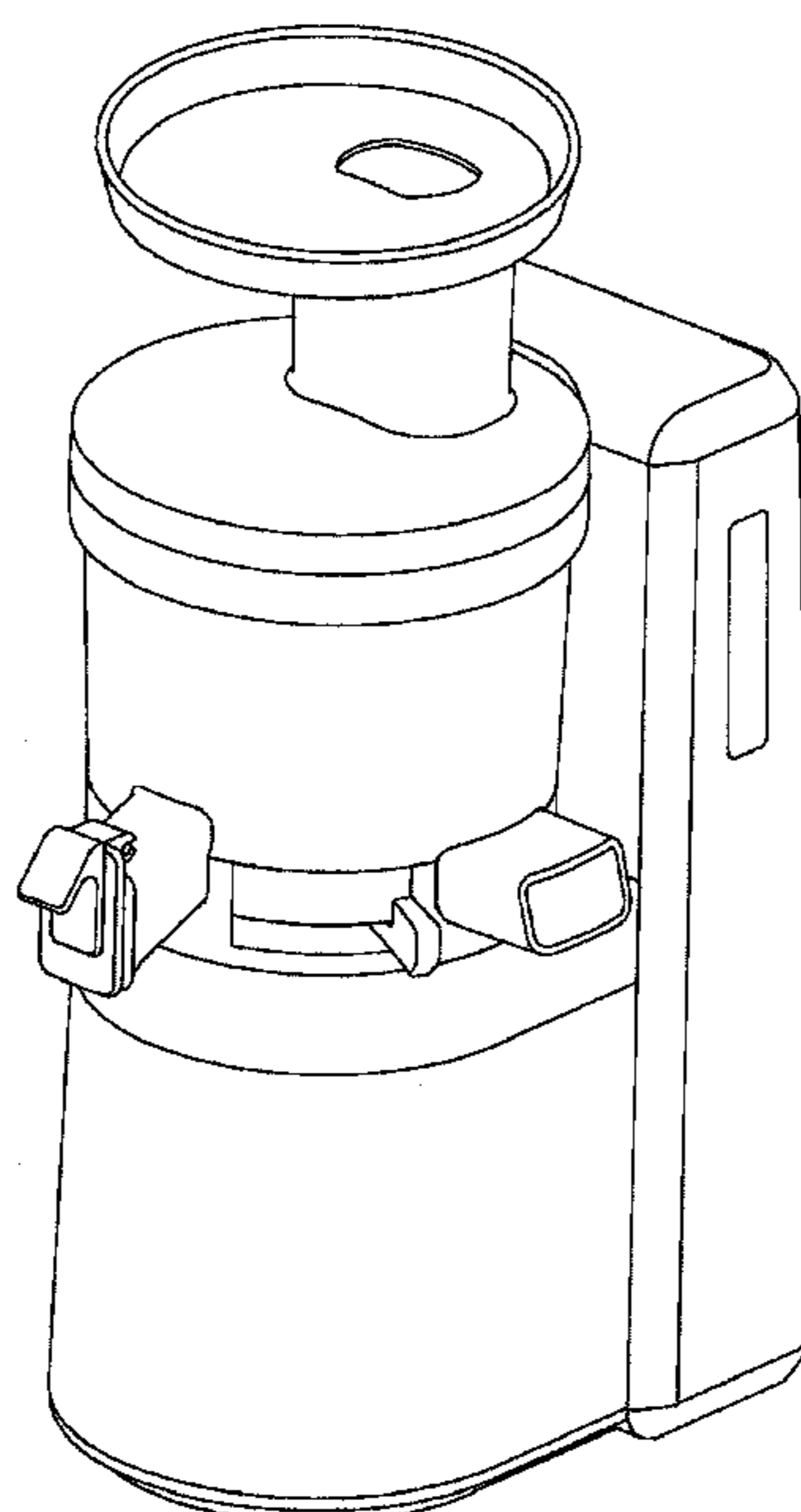
(57) **CLAIM**

The ornamental design for a juice extractor, as shown and described.

DESCRIPTION

FIG. 1 is a perspective view of a juice extractor according to my new design;
FIG. 2 is a front elevation view thereof;
FIG. 3 is a rear elevation view thereof;
FIG. 4 is a left side elevation view thereof;
FIG. 5 is a right side elevation view thereof;
FIG. 6 is a top plan view thereof; and,
FIG. 7 is a bottom plan view thereof.

1 Claim, 7 Drawing Sheets



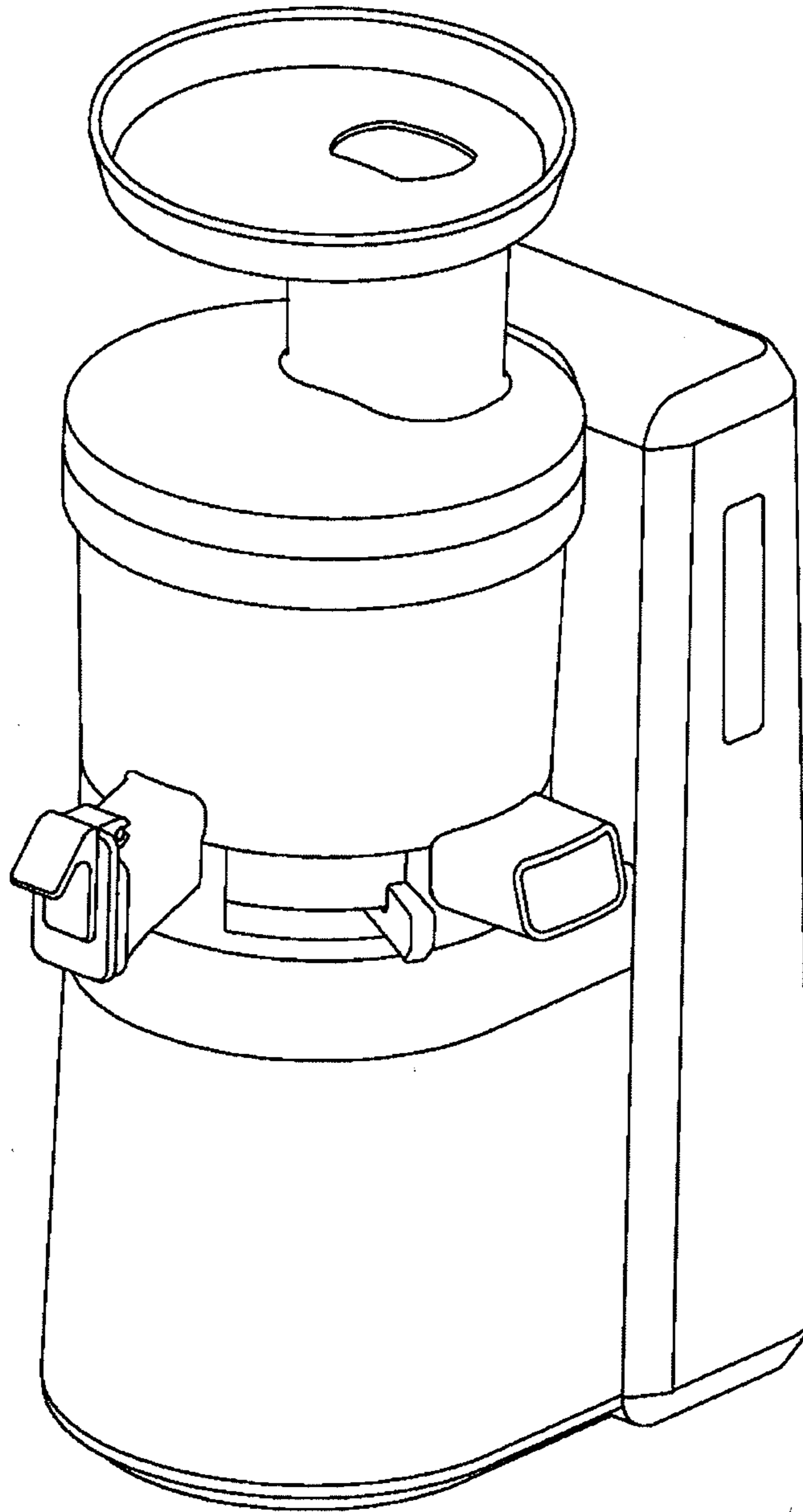


Fig. 1

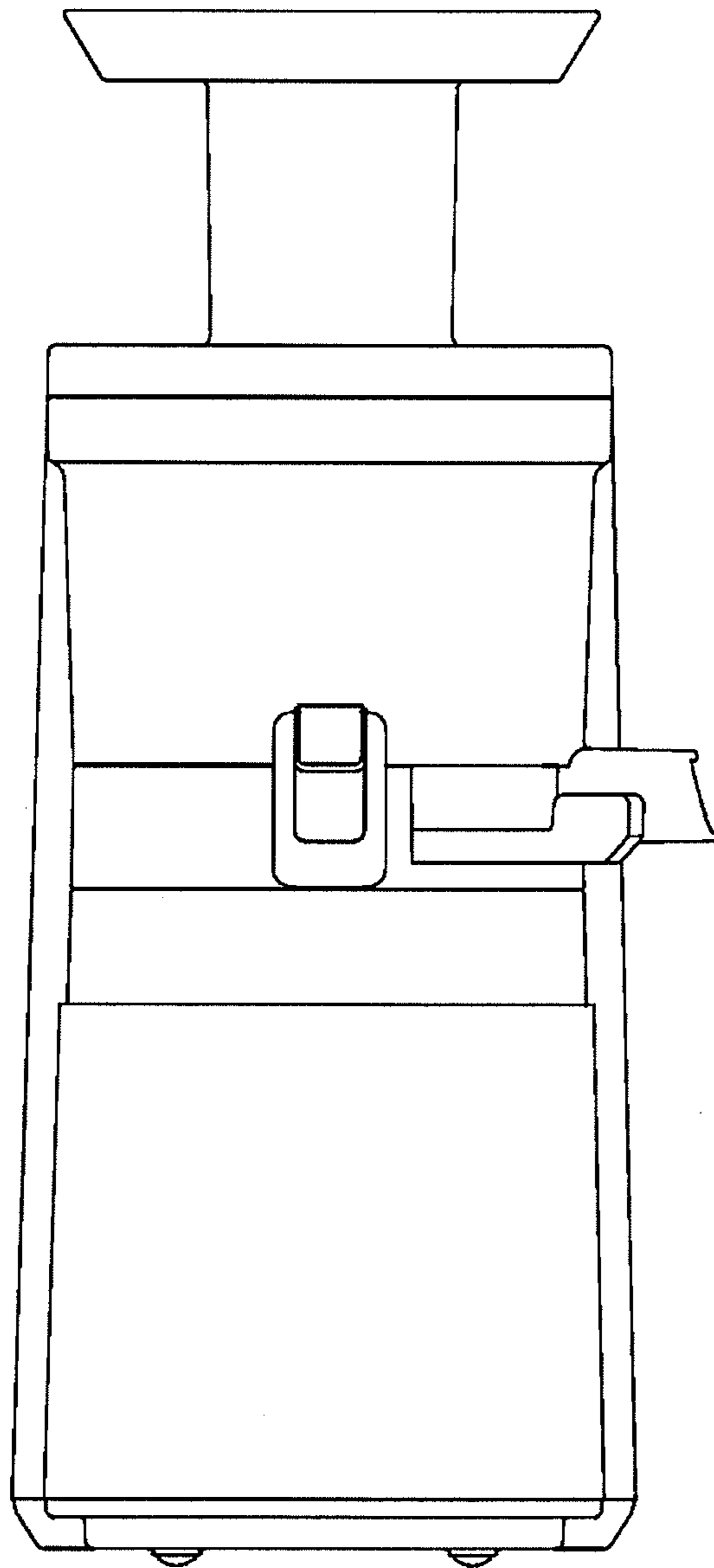


Fig. 2

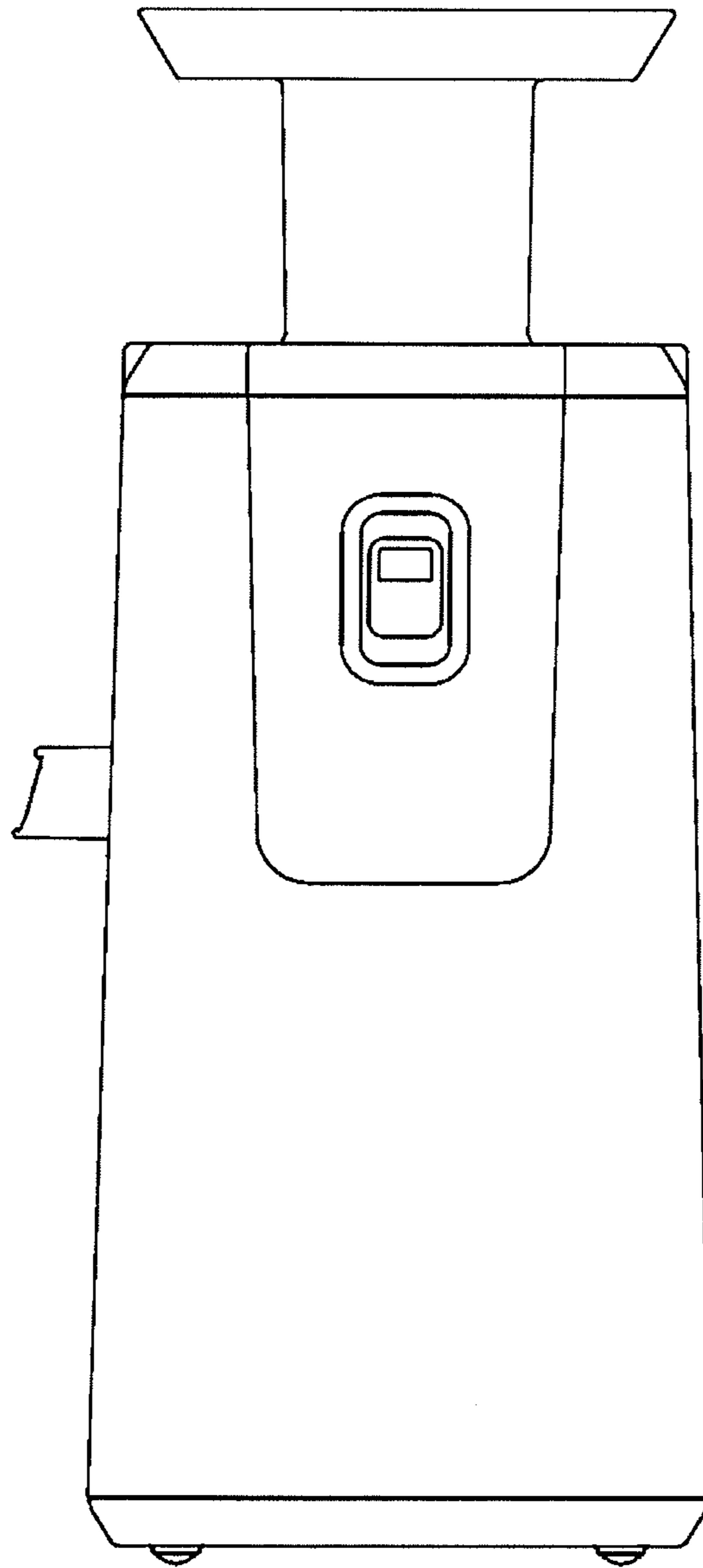


Fig. 3

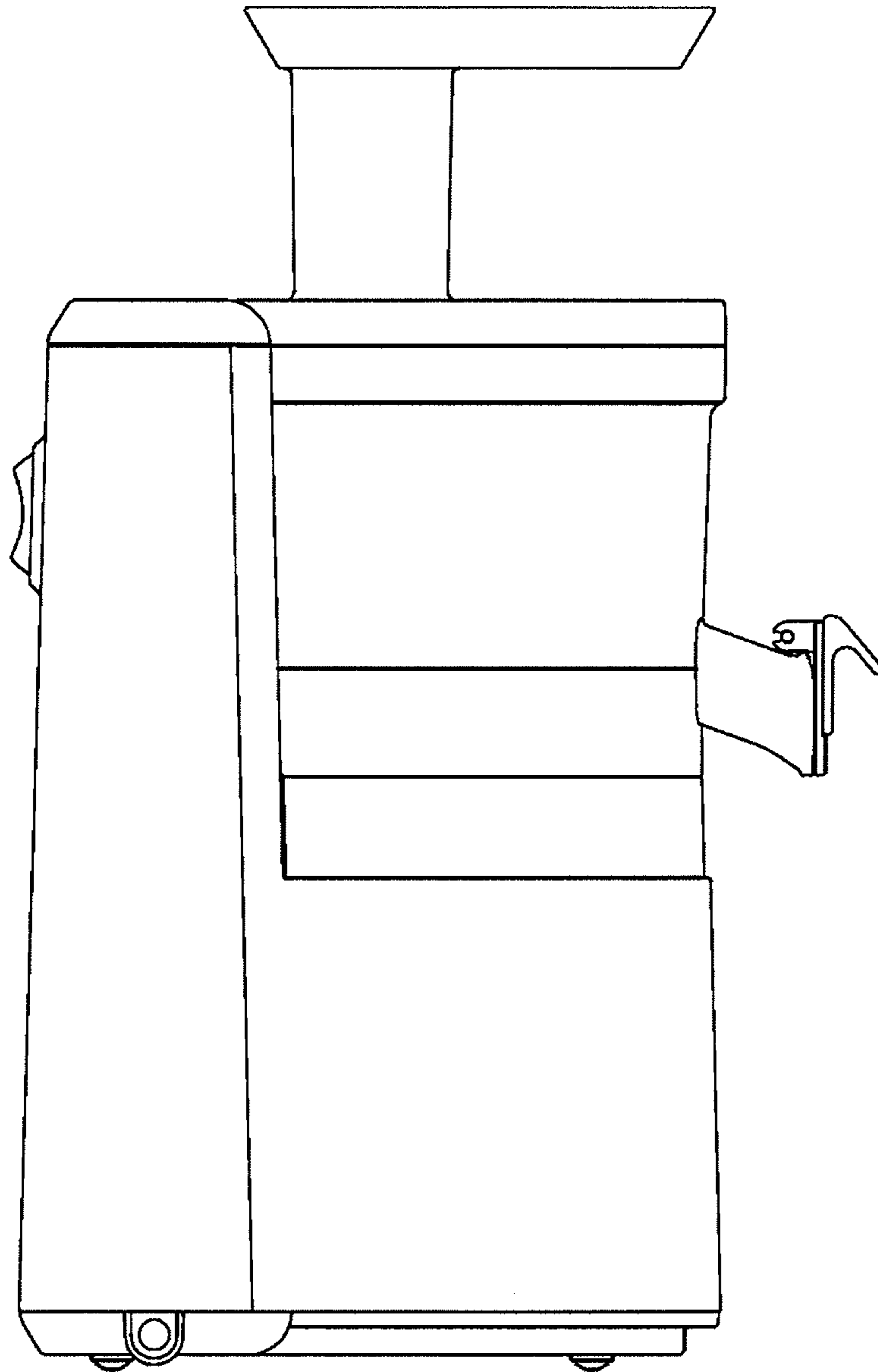


Fig. 4

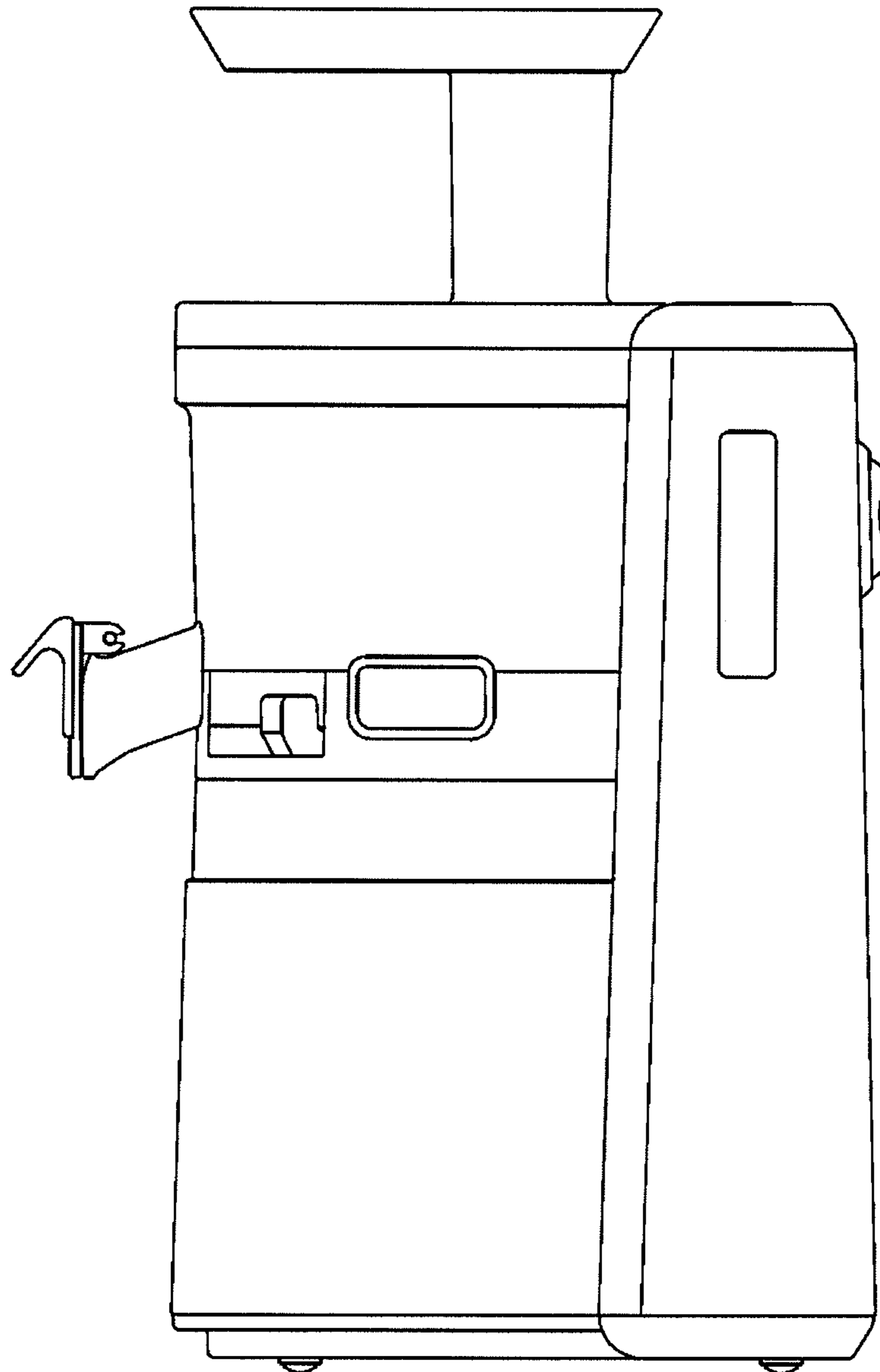


Fig. 5

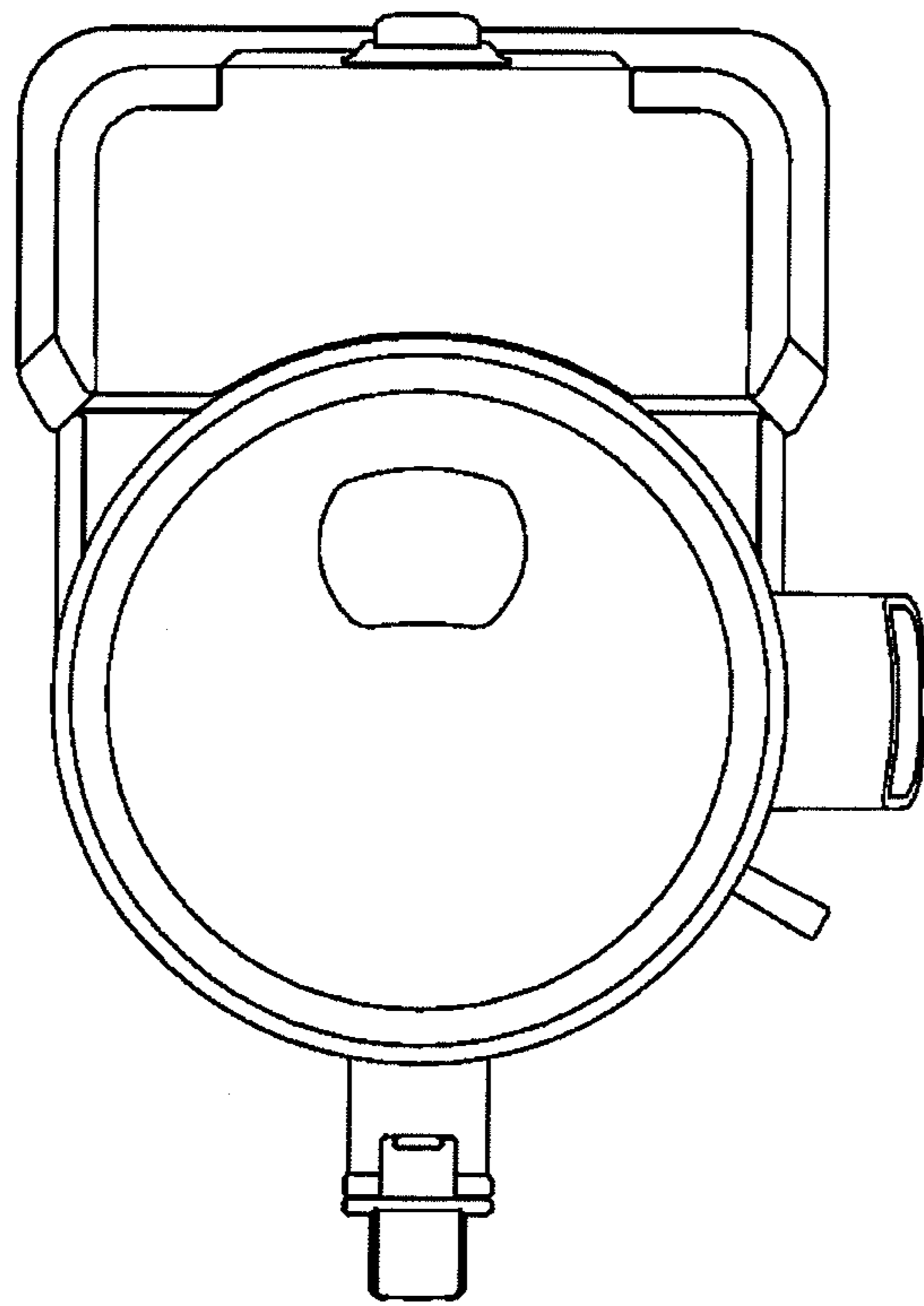


Fig. 6

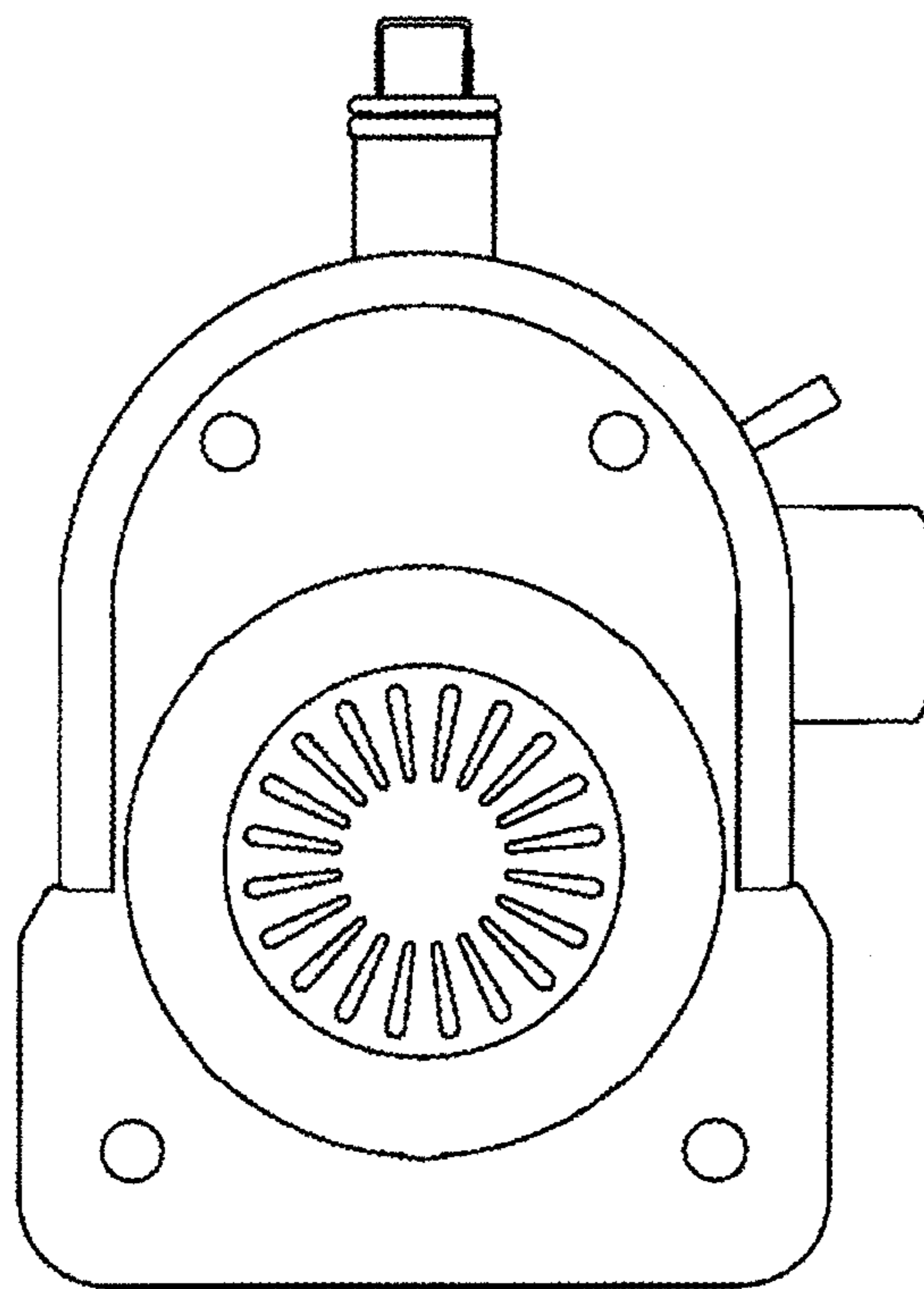


Fig. 7