

US00D762421S

(12) **United States Design Patent**  
**Goodman et al.**

(10) **Patent No.:** **US D762,421 S**  
(45) **Date of Patent:** **\*\* Aug. 2, 2016**

(54) **HOLDER**

- (71) Applicant: **Spectrum Diversified Designs, Inc.**,  
Streetsboro, OH (US)
- (72) Inventors: **Sheldon H. Goodman**, Solon, OH (US);  
**Phaysouk Xayoiphonh**, Akron, OH  
(US)
- (73) Assignee: **Spectrum Diversified Designs, LLC**,  
Streetsboro, OH (US)
- (\*\*) Term: **14 Years**
- (21) Appl. No.: **29/503,214**
- (22) Filed: **Sep. 24, 2014**
- (51) **LOC (10) Cl.** ..... **07-01**
- (52) **U.S. Cl.**  
USPC ..... **D7/601**; D6/566
- (58) **Field of Classification Search**  
USPC ..... D3/306; D6/313, 529, 532, 536, 537,  
D6/540, 566, 675.2, 676.5, 677.5, 678,  
D6/678.4, 680.3, 681.2, 688.15, 705.6;  
D7/505, 601, 602, 704; 211/13.1, 41.3,  
211/41.4, 86.01, 88.01, 90.03, 181.1;  
248/107, 116, 153, 175, 465.1  
CPC ..... A47B 23/00; A47B 41/06; A47D 15/00;  
A45D 19/04; A47F 7/00; A47F 5/00; A47F  
5/08; A47F 5/14; A47G 19/08; A47G 23/02;  
A47J 47/16  
See application file for complete search history.

(56) **References Cited**

**U.S. PATENT DOCUMENTS**

D219,205 S	*	11/1970	Propst	.....	D3/306
D438,042 S	*	2/2001	Hofman	.....	D3/306
D449,752 S	*	10/2001	Snell	.....	D6/537
D497,070 S	*	10/2004	Tipping	.....	D6/566
D577,237 S	*	9/2008	Goodman	.....	D6/566
D584,056 S	*	1/2009	Ghiorghie	.....	D3/304
D640,510 S	*	6/2011	Guindi	.....	D7/631
D718,054 S	*	11/2014	Goodman	.....	D3/306

\* cited by examiner

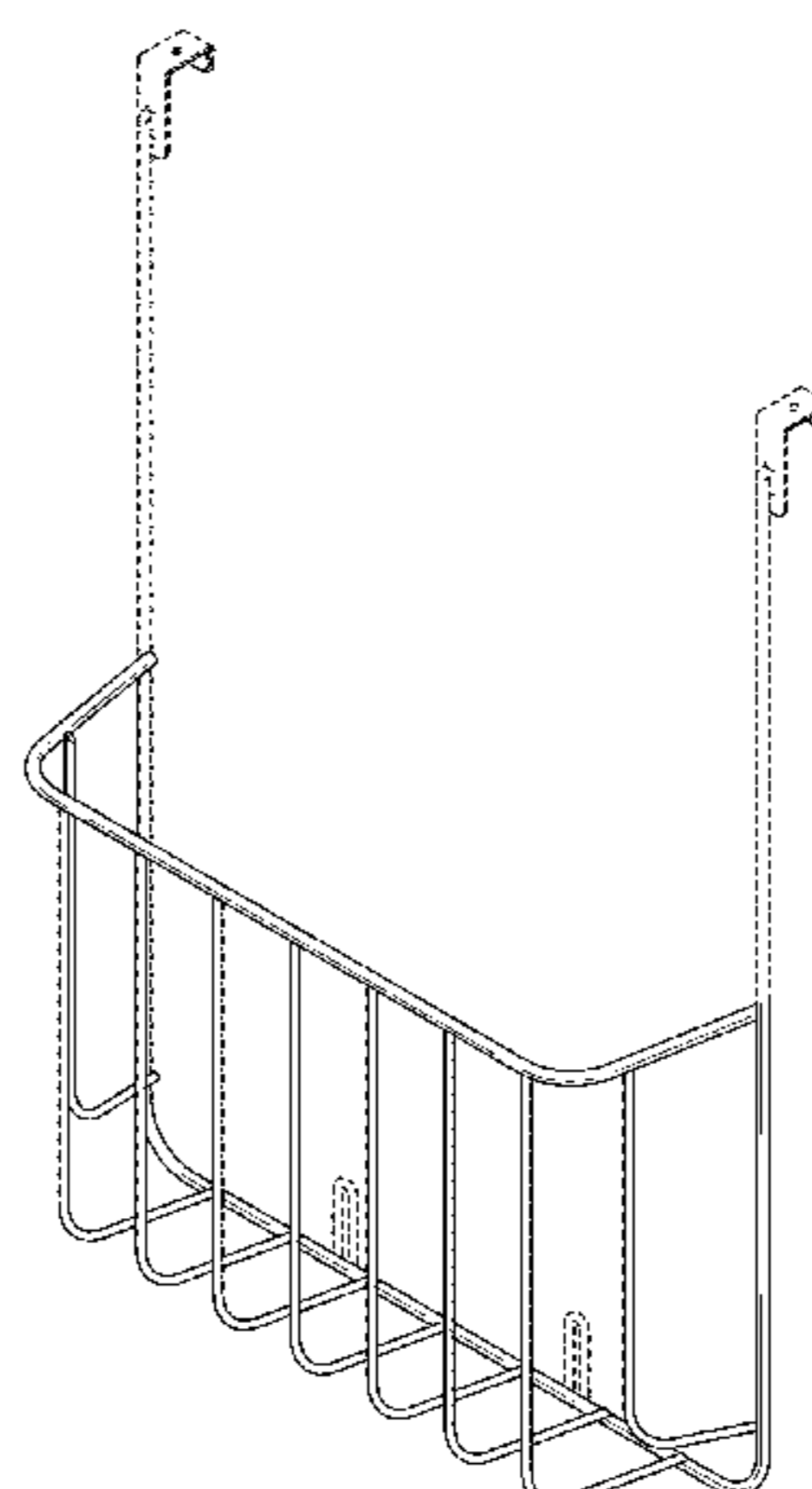
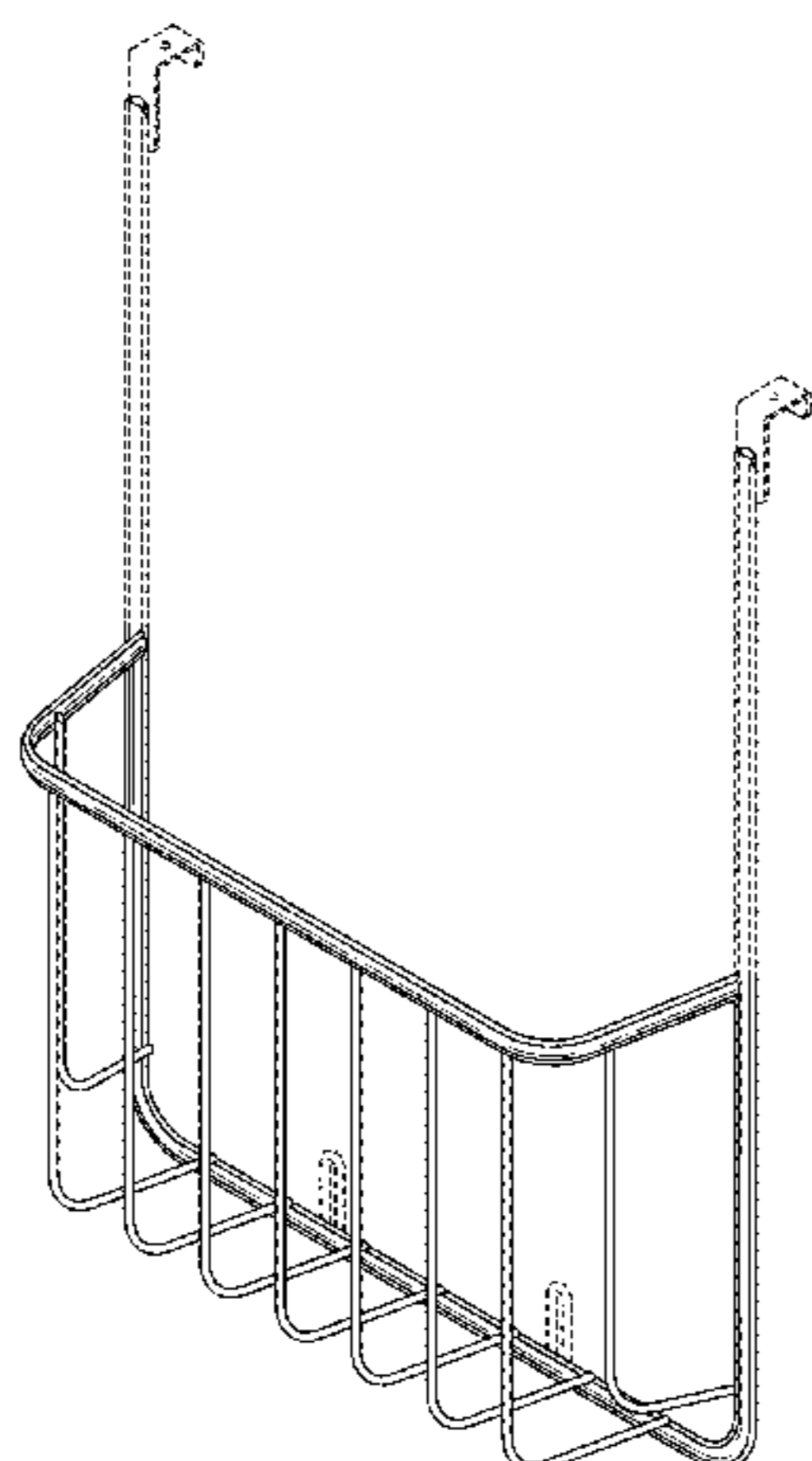
*Primary Examiner* — Susan Bennett Hattan  
*Assistant Examiner* — S. Bryan Reinholdt, Jr.  
(74) *Attorney, Agent, or Firm* — Renner, Otto, Boisselle &  
Sklar, LLP

(57) **CLAIM**  
The ornamental design for a holder, as shown and described.

**DESCRIPTION**

FIG. 1 is a perspective view of a holder showing our new design.  
 FIG. 2 is a front view thereof.  
 FIG. 3 is a rear view thereof.  
 FIG. 4 is a right side view thereof, a left side view being a mirror image of the right side view.  
 FIG. 5 is a top view thereof.  
 FIG. 6 is a bottom view thereof.  
 FIG. 7 is a perspective view of another embodiment of the holder.  
 FIG. 8 is a front view thereof.  
 FIG. 9 is a rear view thereof.  
 FIG. 10 is a right side view thereof, a left side view being a mirror image of the right side view.  
 FIG. 11 is a top view thereof.  
 FIG. 12 is a bottom view thereof.  
 FIG. 13 is a perspective view of another embodiment of the holder.  
 FIG. 14 is a front view thereof.  
 FIG. 15 is a rear view thereof.  
 FIG. 16 is a right side view thereof, a left side view being a mirror image of the right side view.  
 FIG. 17 is a top view thereof.  
 FIG. 18 is a bottom view thereof.  
 FIG. 19 is a perspective view of another embodiment of the holder.  
 FIG. 20 is a front view thereof.  
 FIG. 21 is a rear view thereof.  
 FIG. 22 is a right side view thereof, a left side view being a mirror image of the right side view.  
 FIG. 23 is a top view thereof; and,  
 FIG. 24 is a bottom view thereof.  
 The broken lines depict attachment elements that form no part of the claimed design.

**1 Claim, 20 Drawing Sheets**



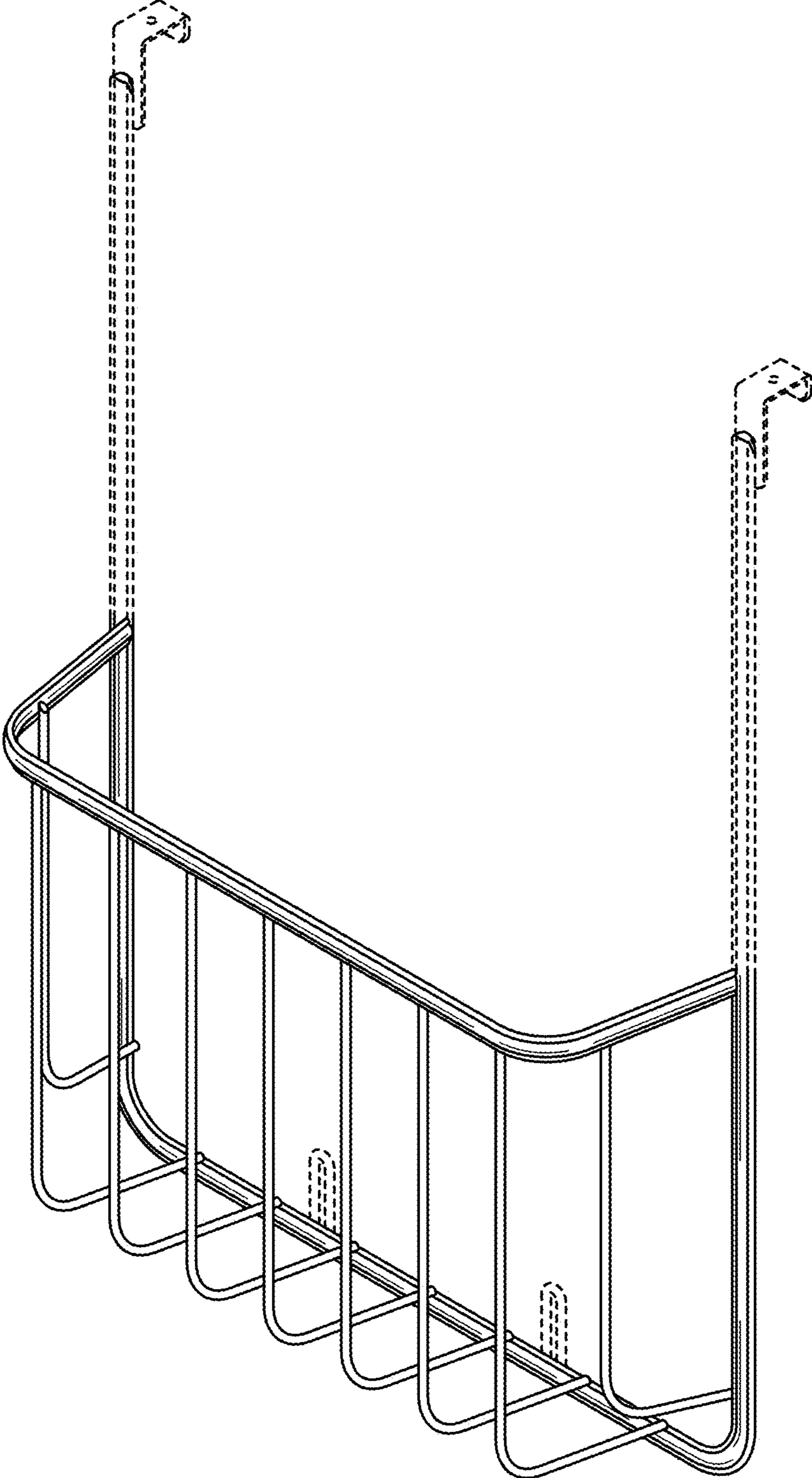


FIG. 1

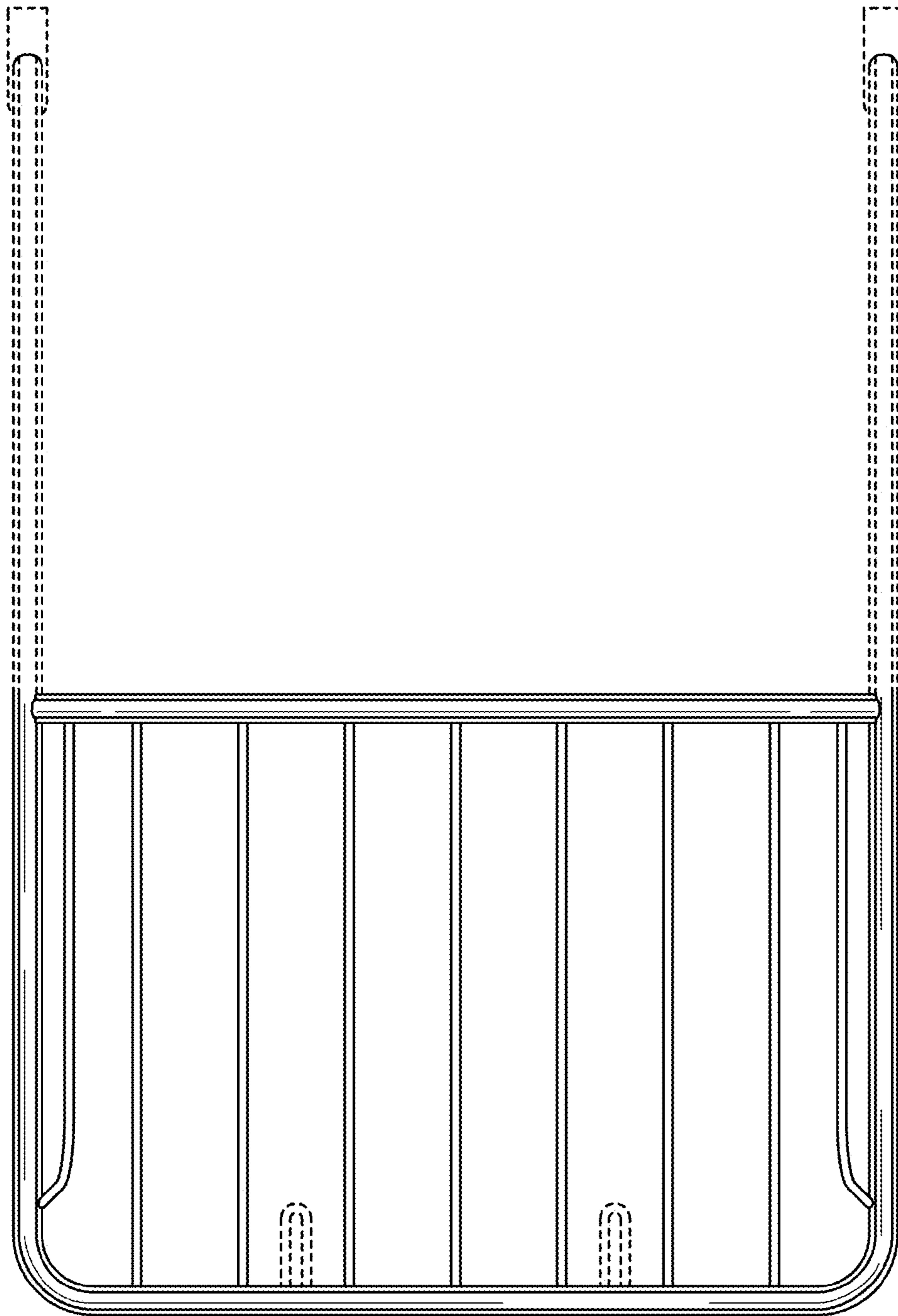


FIG. 2

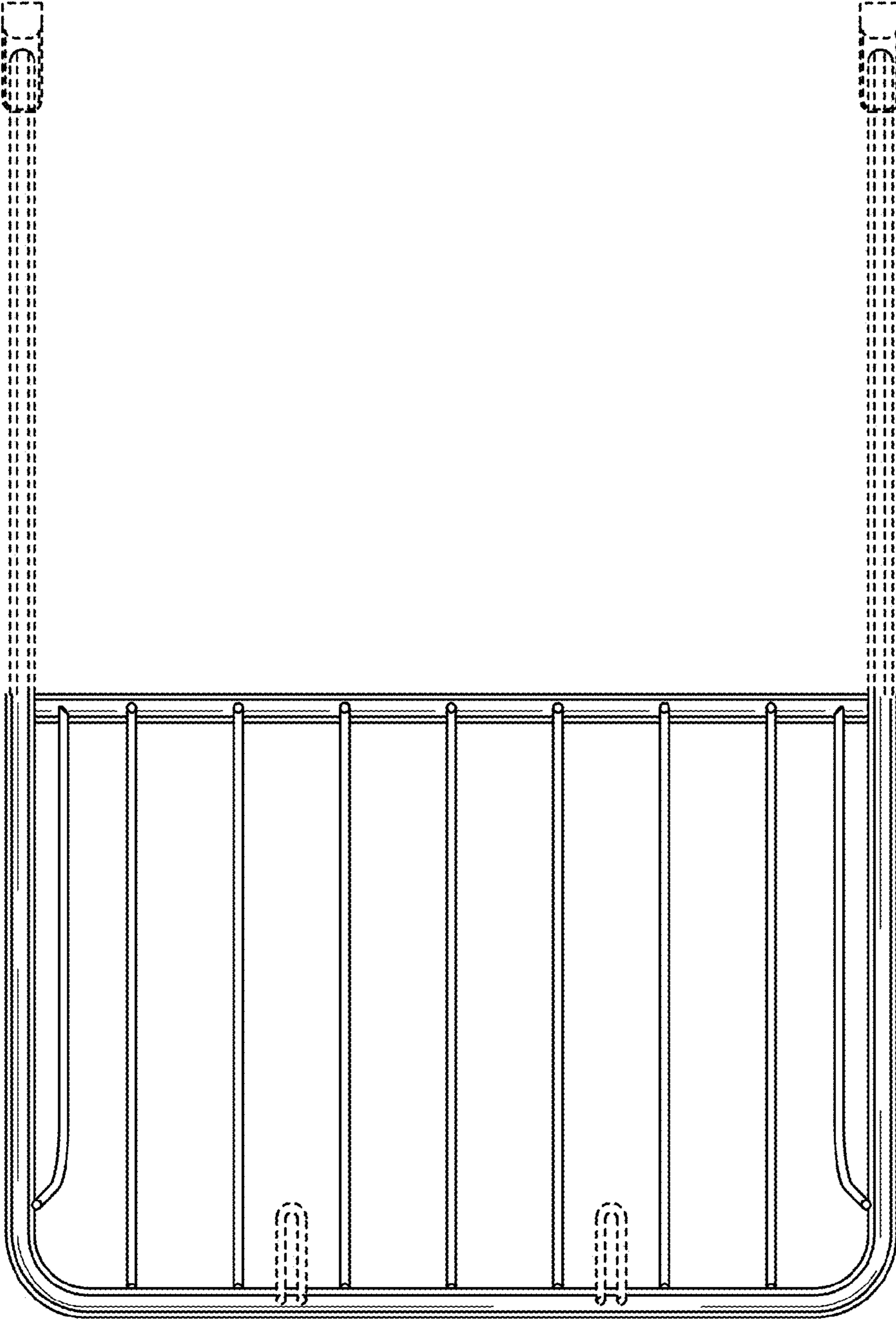


FIG. 3

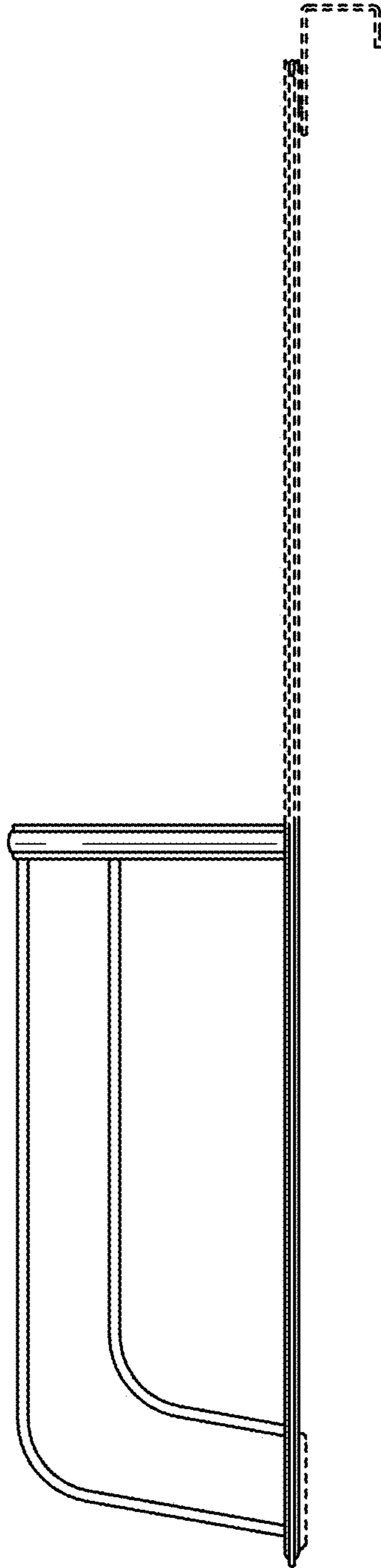


FIG. 4

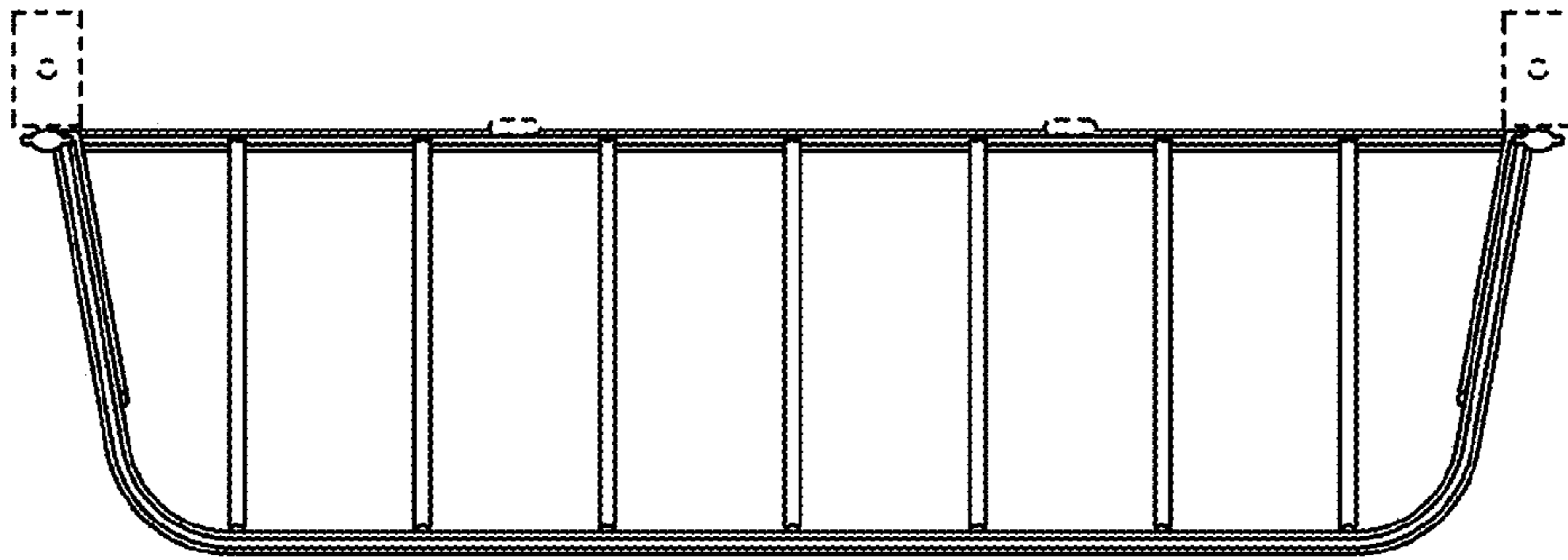


FIG. 5

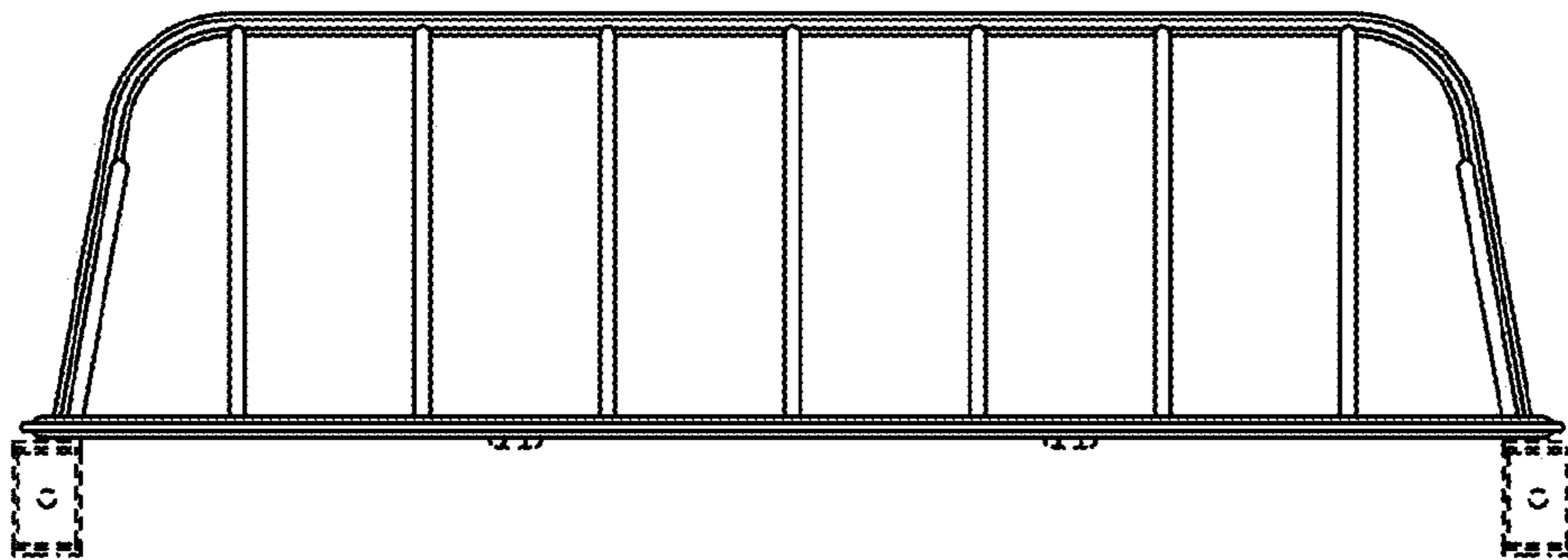


FIG. 6

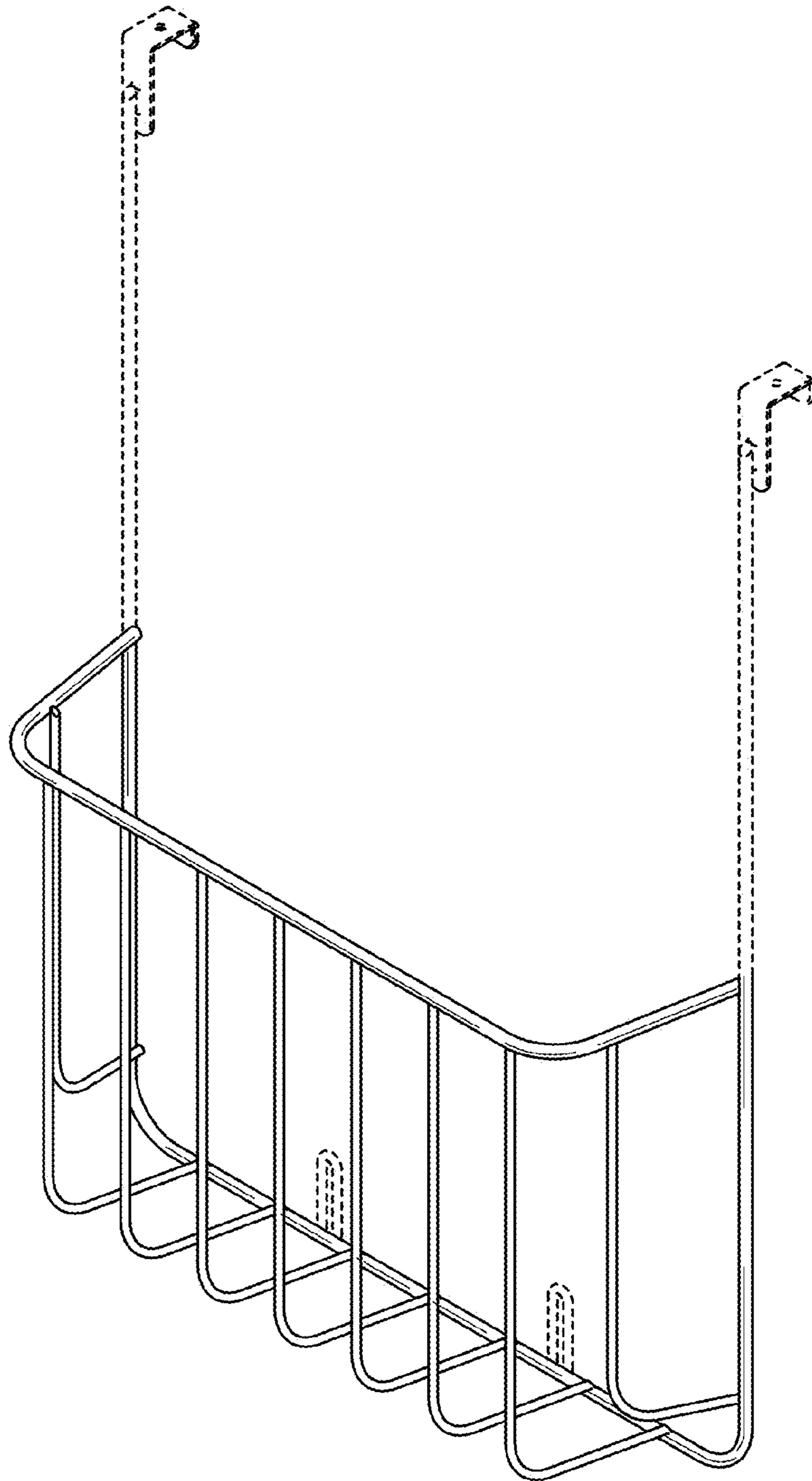


FIG. 7

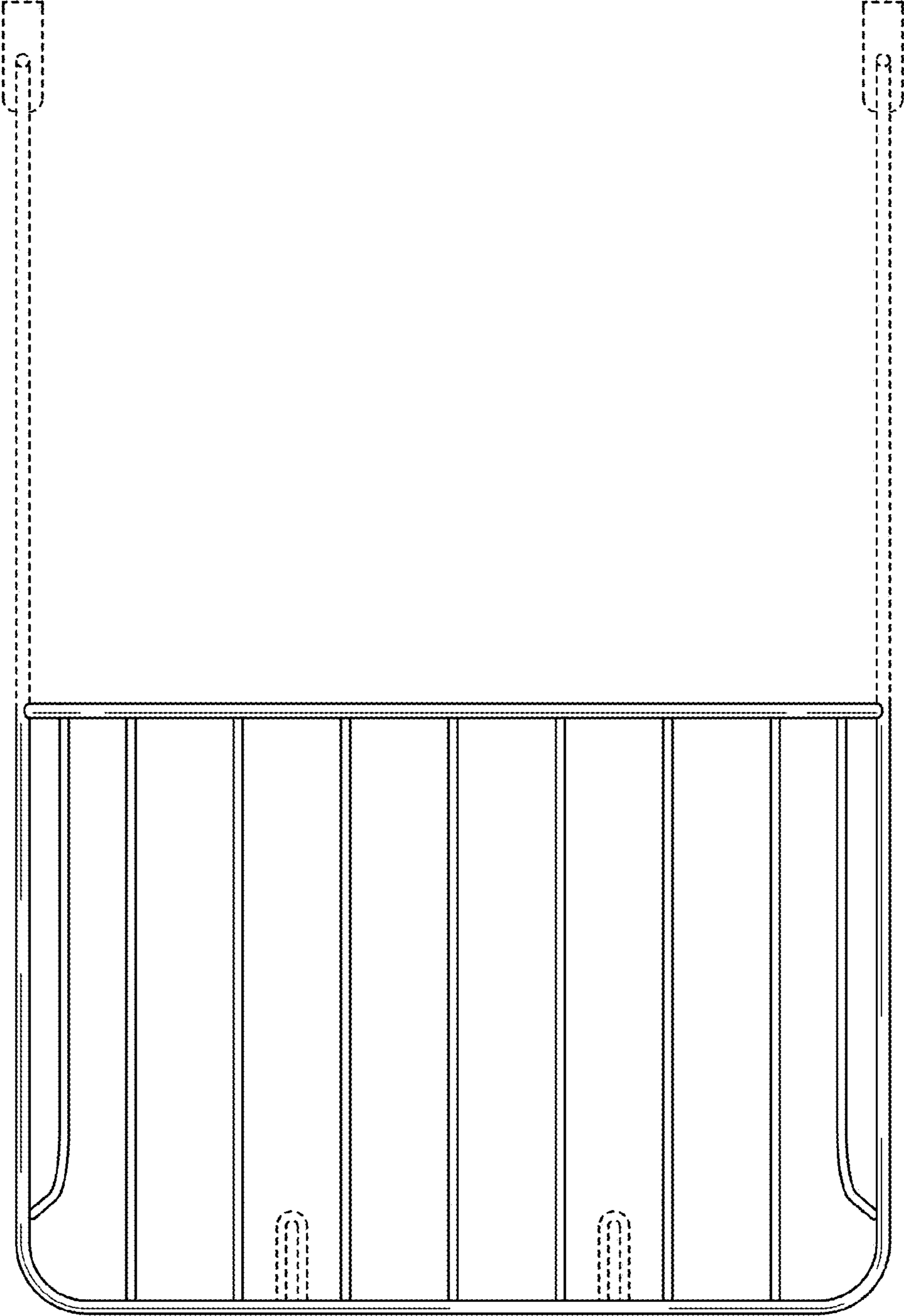


FIG. 8



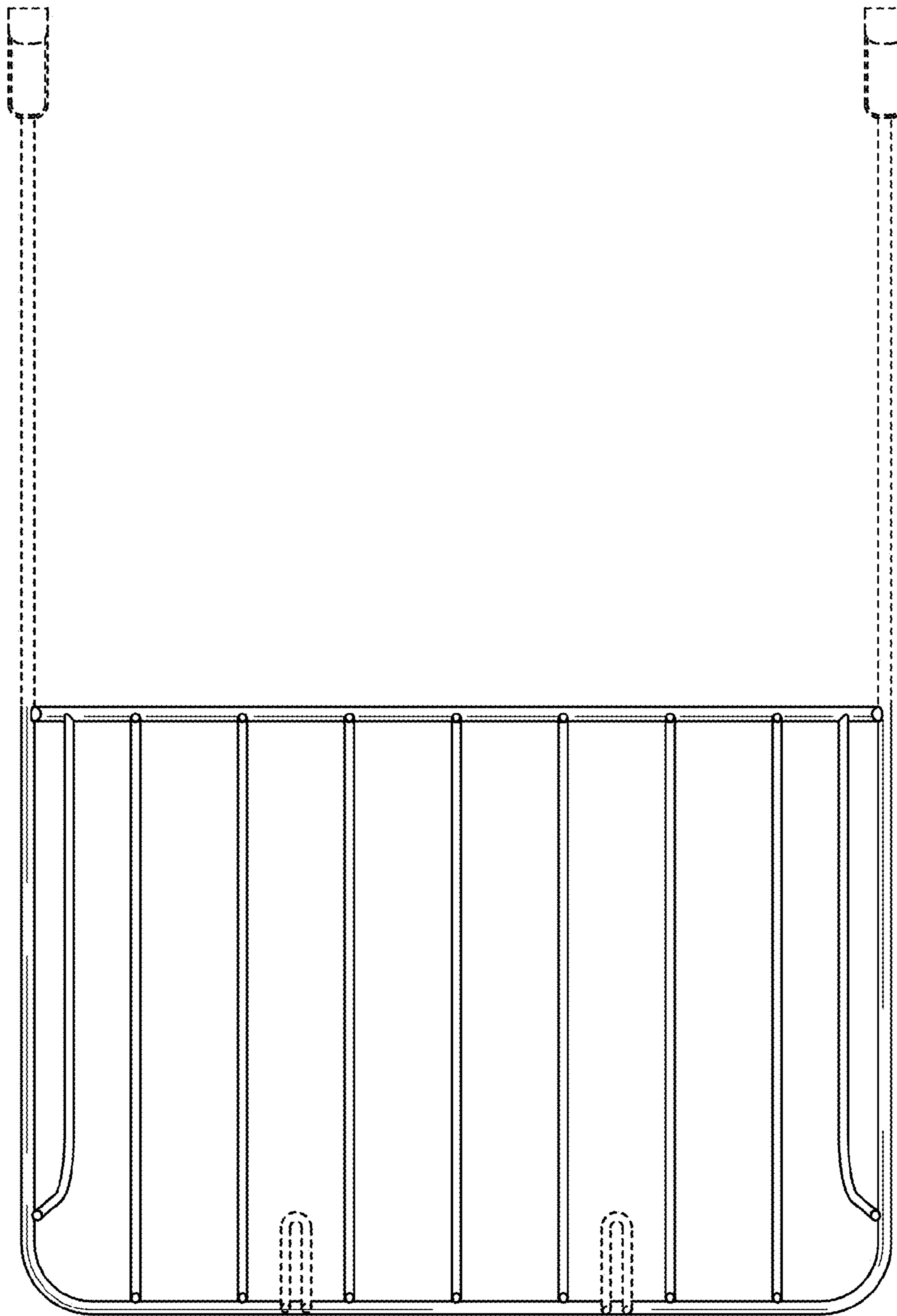


FIG. 9

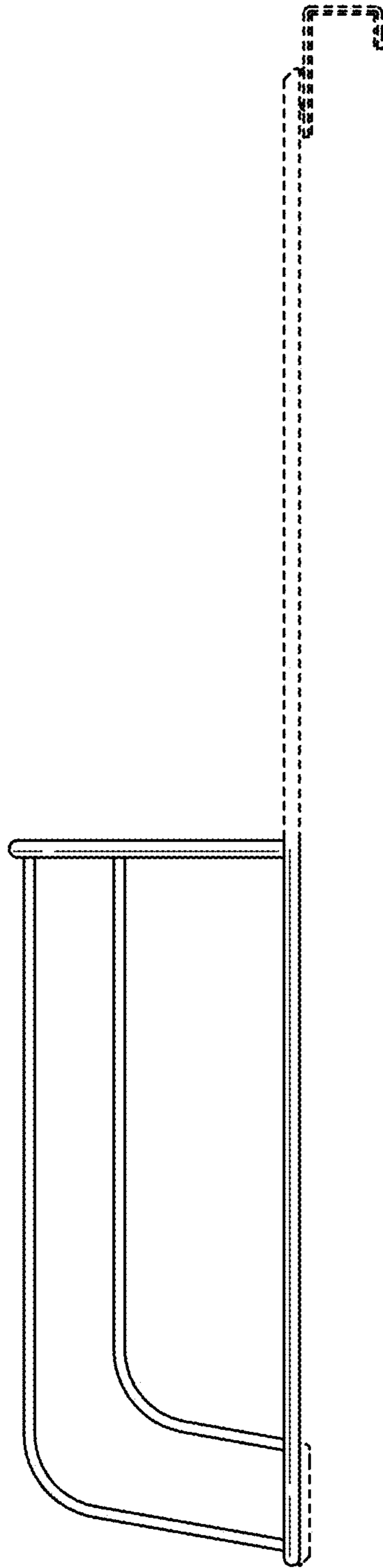


FIG. 10

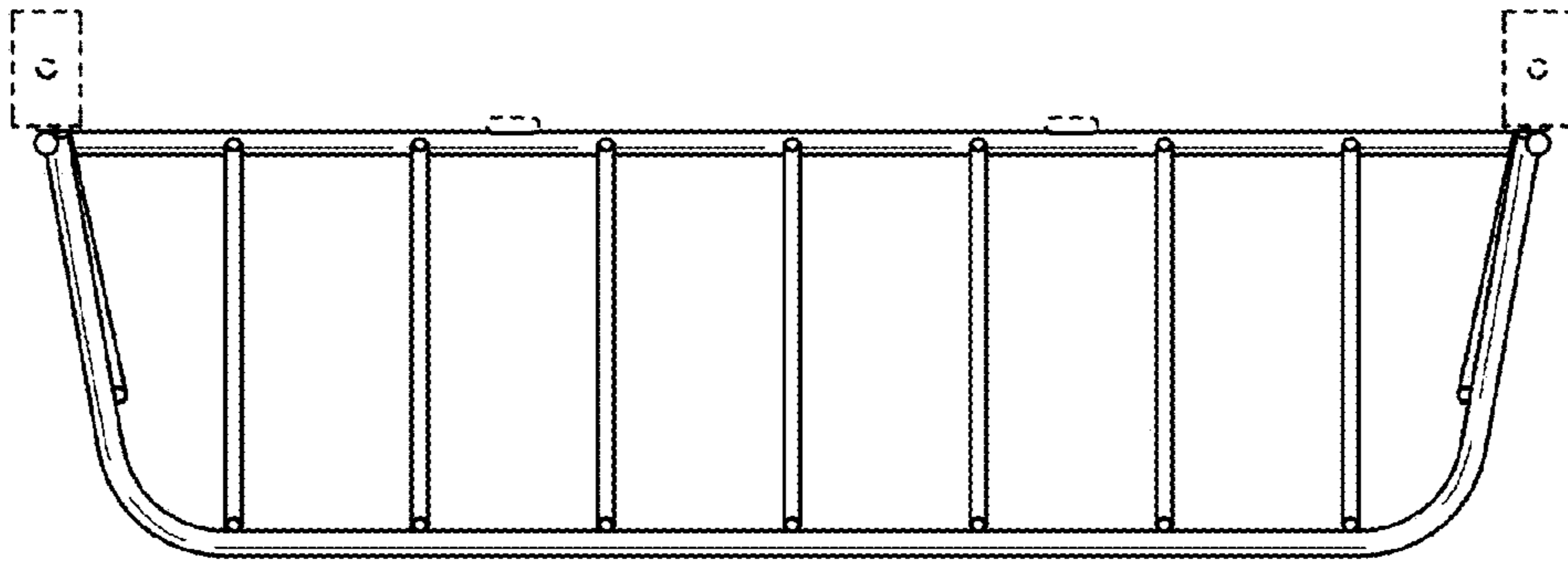


FIG. 11

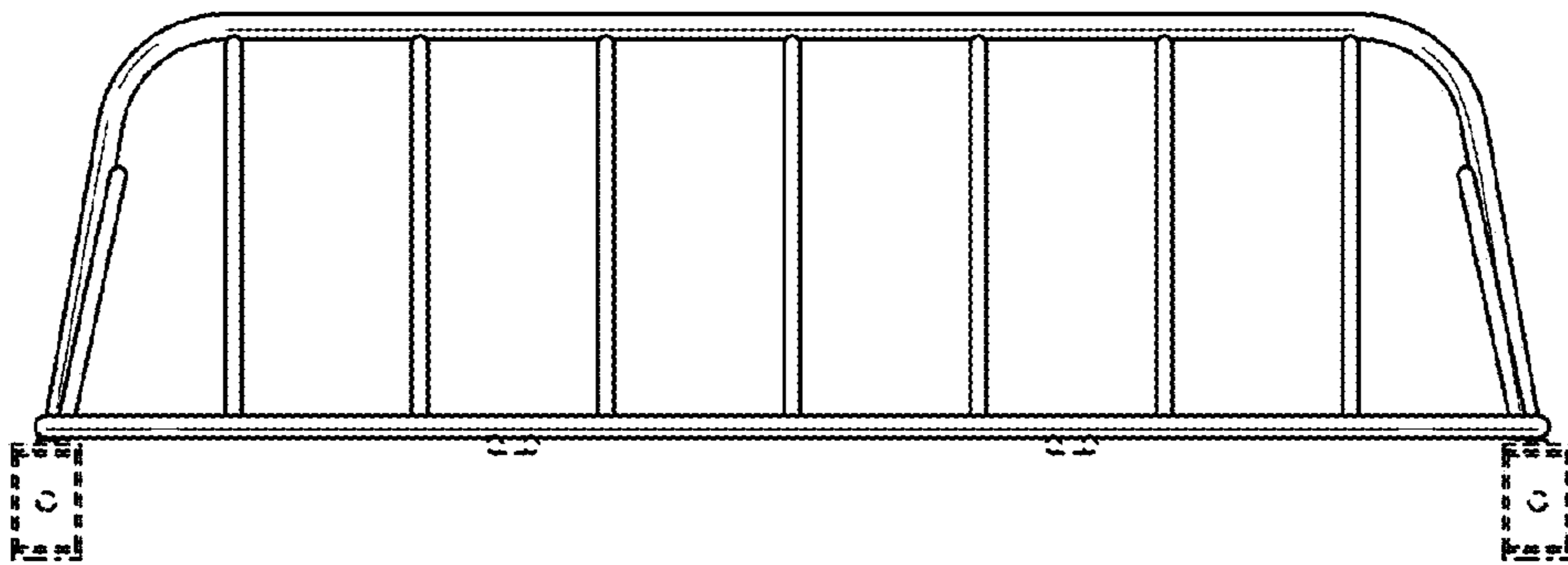


FIG. 12

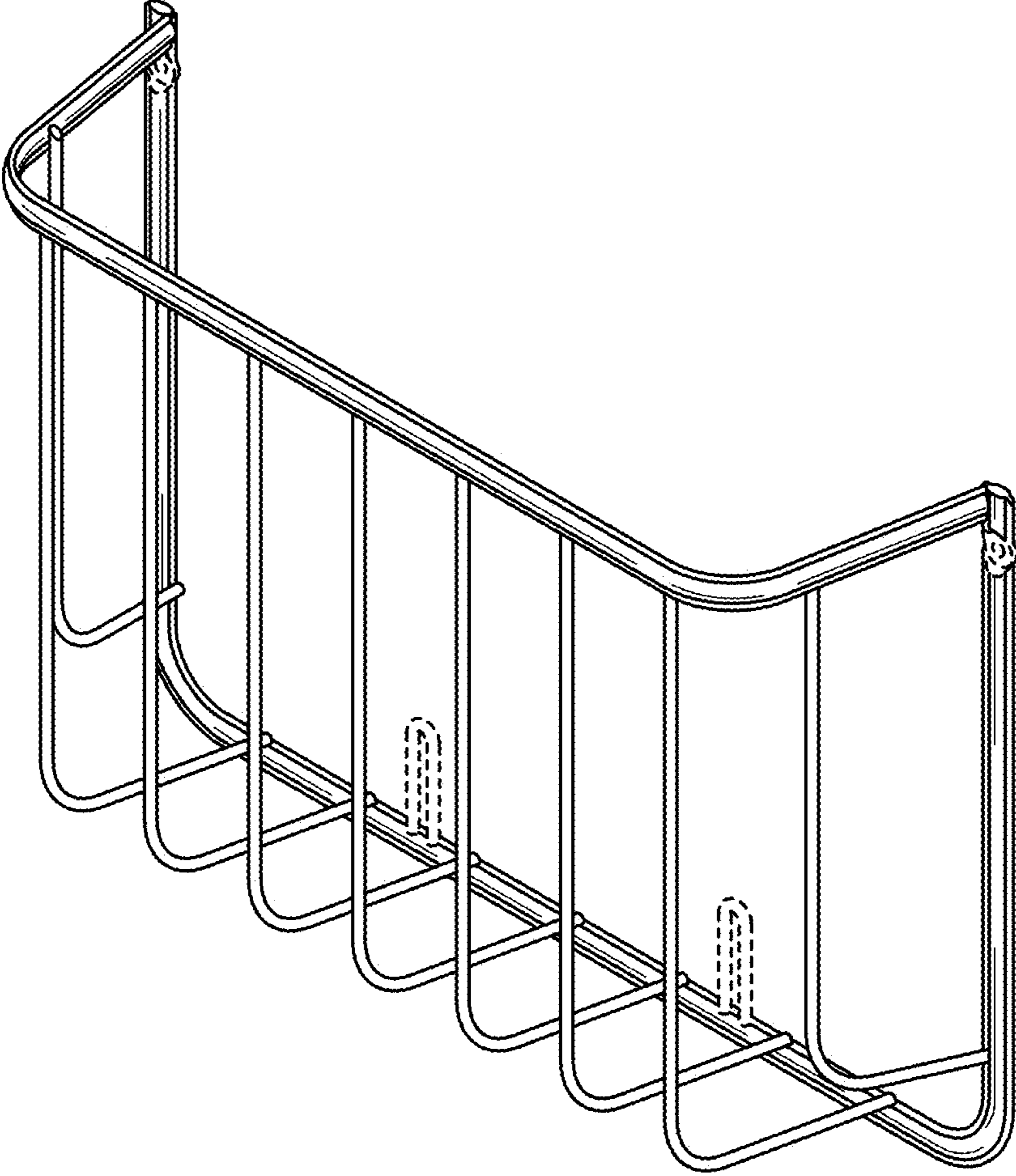


FIG. 13

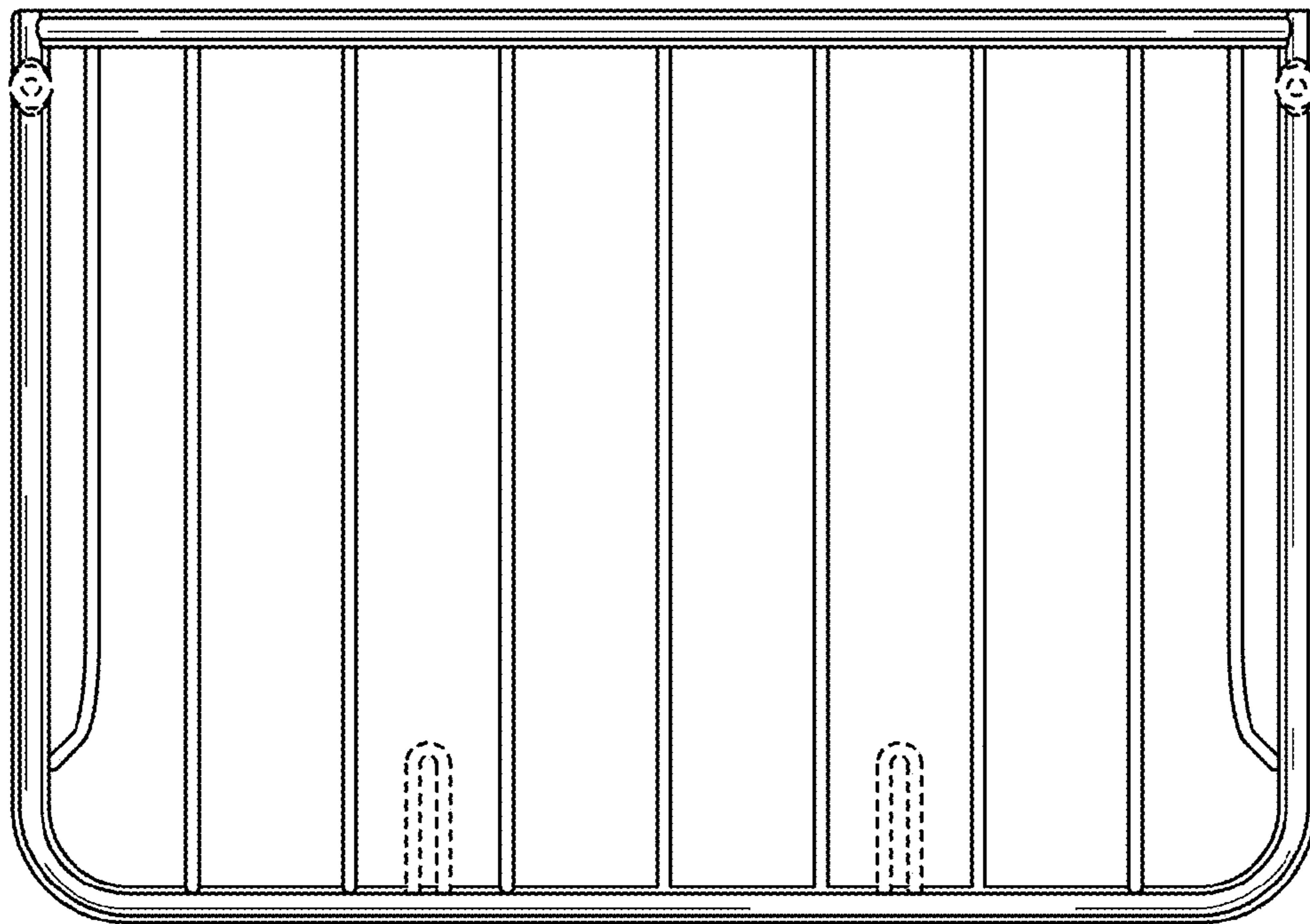


FIG. 14

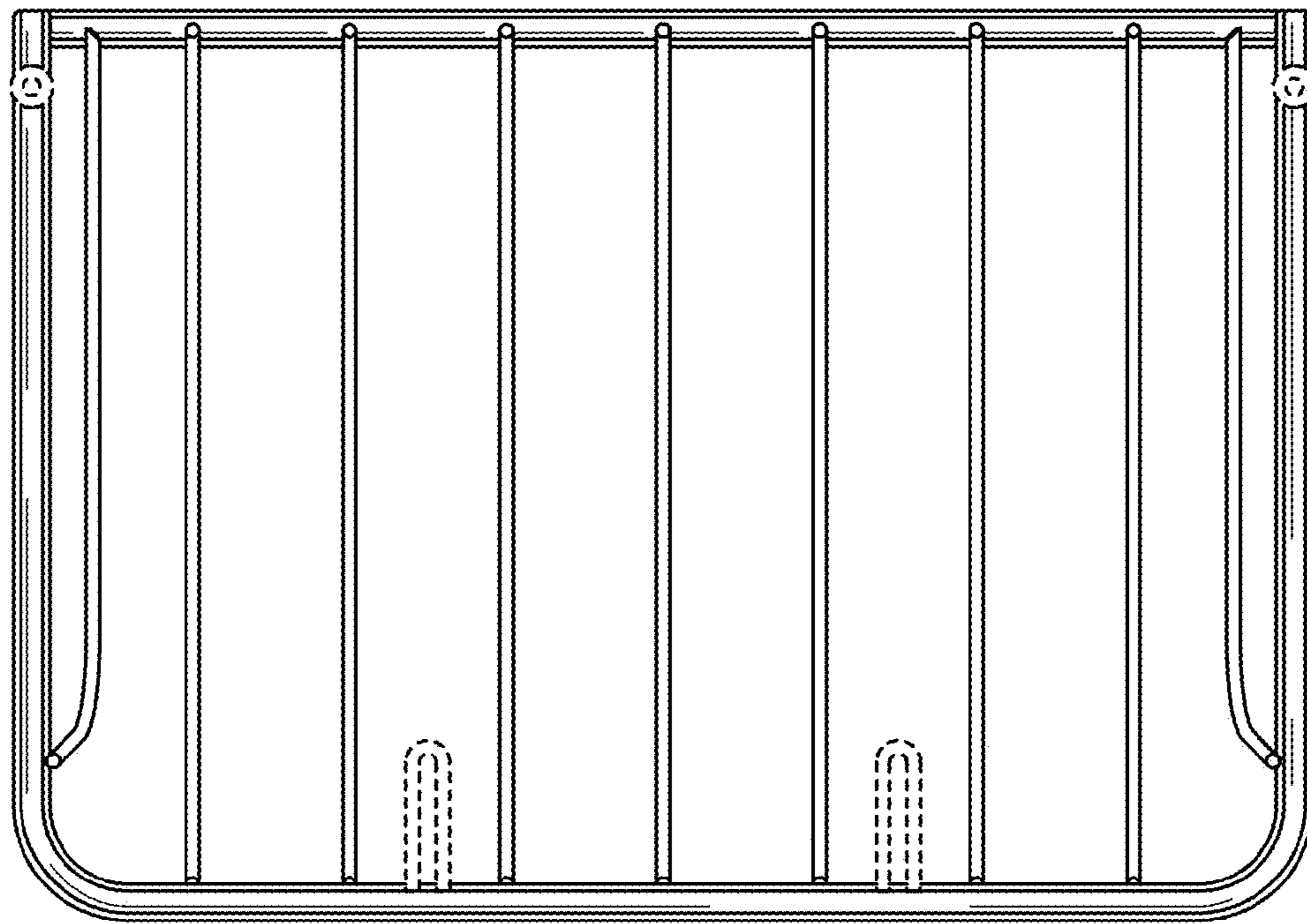


FIG. 15

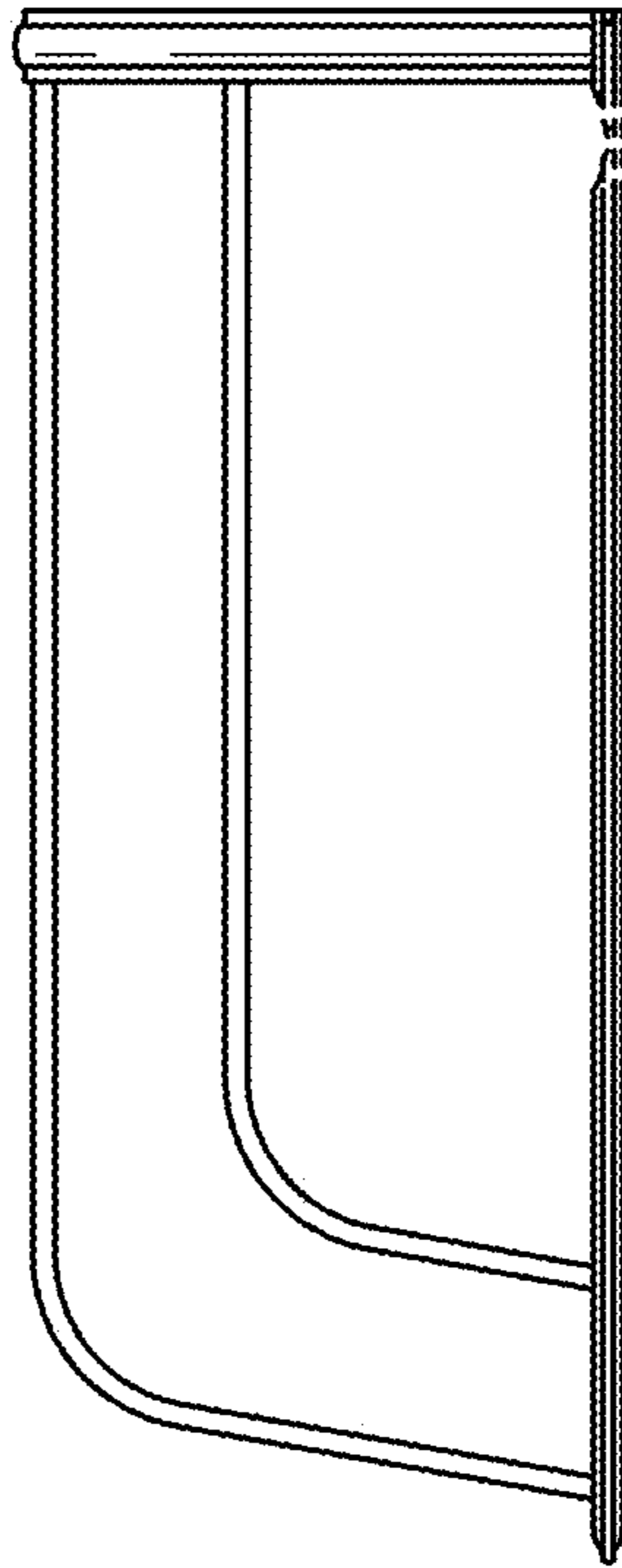


FIG. 16

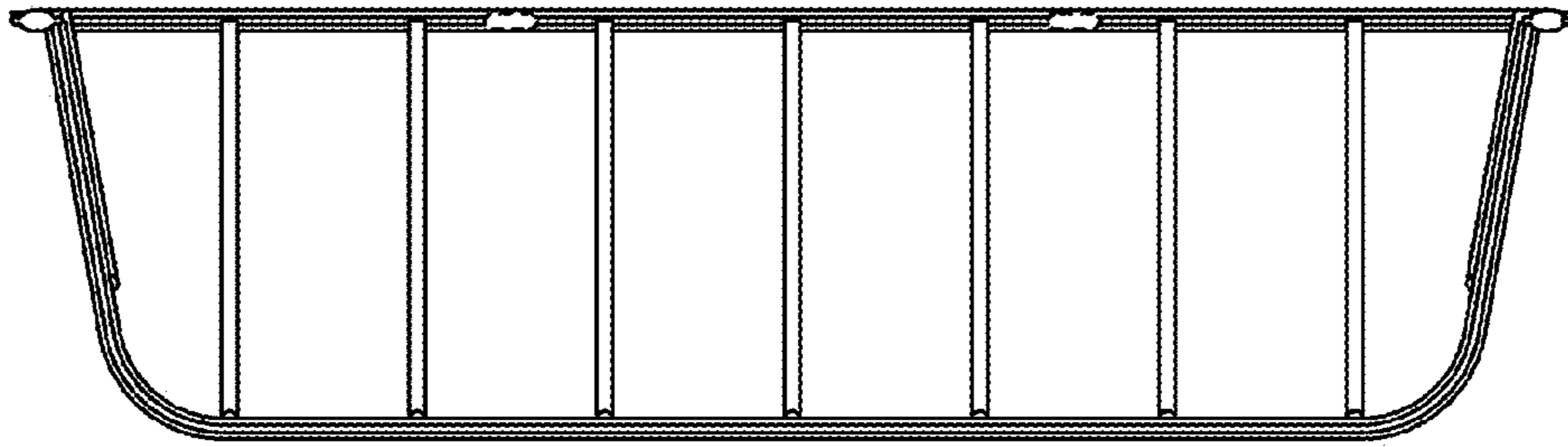


FIG. 17

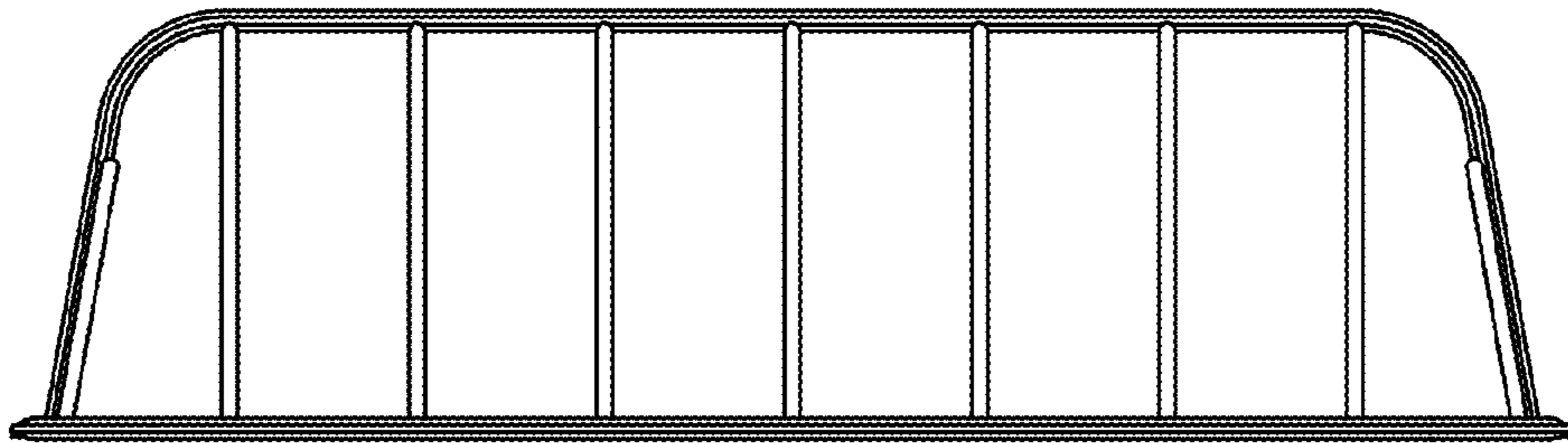


FIG. 18



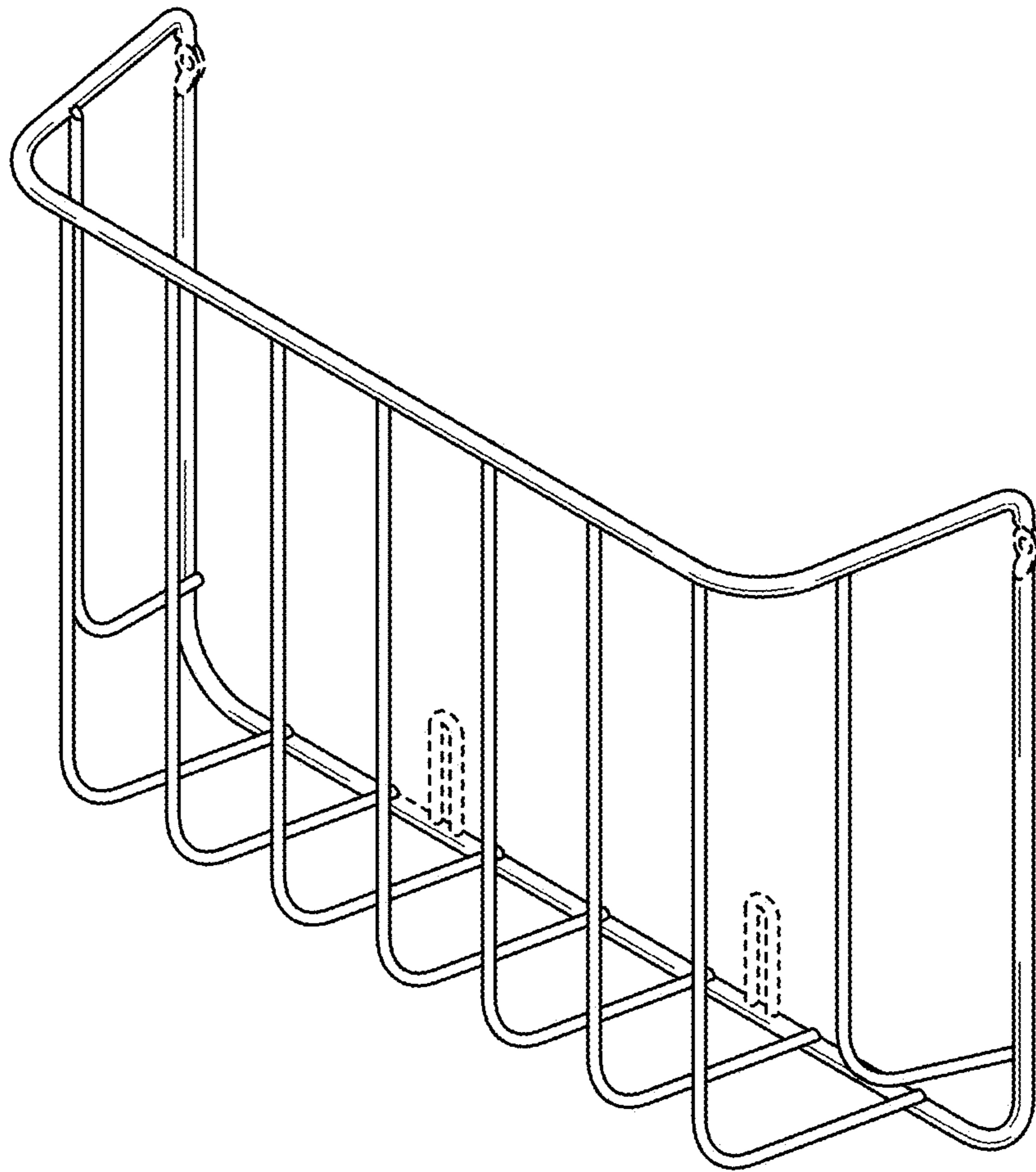


FIG. 19

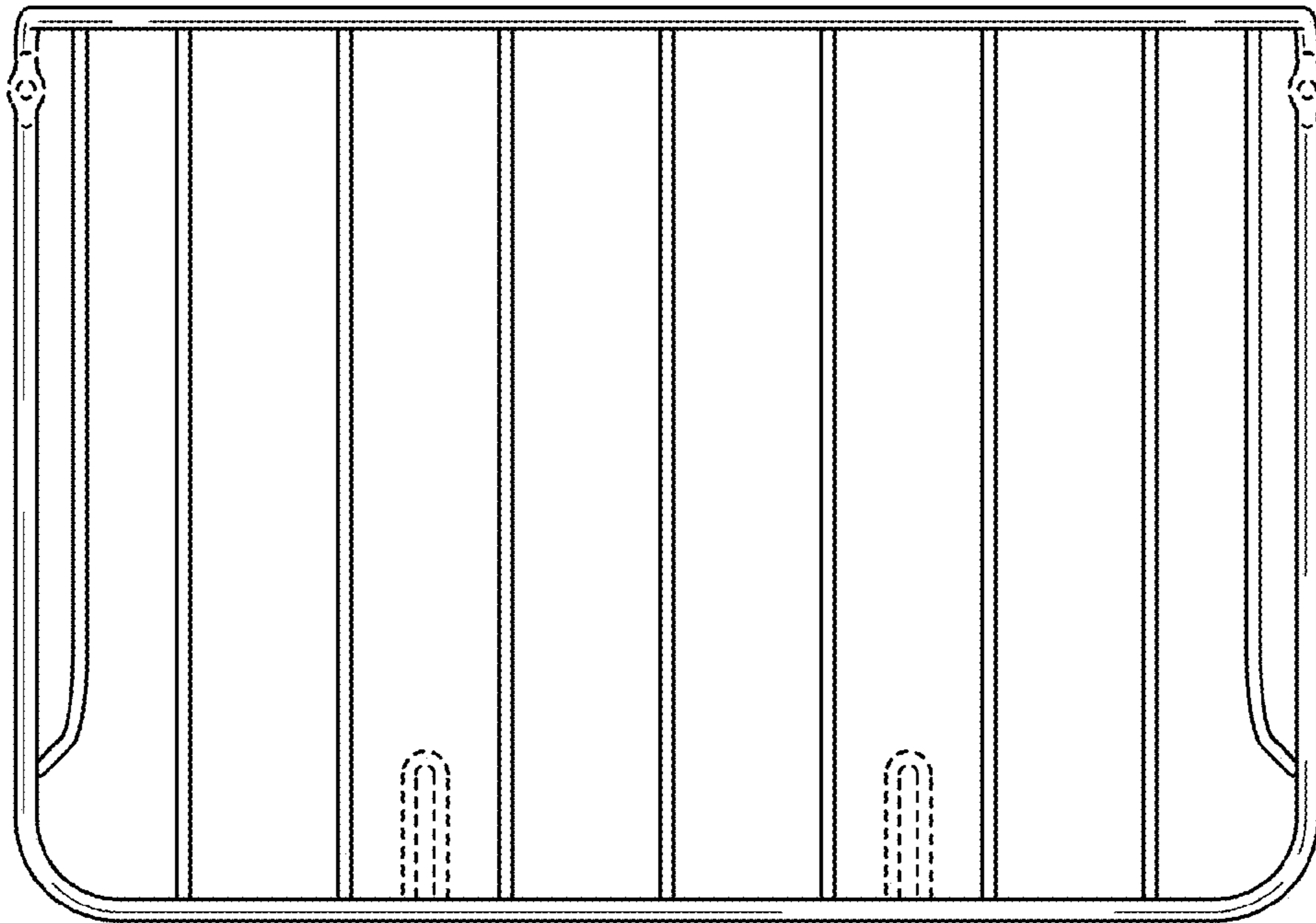


FIG. 20

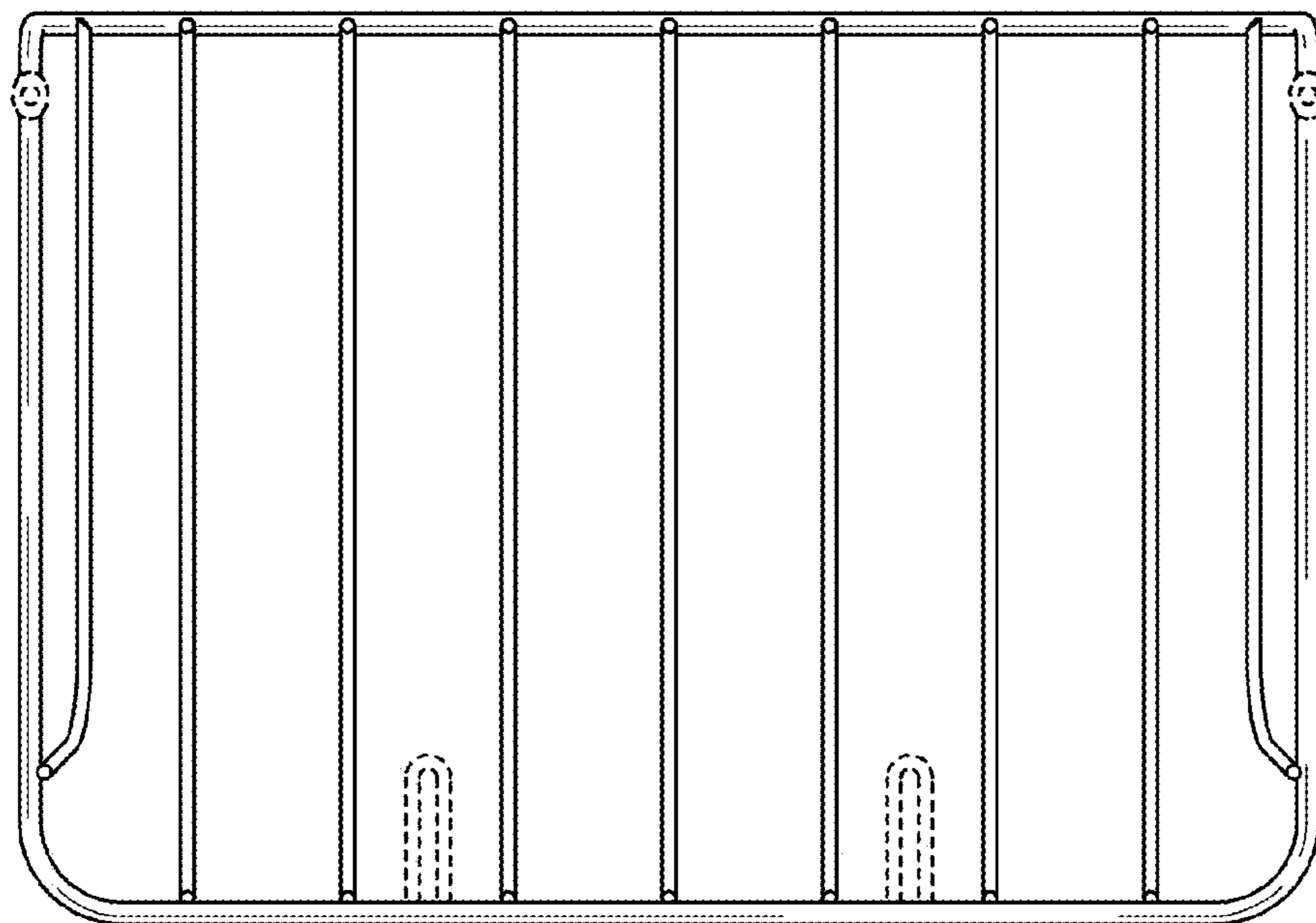


FIG. 21

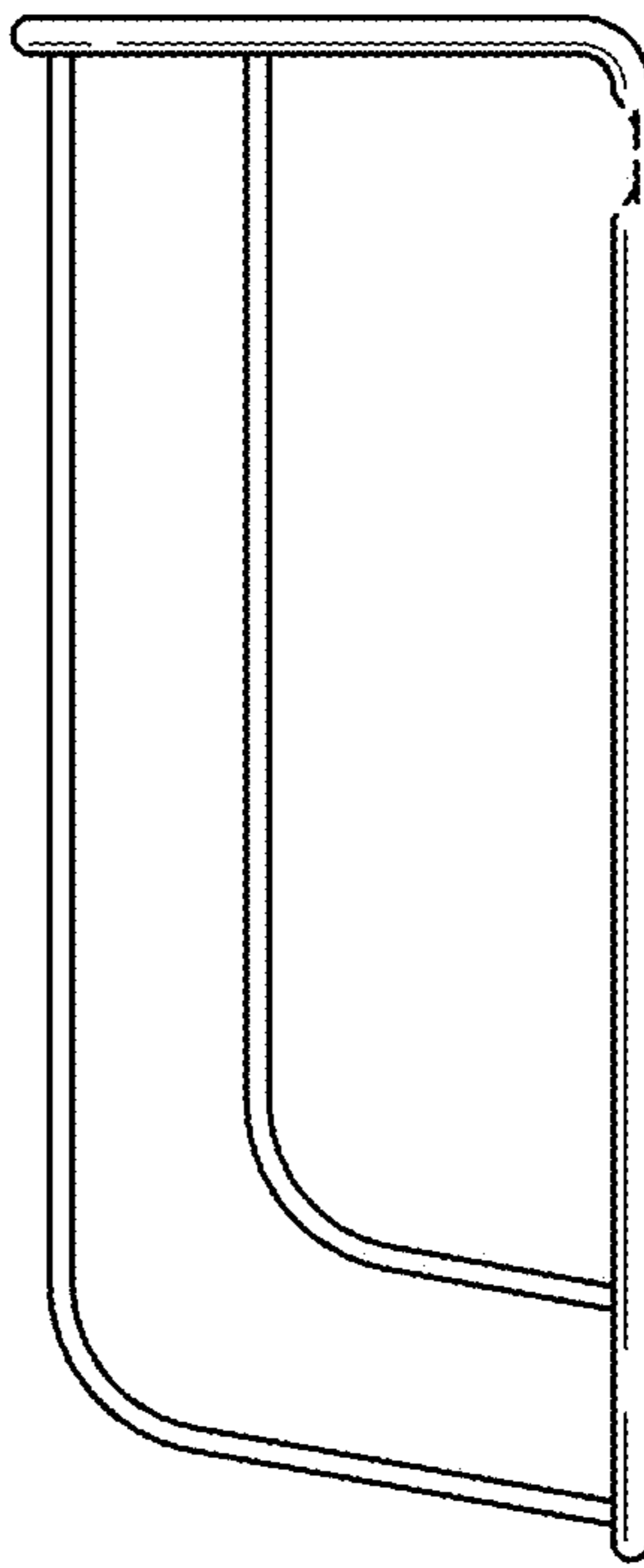


FIG. 22

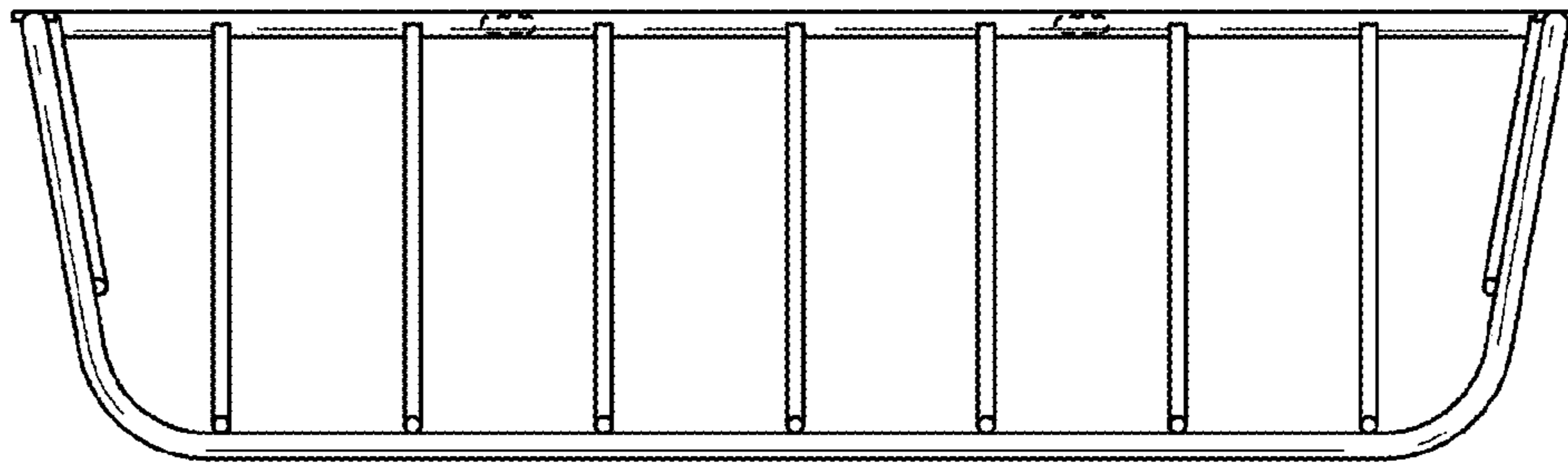


FIG. 23

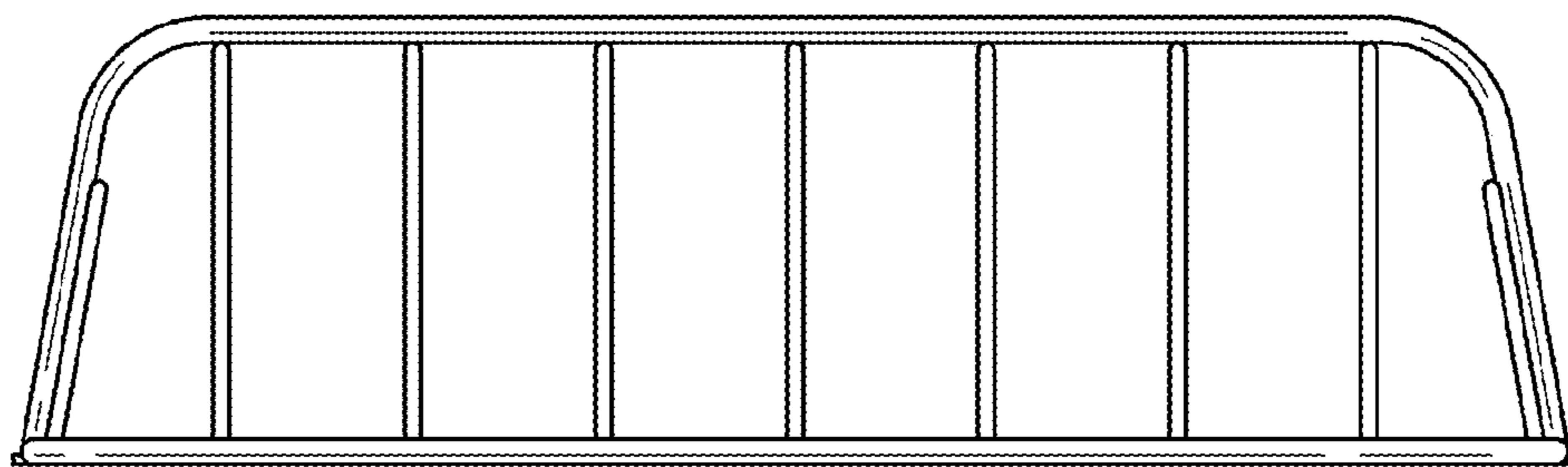


FIG. 24