

US00D762420S

(12) **United States Design Patent**
Boyden

(10) **Patent No.:** **US D762,420 S**
(45) **Date of Patent:** **** Aug. 2, 2016**

- (54) **BOWL**
- (71) Applicant: **Andrew Boyden**, Fort Wayne, IN (US)
- (72) Inventor: **Andrew Boyden**, Fort Wayne, IN (US)
- (**) Term: **14 Years**
- (21) Appl. No.: **29/519,628**
- (22) Filed: **Mar. 6, 2015**
- (51) **LOC (10) Cl.** **07-01**
- (52) **U.S. Cl.**
USPC **D7/544; D7/553.1; D7/556; D7/567;**
D7/571; D30/130
- (58) **Field of Classification Search**
USPC **D7/545, 544, 551.1, 553.1, 556, 567,**
D7/571, 702; D30/129, 130; D2/925;
220/575
CPC **A47G 19/22; A47G 23/04; F25D 3/08**
See application file for complete search history.

D563,728 S *	3/2008	Welch, III	D7/500
D602,652 S	10/2009	Horvath		
D629,974 S	12/2010	Northrop		
D642,746 S *	8/2011	Weber	D30/121
D653,000 S *	1/2012	Rutherford	D30/130
D671,278 S *	11/2012	Man	D30/129
D676,710 S *	2/2013	Kwok	D7/544
D683,190 S	5/2013	Shields		
D701,424 S *	3/2014	Shamoon	D10/46.2
D704,392 S	5/2014	Fang		
D708,904 S *	7/2014	Coyle	D7/544
D752,393 S *	3/2016	Boyden	D7/515
D752,394 S *	3/2016	Boyden	D7/515

FOREIGN PATENT DOCUMENTS

CN	302867330	7/2014
CN	302890952	7/2014

* cited by examiner

Primary Examiner — Marianne Pandozzi

(57) **CLAIM**

The ornamental design for a bowl, as shown and described.

DESCRIPTION

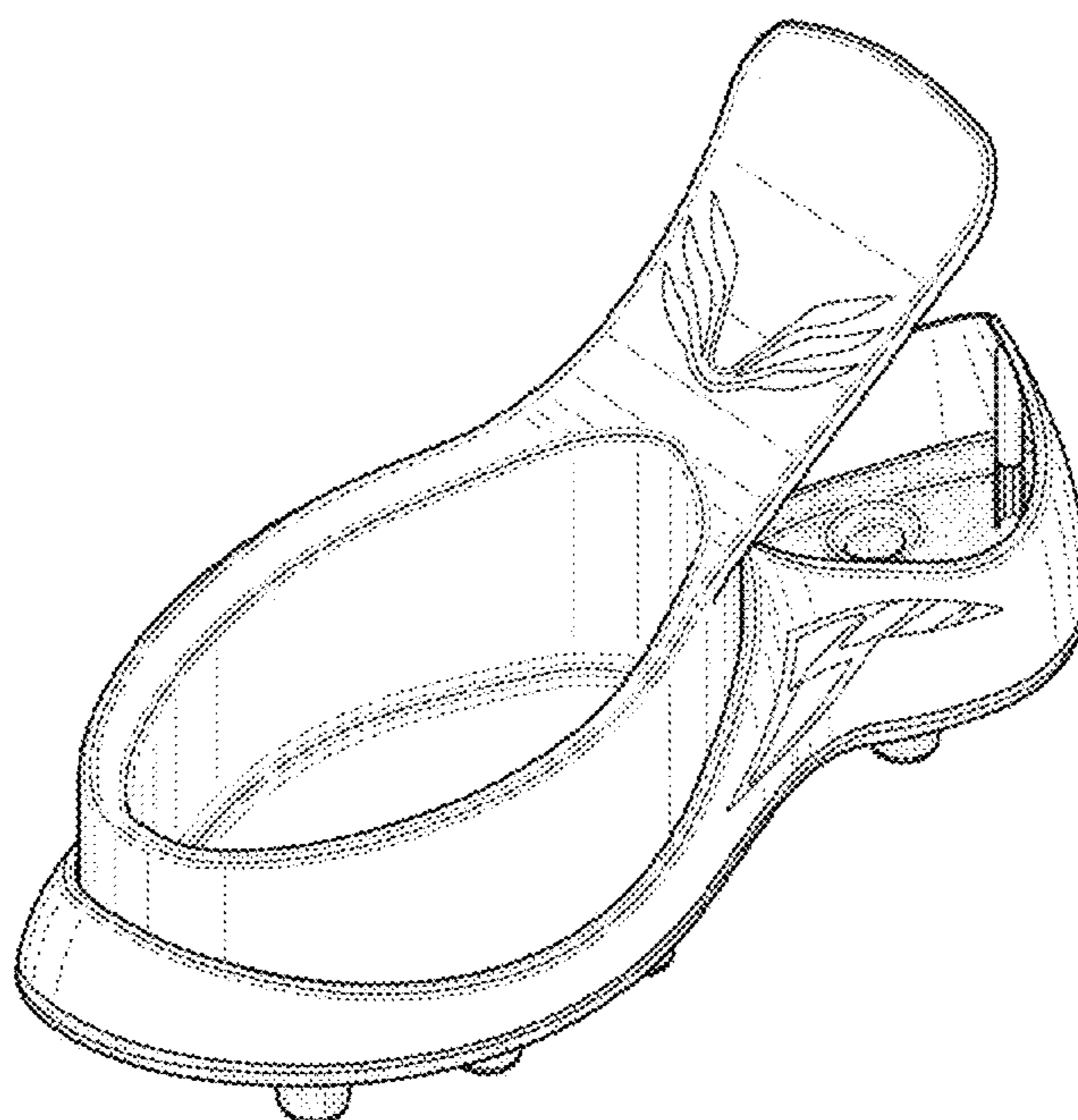
FIG. 1 is a perspective view of a bowl showing my new design;
 FIG. 2 is a front view thereof;
 FIG. 3 is a rear view thereof;
 FIG. 4 is a left side view thereof;
 FIG. 5 is a right view thereof;
 FIG. 6 is a top view thereof;
 FIG. 7 is a bottom view thereof; and,
 FIG. 8 is an exploded perspective view thereof.

1 Claim, 6 Drawing Sheets

(56) **References Cited**

U.S. PATENT DOCUMENTS

D151,473 S	10/1948	Stahler		
D155,474 S *	10/1949	Berch	D7/502
D164,077 S *	7/1951	Wendell	D7/556
D237,568 S	11/1975	Nelson		
D288,511 S *	3/1987	Sullivan	D21/544
D300,278 S	3/1989	Morrell		
D306,113 S *	2/1990	McCarron	D21/420
D343,772 S *	2/1994	Hoodes	D7/543
D440,467 S *	4/2001	Kellermann	D7/543
D456,216 S *	4/2002	Kothe	D7/549
6,619,230 B1	9/2003	Kimbrough et al.		



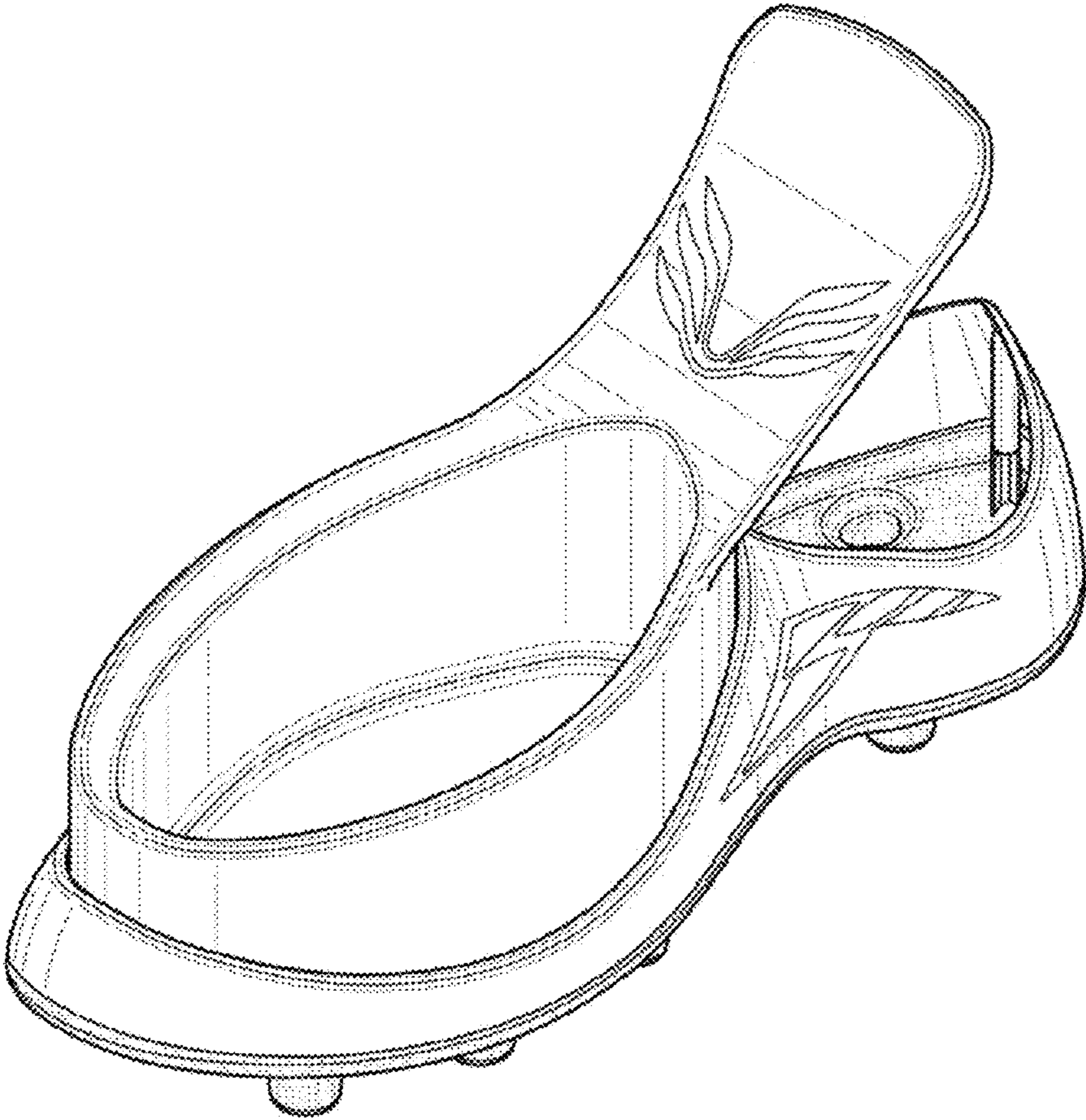


FIG. 1

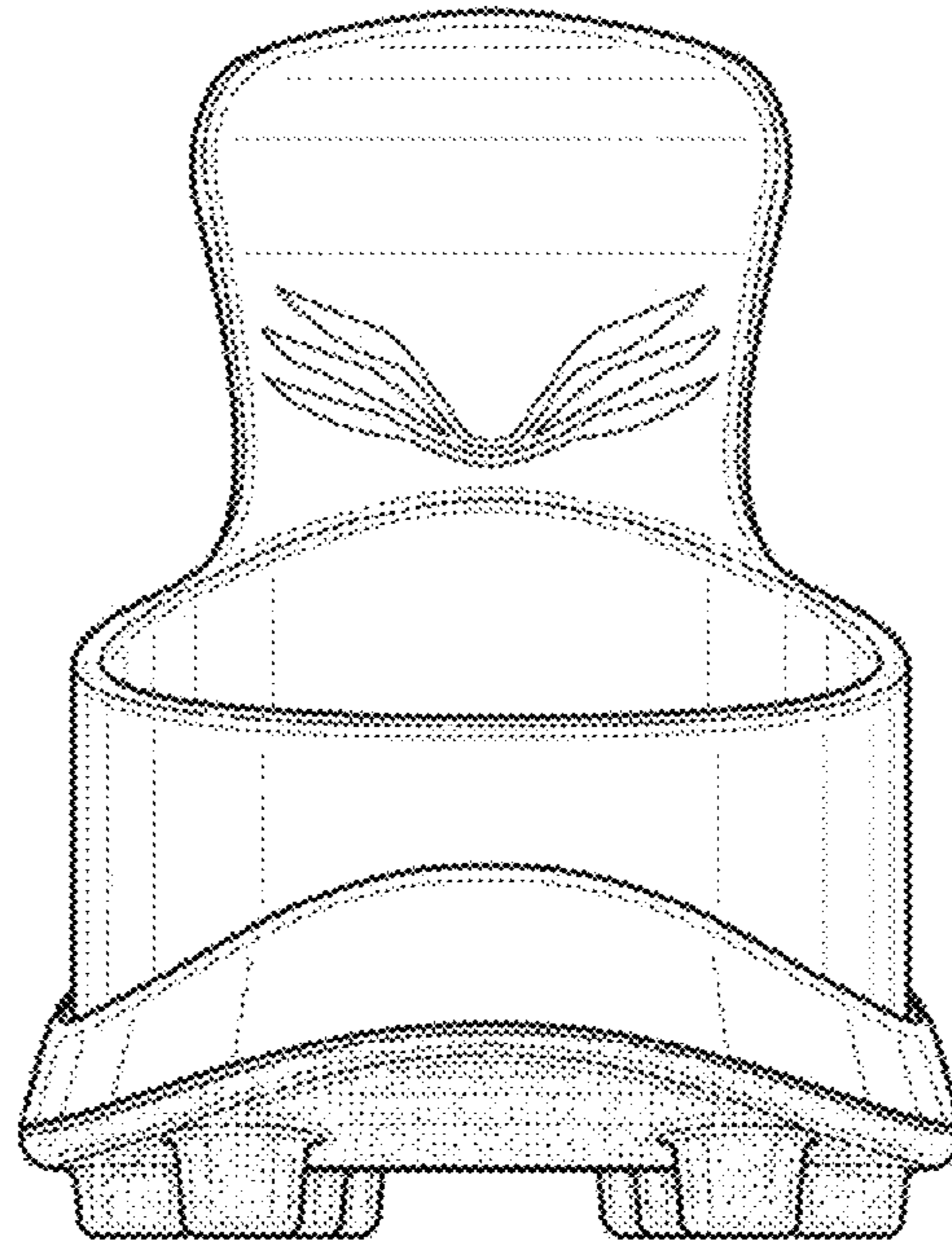


FIG. 2

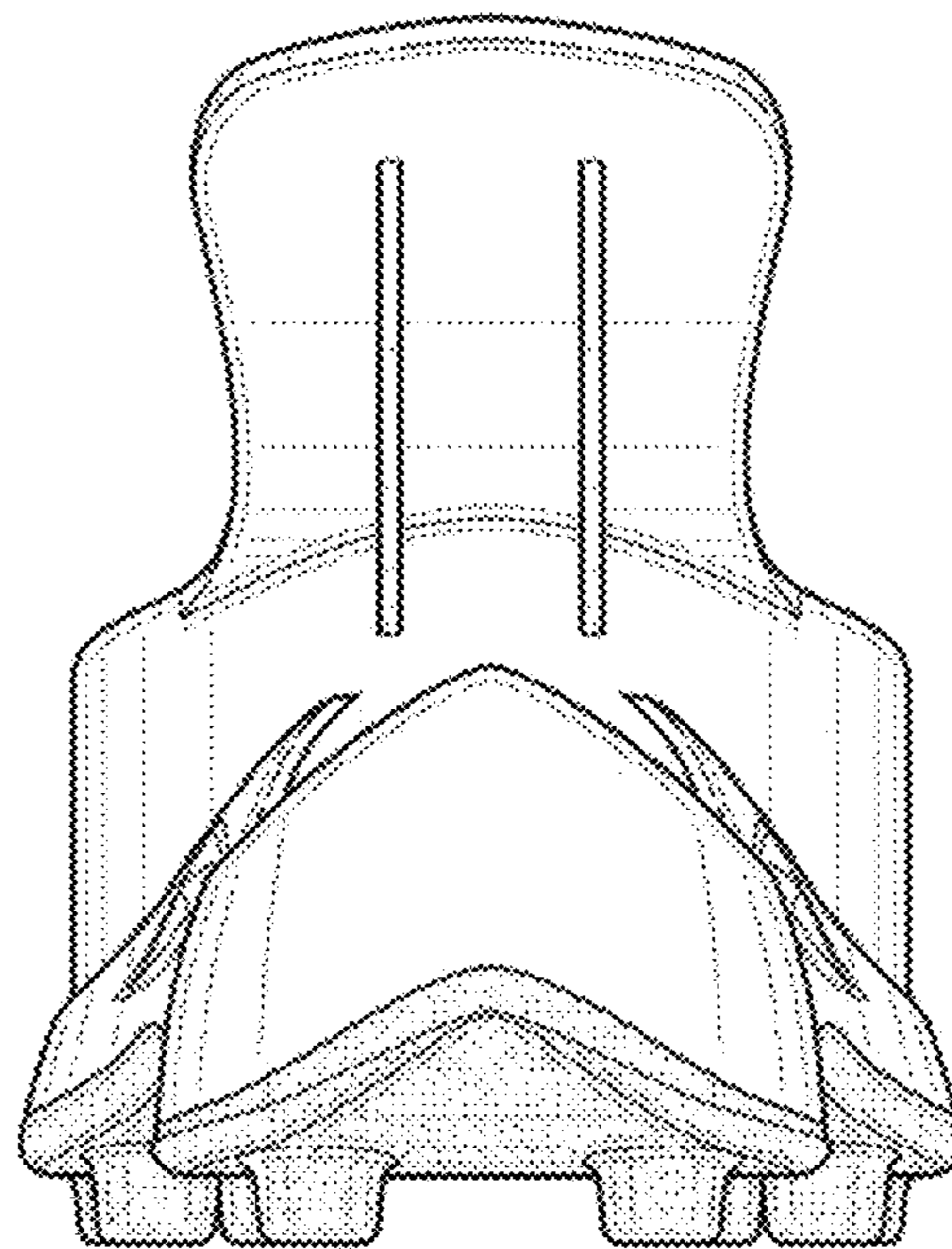


FIG. 3

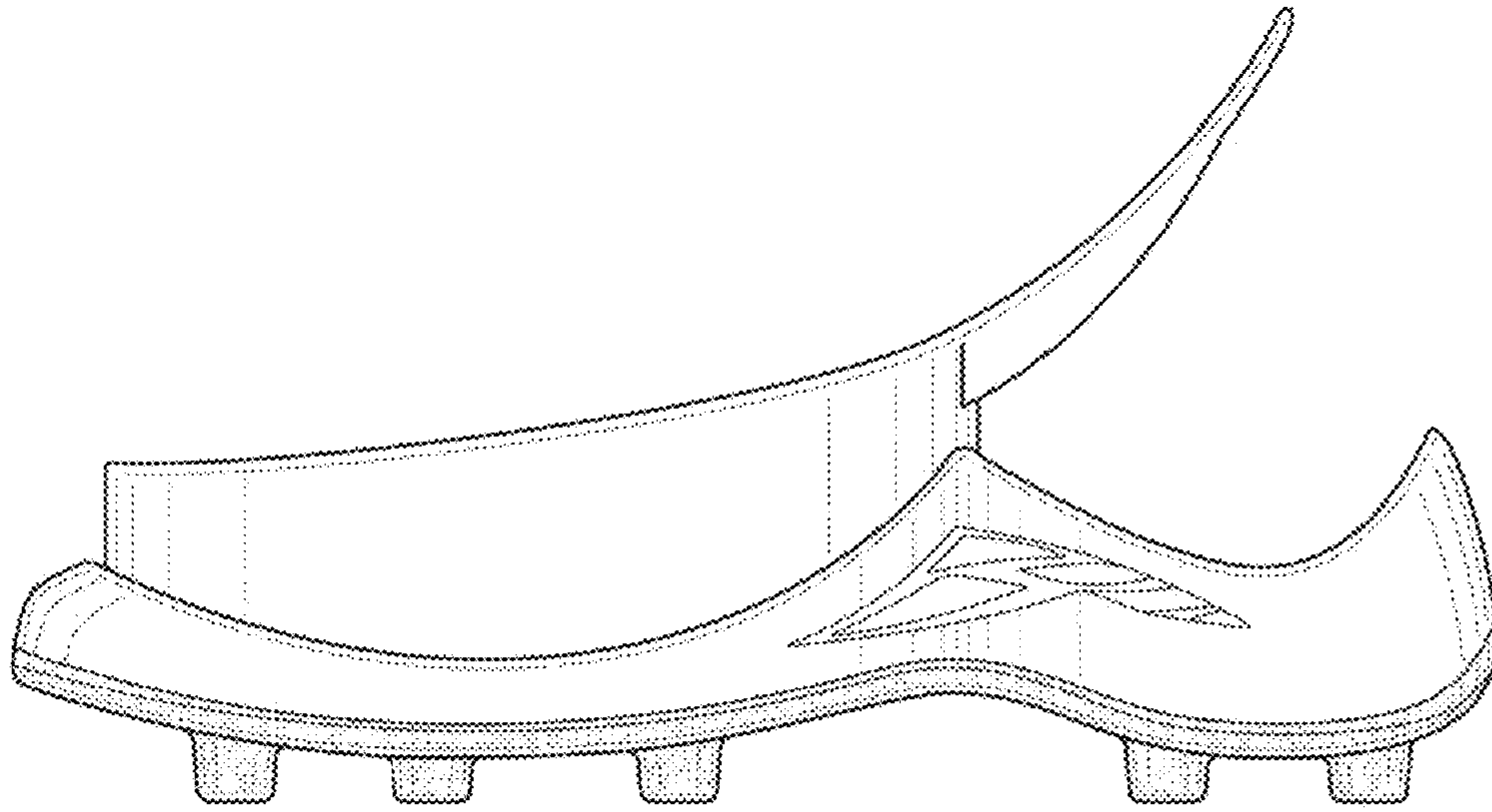


FIG. 4

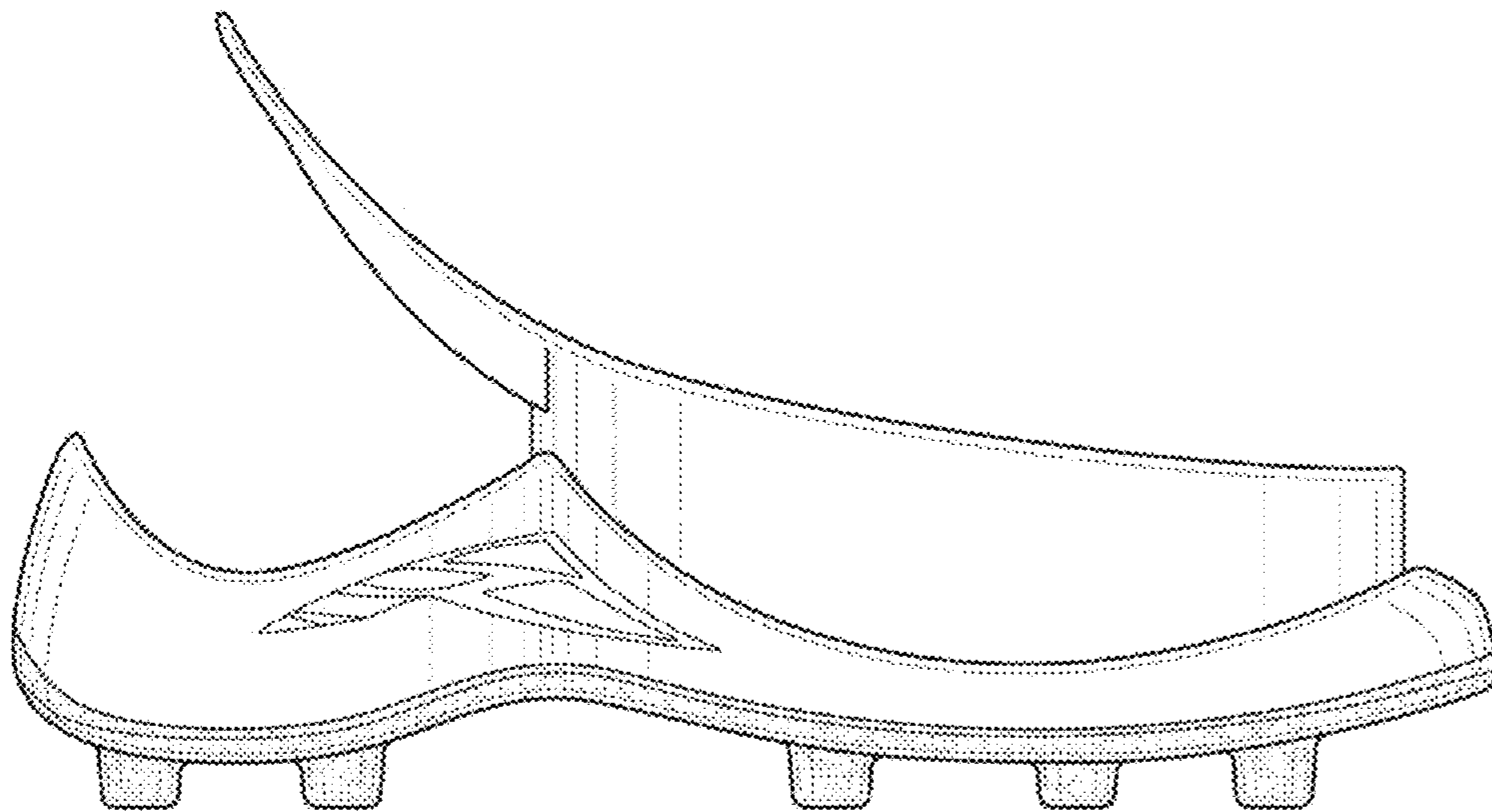


FIG. 5

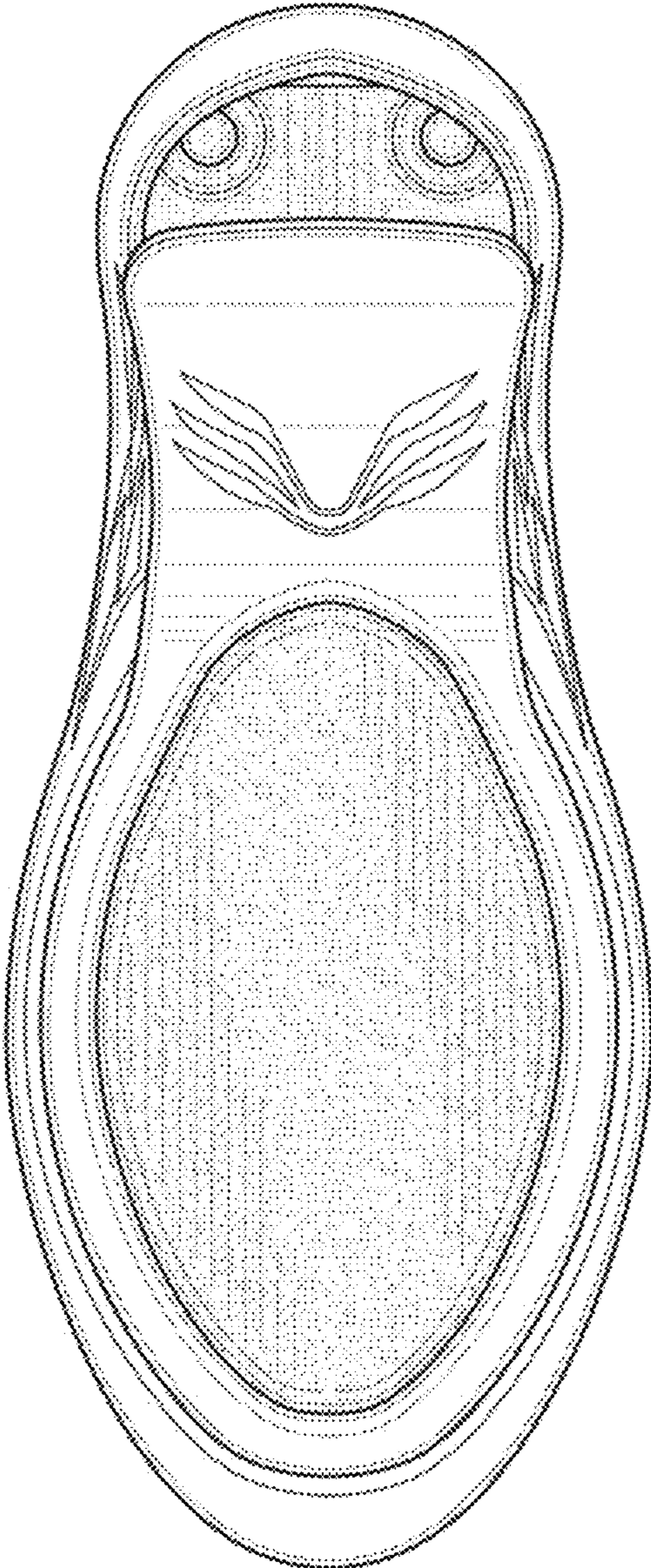


FIG. 6

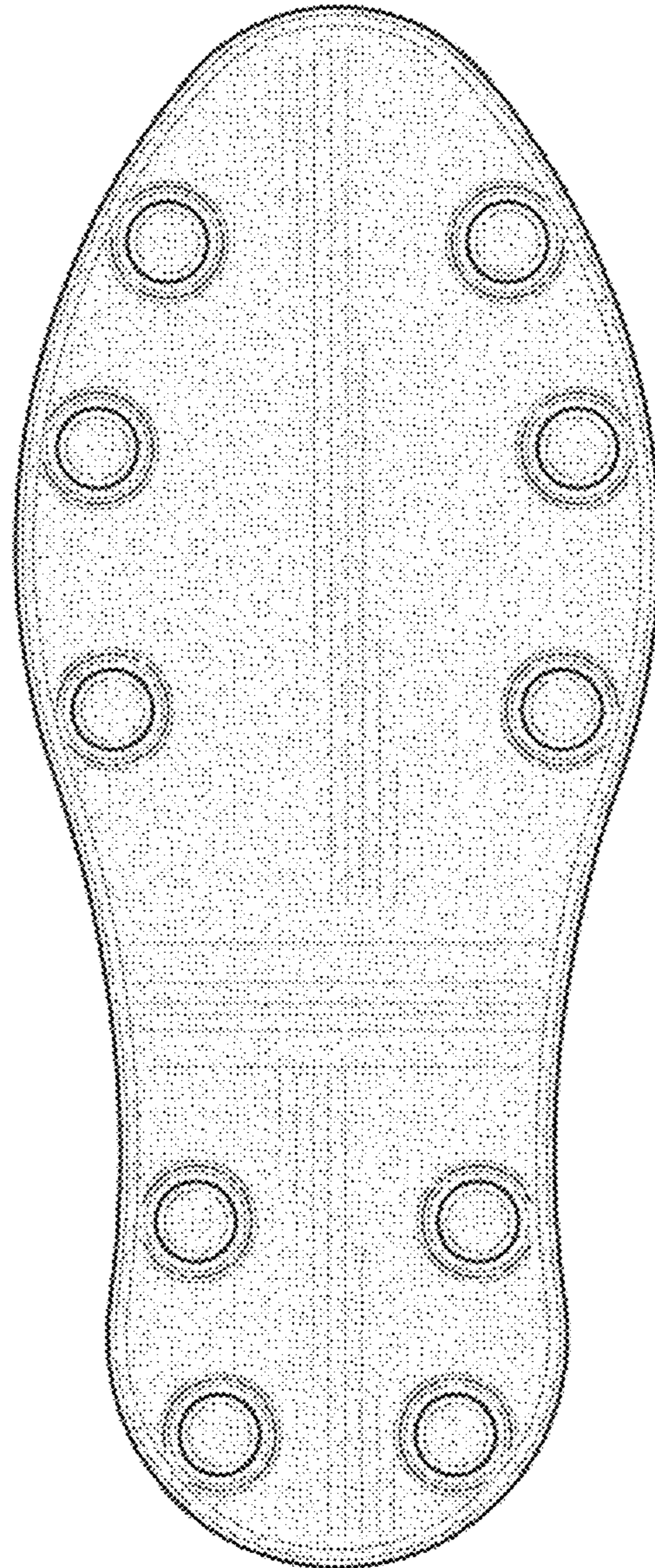


FIG. 7

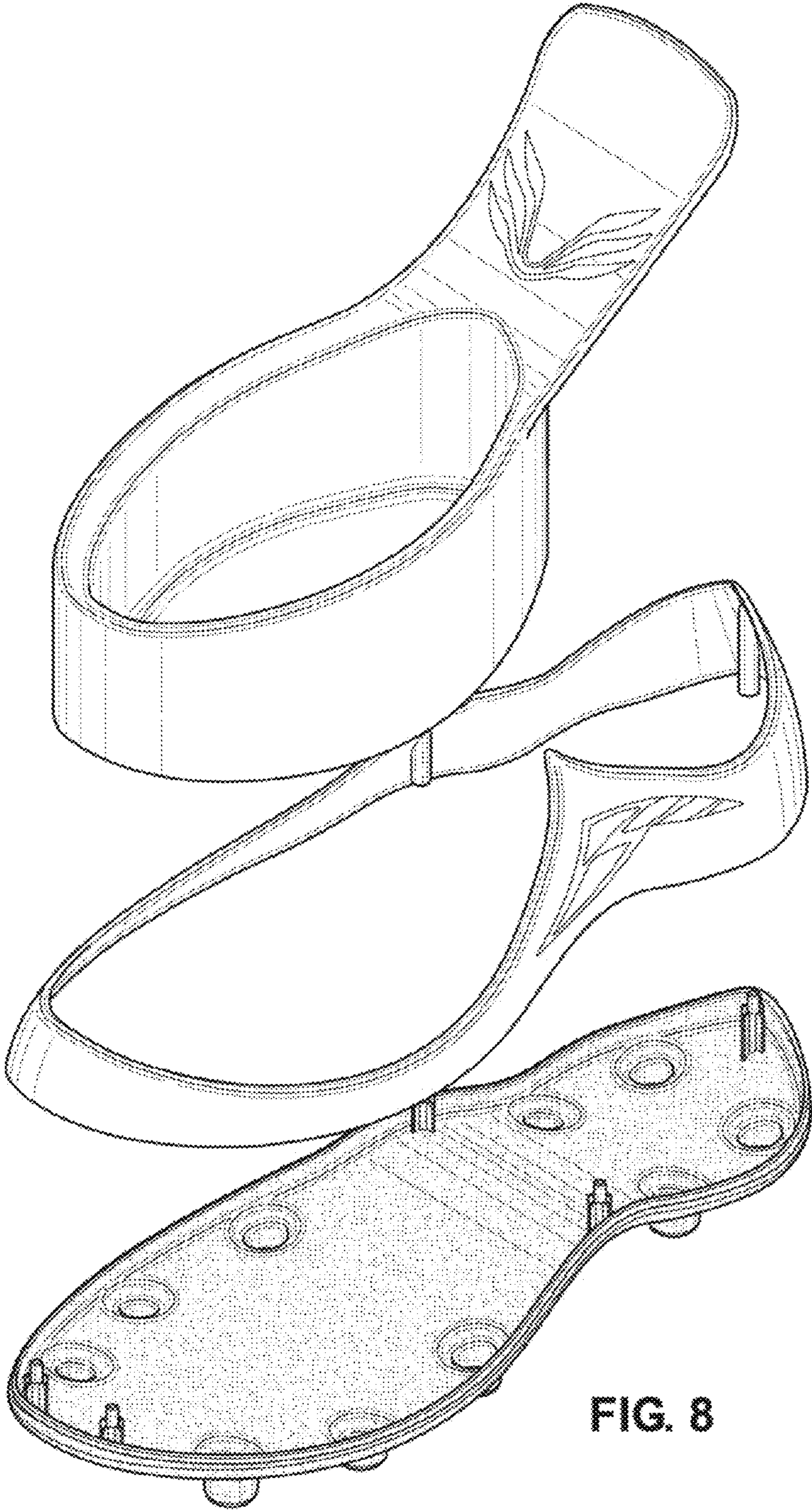


FIG. 8