



US00D762417S

(12) **United States Design Patent**  
**Kemker**

(10) **Patent No.:** **US D762,417 S**

(45) **Date of Patent:** **\*\* Aug. 2, 2016**

(54) **STIRRER**

(71) Applicant: **Vorwerk & Co. Interholding GmbH,**  
Wuppertal (DE)

(72) Inventor: **Uwe Kemker,** Wuppertal (DE)

(73) Assignee: **Vorwerk & Co. Interholding GmbH,**  
Wuppertal (DE)

(\*\*) Term: **14 Years**

(21) Appl. No.: **29/510,103**

(22) Filed: **Nov. 25, 2014**

(30) **Foreign Application Priority Data**

Sep. 3, 2014 (EM) ..... 001420202

(51) **LOC (10) Cl.** ..... **31-00**

(52) **U.S. Cl.**  
USPC ..... **D7/412**

(58) **Field of Classification Search**  
USPC ..... D7/372, 376-386, 412-413, 602, 629,  
D7/665-666, 669, 679, 693-694  
CPC ..... A21C 1/02; A21C 1/04; A23N 1/00;  
A23N 1/02; A47J 43/04; A47J 43/25; A47J  
43/27; A47J 43/042; A47J 43/044; A47J  
43/046; A47J 43/075; A47J 43/0722; A47J  
43/0727; B01F 3/00; B01F 3/0807; B01F  
3/0853; B01F 13/0059; B01F 13/0064;  
B02C 1/08; B02C 2/04; B02C 4/42; B02C  
4/142; B02C 4/143; B02C 4/423; B02C  
13/1835; B28C 5/10; B28C 5/12; B28C 5/14;  
B28C 5/16

See application file for complete search history.

(56) **References Cited**

U.S. PATENT DOCUMENTS

D421,201 S *	2/2000	Crescenzi	.....	D7/412
D421,546 S *	3/2000	Ekstrom	.....	D7/412
D623,890 S *	9/2010	Metaxatos	.....	D7/376
D647,365 S *	10/2011	Audette	.....	D7/376
D668,115 S *	10/2012	Potter	.....	D7/376

(Continued)

OTHER PUBLICATIONS

Specification, Claim and Drawings of U.S. Appl. No. 29/512,475,  
filed Dec. 2, 2014.

*Primary Examiner* — Ricky Pham

(74) *Attorney, Agent, or Firm* — Collard & Roe, P.C.

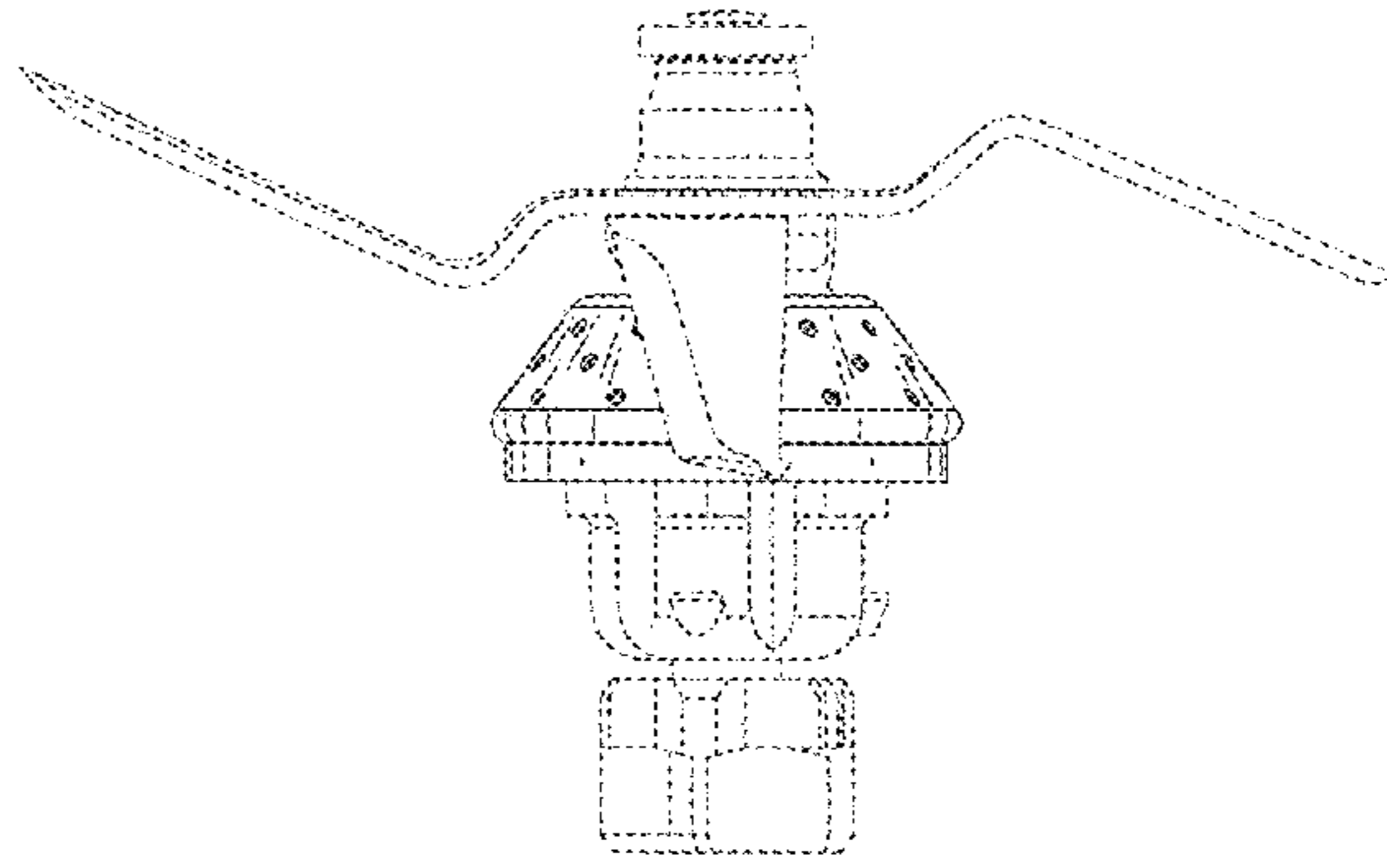
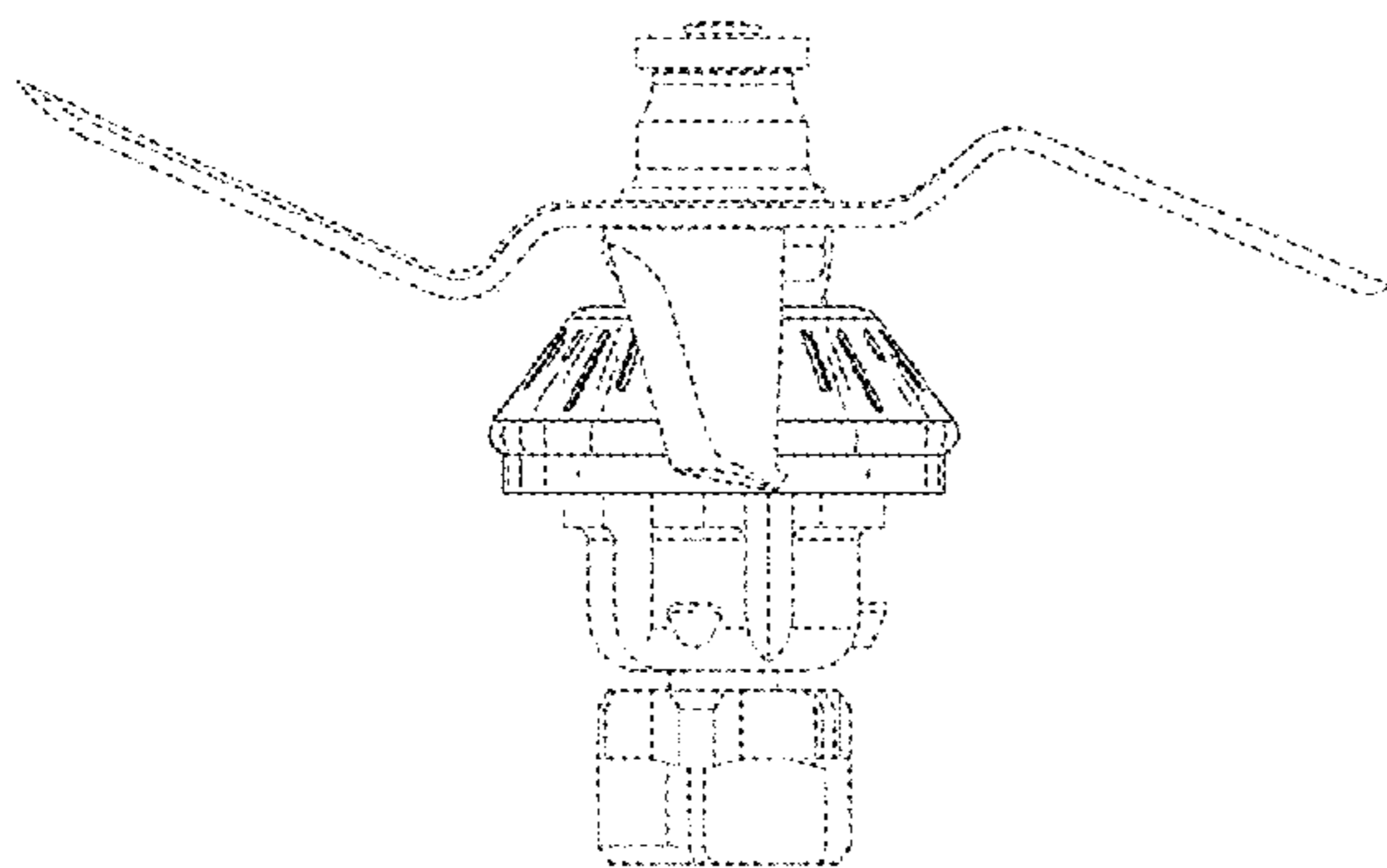
(57) **CLAIM**

The ornamental design for a stirrer, as shown and described.

**DESCRIPTION**

FIG. 1 is a front view of a stirrer, showing my new design  
FIG. 2 is a side view thereof;  
FIG. 3 is a rear view thereof;  
FIG. 4 is another side view thereof, opposite the side view of  
FIG. 3;  
FIG. 5 is top view thereof;  
FIG. 6 is a bottom view thereof;  
FIG. 7 is a bottom and side perspective view thereof;  
FIG. 7a is an enlarged detail of circle VIIa of FIG. 7;  
FIG. 8 is a front view of another alternate embodiment of a  
stirrer, showing my new design;  
FIG. 9 is a side view thereof;  
FIG. 10 is a rear view thereof;  
FIG. 11 is another side view thereof, opposite the side view of  
FIG. 9;  
FIG. 12 is top view thereof;  
FIG. 13 is a bottom view thereof;  
FIG. 14 is a bottom and side perspective view thereof; and,  
FIG. 14a is an enlarged detail of circle XIVa of FIG. 14.  
The features shown in broken lines show environmental  
structure only and form no part of the claimed design.

**1 Claim, 8 Drawing Sheets**



(56)

**References Cited**

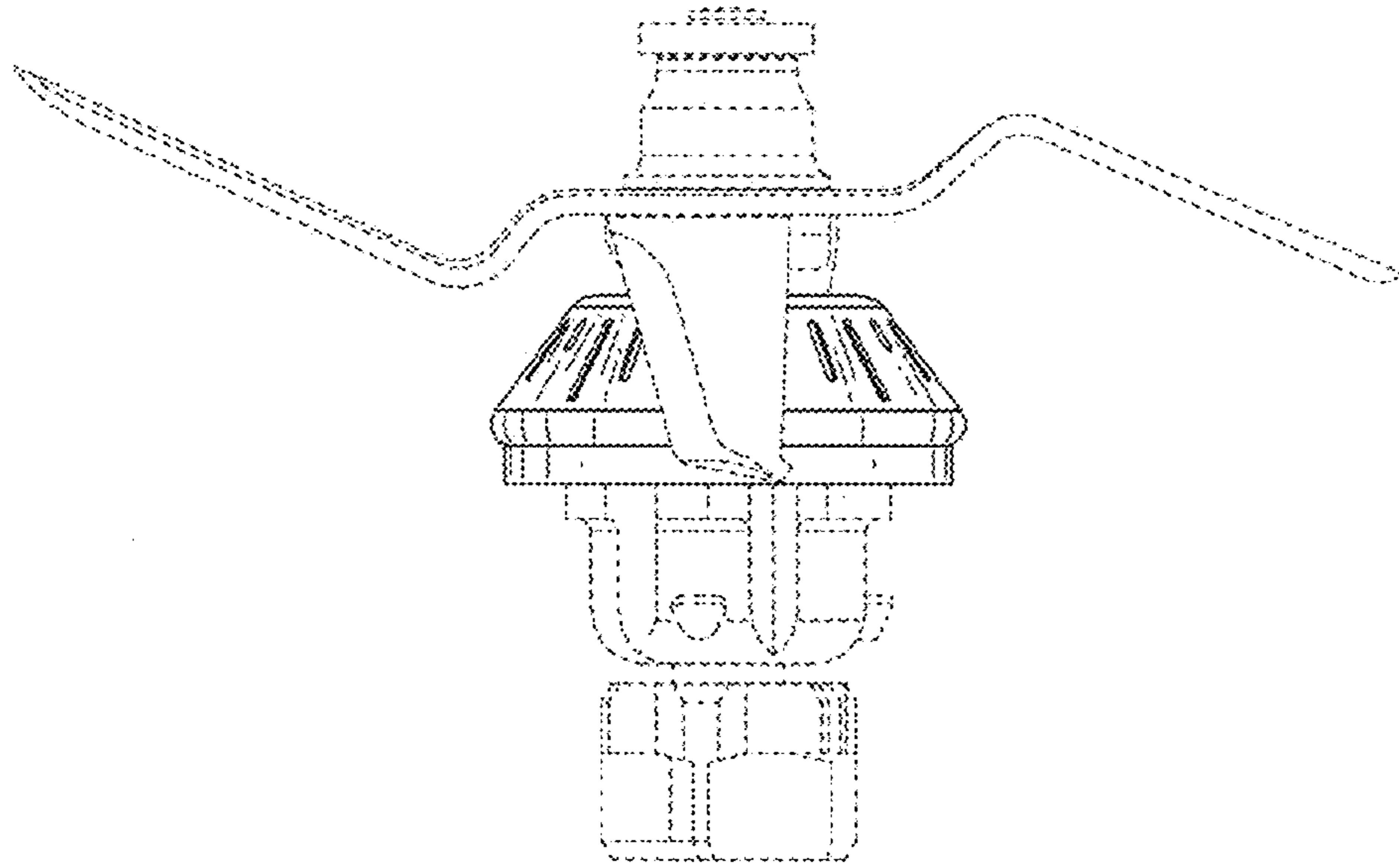
U.S. PATENT DOCUMENTS

D684,817 S \* 6/2013 Leavitt ..... D7/412  
D700,013 S \* 2/2014 Chu ..... D7/376  
8,721,164 B2 \* 5/2014 Audette ..... A47J 43/0722  
366/205

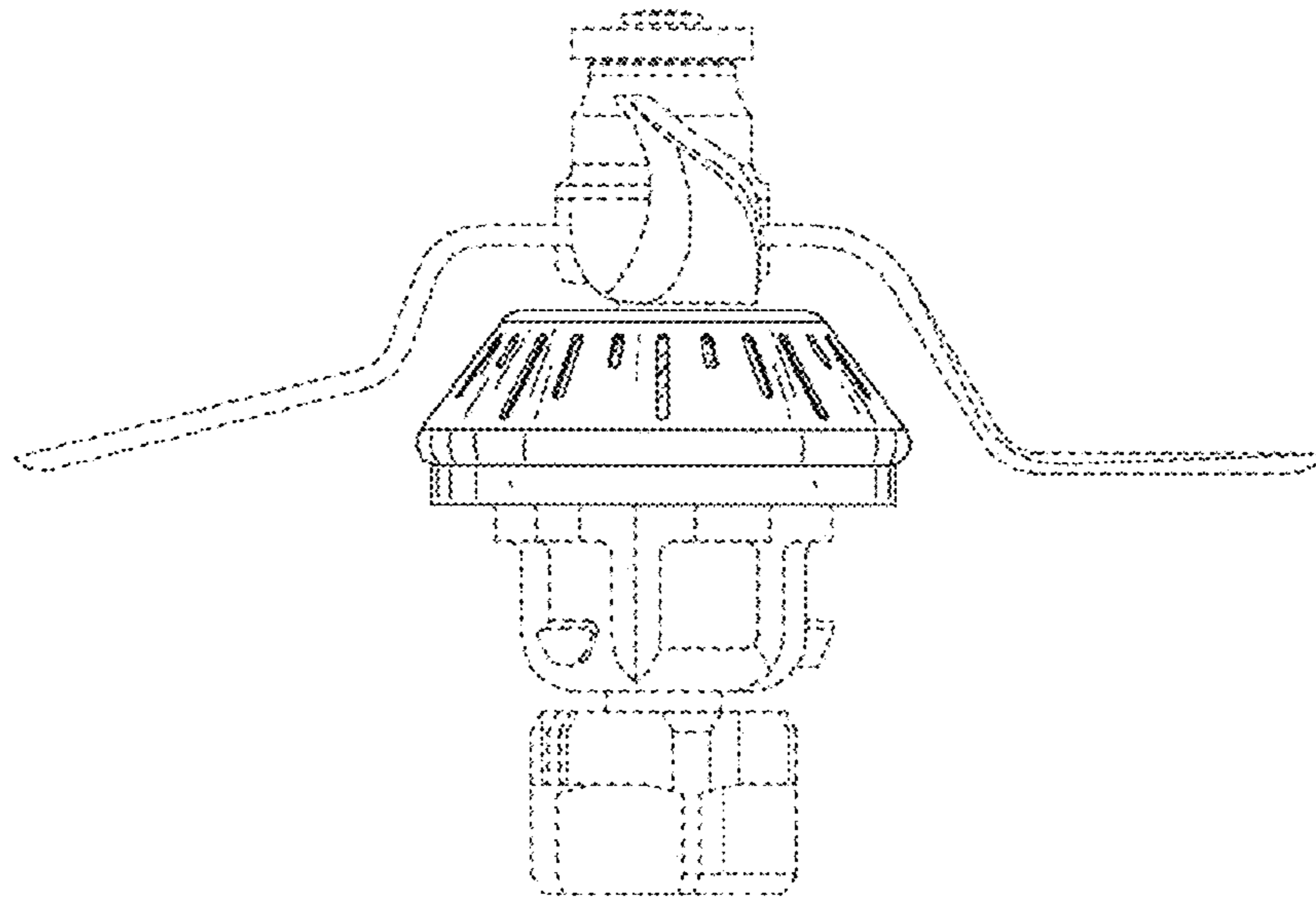
D708,902 S \* 7/2014 Audette ..... D7/376  
D709,324 S \* 7/2014 Guo ..... D7/376  
D709,325 S \* 7/2014 Guo ..... D7/376  
D729,573 S \* 5/2015 Moon ..... D7/376  
2008/0198691 A1 \* 8/2008 Behar ..... A47J 43/0722  
366/205

\* cited by examiner

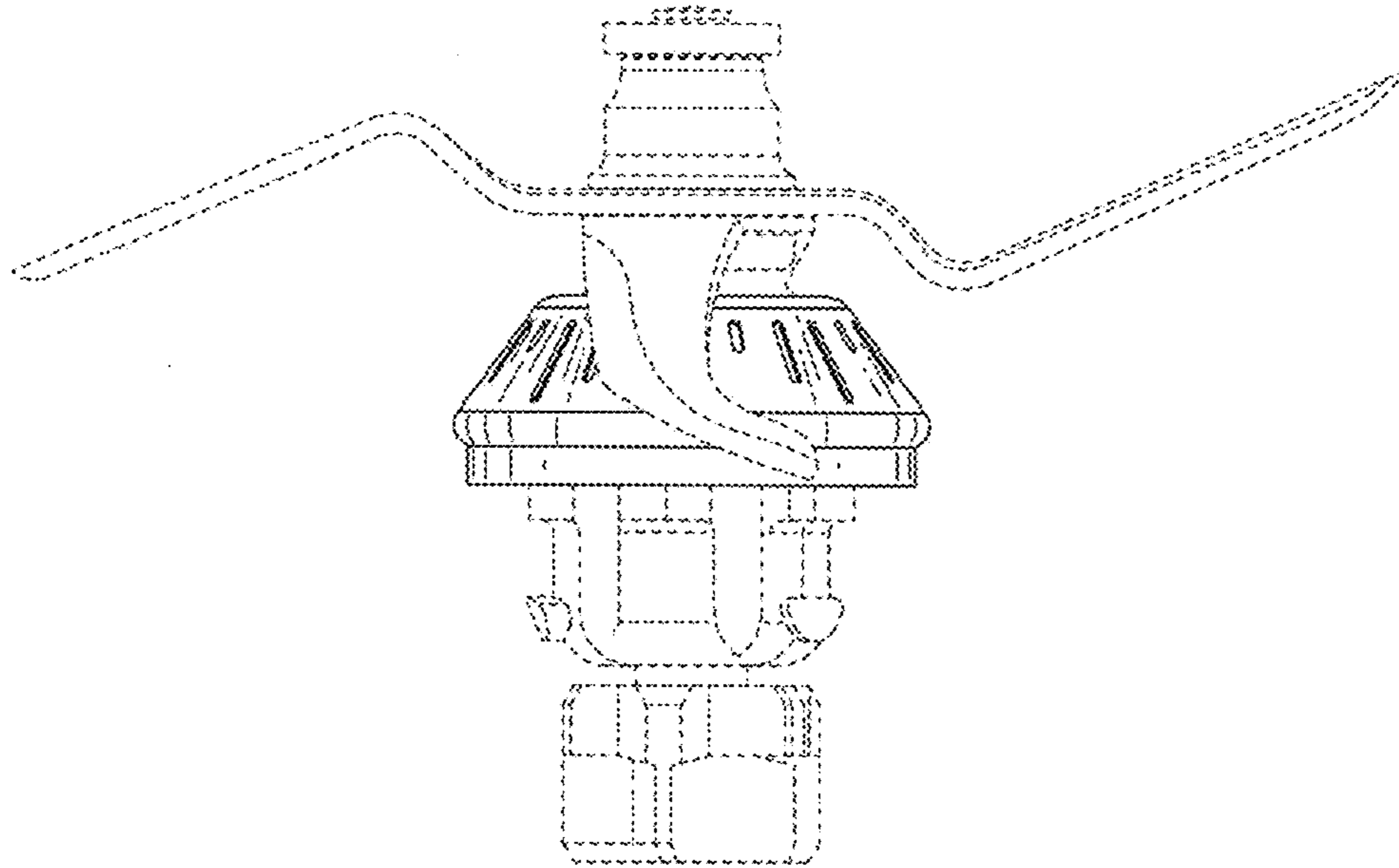
***Fig. 1***



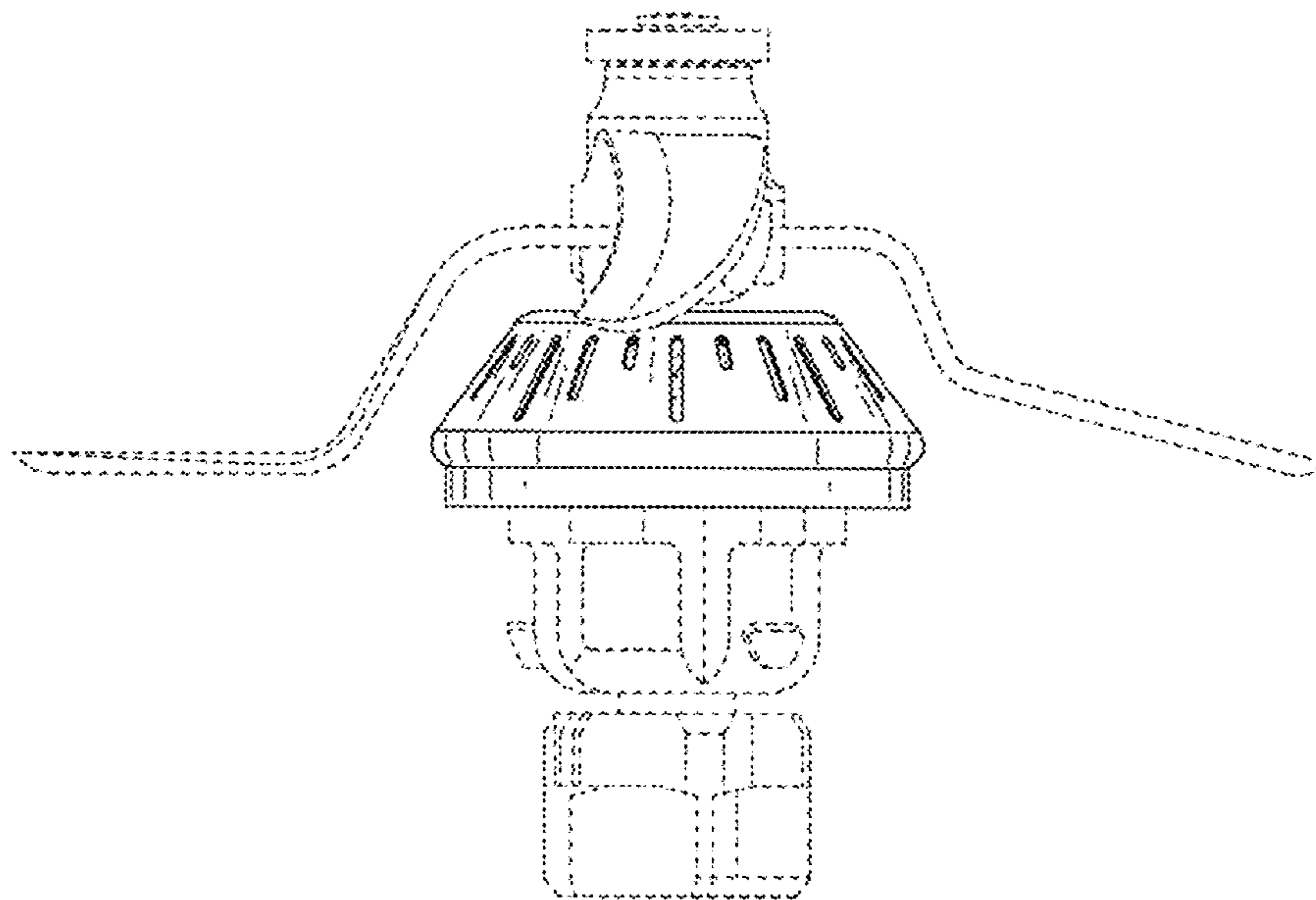
***Fig. 2***



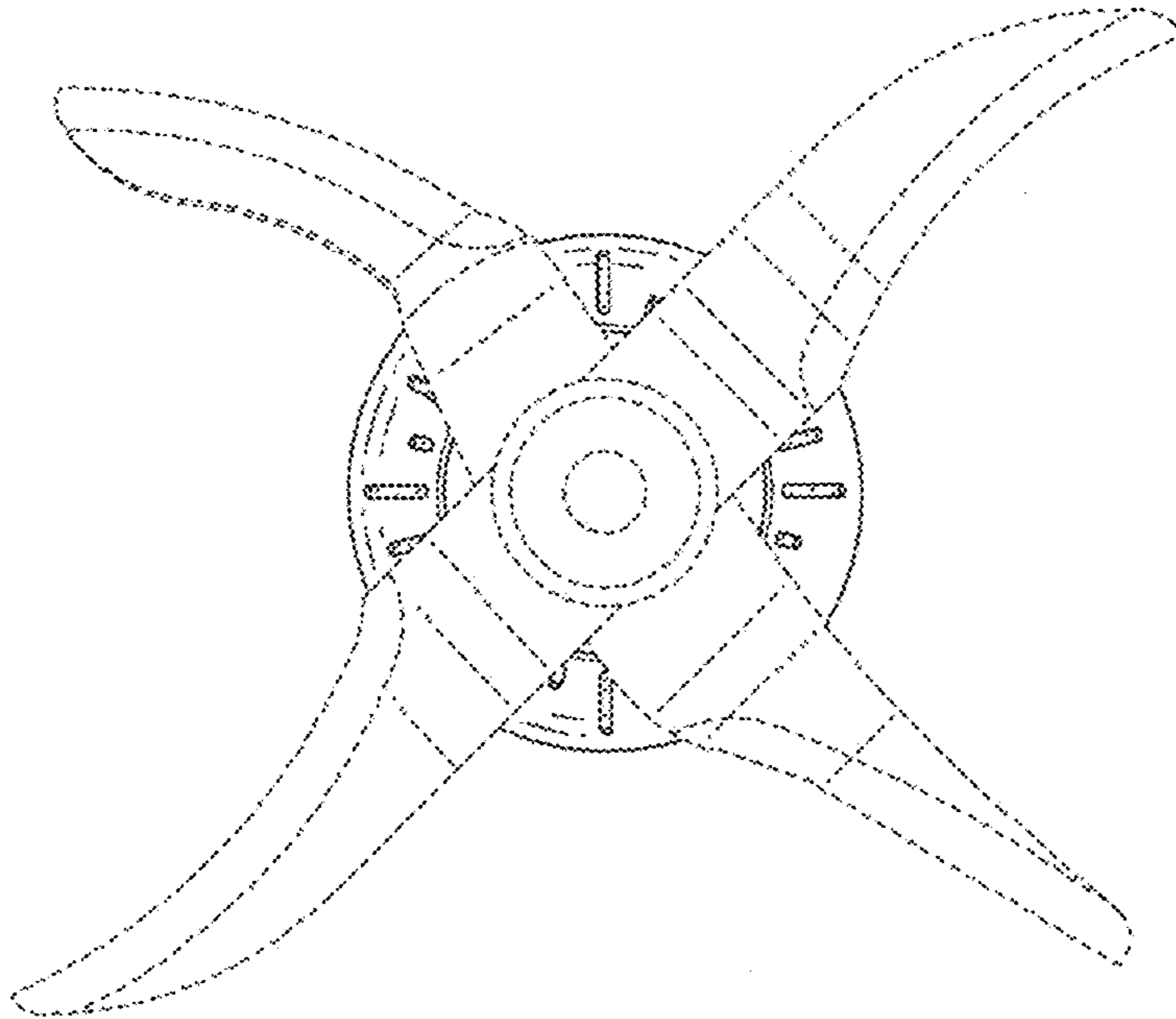
***Fig. 3***



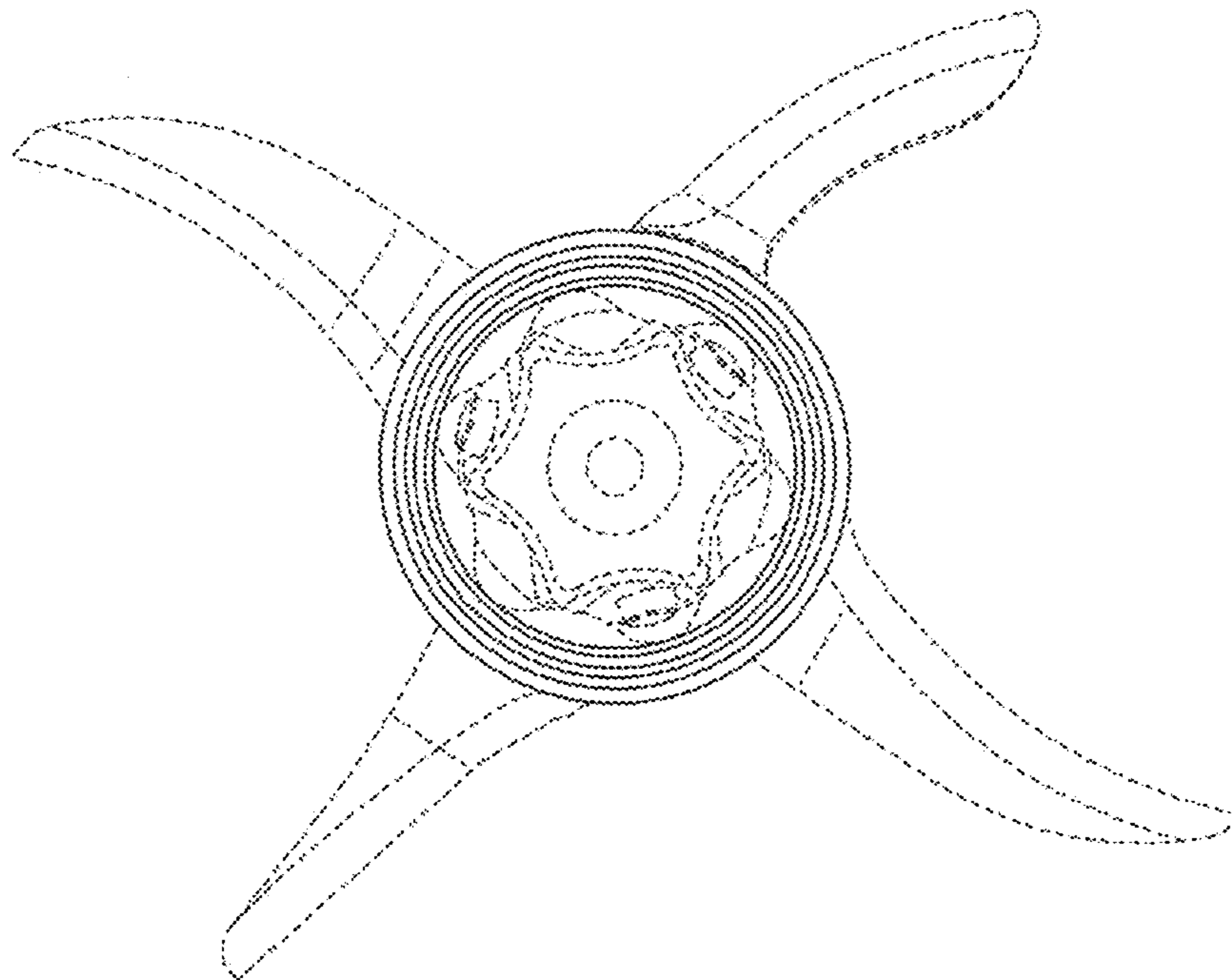
***Fig. 4***



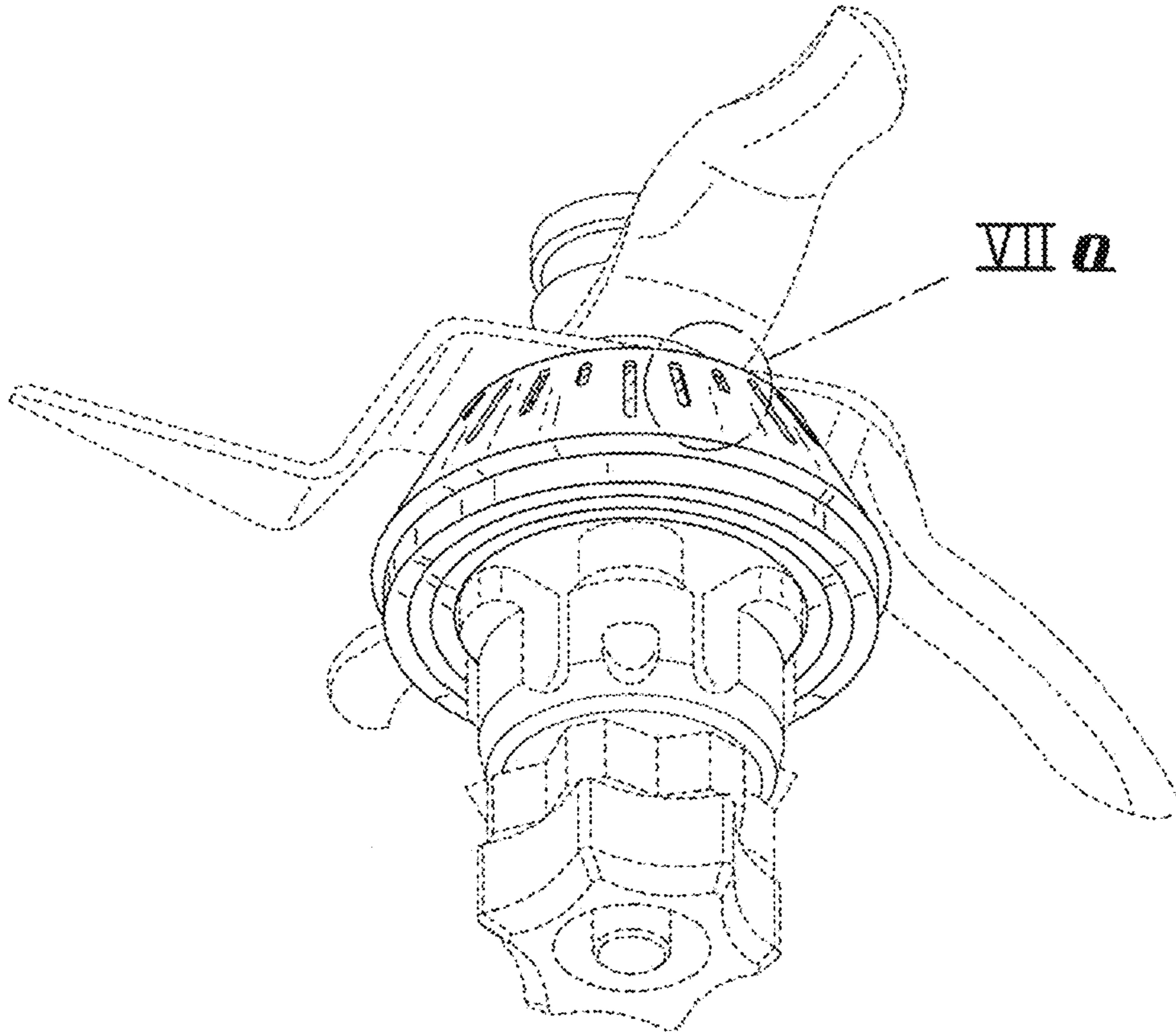
***Fig. 5***



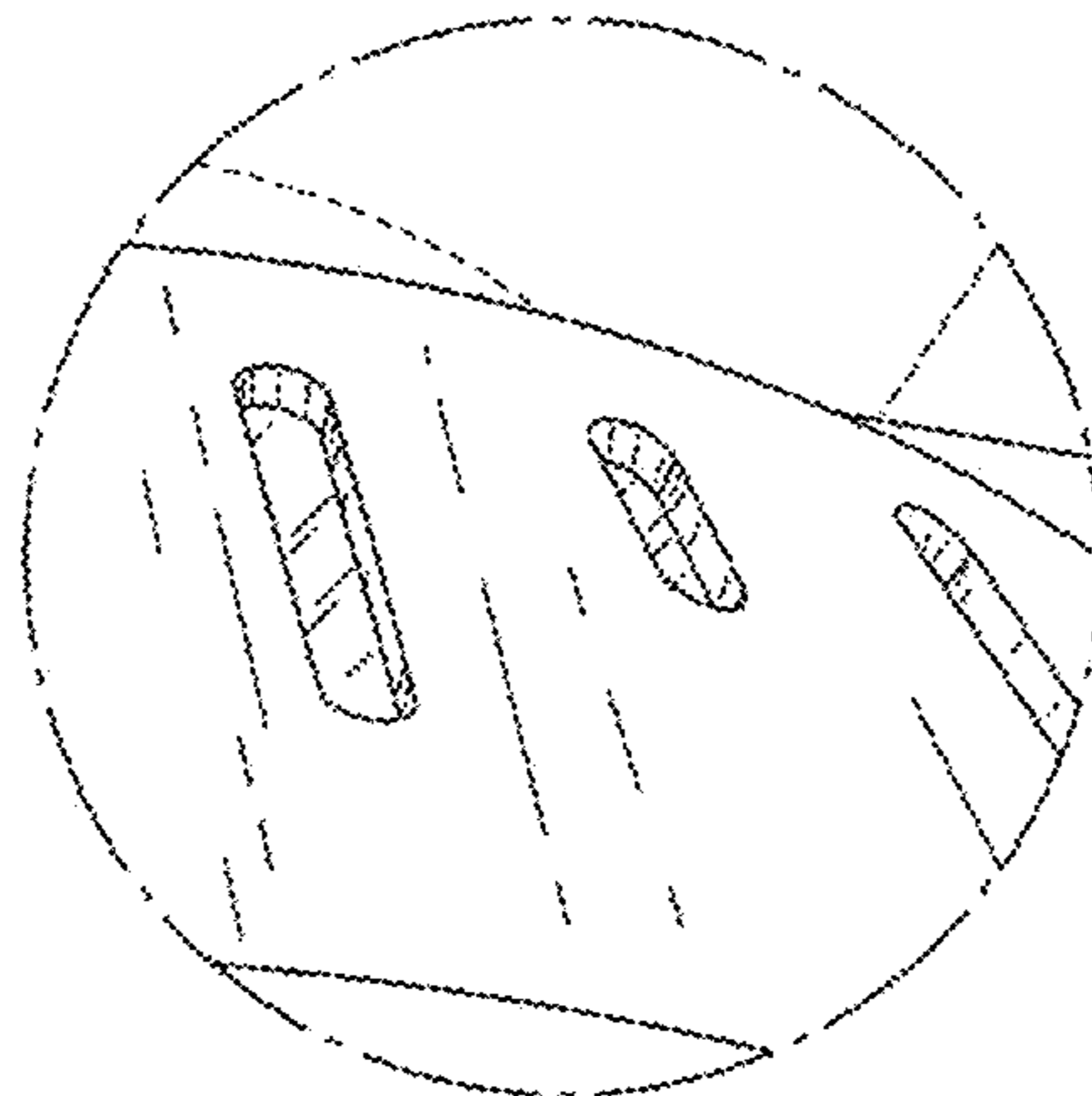
***Fig. 6***



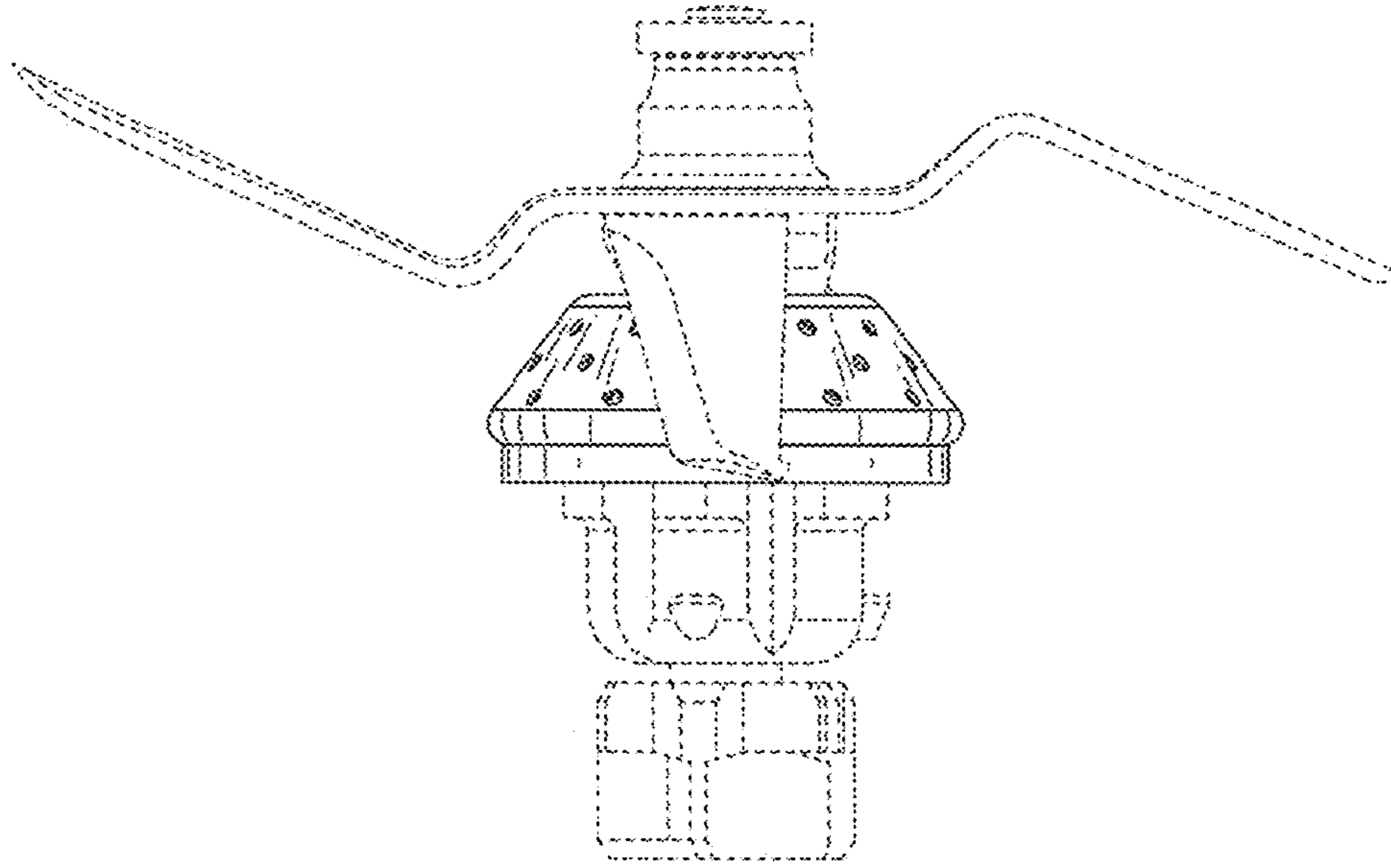
***Fig. 7***



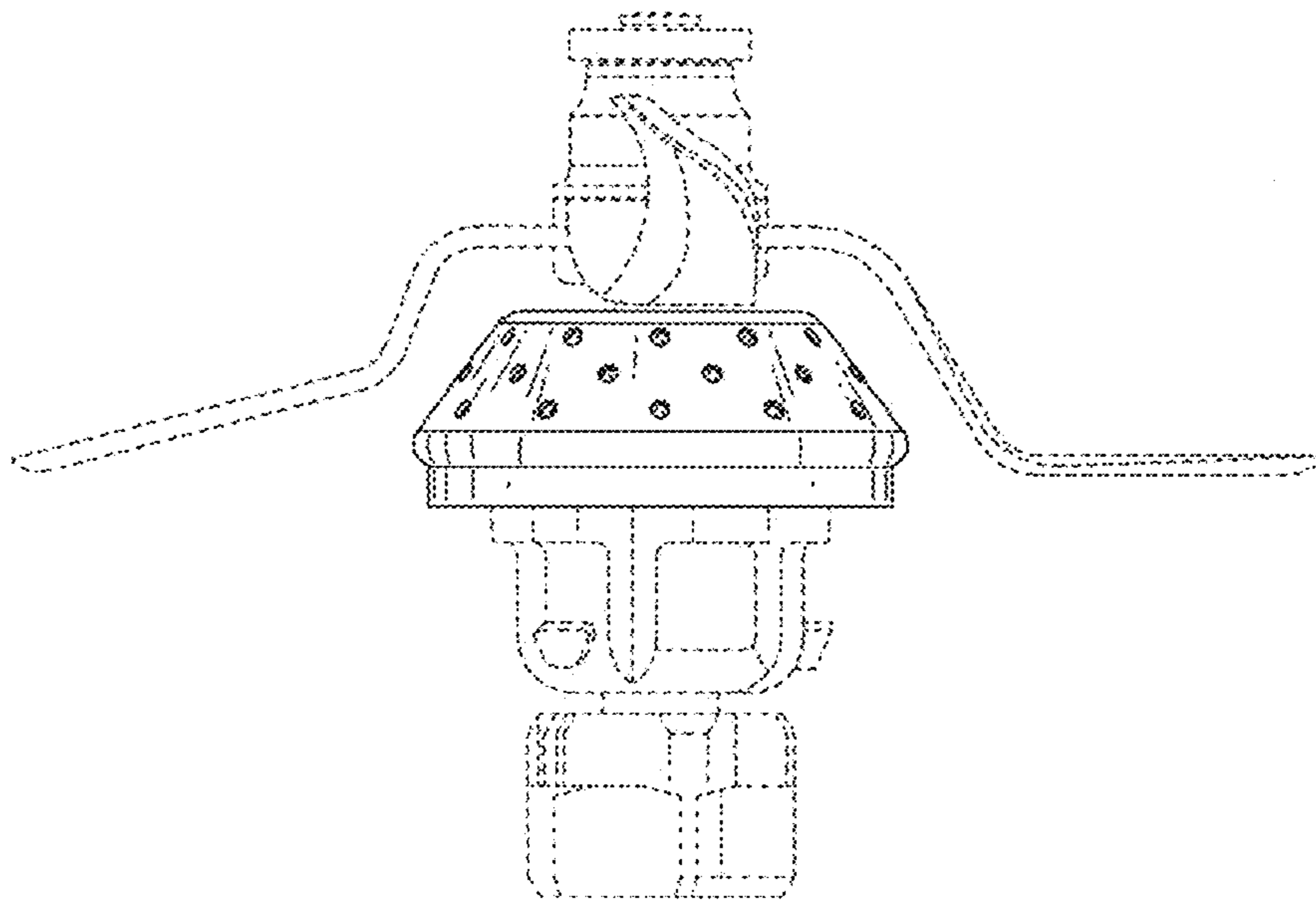
***Fig. 7a***



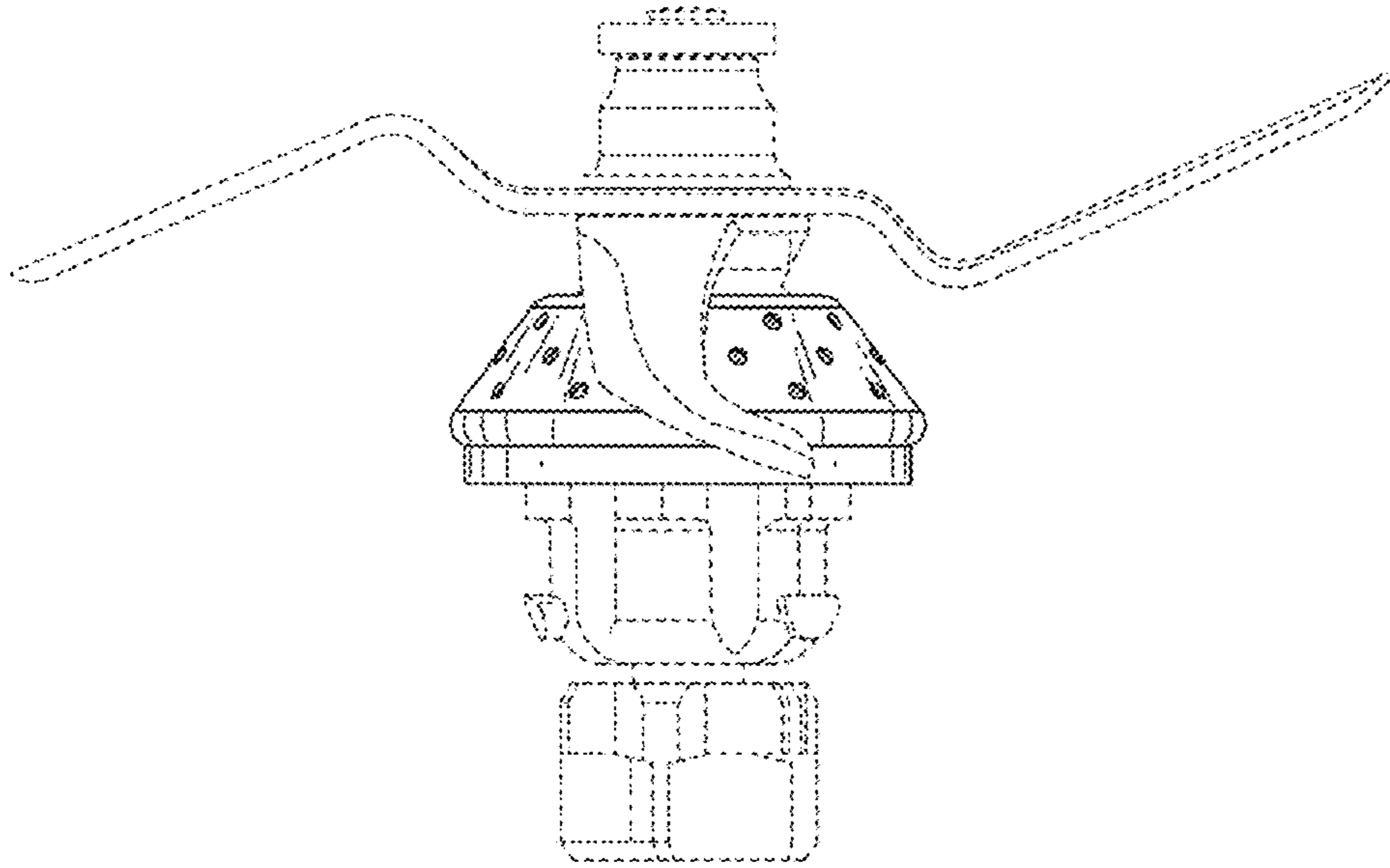
***Fig. 8***



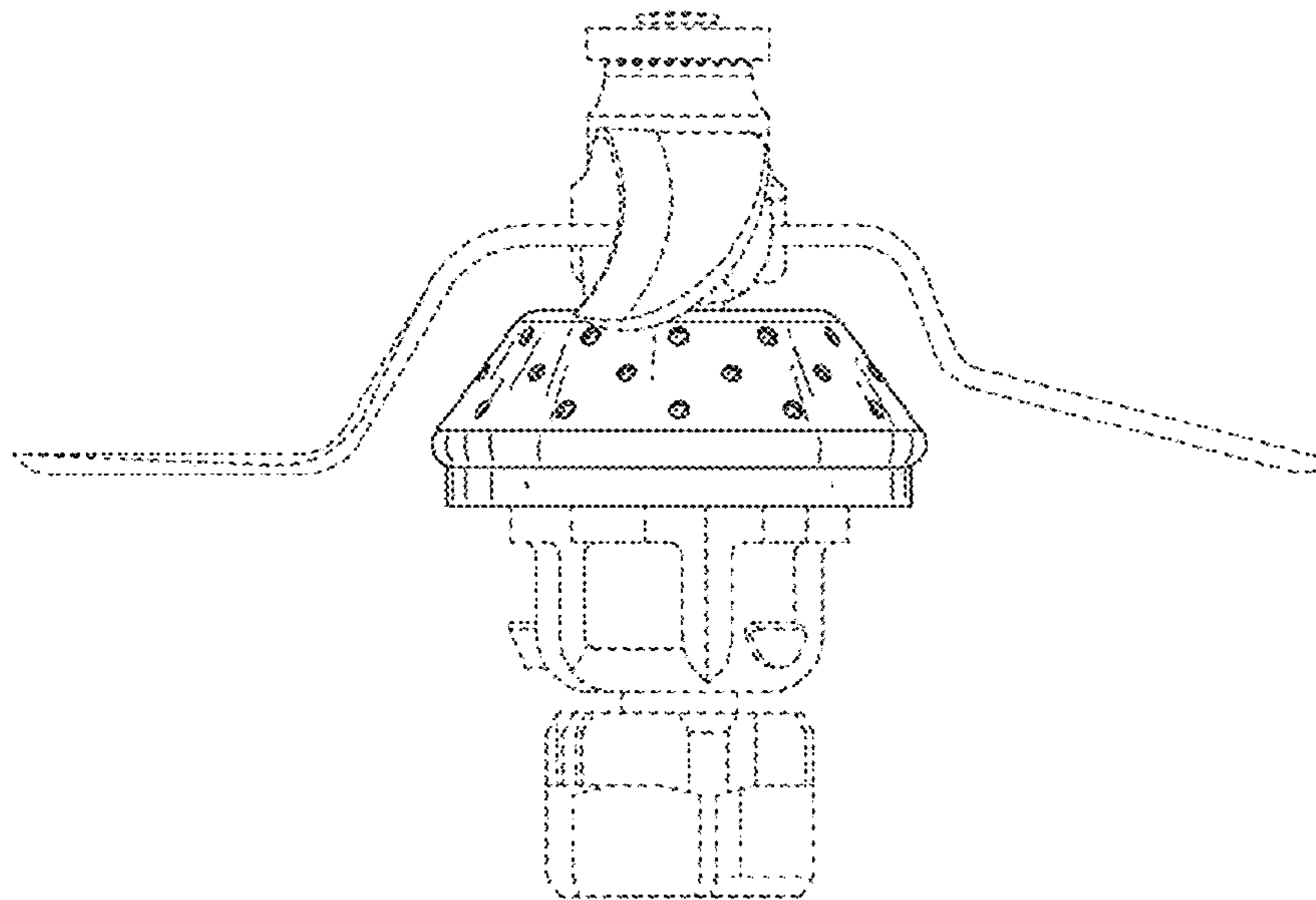
***Fig. 9***



***Fig. 10***

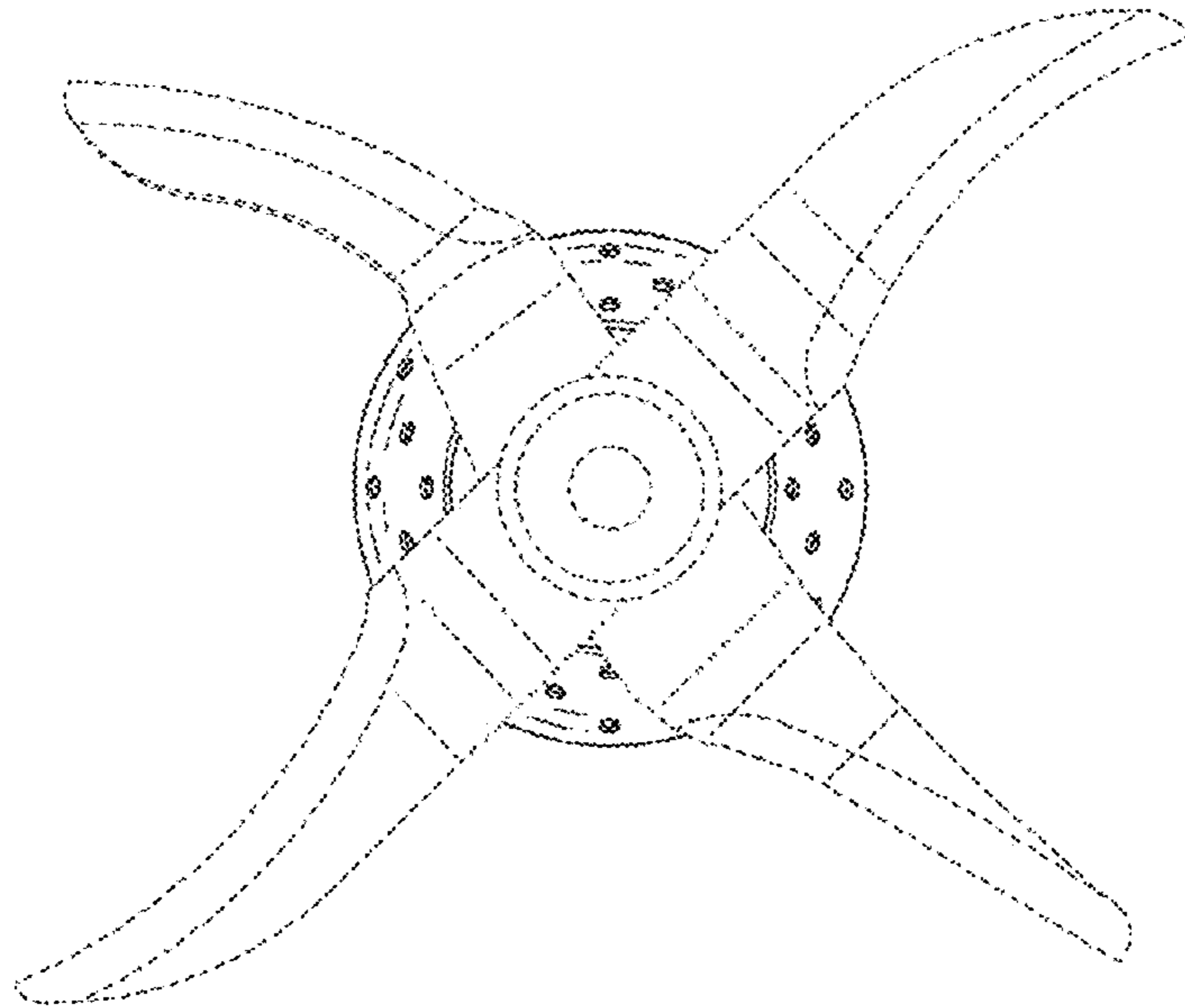


***Fig. 11***

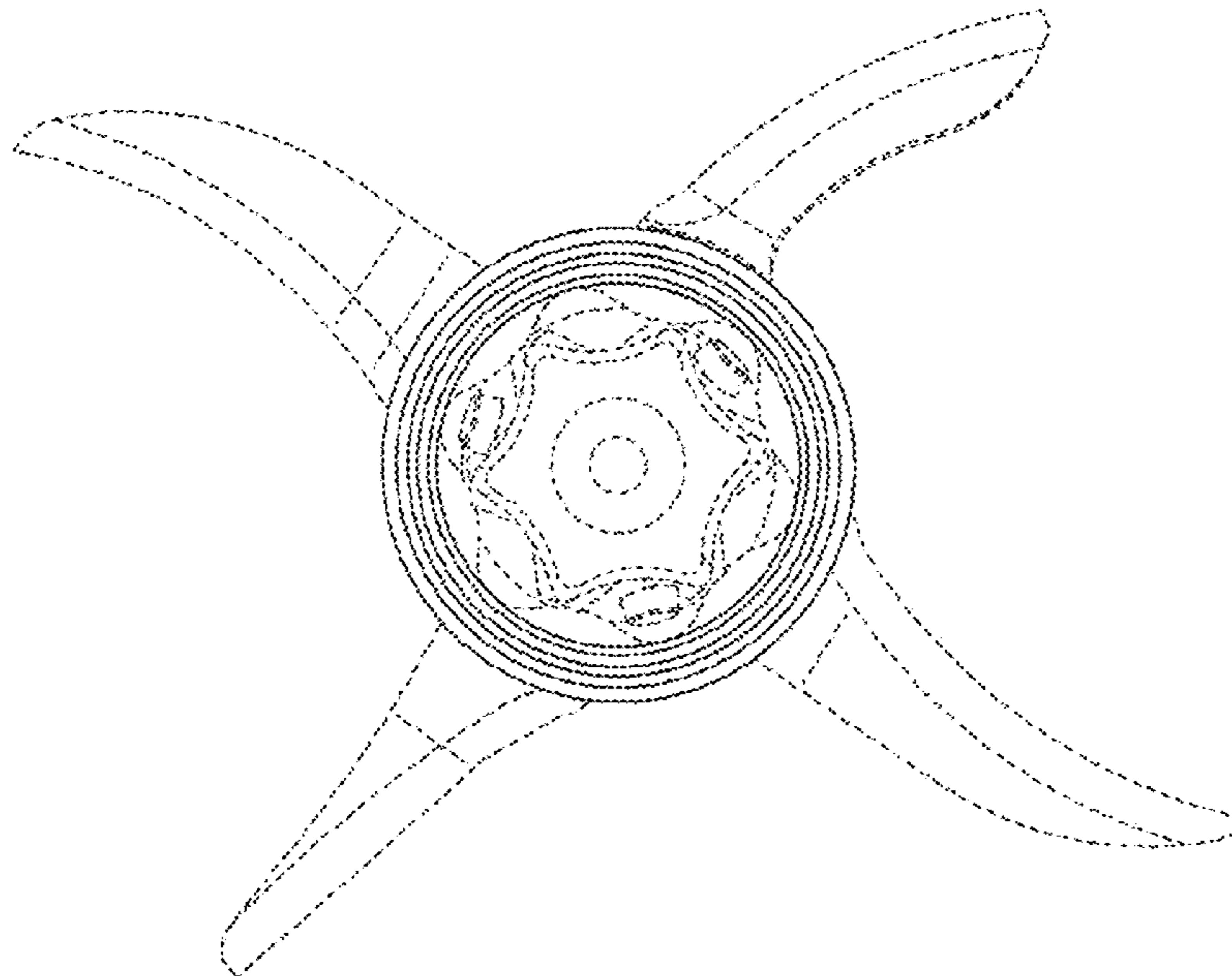




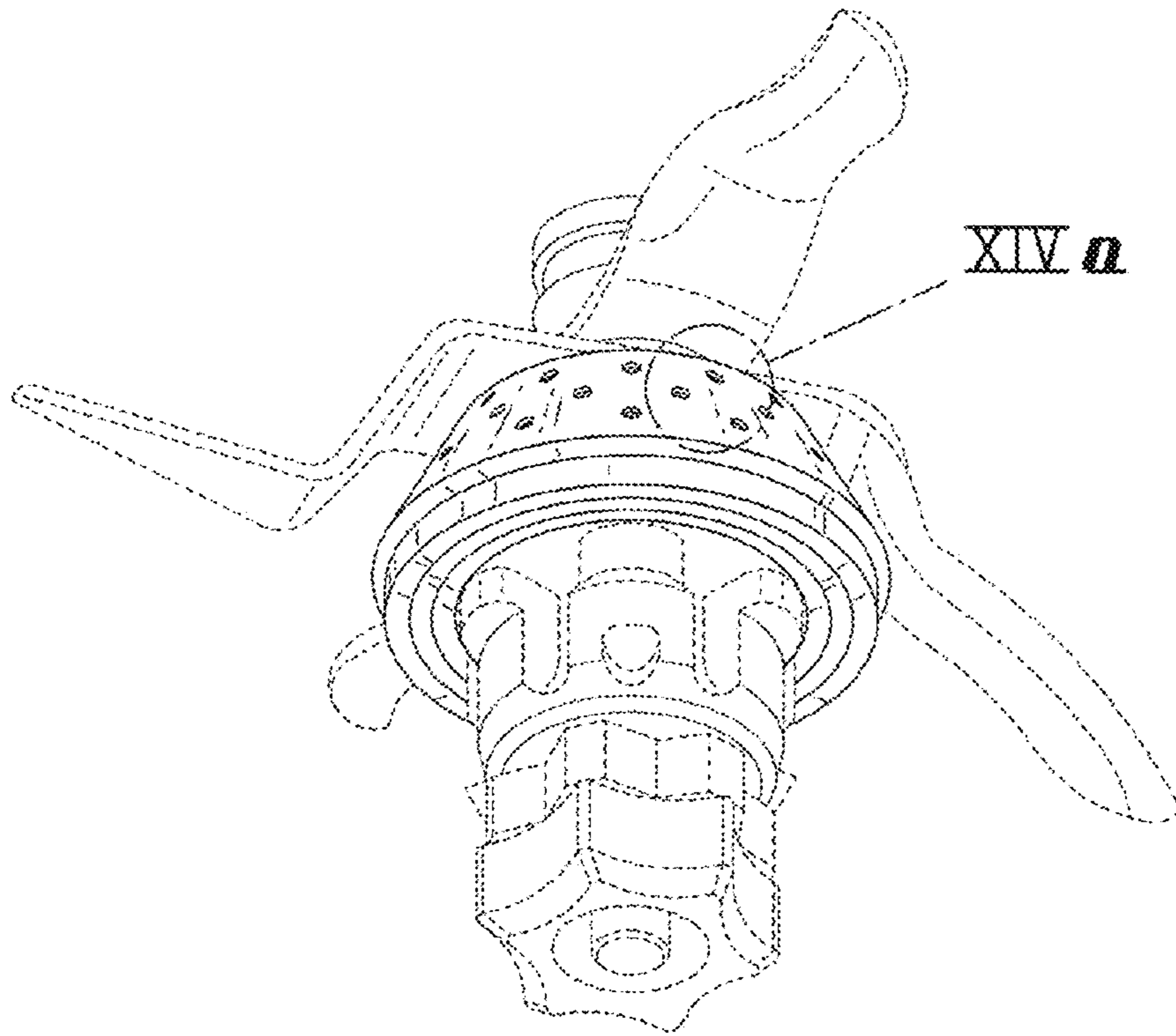
***Fig. 12***



***Fig. 13***



***Fig. 14***



***Fig. 14 a***

