



US00D762416S

(12) **United States Design Patent**
Kim et al.

(10) **Patent No.:** **US D762,416 S**
(45) **Date of Patent:** **** Aug. 2, 2016**

- (54) **MICROWAVE OVEN**
- (71) Applicant: **LG ELECTRONICS INC.**, Seoul (KR)
- (72) Inventors: **Soo Yeon Kim**, Seoul (KR); **Han Jin Jung**, Seoul (KR); **Song Yi Han**, Seoul (KR); **In Hwan Ryu**, Seoul (KR)
- (73) Assignee: **LG ELECTRONICS INC.**, Seoul (KR)
- (**) Term: **14 Years**
- (21) Appl. No.: **29/525,206**
- (22) Filed: **Apr. 28, 2015**

- (30) **Foreign Application Priority Data**
Nov. 13, 2014 (KR) 30-2014-0054711
- (51) **LOC (10) Cl.** **07-02**
- (52) **U.S. Cl.**
USPC **D7/405**
- (58) **Field of Classification Search**
USPC D7/402, 403-408, 351, 350.4,
D7/350.1-350.3, 323, 339-340, 346-349
CPC H05B 6/763; H05B 6/6414; H05B 6/6408;
Y02B 40/14; Y02B 40/143; Y02B 40/146;
F24C 15/02; F24C 1/00; F24C 14/00; F24C
3/00; F24C 5/00; F24C 7/00
See application file for complete search history.

- (56) **References Cited**
U.S. PATENT DOCUMENTS
4,319,110 A * 3/1982 Tanabe G01N 33/0063
219/707
4,339,646 A * 7/1982 Doi G05B 19/102
200/46

- D294,215 S * 2/1988 Kawaishi D7/351
- 6,433,323 B2 * 8/2002 Kim 126/21 A
- D540,105 S * 4/2007 Lee D7/351
- D633,328 S * 3/2011 Shin D7/351
- D675,475 S * 2/2013 Yoon D7/351
- D705,008 S * 5/2014 Shin D7/405
- D712,694 S * 9/2014 Kim D7/351
- D741,639 S * 10/2015 Kim D7/351

* cited by examiner

Primary Examiner — Sheryl Lane
Assistant Examiner — Nicole Shiflet

(74) *Attorney, Agent, or Firm* — Birch, Stewart, Kolasch & Birch, LLP

(57) **CLAIM**
We claim the ornamental design for a microwave oven, as shown and described.

DESCRIPTION

FIG. 1 is a perspective view of a microwave oven showing our new design;
FIG. 2 is a front elevation view thereof;
FIG. 3 is a rear elevation view thereof;
FIG. 4 is a left-side elevation view thereof;
FIG. 5 is a right-side elevation view thereof;
FIG. 6 is a top plan view thereof;
FIG. 7 is a bottom plan view thereof; and,
FIG. 8 is a perspective view of a microwave oven, showing a second embodiment of our new design.
The broken lines in the drawing figures are included for the purpose of illustrating environment and form no part of the claimed design. Anything not shown in FIG. 8, the view showing the second embodiment, forms no part of the claimed design.

1 Claim, 5 Drawing Sheets

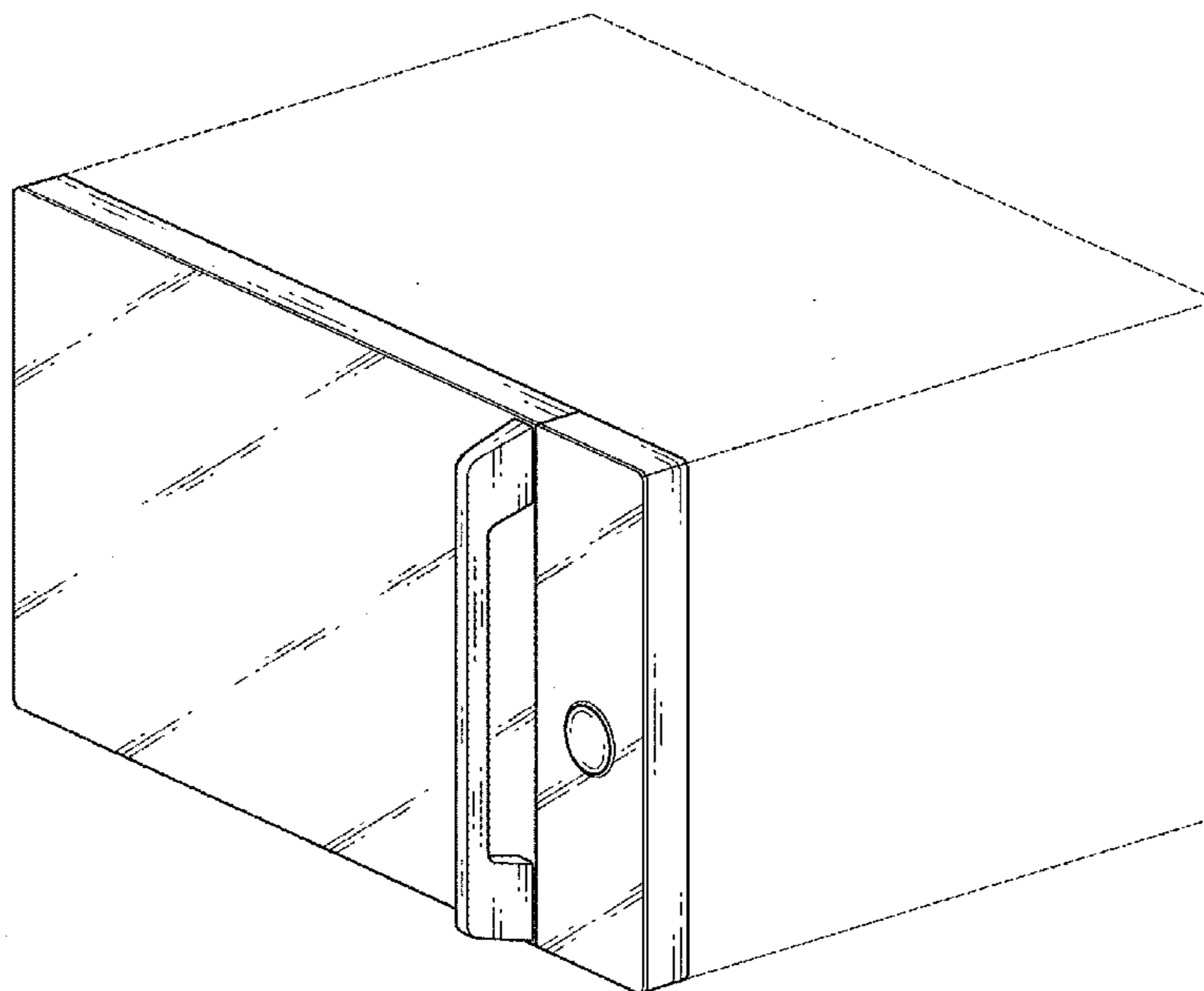


FIG. 1

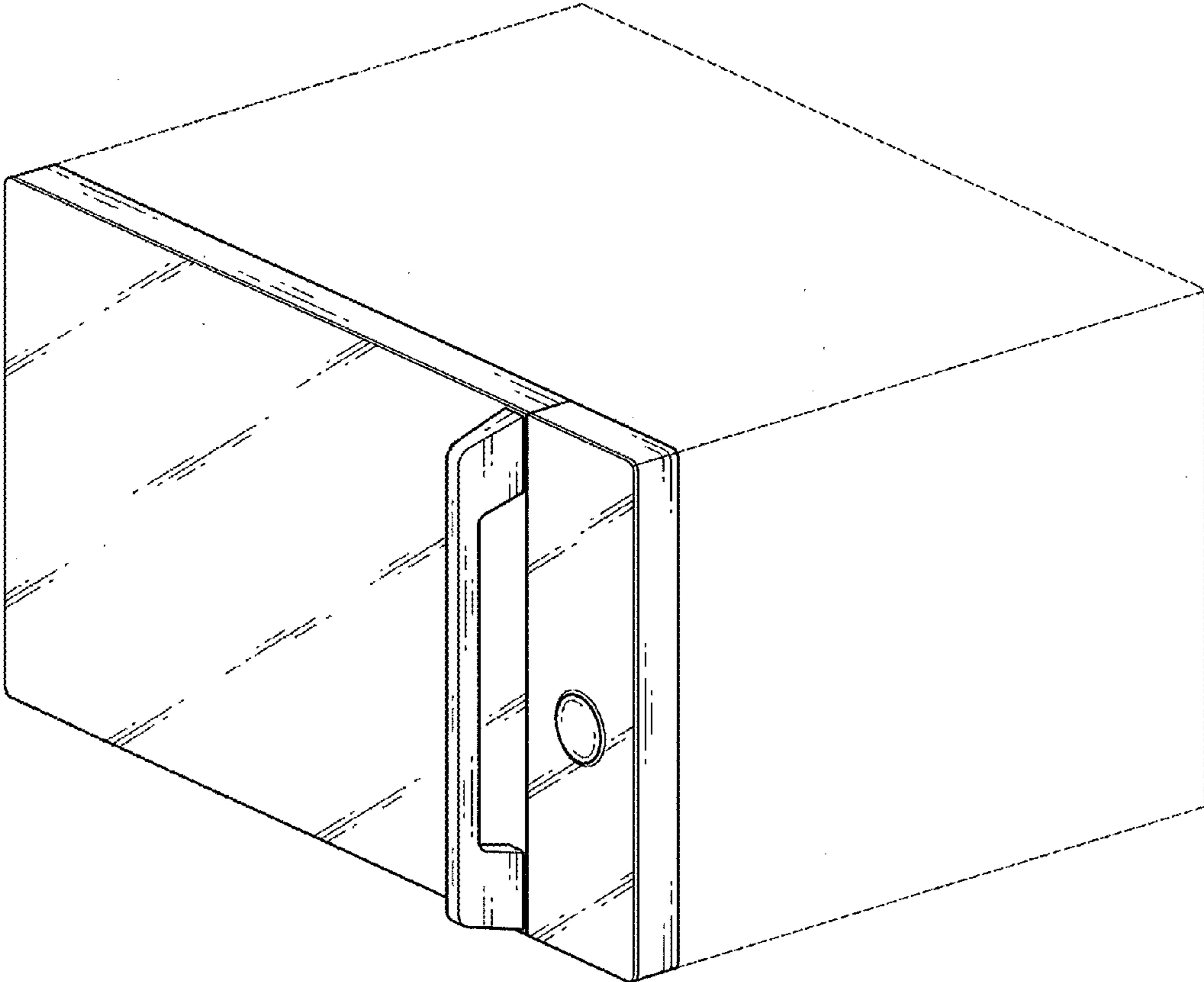


FIG. 2

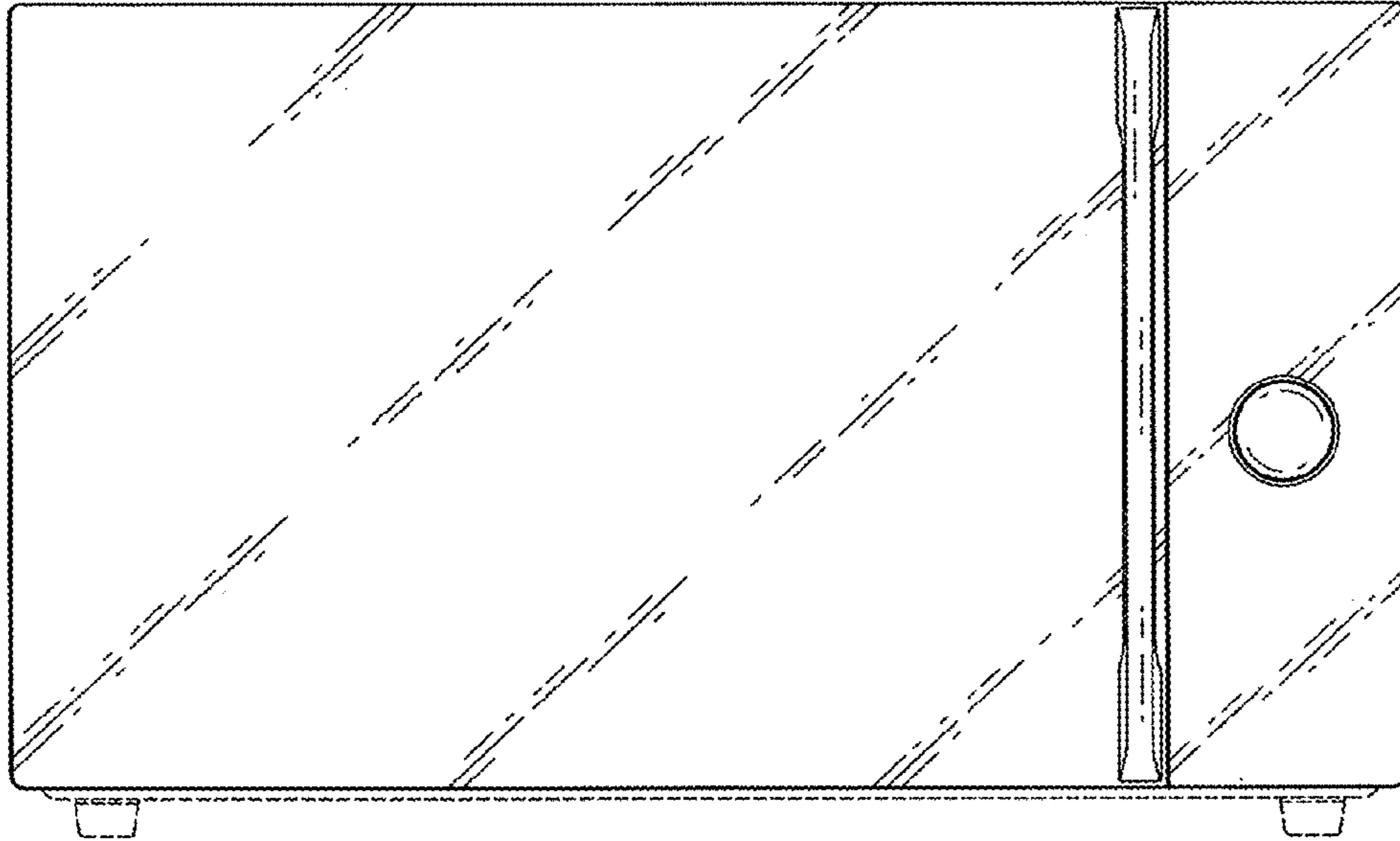


FIG. 3

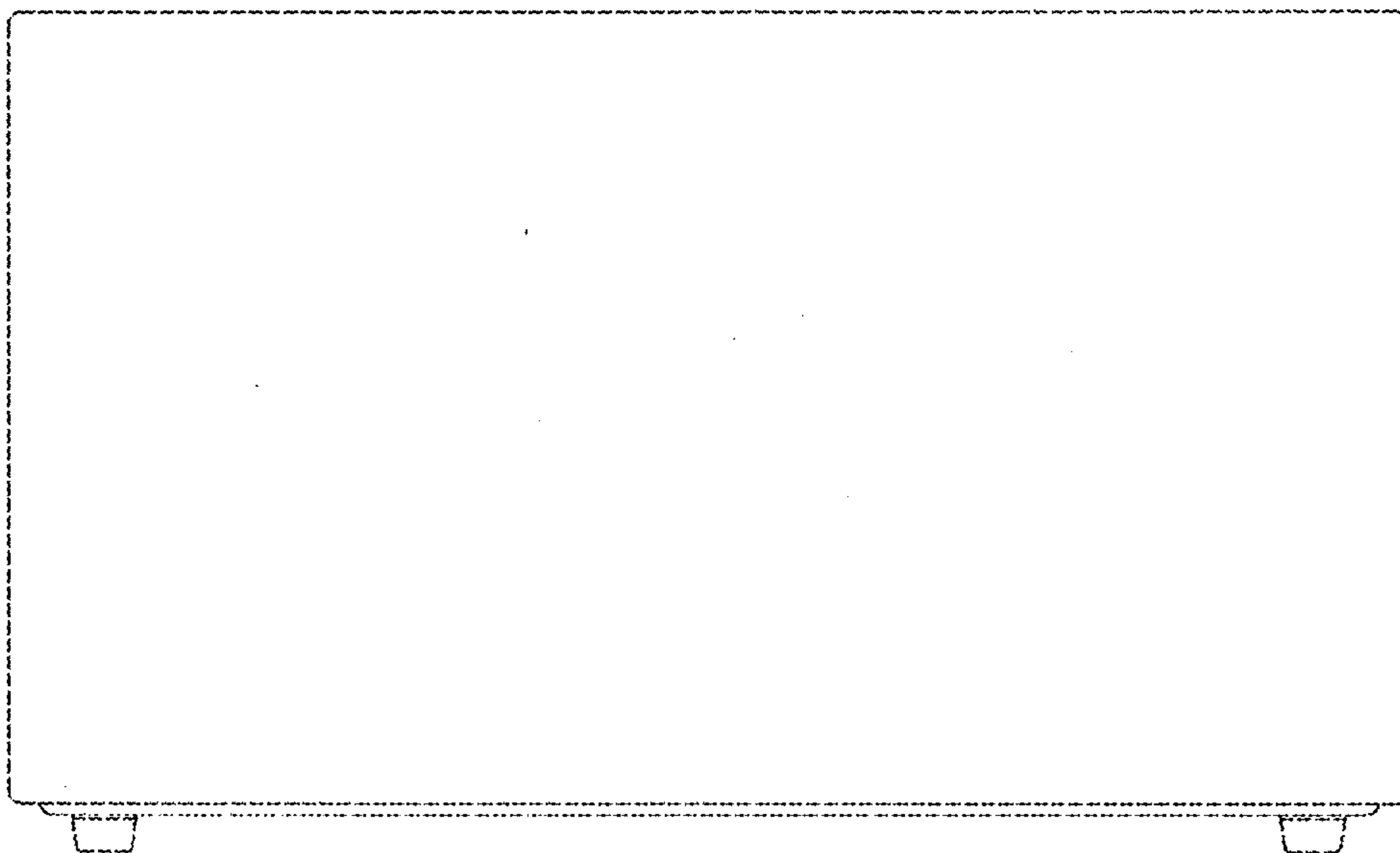


FIG. 4

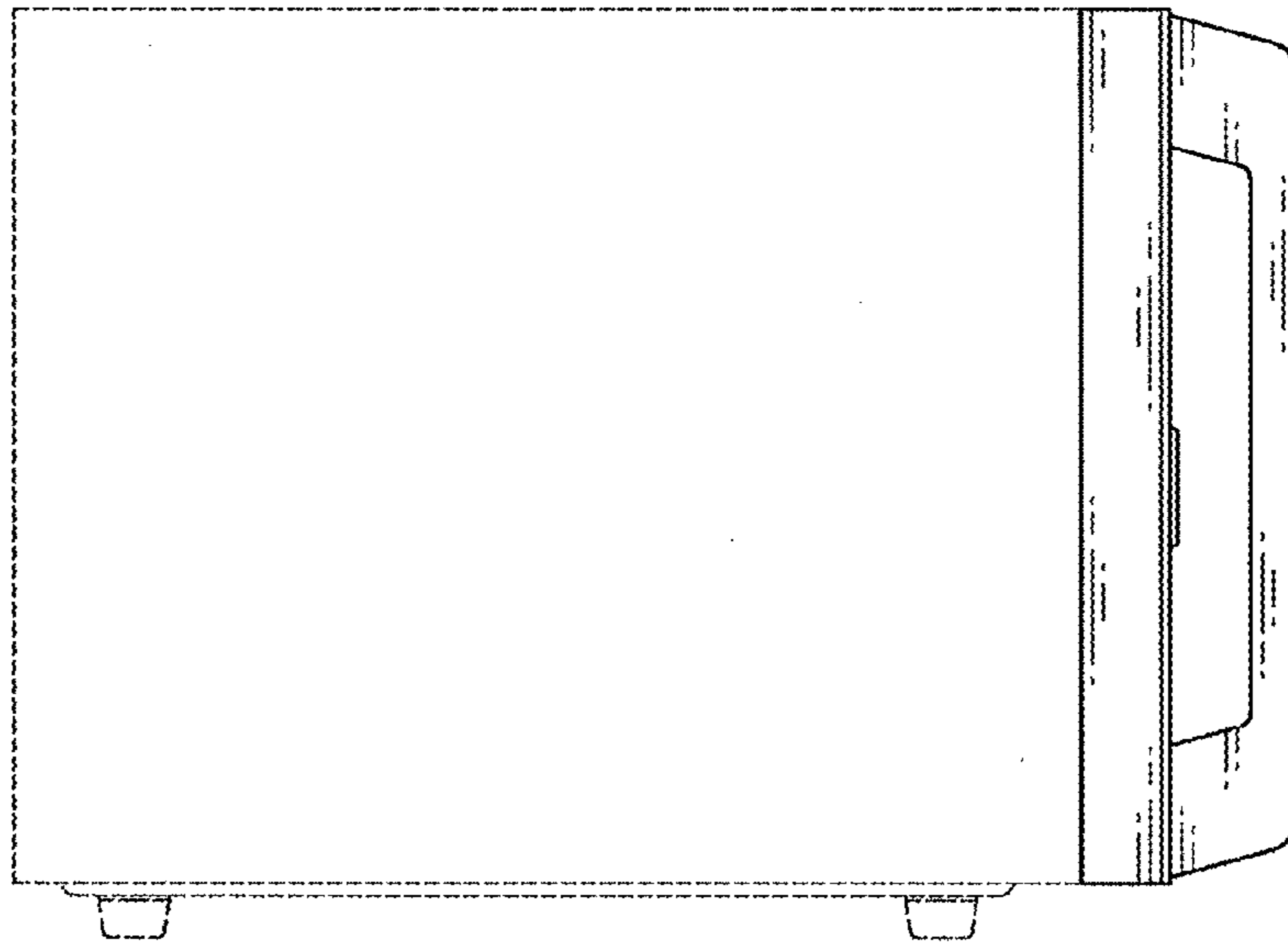


FIG. 5

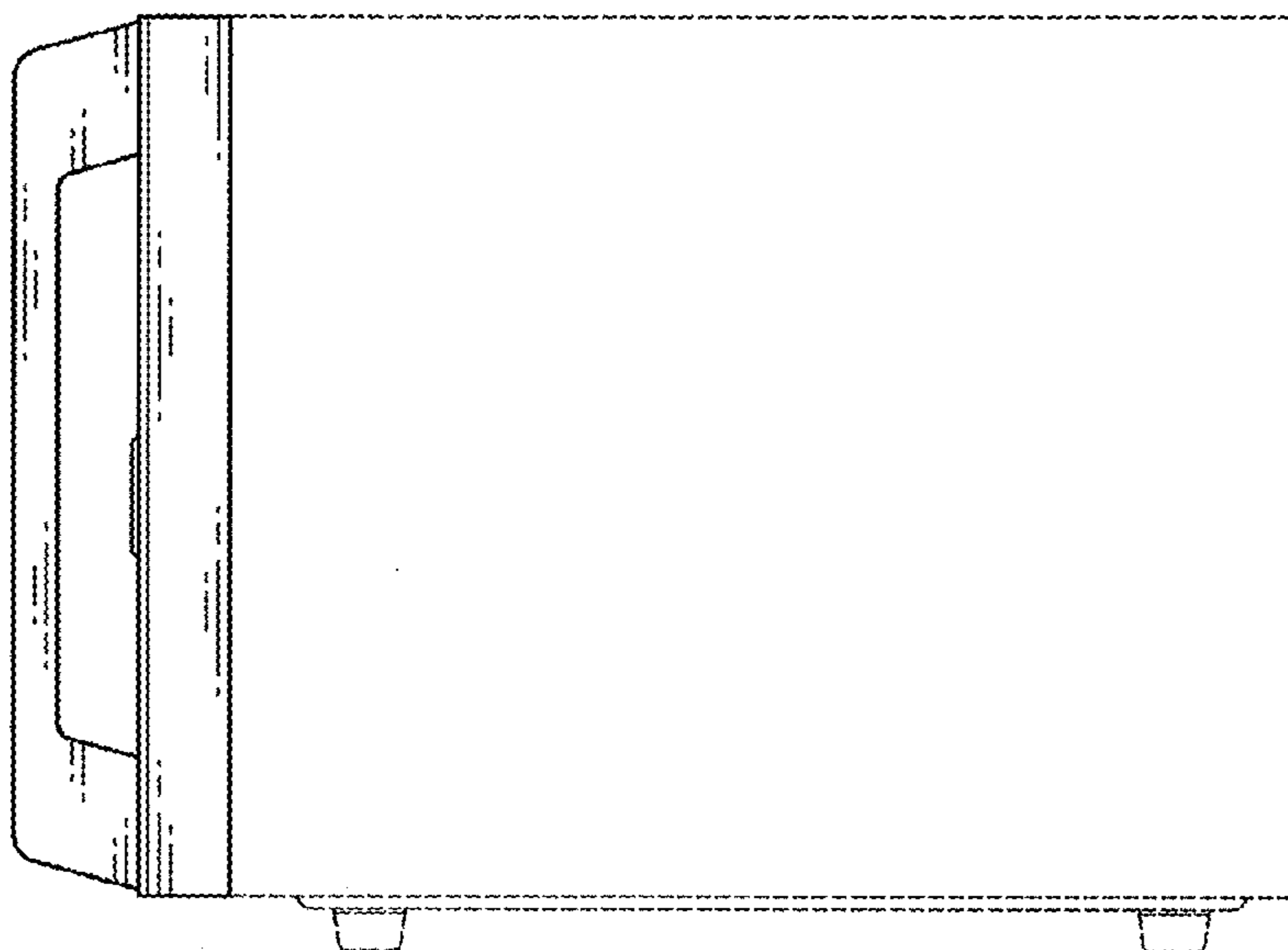


FIG. 6

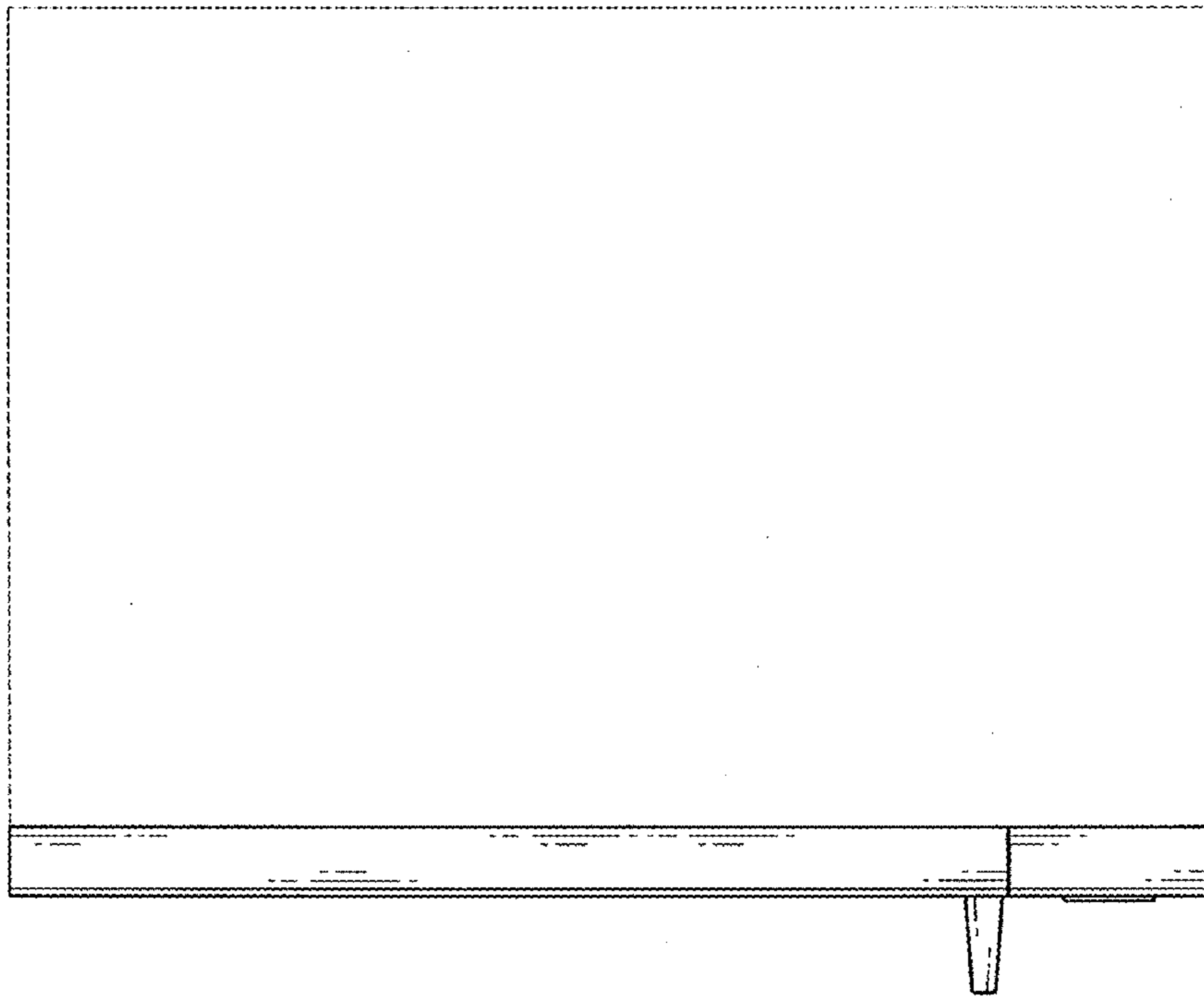


FIG. 7

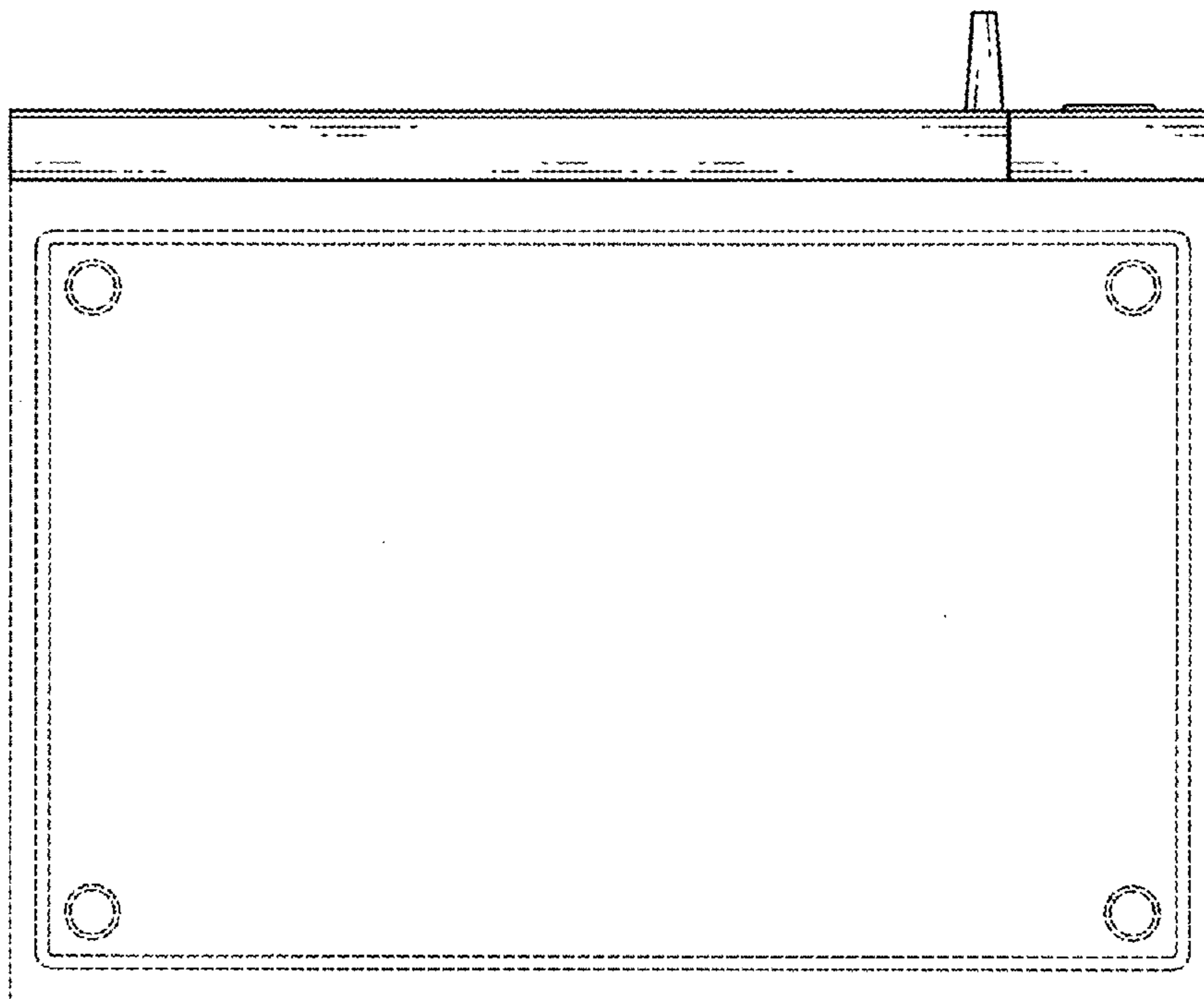


FIG. 8

