

US00D762412S

(12) **United States Design Patent**
Kestenbaum

(10) **Patent No.:** **US D762,412 S**

(45) **Date of Patent:** **** Aug. 2, 2016**

- (54) **LID FOR WATER CONTAINER**
- (71) Applicant: **SharkNinja Operating LLC**, Newton, MA (US)
- (72) Inventor: **Daniel Kestenbaum**, Cambridge, MA (US)
- (73) Assignee: **SHARKNINJA OPERATING LLC**, Newton, MA (US)
- (**) Term: **14 Years**
- (21) Appl. No.: **29/523,308**
- (22) Filed: **Apr. 8, 2015**

D307,754 S *	5/1990	Osrow	D15/82
D334,684 S	4/1993	Hoffmann		
D360,106 S	7/1995	Sintchak		
D379,049 S *	5/1997	Amiel	D7/305
D404,604 S *	1/1999	Pochopien	D7/309
D409,875 S *	5/1999	Alonge	D7/309
D414,647 S *	10/1999	Driscoll	D7/309
D489,214 S *	5/2004	Noda	D7/309
D496,553 S *	9/2004	Bodum	D7/309
D501,352 S *	2/2005	Lin	D7/309
D507,449 S *	7/2005	Burton	D7/309
D514,371 S *	2/2006	Yang	D7/306
D522,402 S *	6/2006	Johari	D11/91
D556,498 S *	12/2007	Harris	D7/306
D560,950 S *	2/2008	Schwamkrug	D7/309
D581,197 S *	11/2008	Kassenaar	D7/306
D584,922 S *	1/2009	Spiegel	D7/309
D585,229 S *	1/2009	de Visser	D7/309
D596,442 S *	7/2009	Cahen	D7/309
D627,188 S	11/2010	Picozza et al.		
D703,989 S *	5/2014	Garman	D7/305

Related U.S. Application Data

- (63) Continuation of application No. 29/488,691, filed on Apr. 22, 2014, now Pat. No. Des. 736,025.
- (51) **LOC (10) Cl.** **07-01**
- (52) **U.S. Cl.**
USPC **D7/392; D7/397; D7/399**
- (58) **Field of Classification Search**
USPC D7/306-311, 305, 300, 313, 400, 397, D7/399, 401, 392; 99/279, 284, 290, 280, 99/299, 307, 323.1; 222/23, 129.1; 62/395; D20/1
CPC A47J 31/44; A47J 31/00; B67D 1/0041; B67D 3/00
See application file for complete search history.

(Continued)

Primary Examiner — Marianne Pandozzi

(74) *Attorney, Agent, or Firm* — Cantor Colburn LLP

(57) **CLAIM**

The ornamental design for a lid for water container, as shown and described.

DESCRIPTION

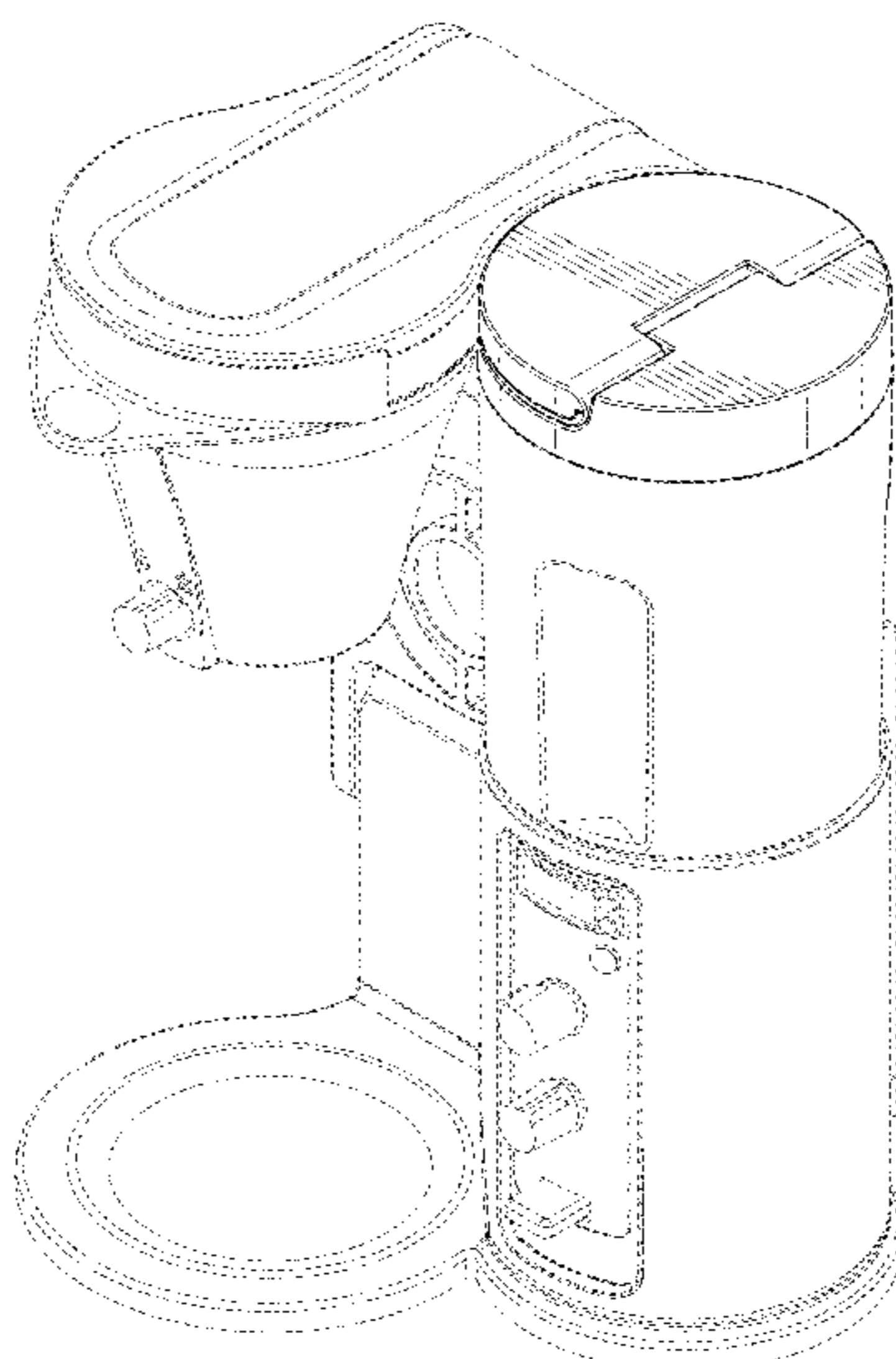
FIG. 1 is a perspective view of a lid for water container showing our new design;
 FIG. 2 is another perspective view thereof;
 FIG. 3 is a front view thereof;
 FIG. 4 is a back view thereof;
 FIG. 5 is a top plan view thereof;
 FIG. 6 is a bottom plan view thereof;
 FIG. 7 is a side view thereof; and,
 FIG. 8 is another side view thereof.
 The broken lines are for environmental purpose only and form no part of the claimed design.

(56) **References Cited**

U.S. PATENT DOCUMENTS

D220,579 S *	4/1971	Wickenberg	D7/309
D234,285 S	2/1975	Wickenberg		
D240,386 S *	7/1976	Stuetzer	D7/309
D254,892 S	5/1980	Smit		
D255,313 S	6/1980	Elkerbout		
4,721,034 A *	1/1988	Shimomura	A47J 31/047 99/280

1 Claim, 8 Drawing Sheets



US D762,412 S

Page 2

(56)

References Cited

U.S. PATENT DOCUMENTS

D712,188 S * 9/2014 Averty D7/309
D714,088 S * 9/2014 Cahen D7/309
D718,563 S * 12/2014 Deman D7/305

D718,972 S * 12/2014 Jorgensen D7/309
D726,478 S * 4/2015 Cahen D7/306
D728,988 S 5/2015 Warburton
D736,025 S * 8/2015 Kestenbaum D7/309
D745,307 S * 12/2015 Kestenbaum D7/309

* cited by examiner

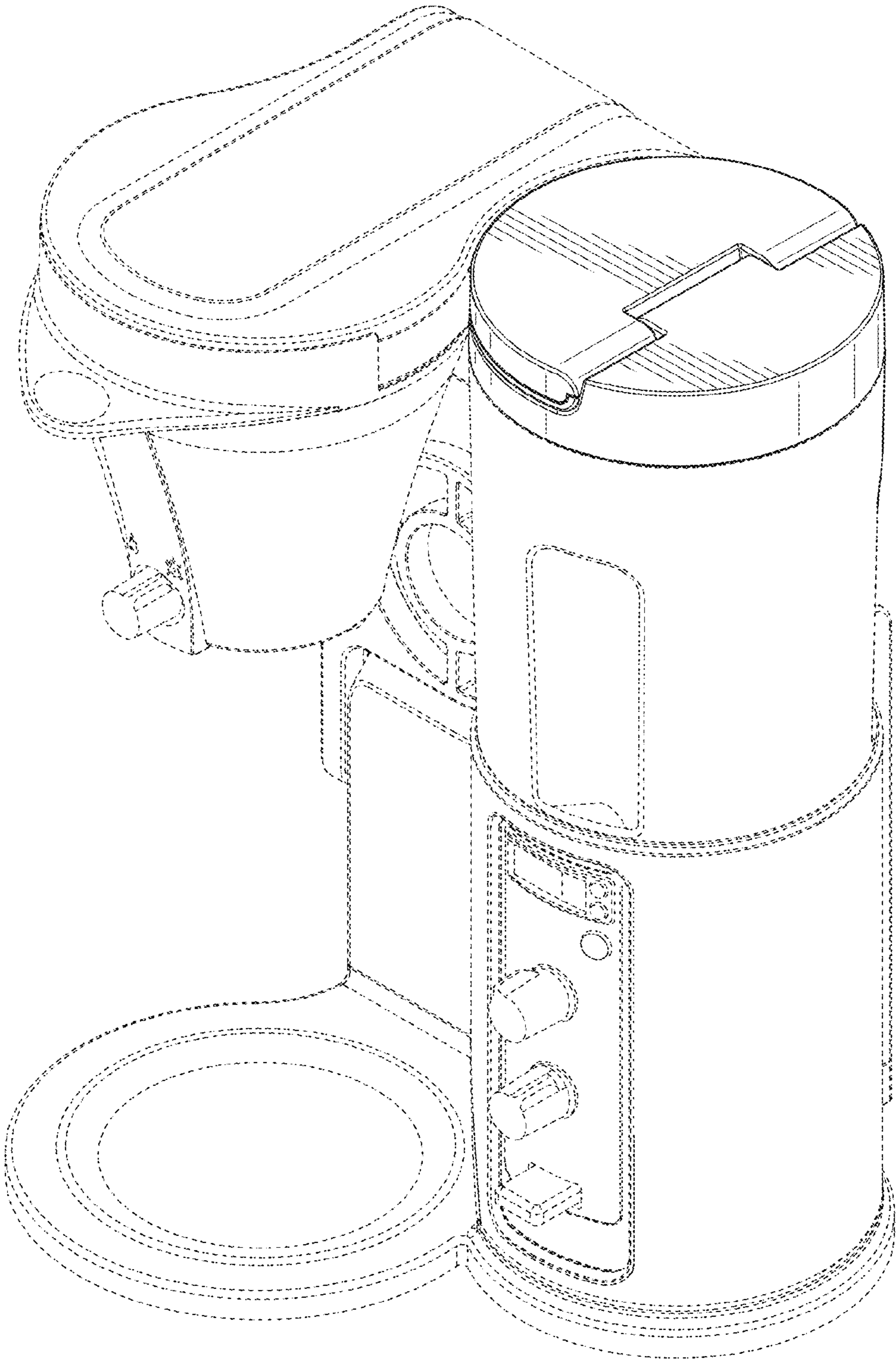


FIG. 1

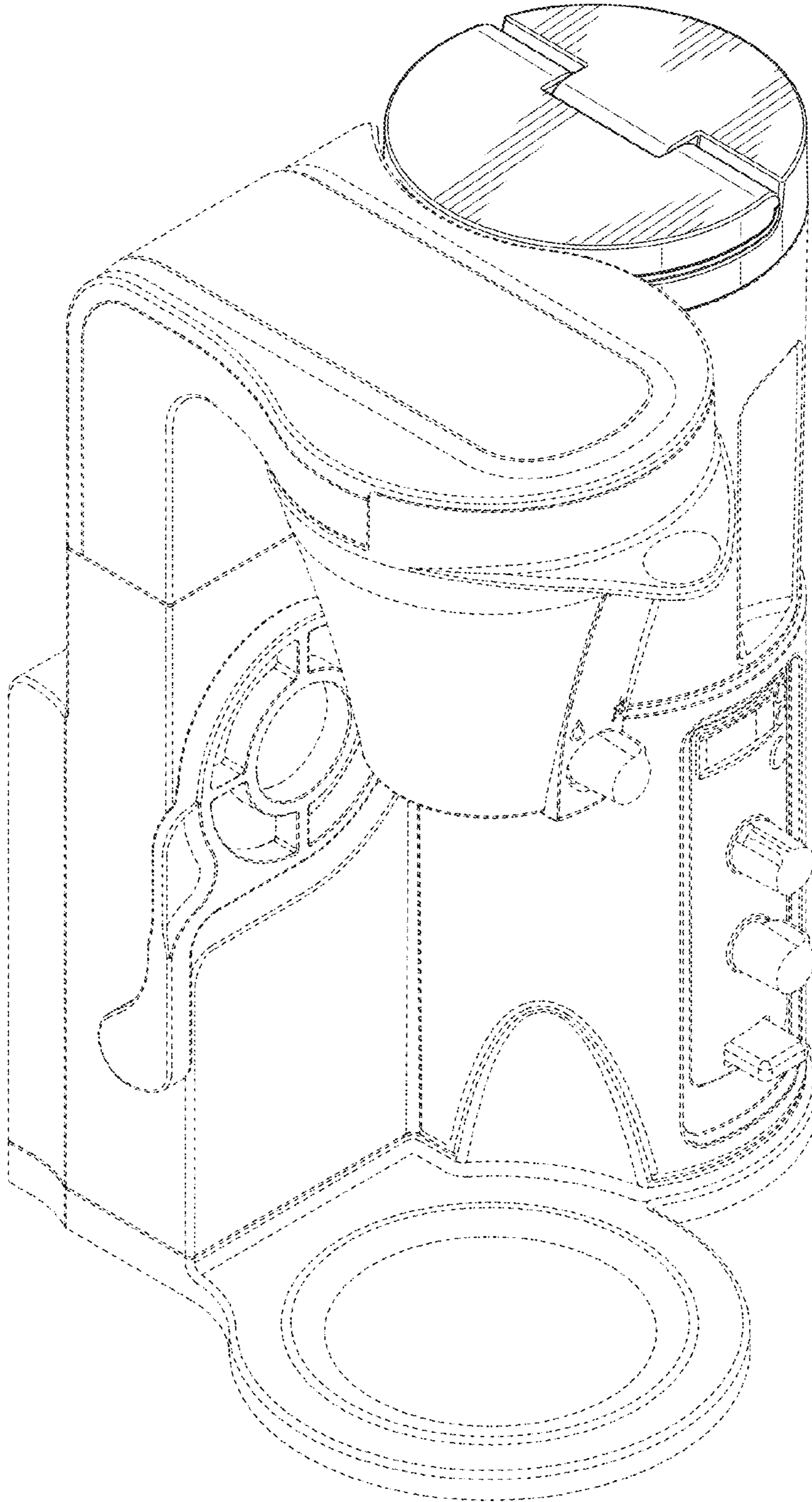


FIG. 2

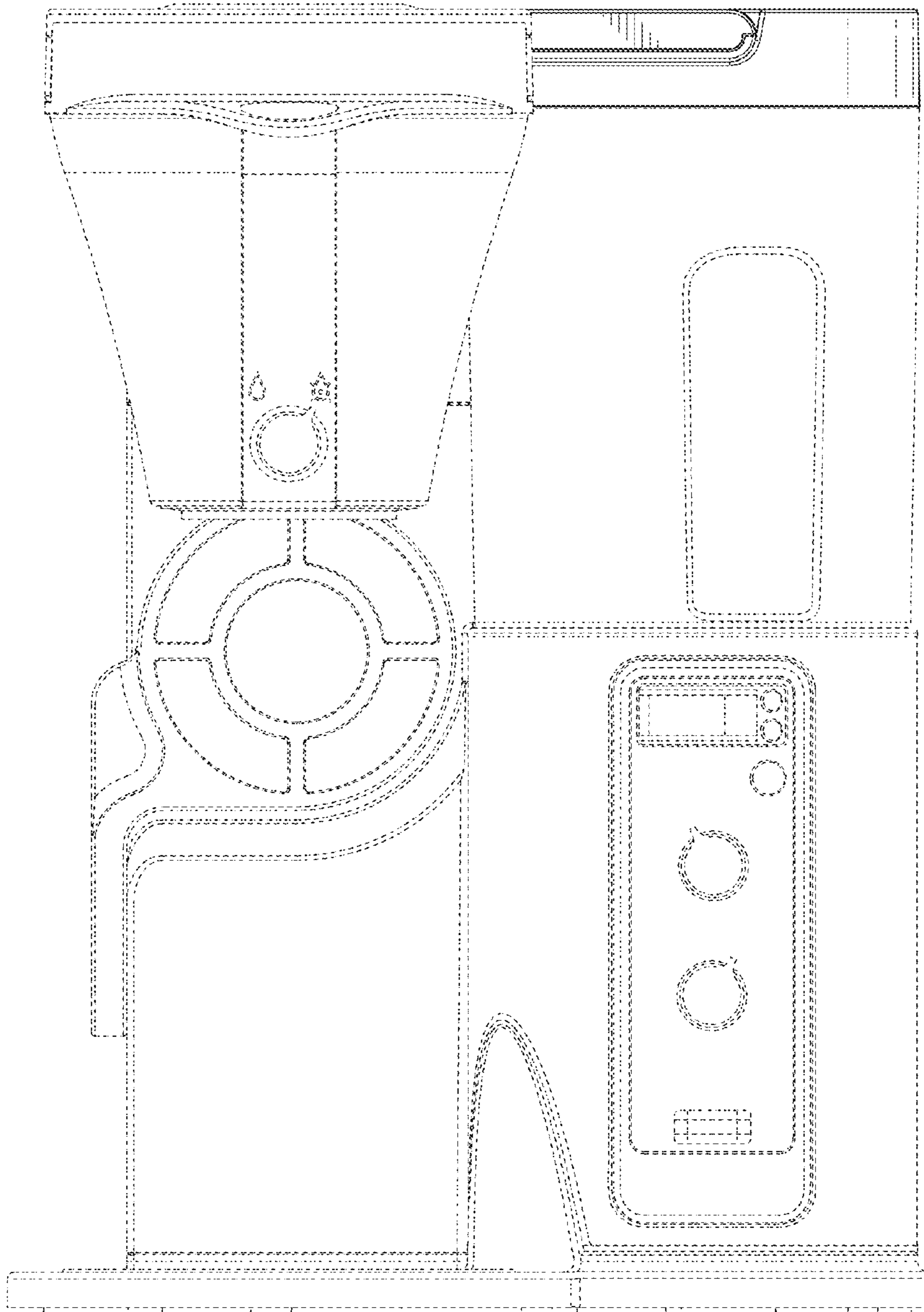


FIG. 3

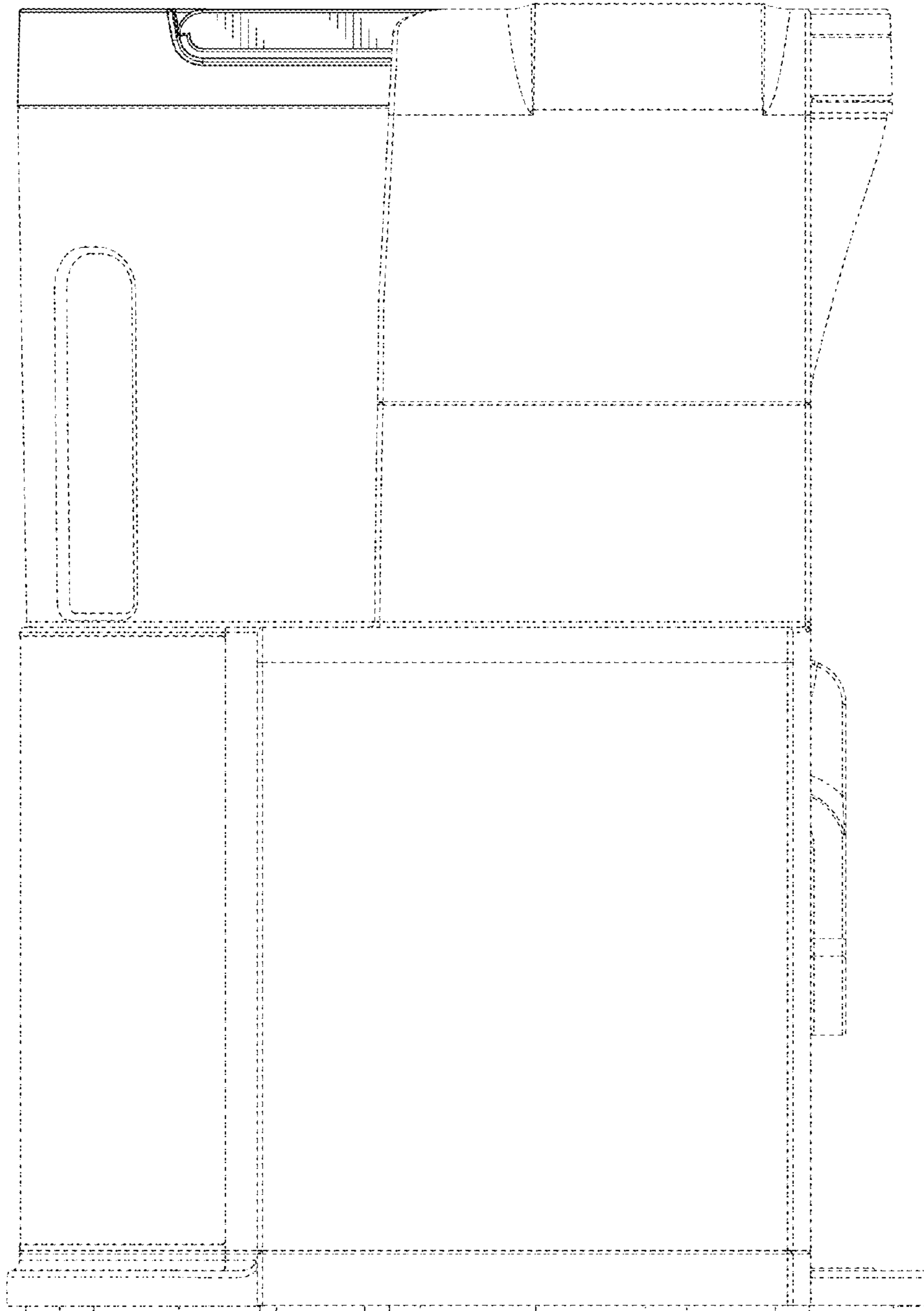


FIG. 4

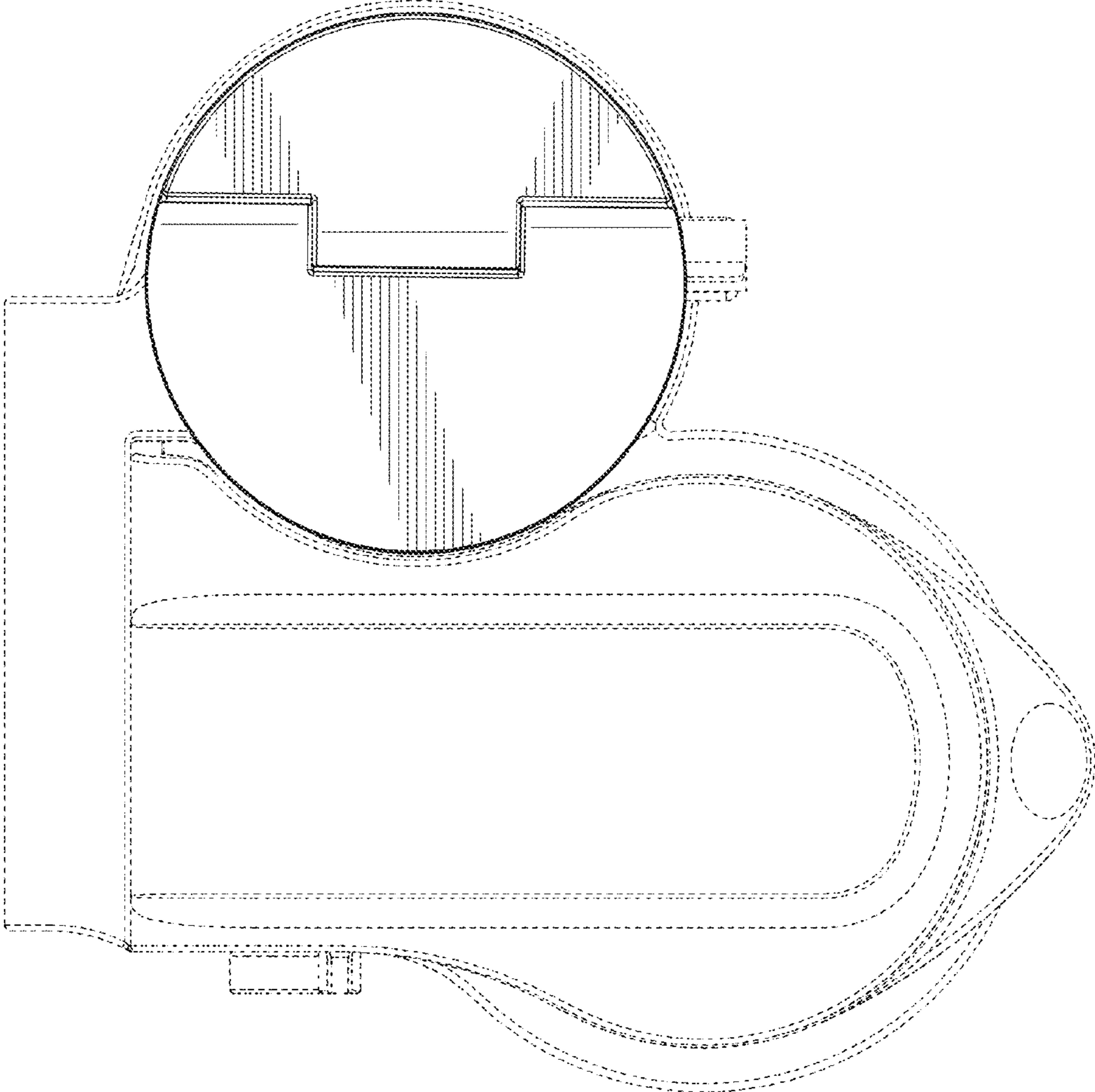


FIG. 5

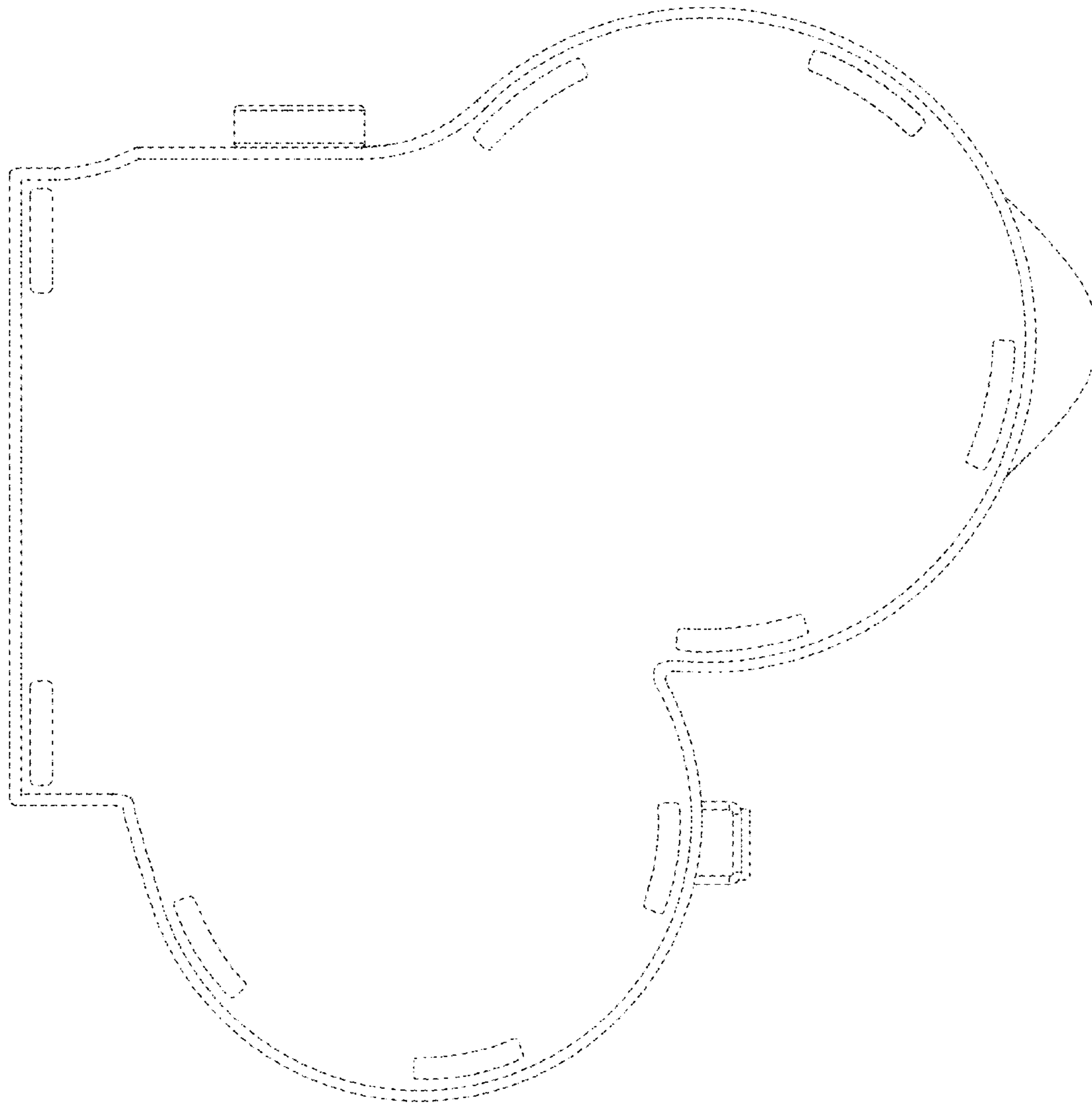


FIG. 6

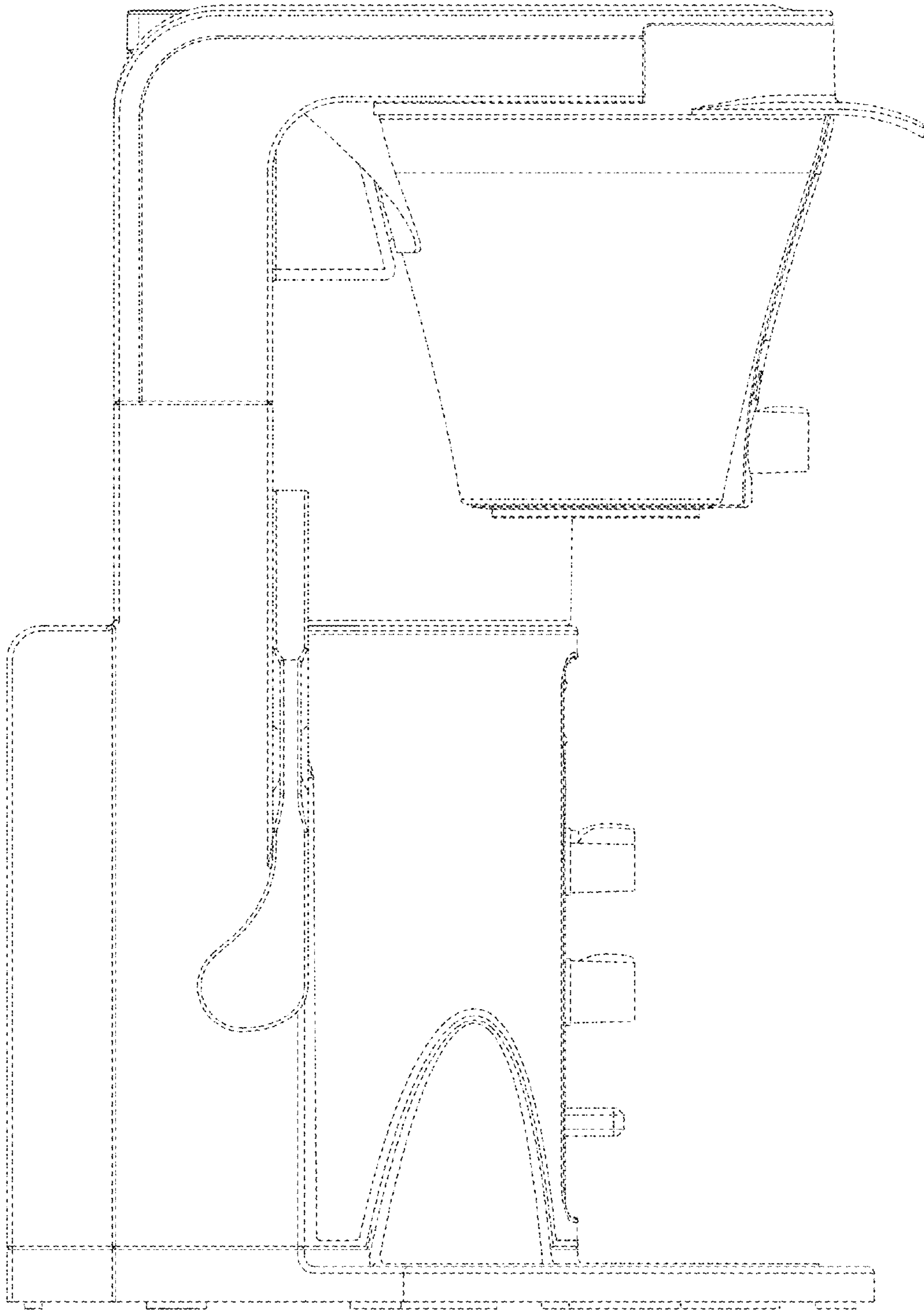


FIG. 7

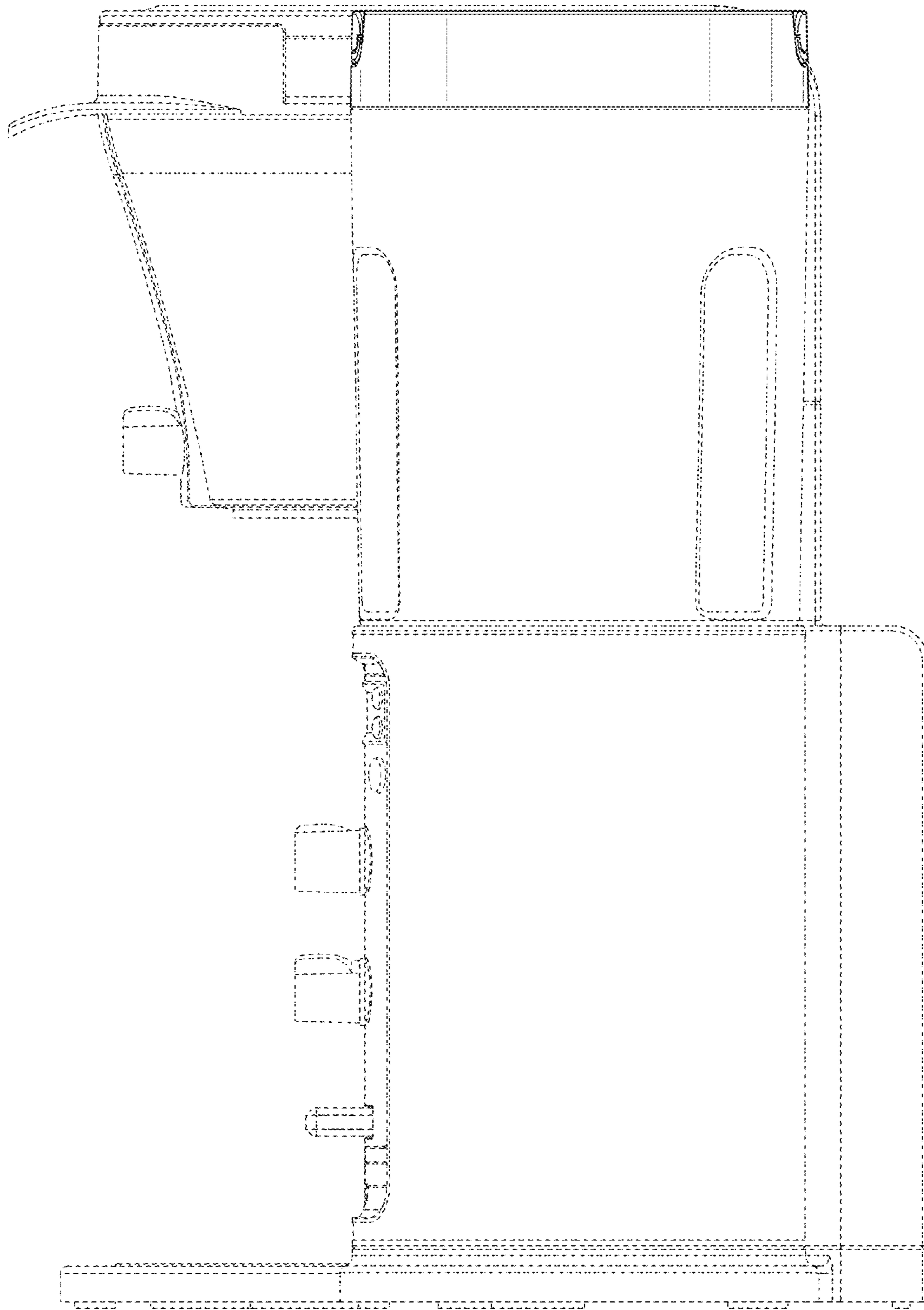


FIG. 8