

US00D762411S

(12) **United States Design Patent**  
**McDonald et al.**

(10) **Patent No.:** **US D762,411 S**  
(45) **Date of Patent:** **\*\* Aug. 2, 2016**

(54) **PORTION OF A WATER PITCHER LID**

(71) Applicant: **Brita LP**, Oakland, CA (US)

(72) Inventors: **Jonathan McDonald**, Danville, CA (US); **David Deacon**, Hong Kong (HK)

(73) Assignee: **Brita LP**, Oakland, CA (US)

(\*\*) Term: **14 Years**

(21) Appl. No.: **29/516,903**

(22) Filed: **Feb. 6, 2015**

(51) **LOC (10) Cl.** ..... **07-99**

(52) **U.S. Cl.**  
USPC ..... **D7/392; D7/392.1; D7/400; D7/397**

(58) **Field of Classification Search**  
USPC ..... D7/300.1, 510, 511, 598, 599, 600, 608, D7/515, 523, 312, 306, 300, 316-319, 400, D7/398, 397, 399, 401, 392.1, 392; 169/71; D9/680; D22/112; 102/486; D29/125, 126; 220/713, 715, 739; D23/209; D10/46.2; 210/264, 321.6; 62/457.3

CPC ..... A47G 19/22; A47G 21/18; A47G 19/00; A47G 19/12; A47G 19/127; A62C 13/003; A47J 43/044; F25D 2303/0831; B01D 29/05; B01D 29/085; B01D 2201/4084; C02F 1/003  
See application file for complete search history.

(56) **References Cited**

**U.S. PATENT DOCUMENTS**

D340,382 S \* 10/1993 Bannigan ..... D7/400  
5,503,740 A \* 4/1996 Callaghan ..... B01D 29/05  
210/232  
5,609,194 A \* 3/1997 Link ..... A47G 19/12  
141/331  
D386,944 S \* 12/1997 Demore ..... D23/209  
5,800,707 A \* 9/1998 Mehnert ..... C02F 1/003  
210/232

D415,922 S \* 11/1999 Kawasaki ..... D7/317  
D437,027 S \* 1/2001 Flagler ..... D23/209  
D459,941 S \* 7/2002 Miller ..... D23/207  
D520,597 S \* 5/2006 Witte ..... D23/209  
D558,516 S 1/2008 Bulala et al.  
D584,913 S \* 1/2009 Green ..... D7/317  
D585,231 S \* 1/2009 Bulala ..... D7/317  
D586,605 S \* 2/2009 Ma ..... D7/317  
D600,498 S \* 9/2009 Ma ..... D7/397  
D604,088 S \* 11/2009 Bursztein ..... D7/317  
D618,032 S 6/2010 Kulikov et al.  
D626,777 S \* 11/2010 Bell ..... D7/317  
D626,779 S \* 11/2010 Bell ..... D7/317  
D640,769 S 6/2011 Sheppard et al.  
D640,770 S 6/2011 Sheppard et al.  
D675,861 S \* 2/2013 Gray ..... D7/317  
D680,789 S \* 4/2013 Bell ..... D7/317  
D680,790 S \* 4/2013 Bell ..... D7/317  
D680,791 S \* 4/2013 Bell ..... D7/317  
D688,095 S \* 8/2013 DeMiglio ..... D7/400

(Continued)

*Primary Examiner* — Marianne Pandozzi

(74) *Attorney, Agent, or Firm* — Thomas C. Feix; Stacy H. Combs

(57)

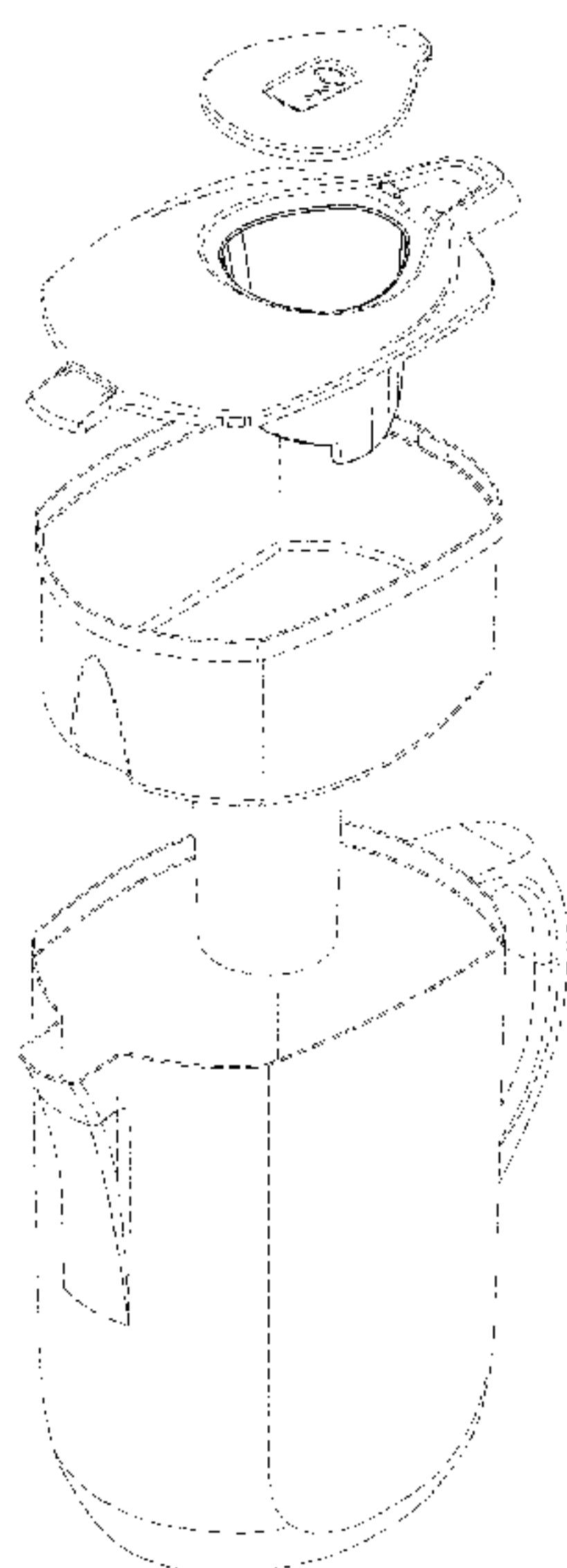
**CLAIM**

The ornamental design for a portion of a water pitcher lid, as shown and described.

**DESCRIPTION**

FIG. 1 is an exploded perspective view of a portion of a water pitcher lid showing our new design; FIG. 2 is a front perspective view thereof; FIG. 3 is a top plan view of FIG. 2; FIG. 4 is bottom plan view of FIG. 2; FIG. 5 is a left side elevational view of FIG. 2; FIG. 6 is a right side elevational view of FIG. 2; FIG. 7 is front view of FIG. 2; and, FIG. 8 is a back view of FIG. 2. The broken lines in the drawing depict environmental subject matter only and form no part of the claimed design.

**1 Claim, 3 Drawing Sheets**



# US D762,411 S

Page 2

---

(56)

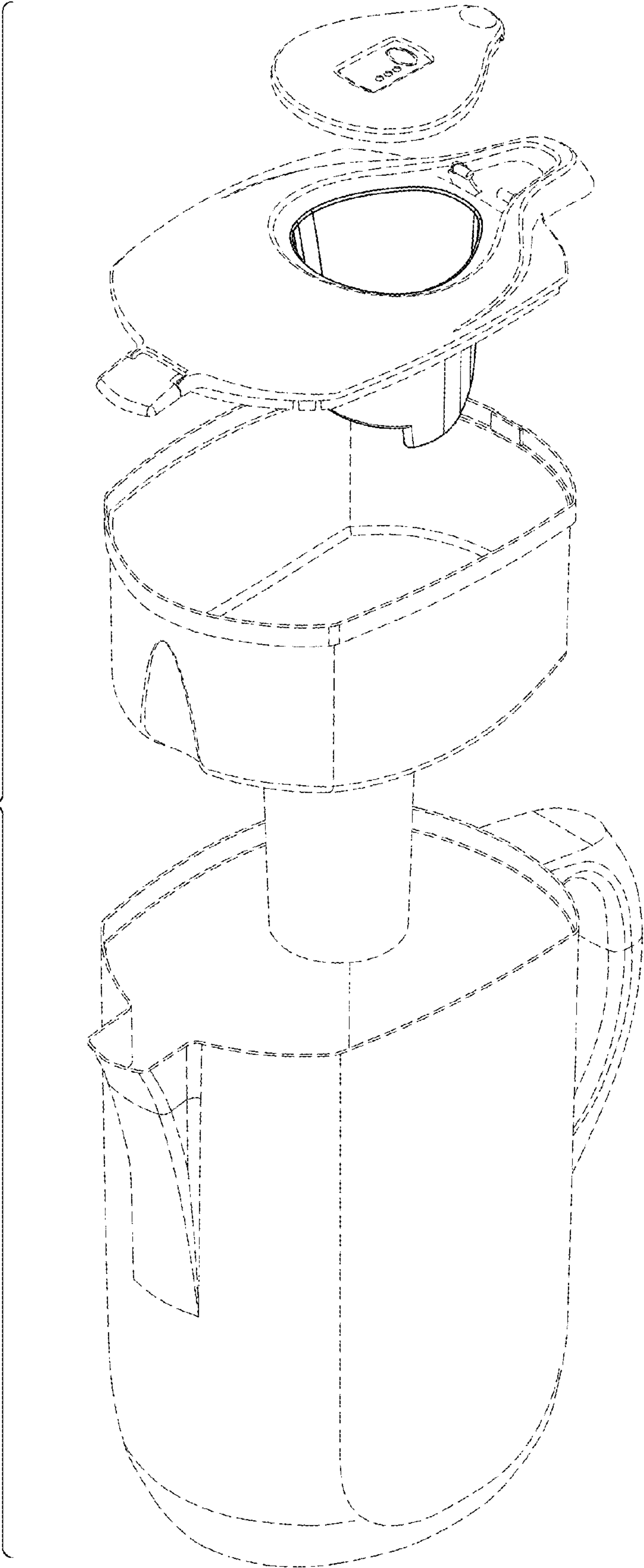
## References Cited

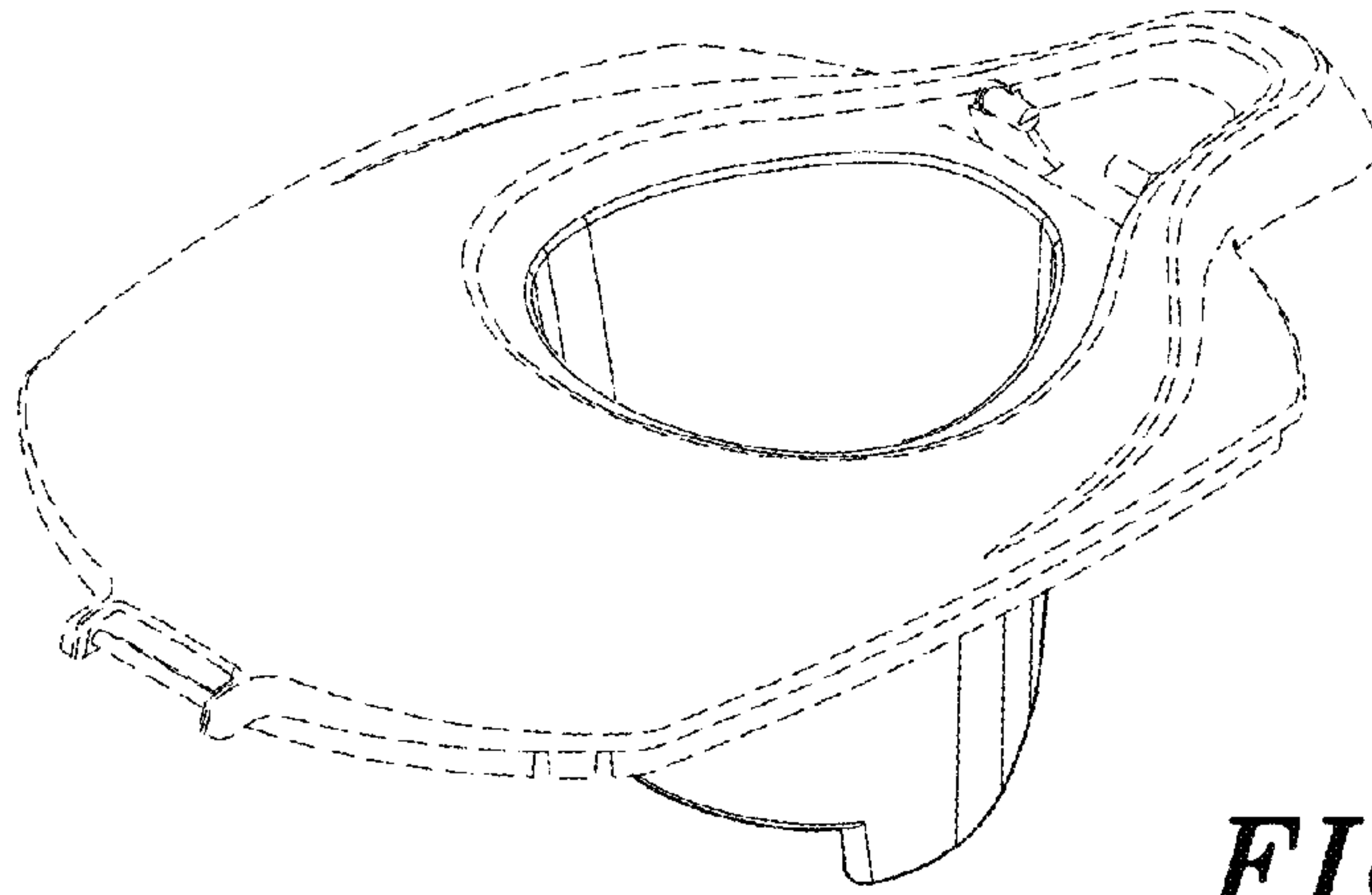
U.S. PATENT DOCUMENTS

9,090,483 B2 \* 7/2015 Rajan ..... C02F 1/003  
D753,954 S \* 4/2016 Schreiber ..... D7/400

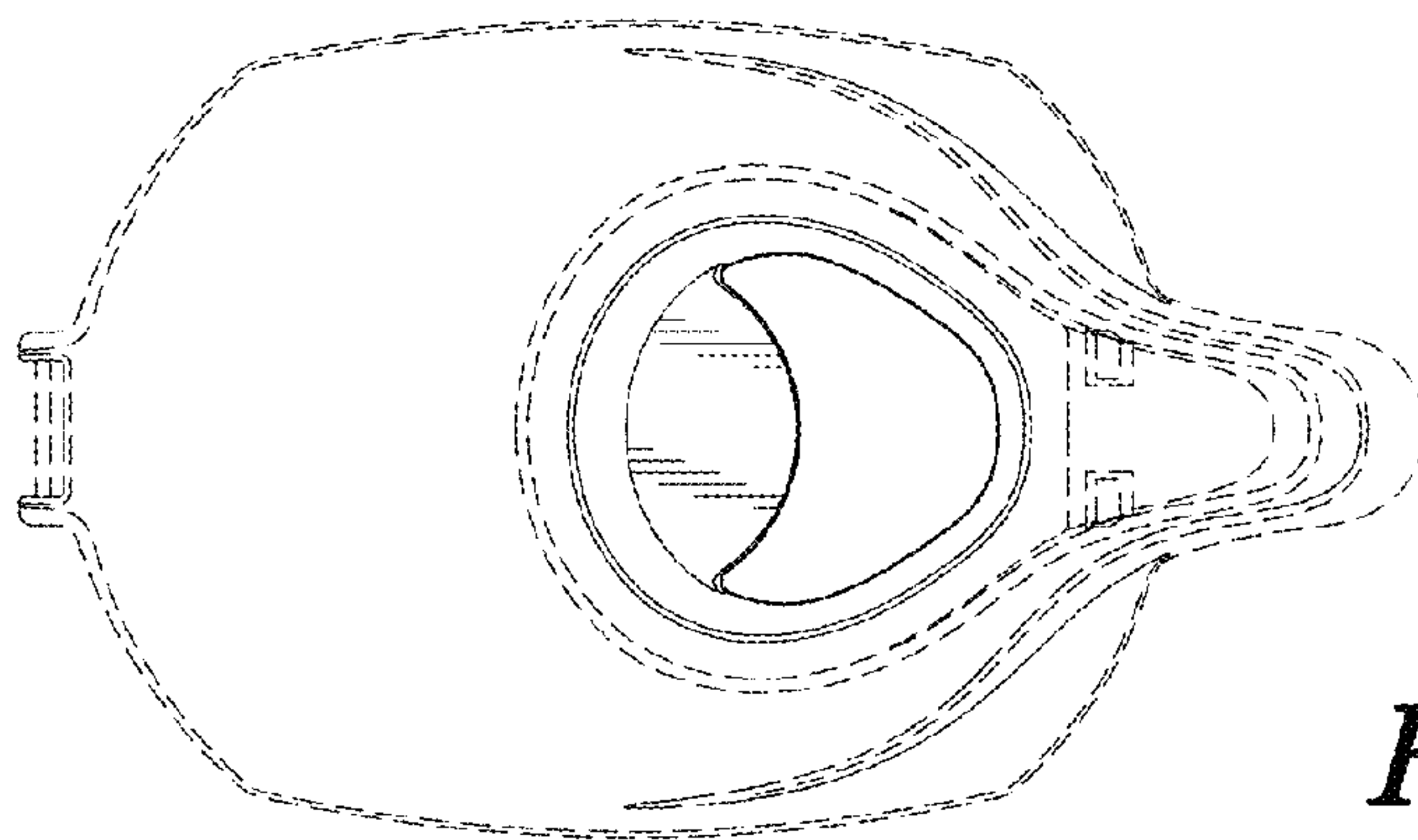
D707,490 S \* 6/2014 Hertaus ..... D7/397 \* cited by examiner

**FIG. 1**

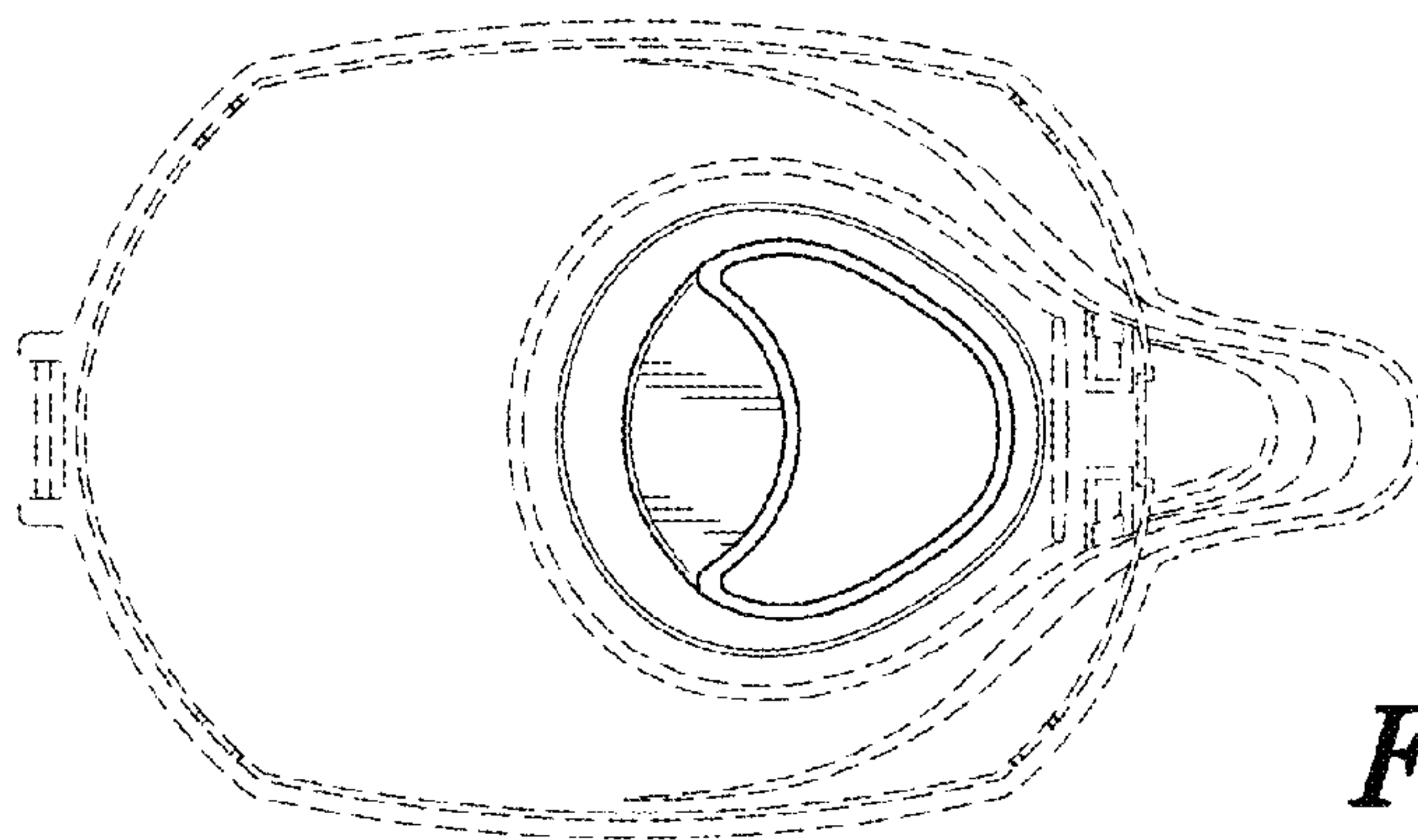




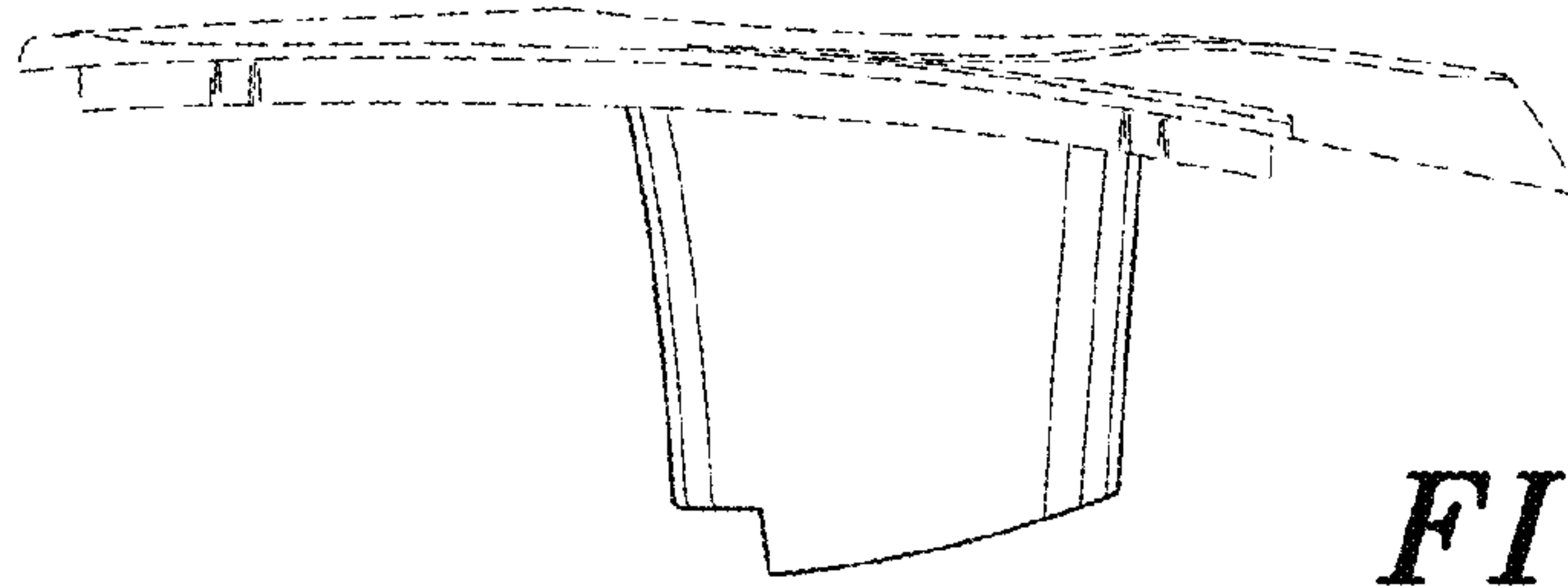
**FIG. 2**



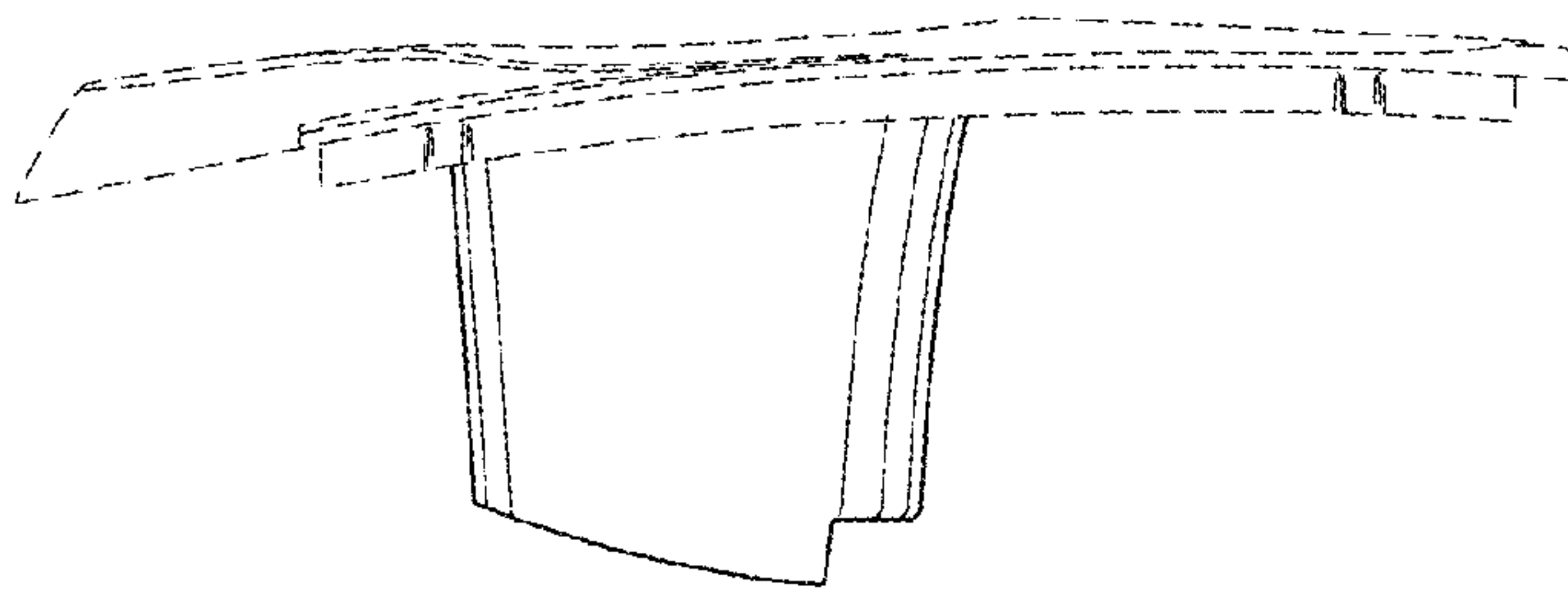
**FIG. 3**



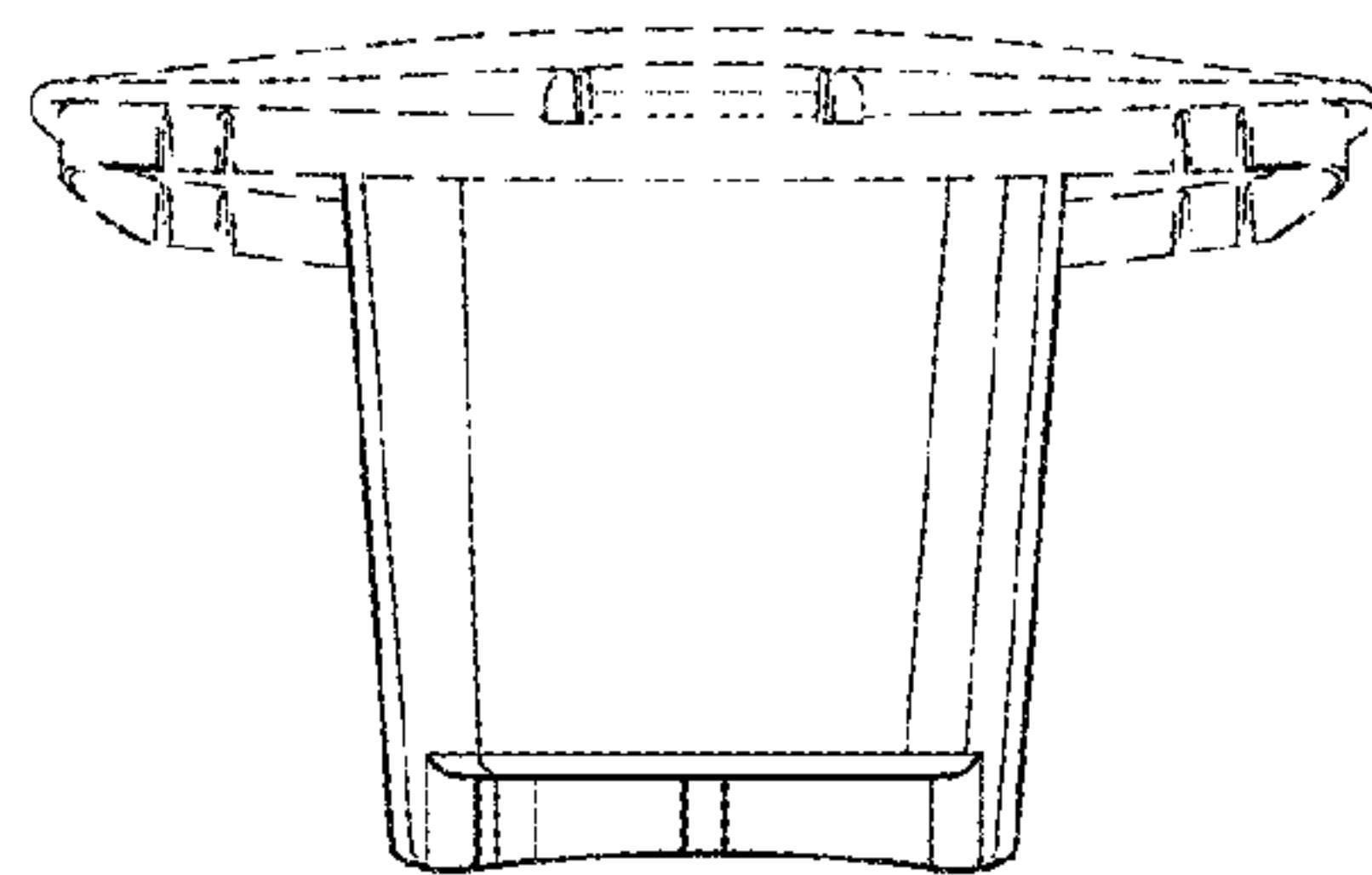
**FIG. 4**



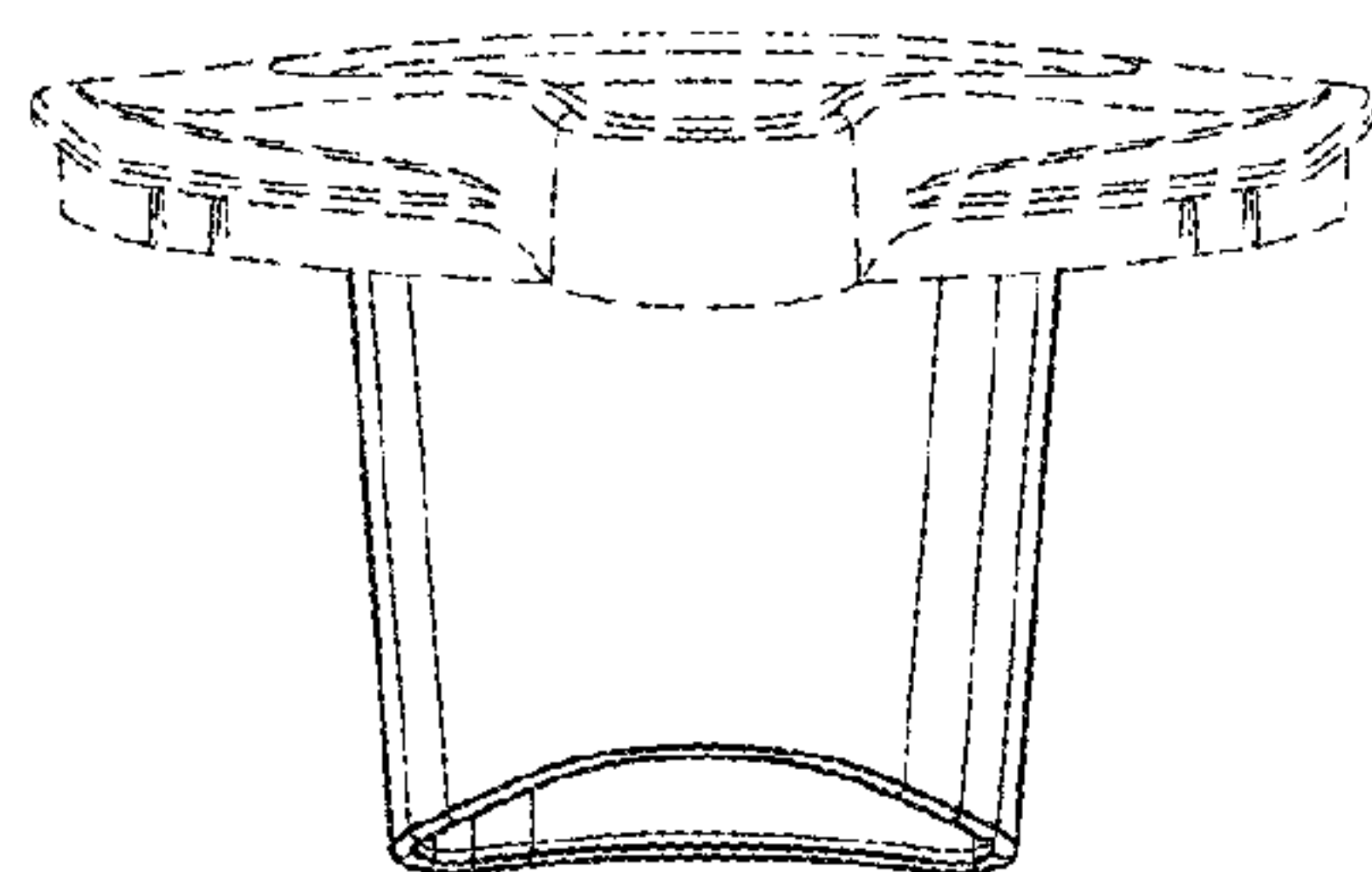
*FIG. 5*



*FIG. 6*



*FIG. 7*



*FIG. 8*