

US00D762410S

(12) **United States Design Patent**  
**McConnell et al.**

(10) **Patent No.:** **US D762,410 S**  
(45) **Date of Patent:** **\*\* Aug. 2, 2016**

(54) **BOWL LID**  
(71) Applicant: **Whirlpool Corporation**, Benton Harbor, MI (US)  
(72) Inventors: **John W. McConnell**, St. Joseph, MI (US); **Leif A. Norland**, St. Joseph, MI (US); **Zhao Yi Yin**, Benton Harbor, MI (US)

4,469,237 A 9/1984 Zerdian et al.  
4,685,587 A 8/1987 Sebillotte  
5,100,157 A 3/1992 Chabala  
5,641,085 A 6/1997 Lonbardo  
D508,378 S \* 8/2005 Bertulis ..... D7/629  
D639,107 S \* 6/2011 Barber ..... D7/354  
D664,804 S \* 8/2012 Cheng ..... D7/354  
8,739,690 B2 6/2014 Chameroy et al.  
2015/0136786 A1 \* 5/2015 Lonner ..... B65D 81/24  
220/529

(73) Assignee: **Whirlpool Corporation**, Benton Harbor, MI (US)

**FOREIGN PATENT DOCUMENTS**

(\*\*) Term: **14 Years**

WO 0139643 A1 6/2001  
\* cited by examiner

(21) Appl. No.: **29/519,543**

*Primary Examiner* — Ricky Pham

(22) Filed: **Mar. 5, 2015**

(57) **CLAIM**

(51) **LOC (10) Cl.** ..... **07-02**

We claim the ornamental design for a bowl lid, as shown and described.

(52) **U.S. Cl.**

**DESCRIPTION**

USPC ..... **D7/391**; D7/354; D7/360; D7/361

(58) **Field of Classification Search**

USPC ..... D7/323, 354-363, 391, 393-396, 409, D7/629

CPC ..... A47G 19/12; A47J 27/00; A47J 27/002; A47J 27/08; A47J 27/21; A47J 27/58; A47J 36/025; A47J 36/06; A47J 36/12; A47J 37/00; A47J 37/10; A47J 37/101; A47J 37/103; A47J 37/12; A47J 37/1204; A47J 45/061; A47J 45/071; A47J 45/08; B65D 81/24; H05B 6/12

See application file for complete search history.

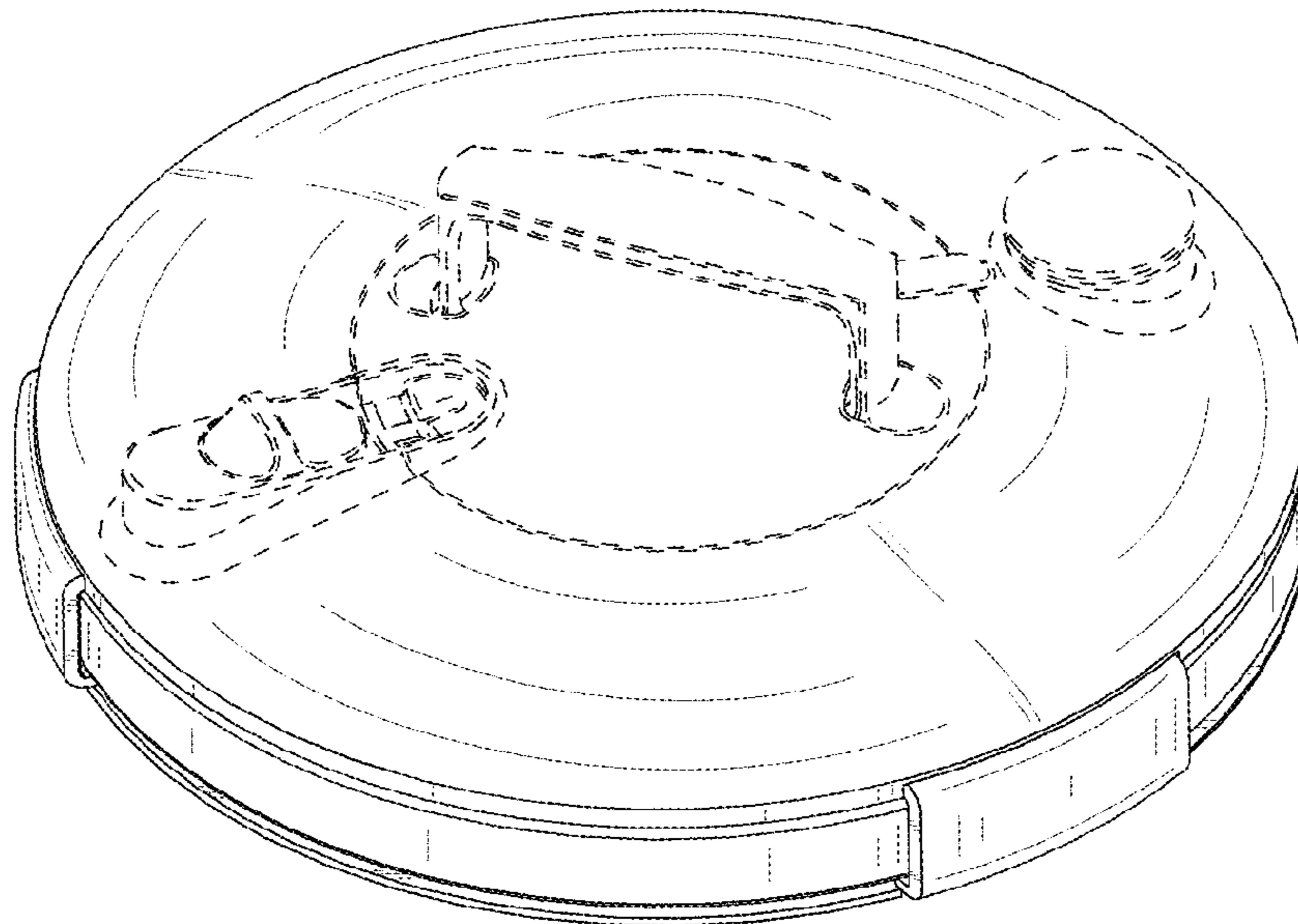
FIG. 1 is a top perspective view of a bowl lid of the present disclosure;  
FIG. 2 is a bottom perspective view of the bowl lid of FIG. 1;  
FIG. 3 is a first side elevational view of the bowl lid of FIG. 1;  
FIG. 4 is a second side elevational view of the bowl lid of FIG. 1;  
FIG. 5 is a third side elevational view of the bowl lid of FIG. 1;  
FIG. 6 is a fourth side elevational view of the bowl lid of FIG. 1;  
FIG. 7 is a top plan view of the bowl lid of FIG. 1; and,  
FIG. 8 is a bottom plan view of the bowl lid of FIG. 1.  
The broken lines shown in the drawings are for illustrative purposes only and form no part of the claimed design.

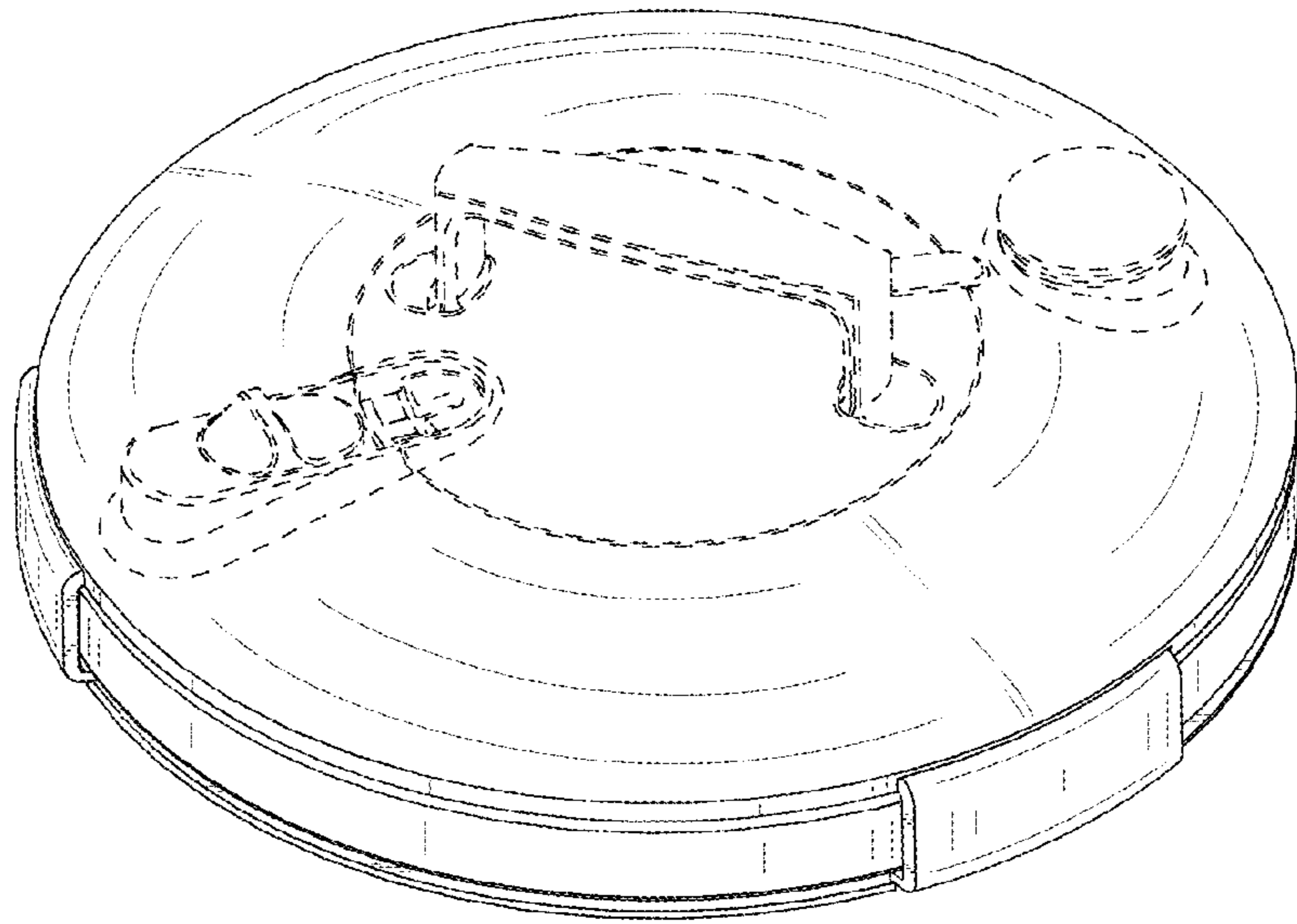
(56) **References Cited**

**U.S. PATENT DOCUMENTS**

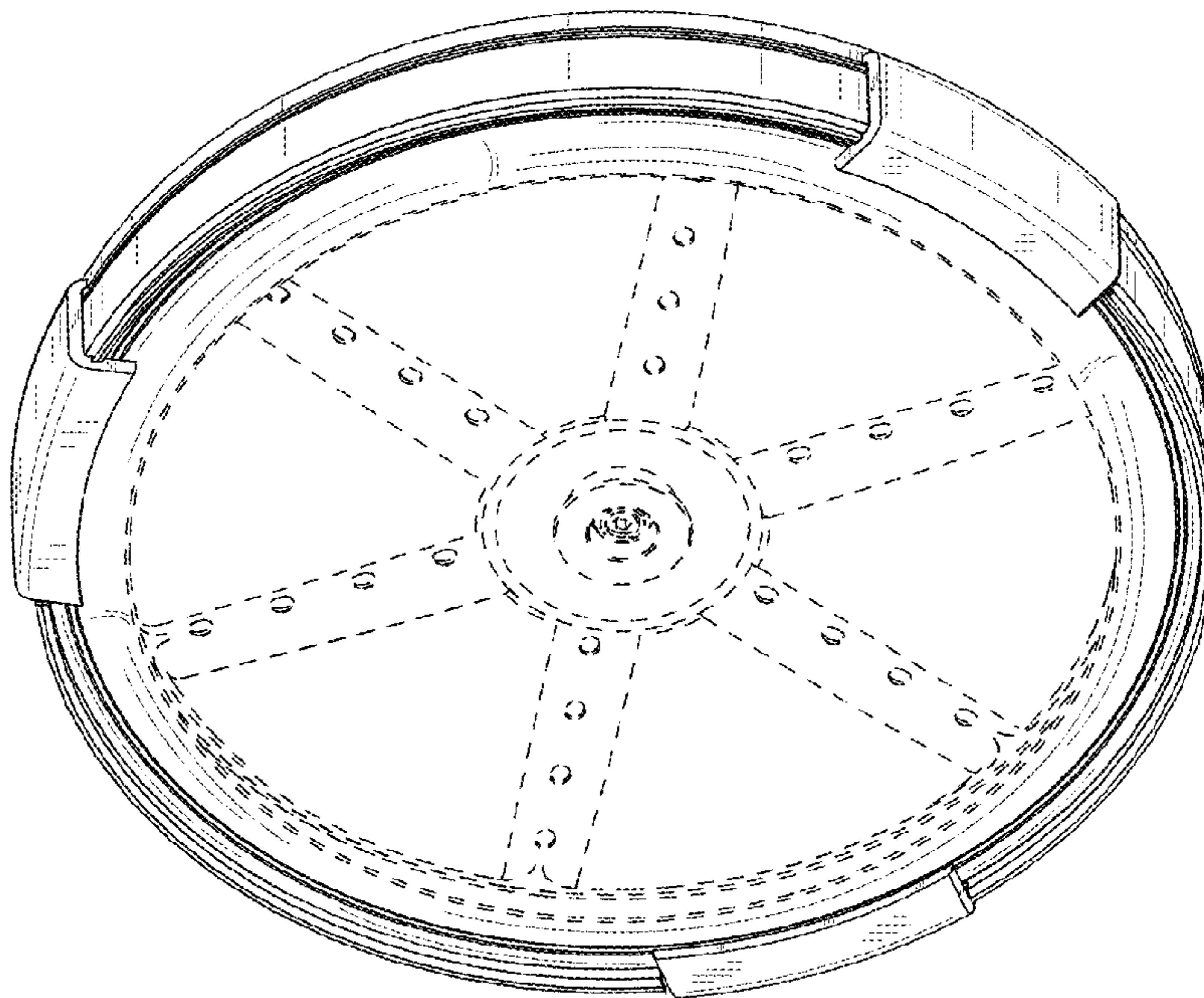
D102,574 S \* 12/1936 Nelson ..... D7/391  
2,592,992 A 4/1952 Abercrombie

**1 Claim, 4 Drawing Sheets**

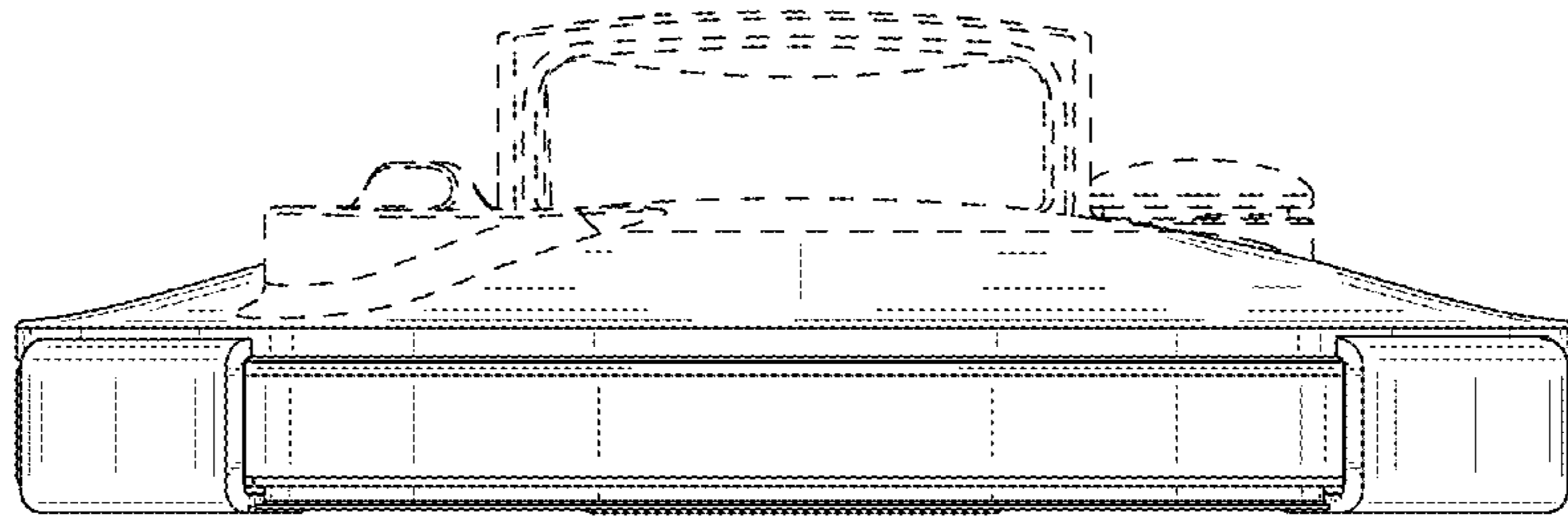




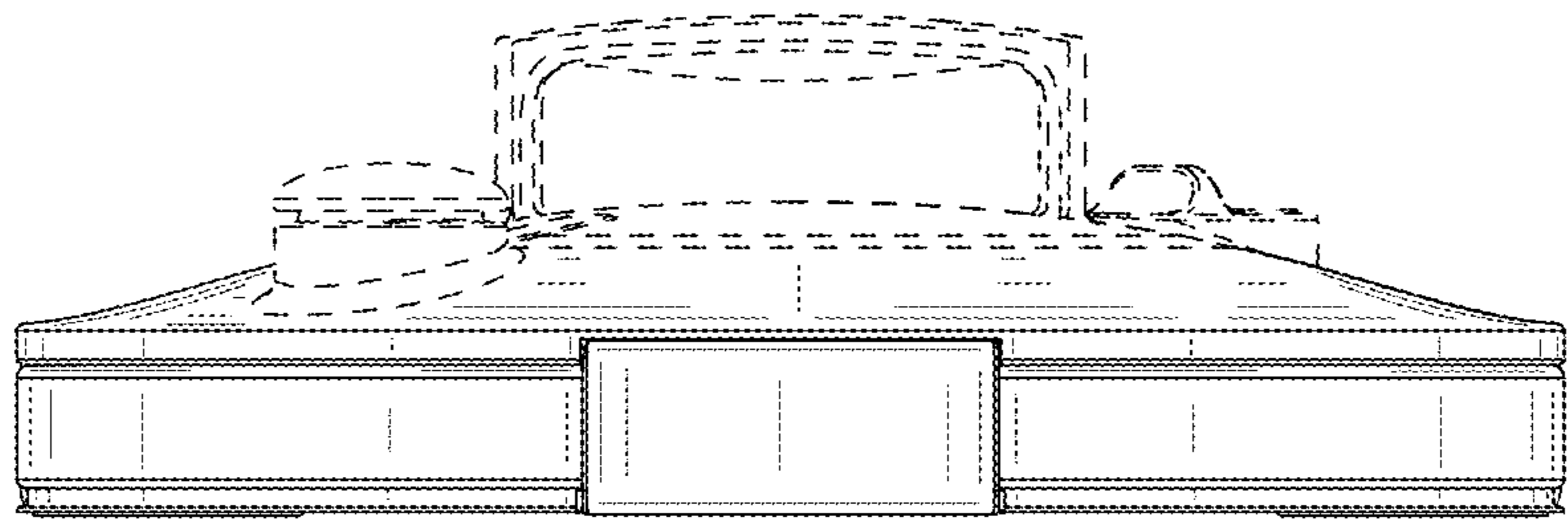
**FIG. 1**



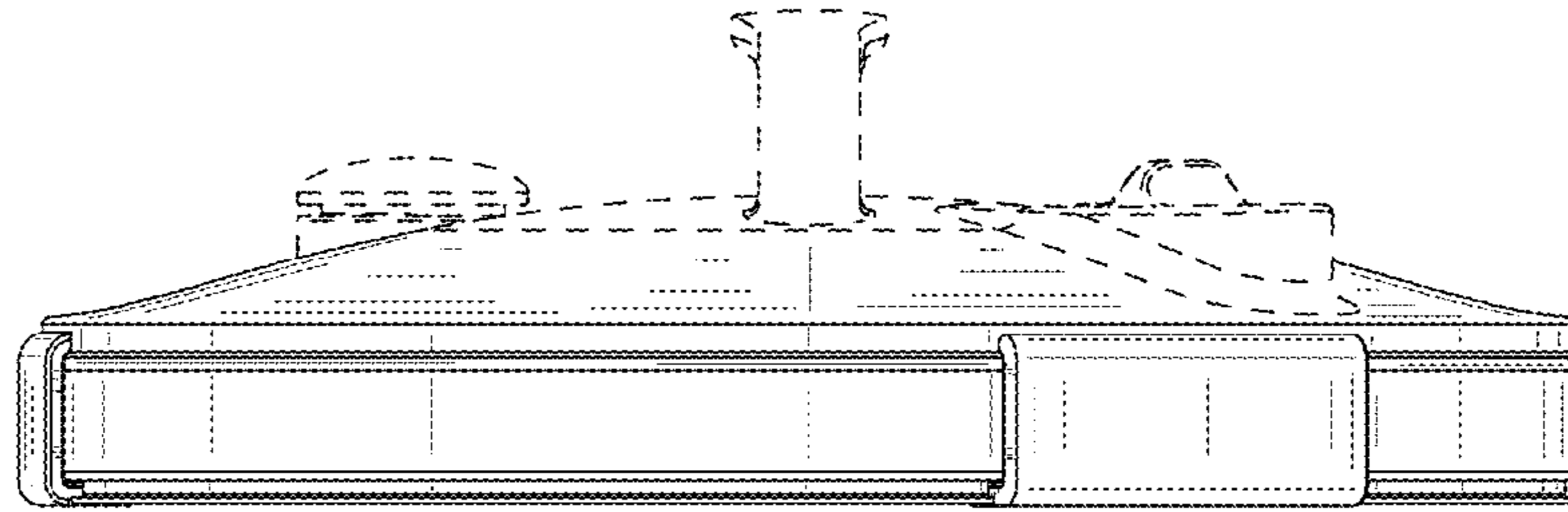
**FIG. 2**



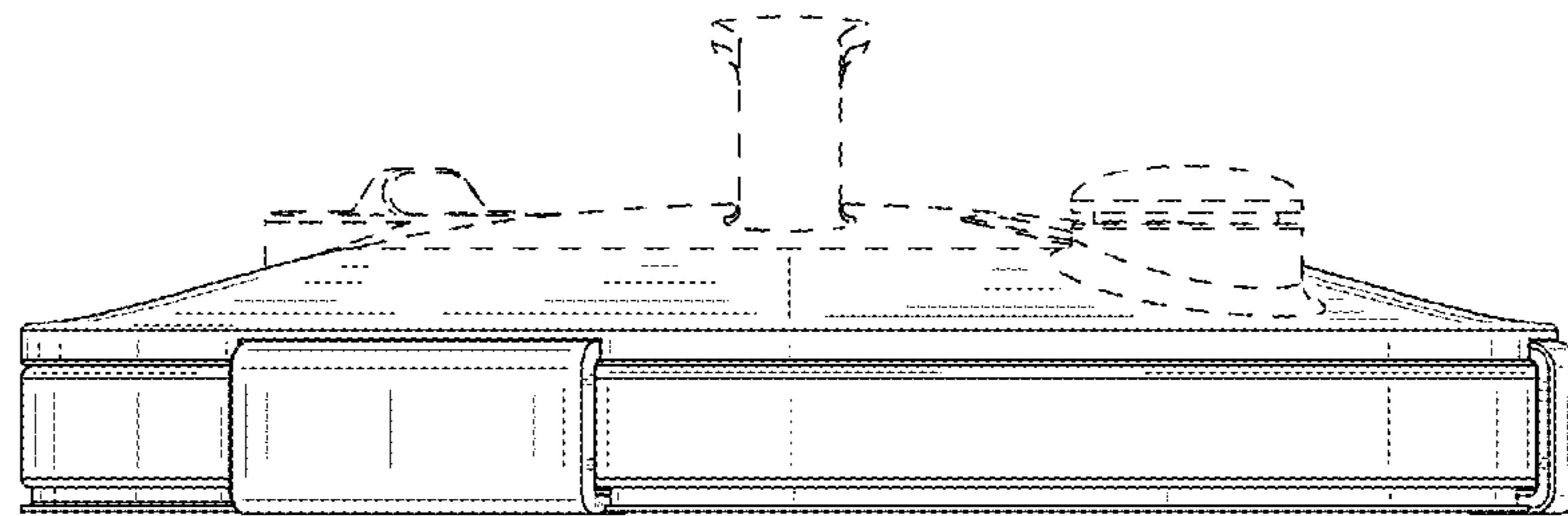
**FIG. 3**



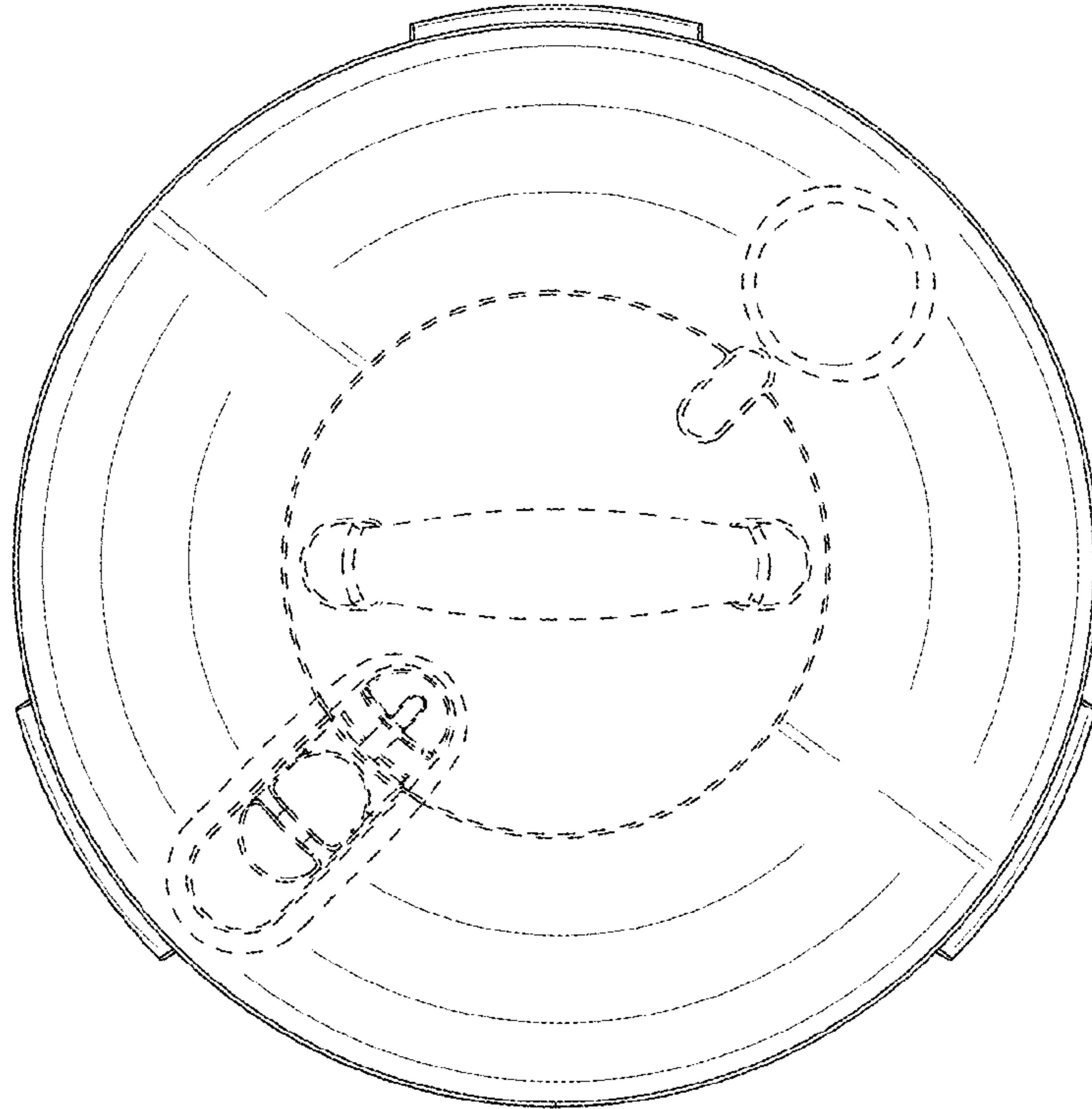
**FIG. 4**



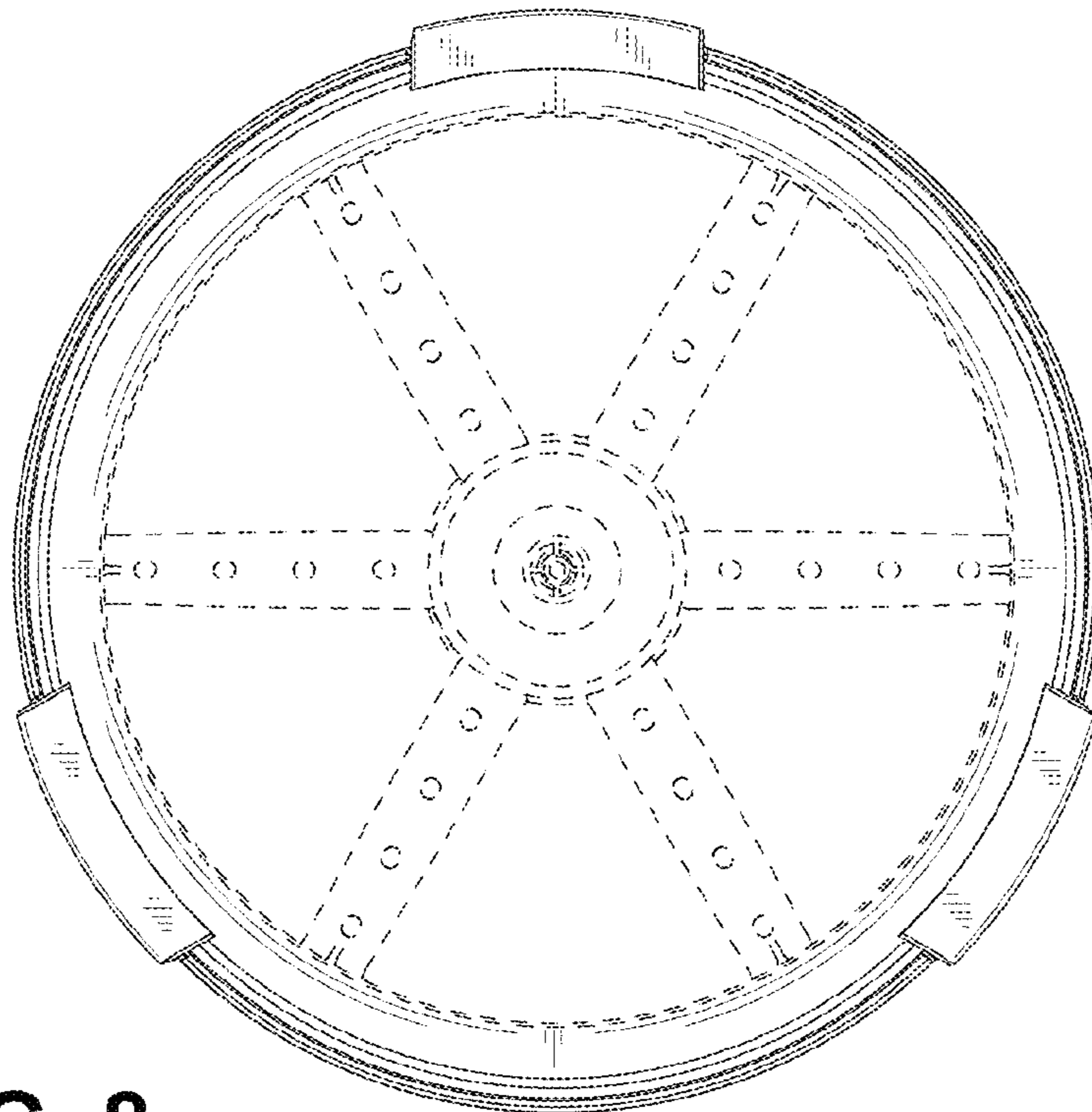
**FIG. 5**



**FIG. 6**



**FIG. 7**



**FIG. 8**