

US00D762409S

(12) **United States Design Patent**
Fisher

(10) **Patent No.:** **US D762,409 S**

(45) **Date of Patent:** **** Aug. 2, 2016**

(54) **GRILLING APPARATUS**

(71) Applicant: **Brand Developers Ltd.**, Auckland (NZ)

(72) Inventor: **James John Fisher**, Auckland (NZ)

(73) Assignee: **Brand Developers Ltd.**, Auckland (NZ)

(**) Term: **14 Years**

(21) Appl. No.: **29/500,456**

(22) Filed: **Aug. 25, 2014**

(30) **Foreign Application Priority Data**

Feb. 26, 2014 (AU) 10859/2014

(51) **LOC (10) Cl.** **07-02**

(52) **U.S. Cl.**

USPC **D7/337**

(58) **Field of Classification Search**

USPC D7/332, 334–337, 402–405, 417, 338,
D7/348; 126/275 E; D9/433

CPC A47J 37/0704; A47J 37/0763; A47J
37/0745; A47J 37/0713; A47J 37/0768;
A47J 37/079; A47J 36/26; A47J 39/00;
F24B 1/205; F24B 1/02; F24B 15/04; F24C
3/14; F24C 3/027; F24C 15/08; F47J 33/00;
B65D 7/26; B65D 7/24; B65D 85/1045;
B65D 85/18; A23B 4/052

See application file for complete search history.

(56) **References Cited**

U.S. PATENT DOCUMENTS

D185,280	S	*	9/1959	Greenblat	D7/337
3,051,159	A	*	8/1962	Hardy	A47J 33/00 126/25 A
D221,816	S	*	9/1971	Bryan	D7/337
D229,277	S	*	11/1973	Ming-Kong	D7/337
D258,713	S	*	3/1981	Harper	D23/420
D287,091	S	*	12/1986	Elliston	D7/337
D448,604	S	*	10/2001	Cho	D7/337
D570,642	S	*	6/2008	Svartstrom	D7/337
D685,601	S	*	7/2013	Morabito	D7/337
D730,104	S	*	5/2015	Stredney	D7/337
2010/0252020	A1	*	10/2010	Siow	F24C 3/126 126/25 R
2014/0261379	A1	*	9/2014	Mehler	A47J 33/00 126/25 R

* cited by examiner

Primary Examiner — Ruth McInroy

(74) *Attorney, Agent, or Firm* — Jonathan A. Kidney;
TechLaw LLP

(57) **CLAIM**

The ornamental design for a grilling apparatus, as shown and described.

DESCRIPTION

FIG. 1 is a top, front perspective view of a grilling apparatus showing my new design;

FIG. 2 is a top view thereof;

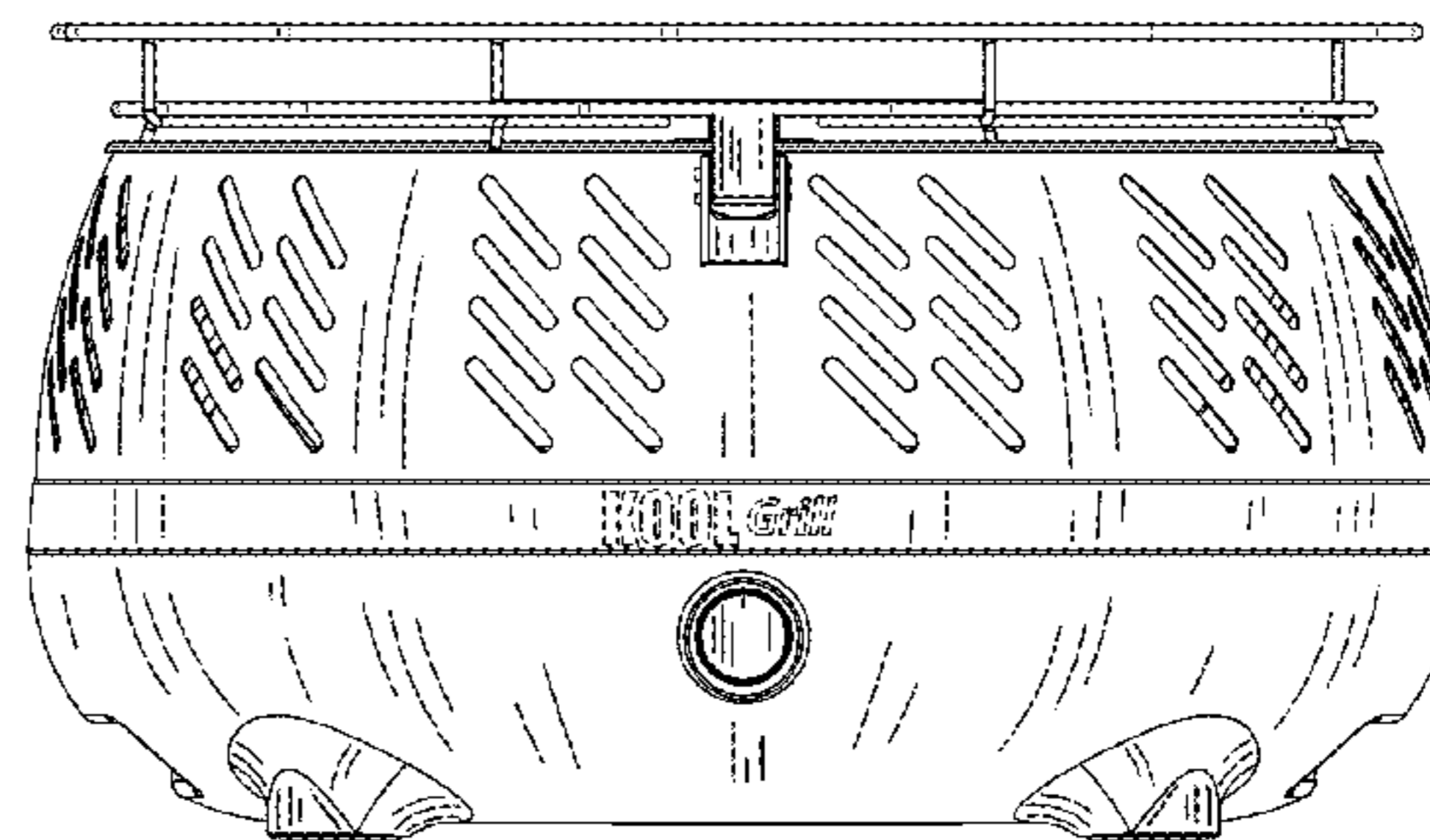
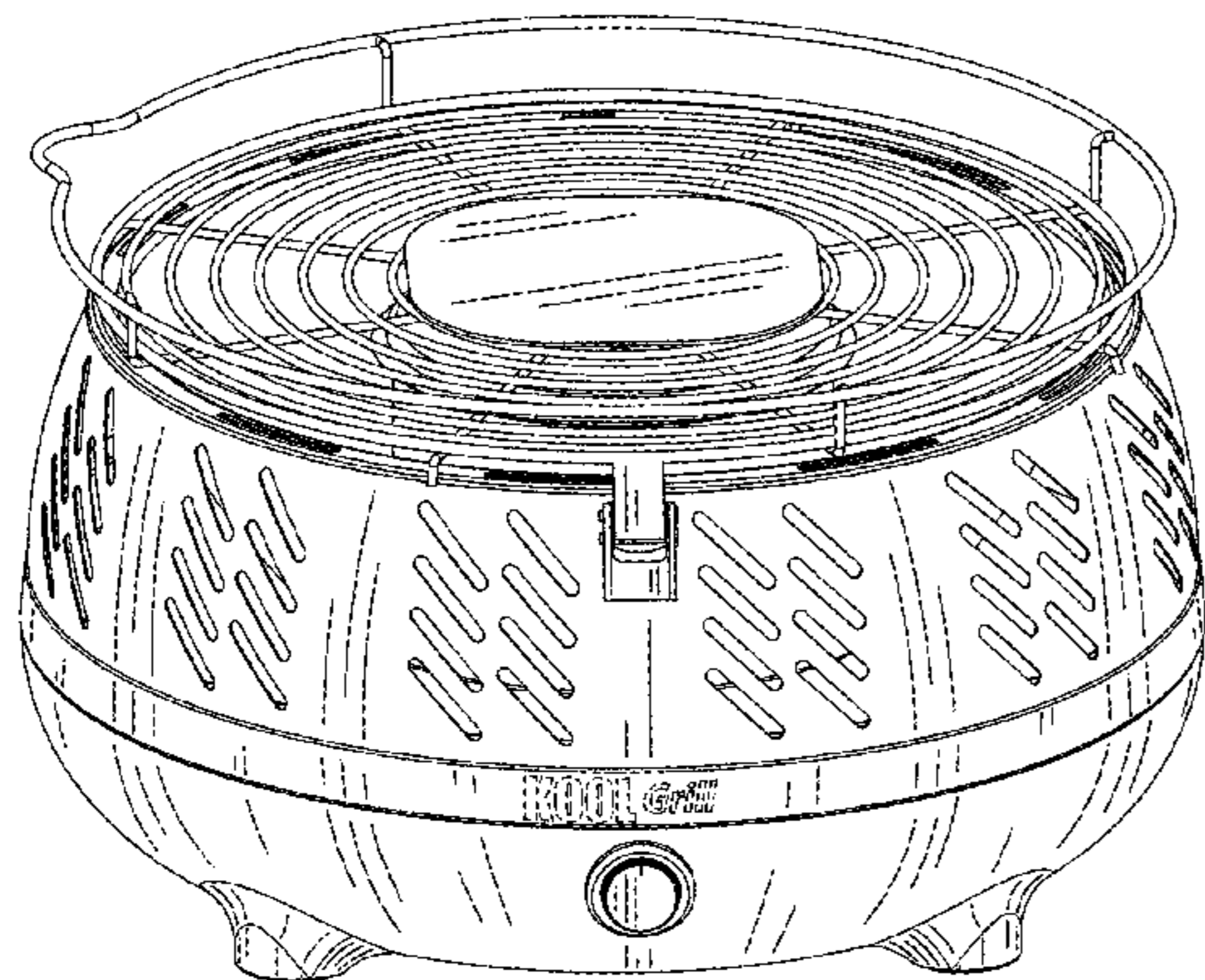
FIG. 3 is a front view thereof;

FIG. 4 is a left side view thereof; and,

FIG. 5 is a rear side view thereof.

The broken lines in the drawings depict environmental subject matter only and form no part of the claimed design.

1 Claim, 5 Drawing Sheets



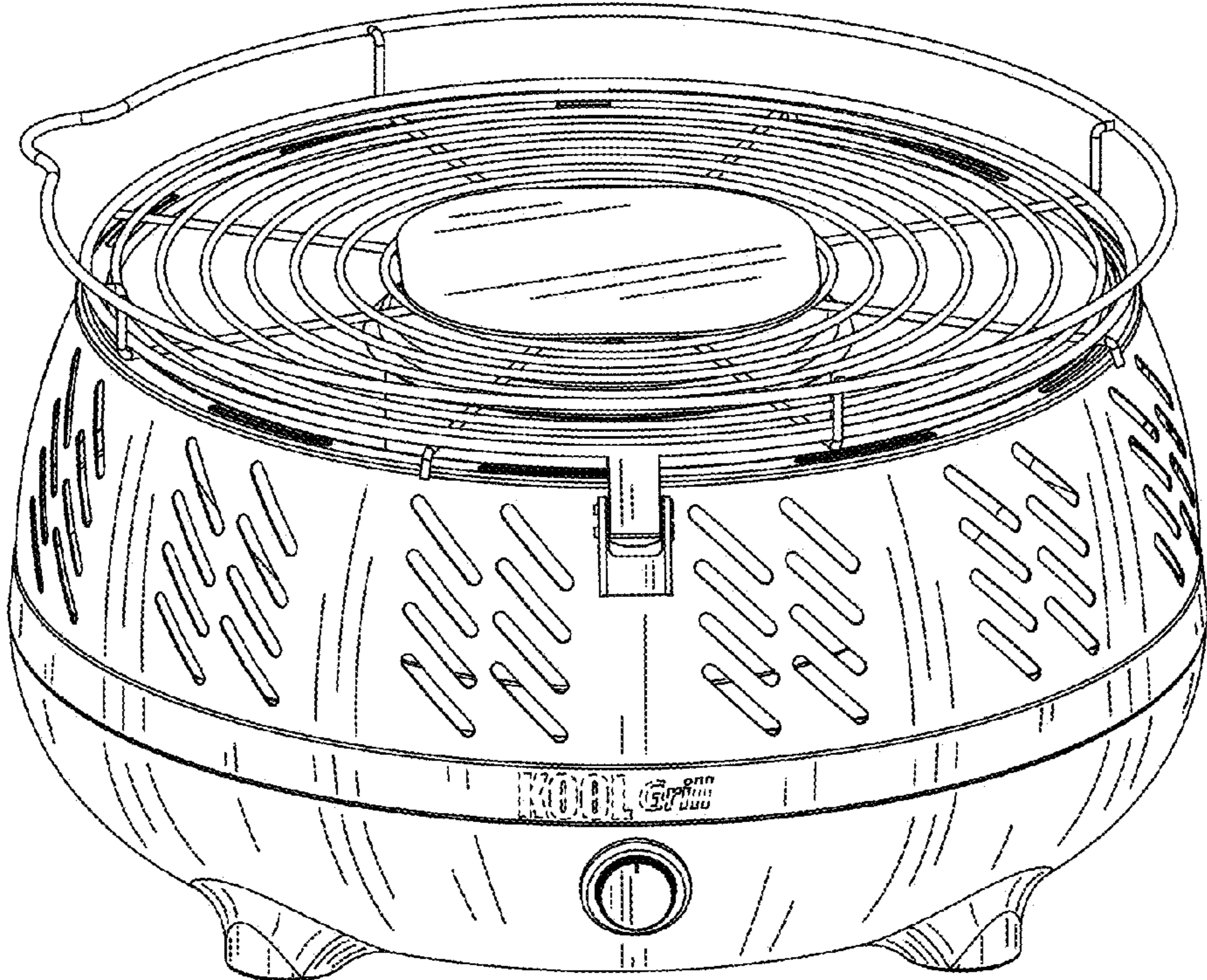


FIG. 1

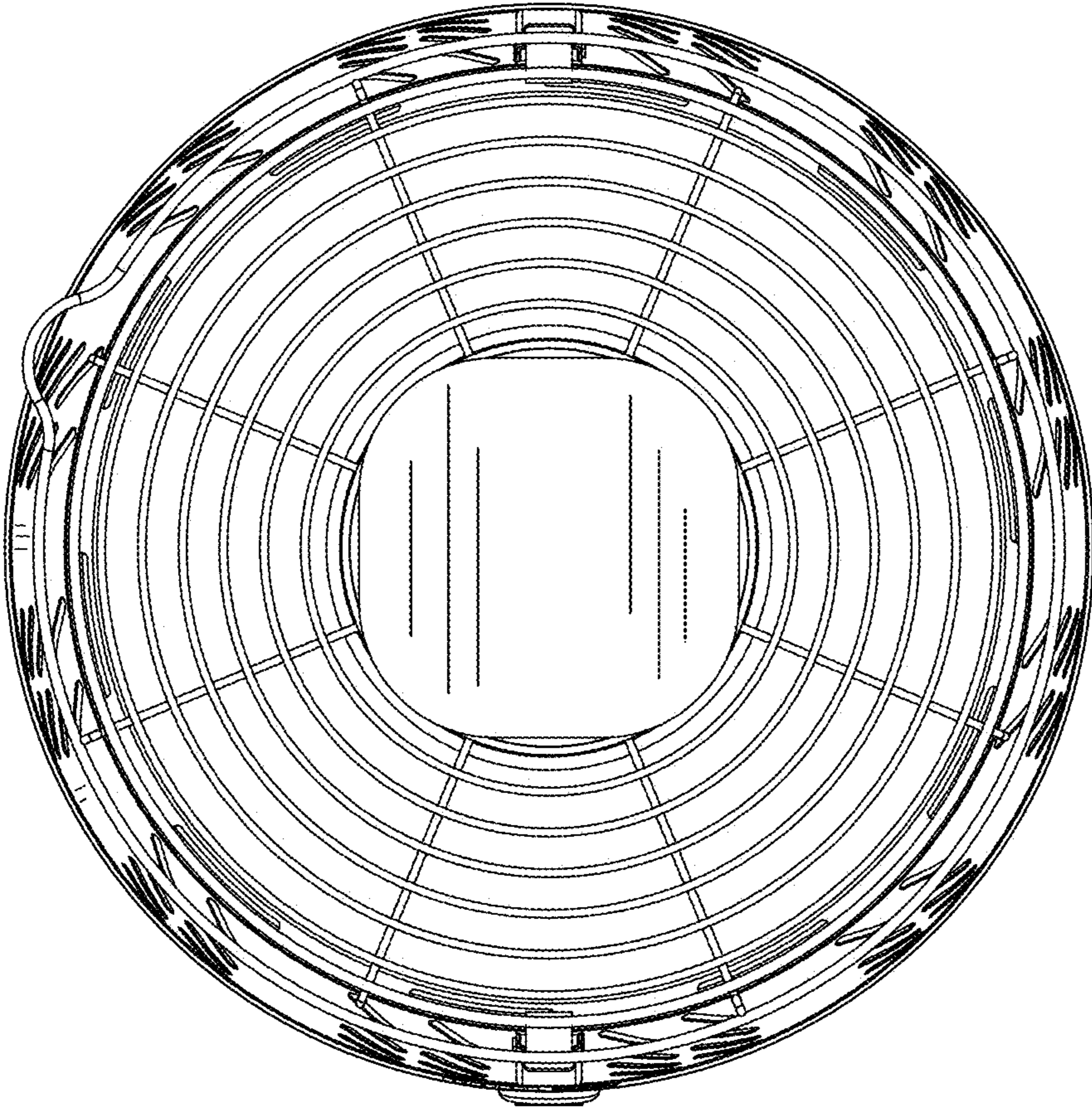


FIG. 2

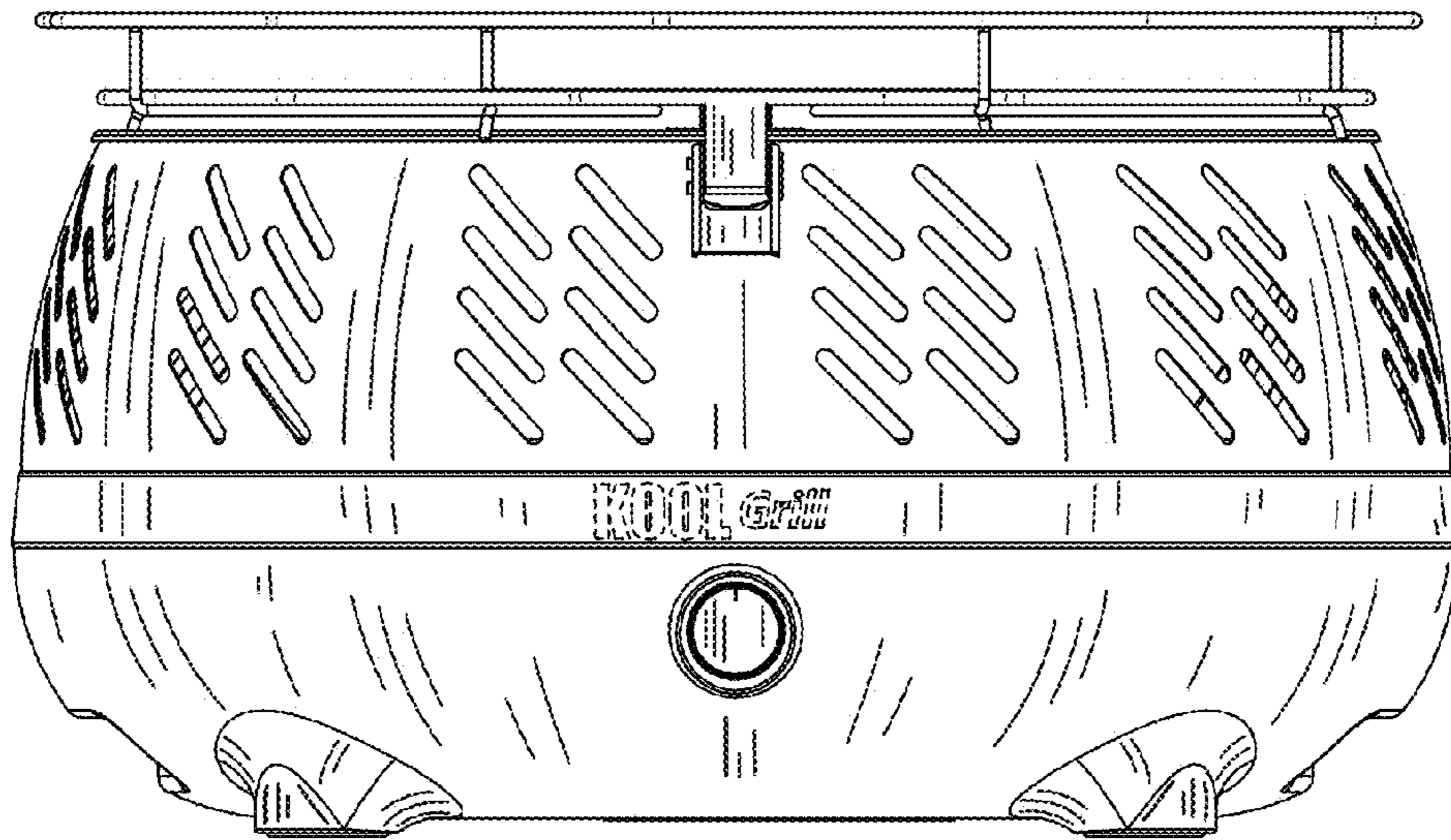


FIG. 3

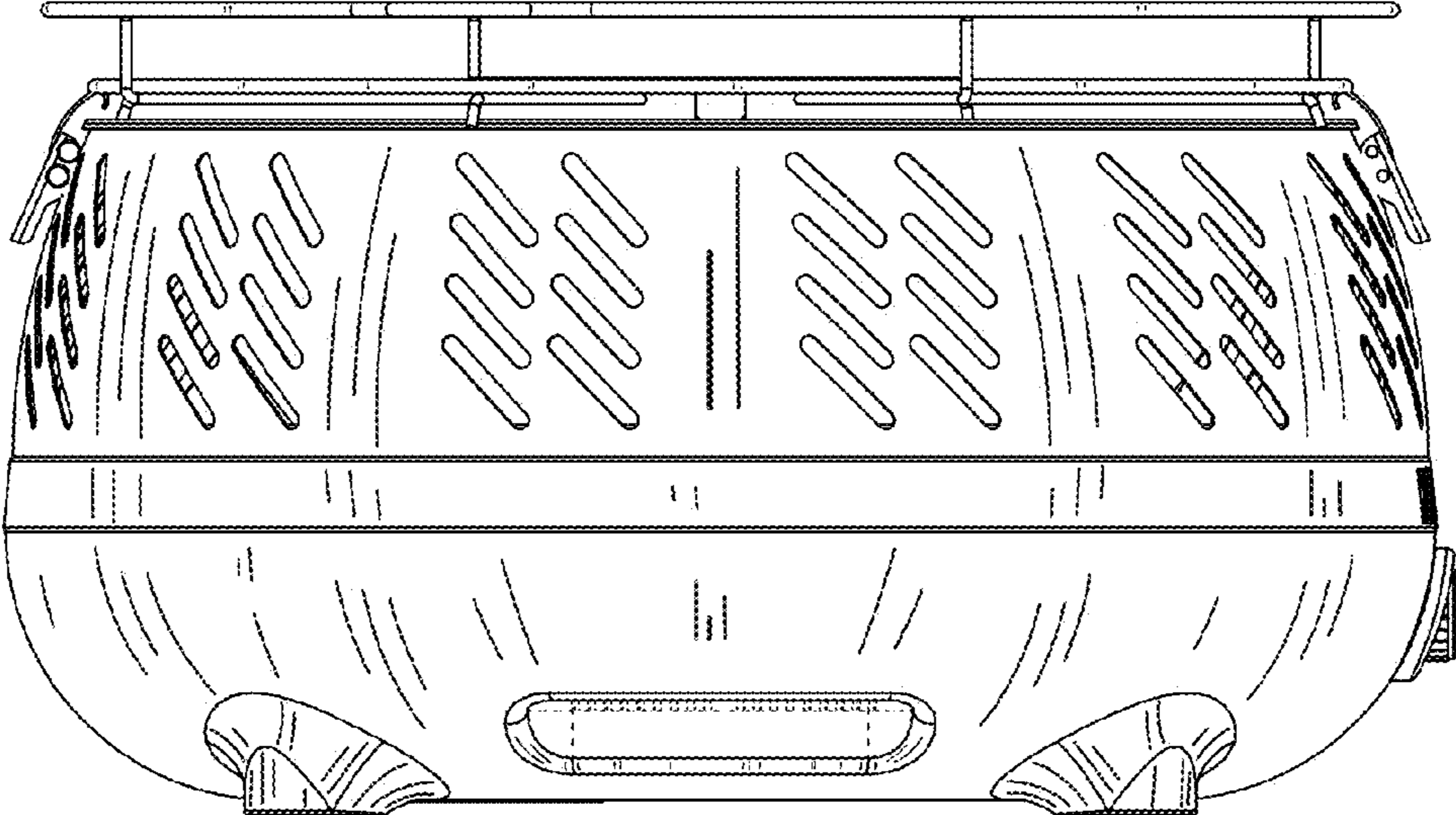


FIG. 4

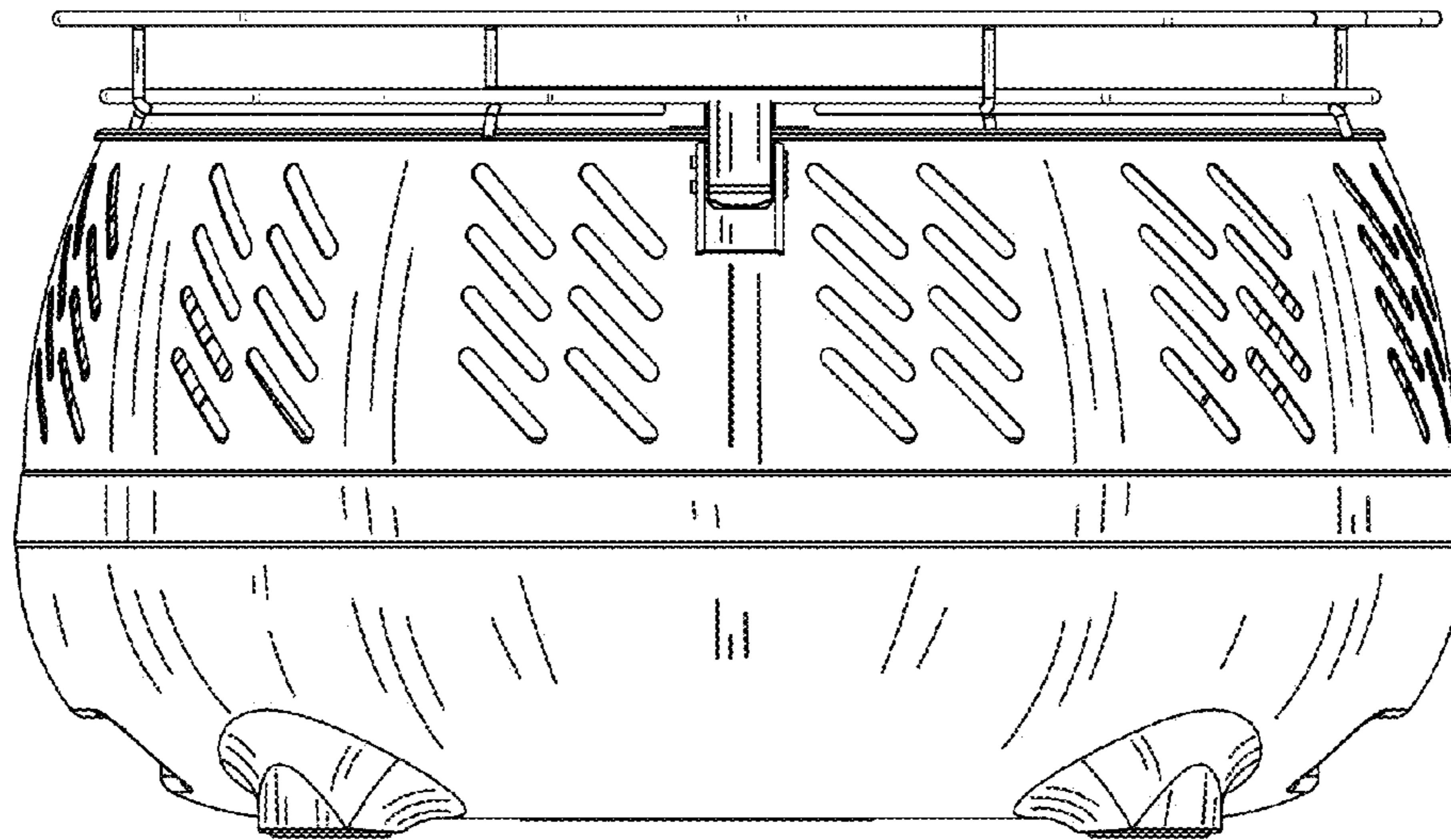


FIG. 5