



US00D762408S

(12) **United States Design Patent**
Palazzi

(10) **Patent No.:** **US D762,408 S**

(45) **Date of Patent:** **** Aug. 2, 2016**

(54) **STRAW**
(71) Applicant: **Unistraw Holdings Pte. Ltd.**
(72) Inventor: **Kendall Norman Palazzi, Queensland (AU)**
(73) Assignee: **UNISTRRAW HOLDINGS PTE. LTD., Singapore (SG)**
(**) Term: **15 Years**
(21) Appl. No.: **29/531,700**
(22) Filed: **Jun. 29, 2015**

6,905,596 B2 * 6/2005 Chu C02F 1/002
210/222
D574,951 S * 8/2008 Reusch D24/108
D674,649 S * 1/2013 Ludwig D7/300.2
D715,083 S * 10/2014 Miracle D7/300.2
D747,465 S * 1/2016 Homsy D24/112
2007/0034708 A1 * 2/2007 Pearson A47G 21/18
239/33
2008/0179423 A1 * 7/2008 Cho A47G 21/182
239/33
2008/0197141 A1 * 8/2008 Felfoldi A47G 21/183
220/705
2010/0155500 A1 * 6/2010 Zaccheo C02F 1/002
239/33
2014/0087328 A1 * 3/2014 Ronto A61C 17/043
433/91
2014/0339819 A1 * 11/2014 Baker F16L 27/12
285/298

(30) **Foreign Application Priority Data**
Jan. 9, 2015 (GB) 4038900
(51) **LOC (10) Cl.** **07-06**
(52) **U.S. Cl.**
USPC **D7/300.2**
(58) **Field of Classification Search**
USPC D7/300.2, 301, 305, 376, 682, 692;
D9/436, 716, 717; D24/108, 110, 112,
D24/116; 30/141; 215/229, 388, 389;
239/16, 17, 24, 33; 604/35; 433/91, 96
CPC ... A47G 21/18; A47G 21/182; A47G 21/186;
A47J 43/281
See application file for complete search history.

* cited by examiner

Primary Examiner — Robert M Spear
Assistant Examiner — Kendra L Hamilton
(74) *Attorney, Agent, or Firm* — Casimir Jones, S.C.

(56) **References Cited**
U.S. PATENT DOCUMENTS
5,820,023 A * 10/1998 Kristensson B65D 77/28
239/33
6,606,990 B2 * 8/2003 Stapleton A61M 15/0018
128/200.14

(57) **CLAIM**
The ornamental design for a straw, as shown and described.

DESCRIPTION

FIG. 1 is a top view of a straw showing my new design;
FIG. 2 is a side view thereof;
FIG. 3 is an enlarged end view thereof;
FIG. 4 is a perspective view thereof; and,
FIG. 5 is an alternative perspective view thereof.

1 Claim, 5 Drawing Sheets

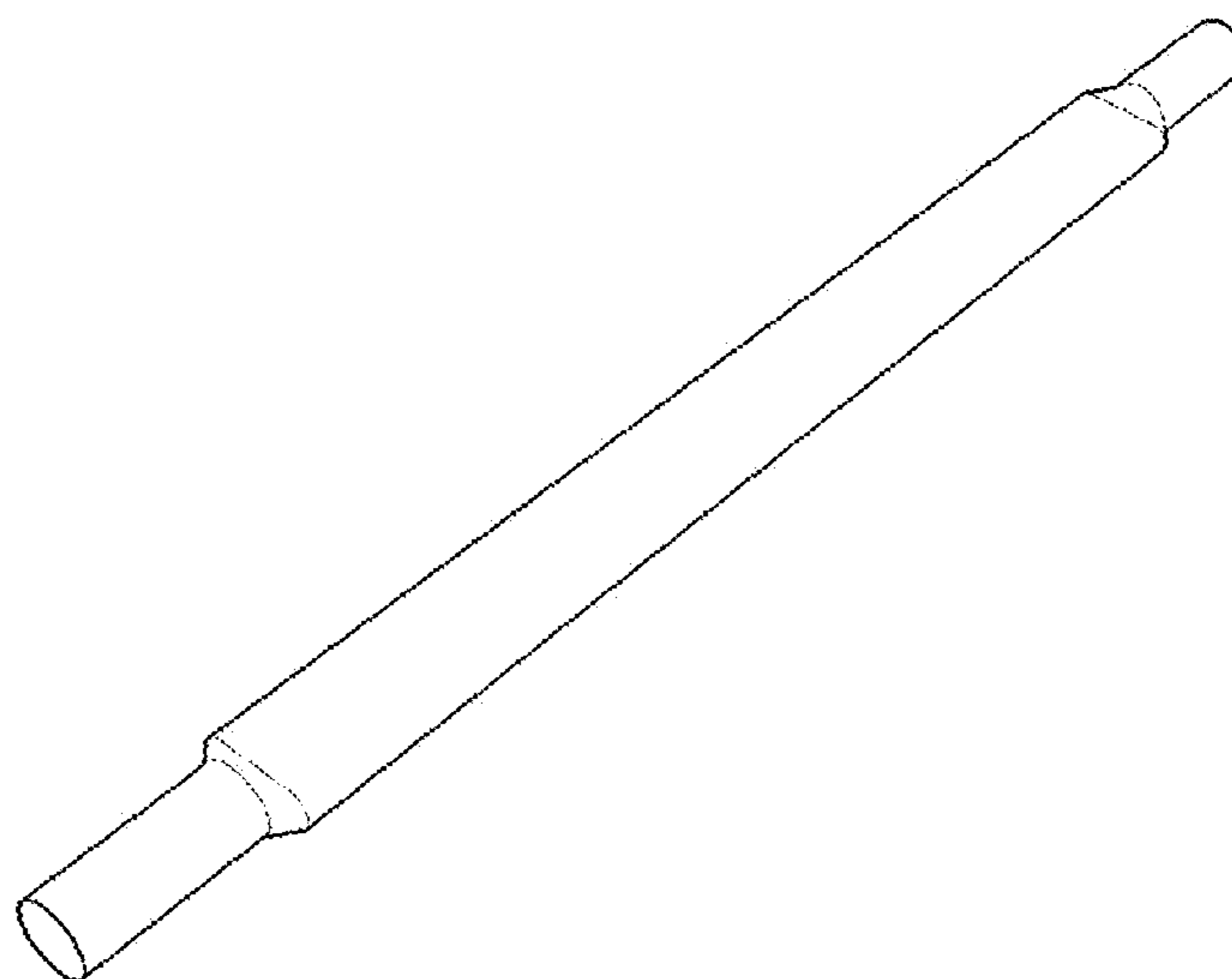




FIG. 1

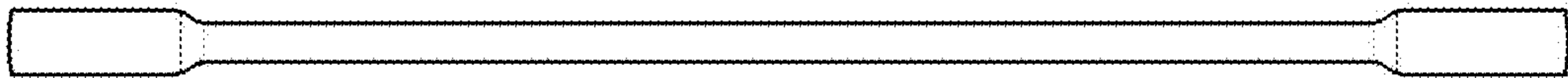


FIG. 2

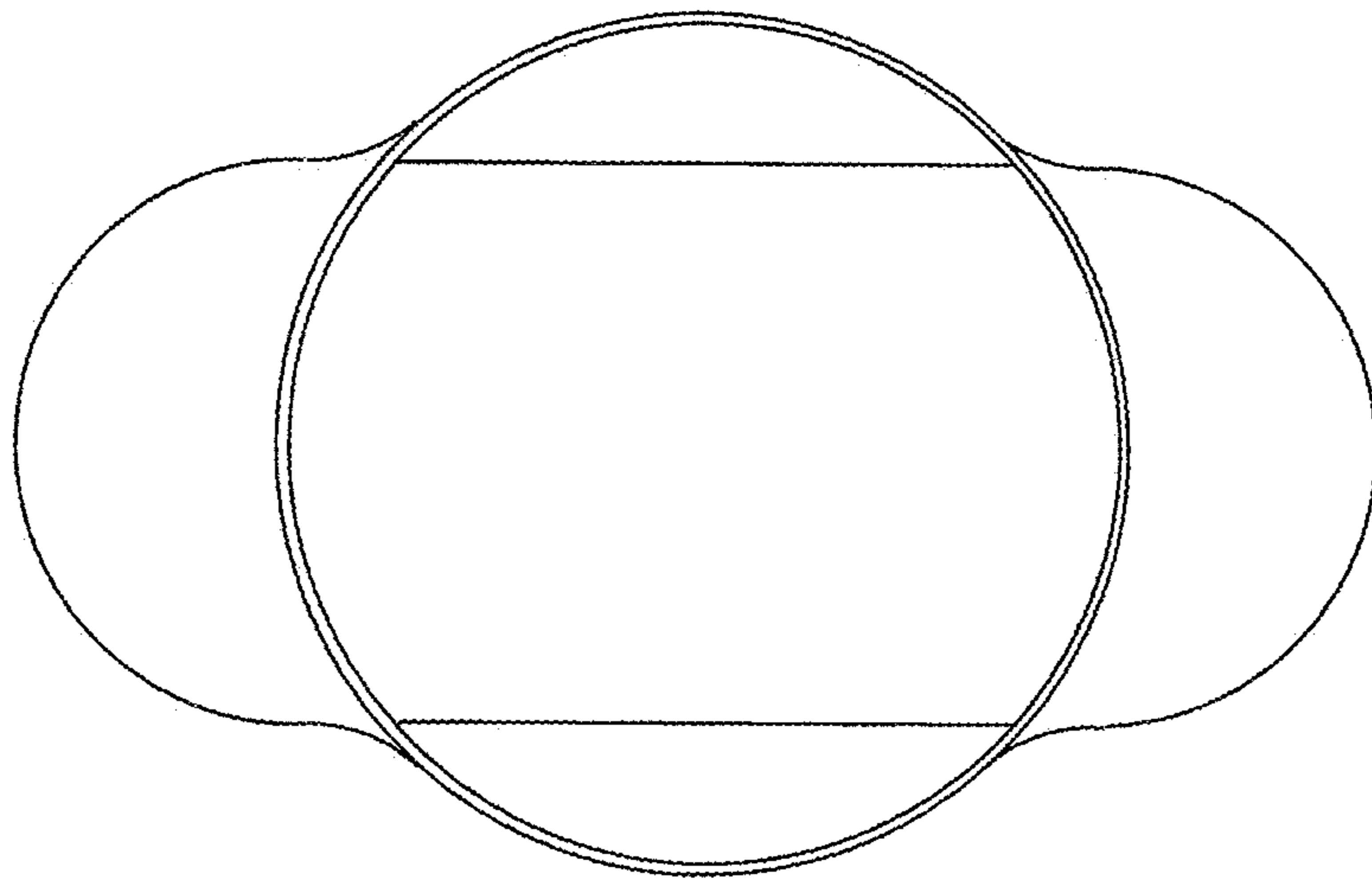


FIG. 3

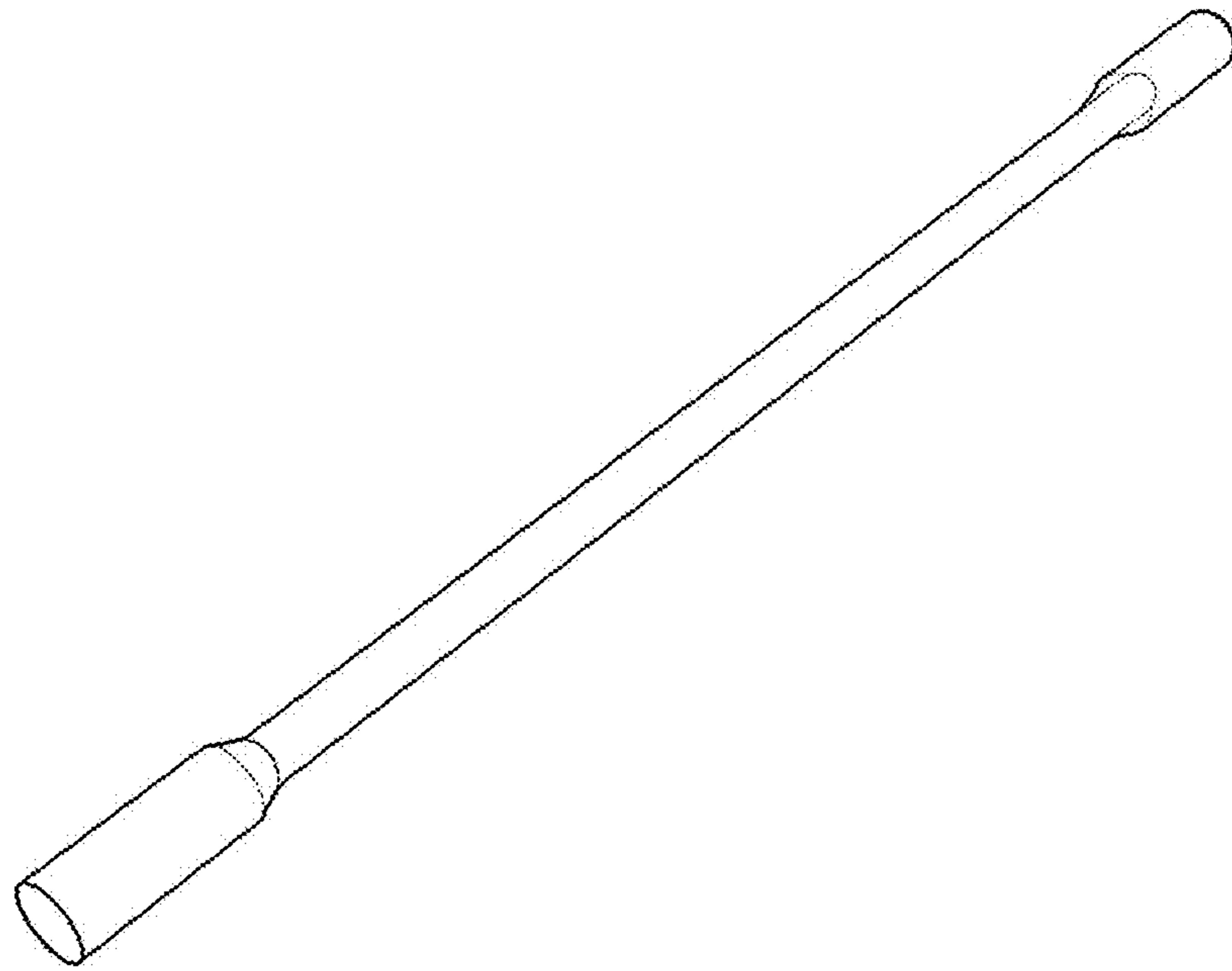


FIG. 4

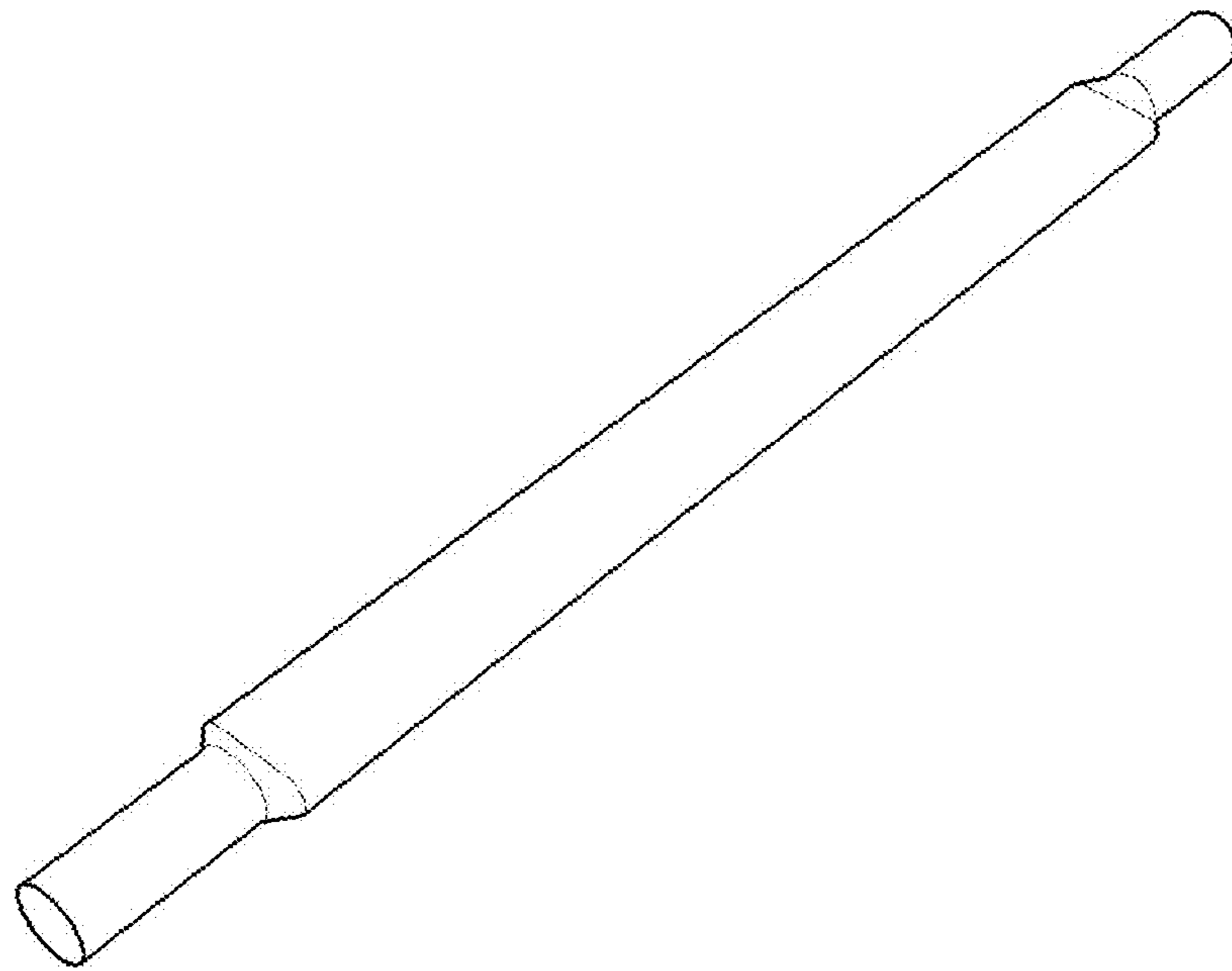


FIG. 5