



US00D762407S

(12) **United States Design Patent**
Kubryk

(10) **Patent No.:** **US D762,407 S**
(45) **Date of Patent:** **** Aug. 2, 2016**

- (54) **TASK CHAIR**
- (71) Applicant: **Isaac Kubryk**, Lockeford, CA (US)
- (72) Inventor: **Isaac Kubryk**, Lockeford, CA (US)
- (73) Assignee: **Global Allies, LLC**, Lockeford, CA (US)
- (**) Term: **15 Years**
- (21) Appl. No.: **29/528,449**
- (22) Filed: **May 28, 2015**
- (51) **LOC (10) Cl.** **06-01**
- (52) **U.S. Cl.**
USPC **D6/716**
- (58) **Field of Classification Search**
USPC D6/334–336, 364, 365, 366, 371–375,
D6/379, 380, 716, 716.1, 716.2, 716.4
CPC A47C 4/02; A47C 4/03; A47C 7/18;
A47C 3/12; A47C 5/12; A47C 7/54
See application file for complete search history.

D233,809 S *	12/1974	Platner	D6/366
D236,302 S *	8/1975	Prizlow	D6/366
D281,840 S *	12/1985	Ogg	D6/366
D288,388 S *	2/1987	Ochsner	D6/366
D603,177 S *	11/2009	Kubryk	D6/366
D660,054 S *	5/2012	Kane	D6/716
D660,055 S *	5/2012	Kane	D6/716
D664,381 S *	7/2012	Kubryk	D6/366
D683,171 S *	5/2013	Kubryk	D6/366
D729,563 S *	5/2015	Kubryk	D6/716
D730,098 S *	5/2015	Kubryk	D6/716
D730,099 S *	5/2015	Kubryk	D6/716

* cited by examiner

Primary Examiner — Mimosa De

(74) *Attorney, Agent, or Firm* — Audrey A. Millemann;
Weintraub Tobin

(57) **CLAIM**

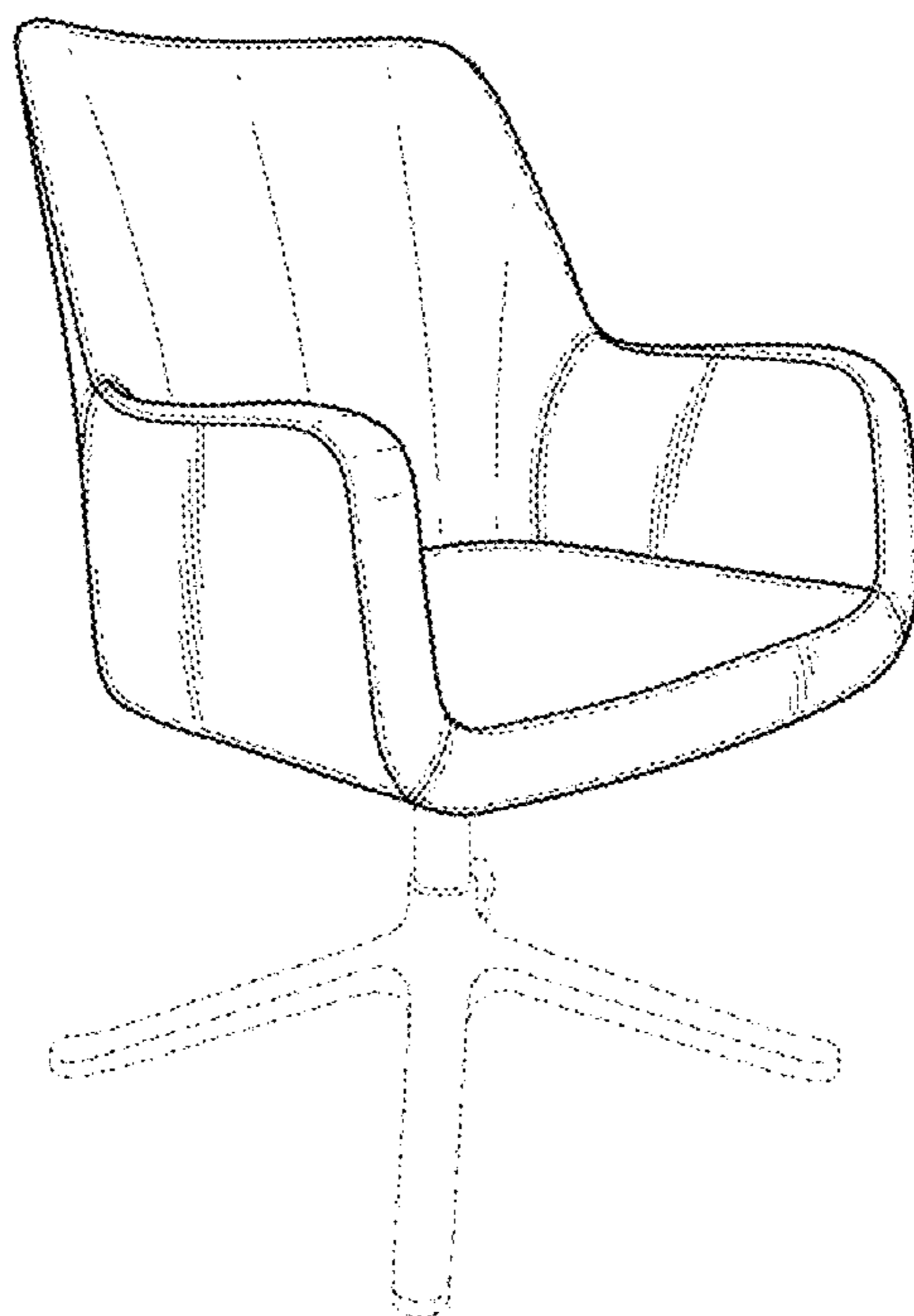
The ornamental design for a task chair, as shown and described.

DESCRIPTION

FIG. 1 is a perspective view of a task chair, looking toward the right front corner, showing my new design;
 FIG. 2 is a front view thereof;
 FIG. 3 is a right side view thereof;
 FIG. 4 is a back view thereof;
 FIG. 5 is a top view thereof; and,
 FIG. 6 is a bottom view thereof.
 The broken lines shown in the drawing are for illustrative purposes only and form no part of the claimed design.

1 Claim, 5 Drawing Sheets

- (56) **References Cited**
U.S. PATENT DOCUMENTS
- 3,408,106 A * 10/1968 Bolling A47C 5/12
297/452.14
- 3,521,929 A * 7/1970 Pearson A47C 3/12
297/452.14
- 3,564,700 A * 2/1971 Binek A47C 3/12
264/152
- 3,565,486 A * 2/1971 Channon A47C 3/12
297/440.1



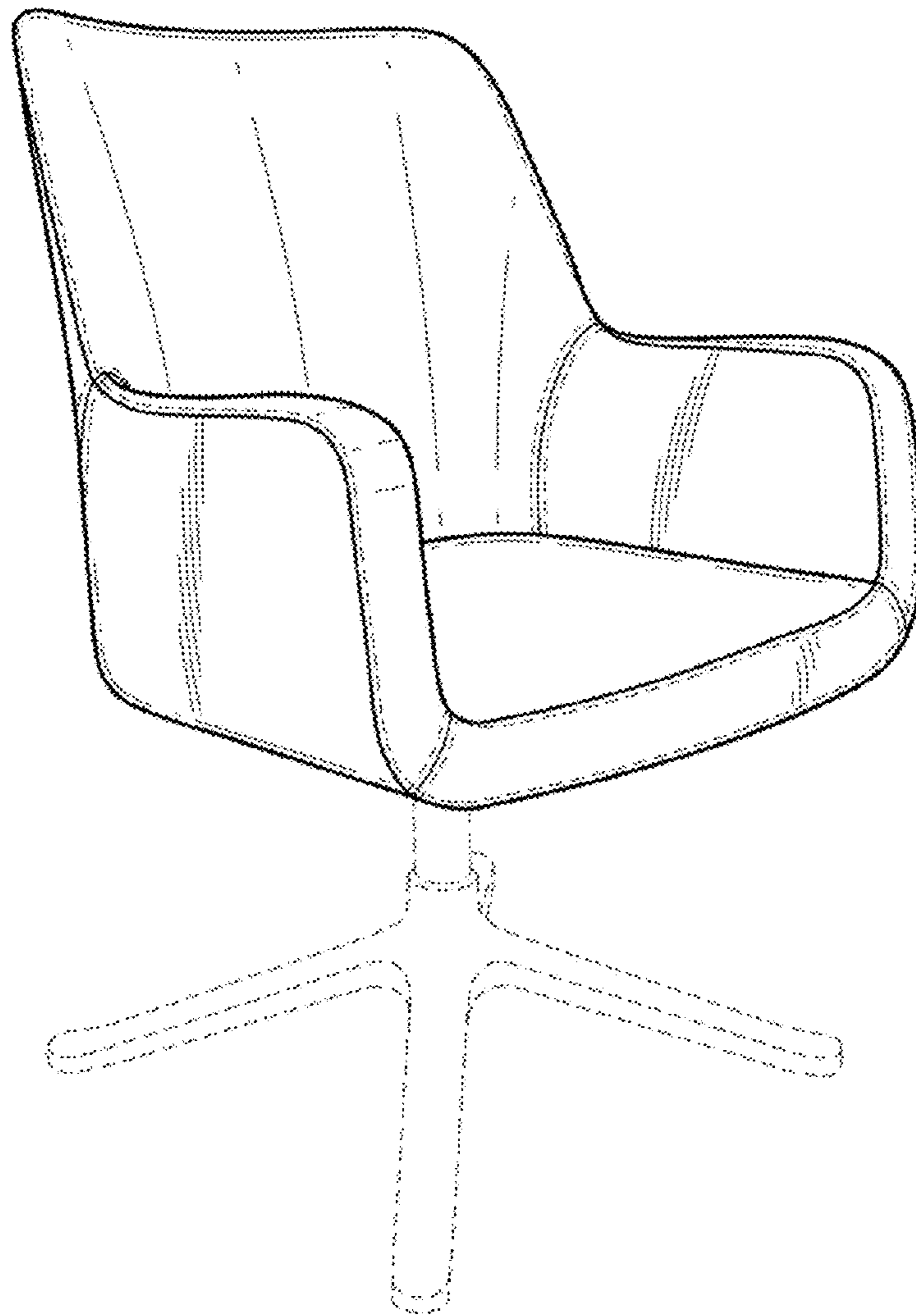


FIG. 1

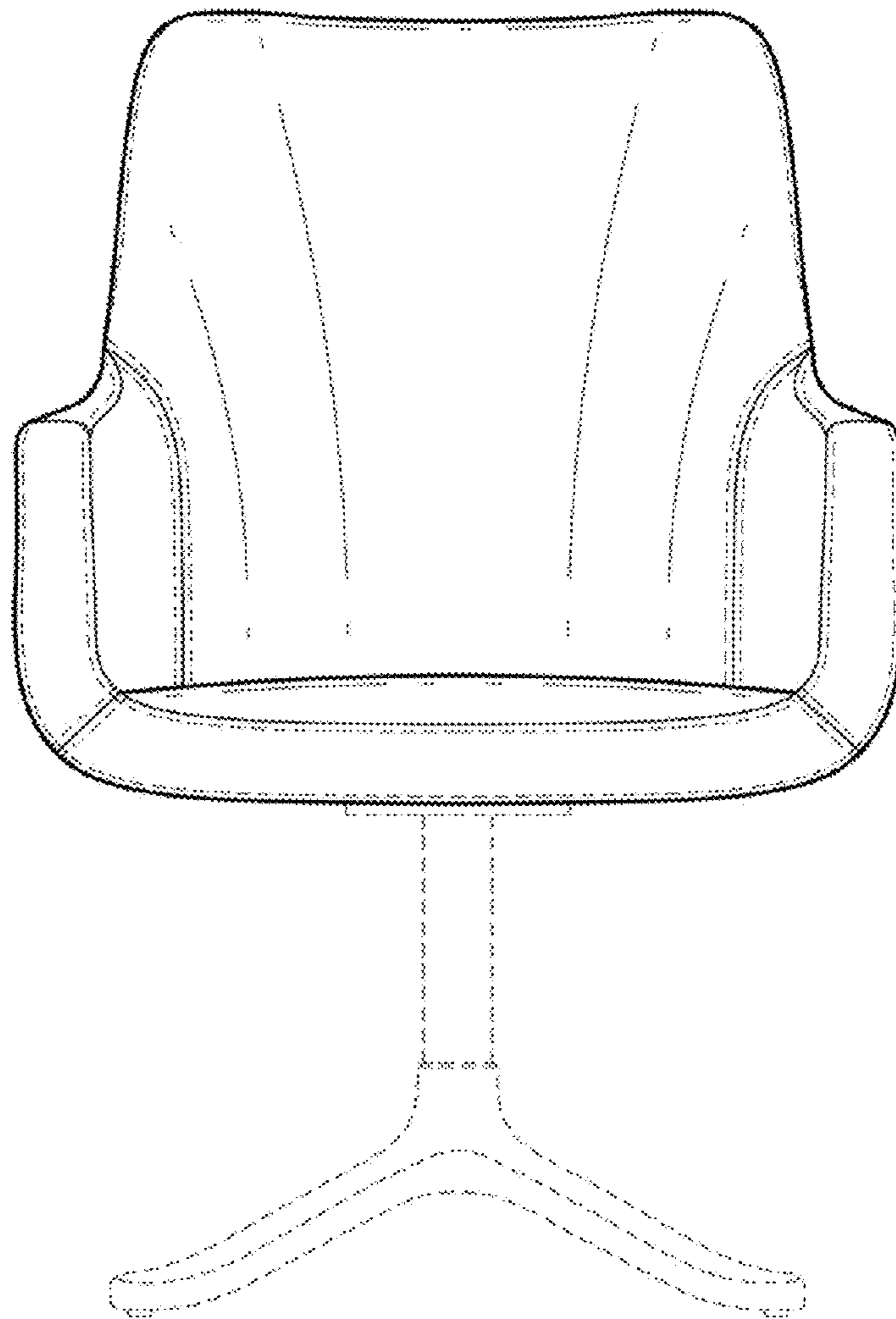


FIG. 2

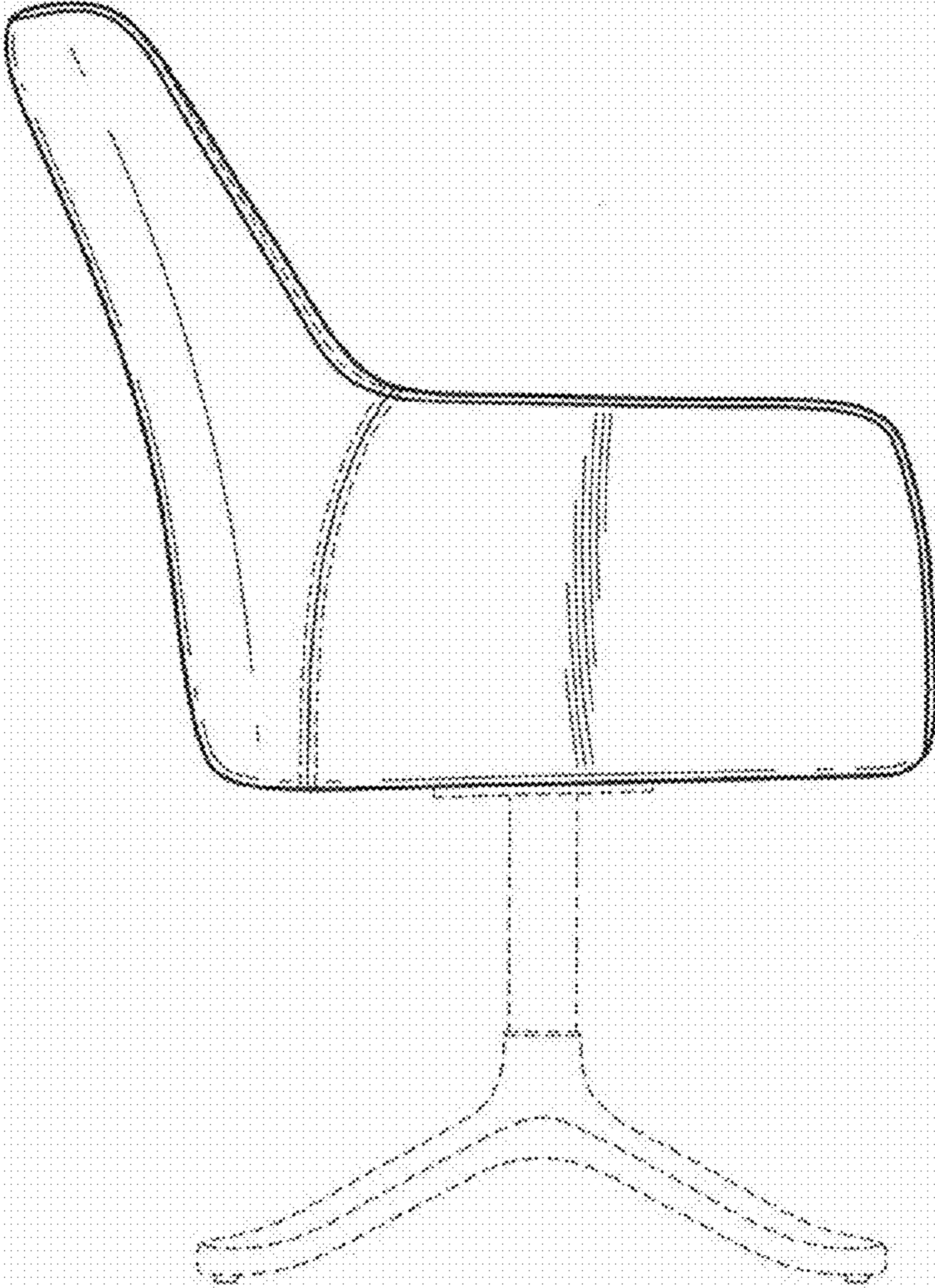


FIG. 3

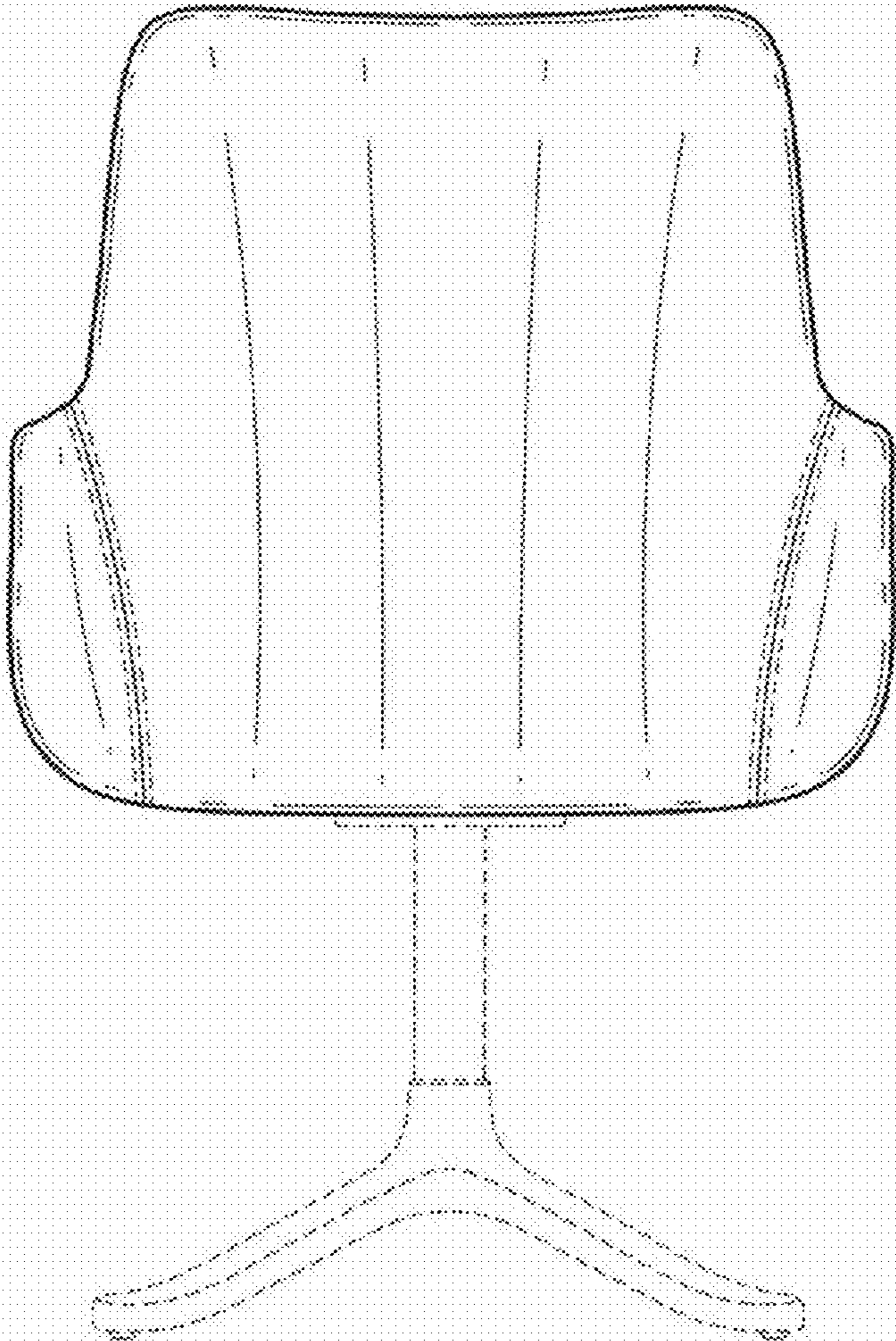


FIG. 4

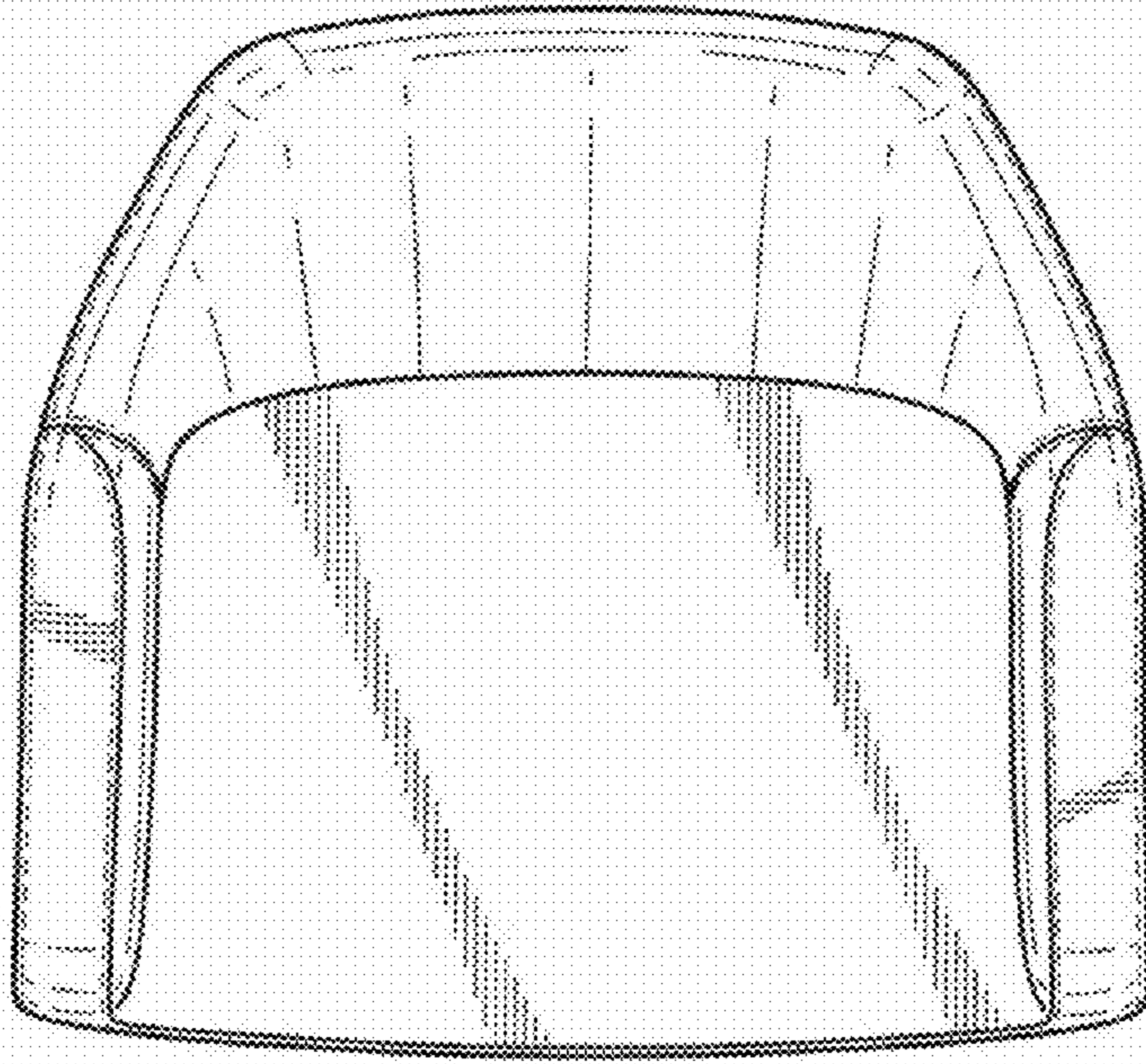


FIG. 5

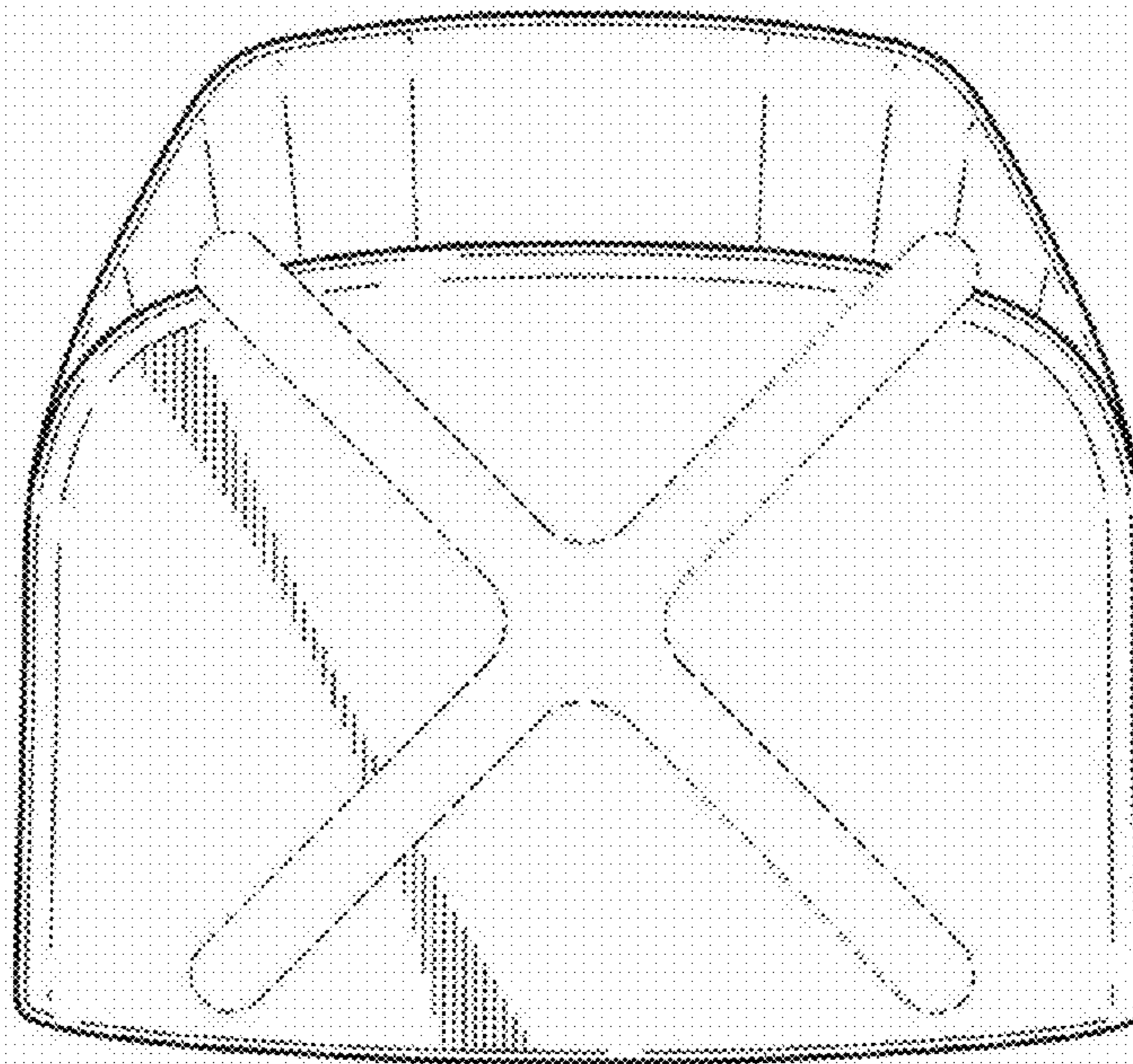


FIG. 6