

US00D762405S

(12) **United States Design Patent**
Werner

(10) **Patent No.:** **US D762,405 S**

(45) **Date of Patent:** **** *Aug. 2, 2016**

(54) **TABLE**

(71) Applicant: **Thomas J Werner**, Portland, OR (US)

(72) Inventor: **Thomas J Werner**, Portland, OR (US)

(*) Notice: This patent is subject to a terminal disclaimer.

(**) Term: **14 Years**

(21) Appl. No.: **29/475,644**

(22) Filed: **Dec. 4, 2013**

(51) **LOC (10) Cl.** **06-03**

(52) **U.S. Cl.**
USPC **D6/692; D6/690**

(58) **Field of Classification Search**
USPC D6/690, 692, 692.1, 693.3, 692.6,
D6/677.1, 692.4
CPC A47B 7/00; A47B 2021/11; A47B 13/00;
A47B 13/02; A47B 13/04
See application file for complete search history.

(56) **References Cited**

U.S. PATENT DOCUMENTS

D56,097 S * 8/1920 Faas D6/485
D195,469 S * 6/1963 Dunaway D6/415
D197,430 S * 2/1964 Smith D6/498

D203,450 S * 1/1966 Klein D6/489
D217,474 S * 5/1970 Craddock D6/485
D480,885 S * 10/2003 Martin D6/349
D552,892 S * 10/2007 Everson D6/488
D571,127 S * 6/2008 Cartwright D6/480

* cited by examiner

Primary Examiner — Janice Seeger

(74) *Attorney, Agent, or Firm* — Mohr Intellectual Property Law Solutions, PC

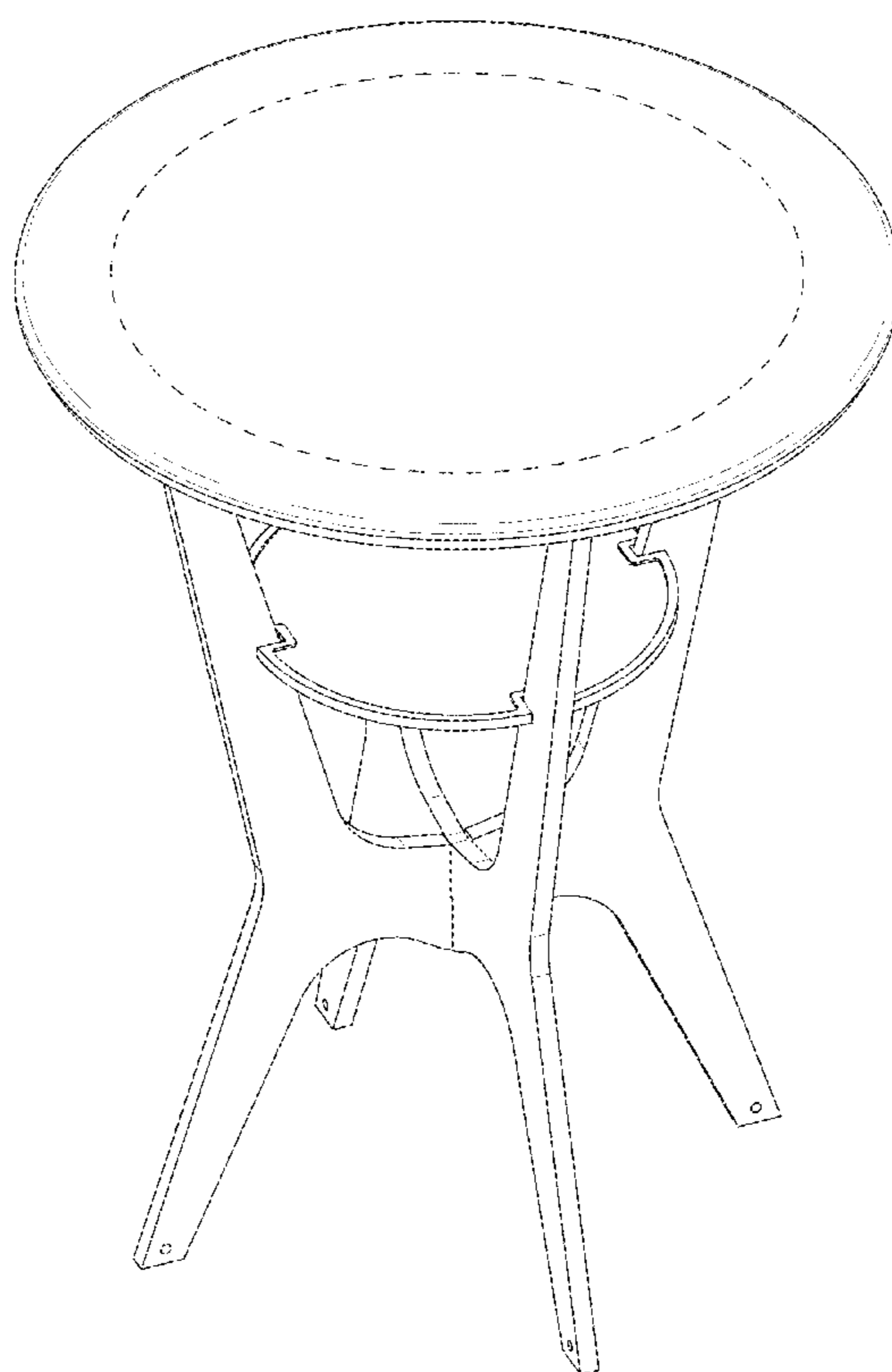
(57) **CLAIM**

I claim the ornamental design for a table, as shown and described.

DESCRIPTION

FIG. 1 is a perspective view of a table, showing my new design;
FIG. 2 is a front elevational view;
FIG. 3 is a side elevational view;
FIG. 4 is a rear elevational view;
FIG. 5 is a side elevational view opposite that shown in FIG. 3;
FIG. 6 is a top plan view; and,
FIG. 7 is a bottom plan view thereof.
The broken lines are for environmental purposes only and form no part of the claimed design.

1 Claim, 7 Drawing Sheets



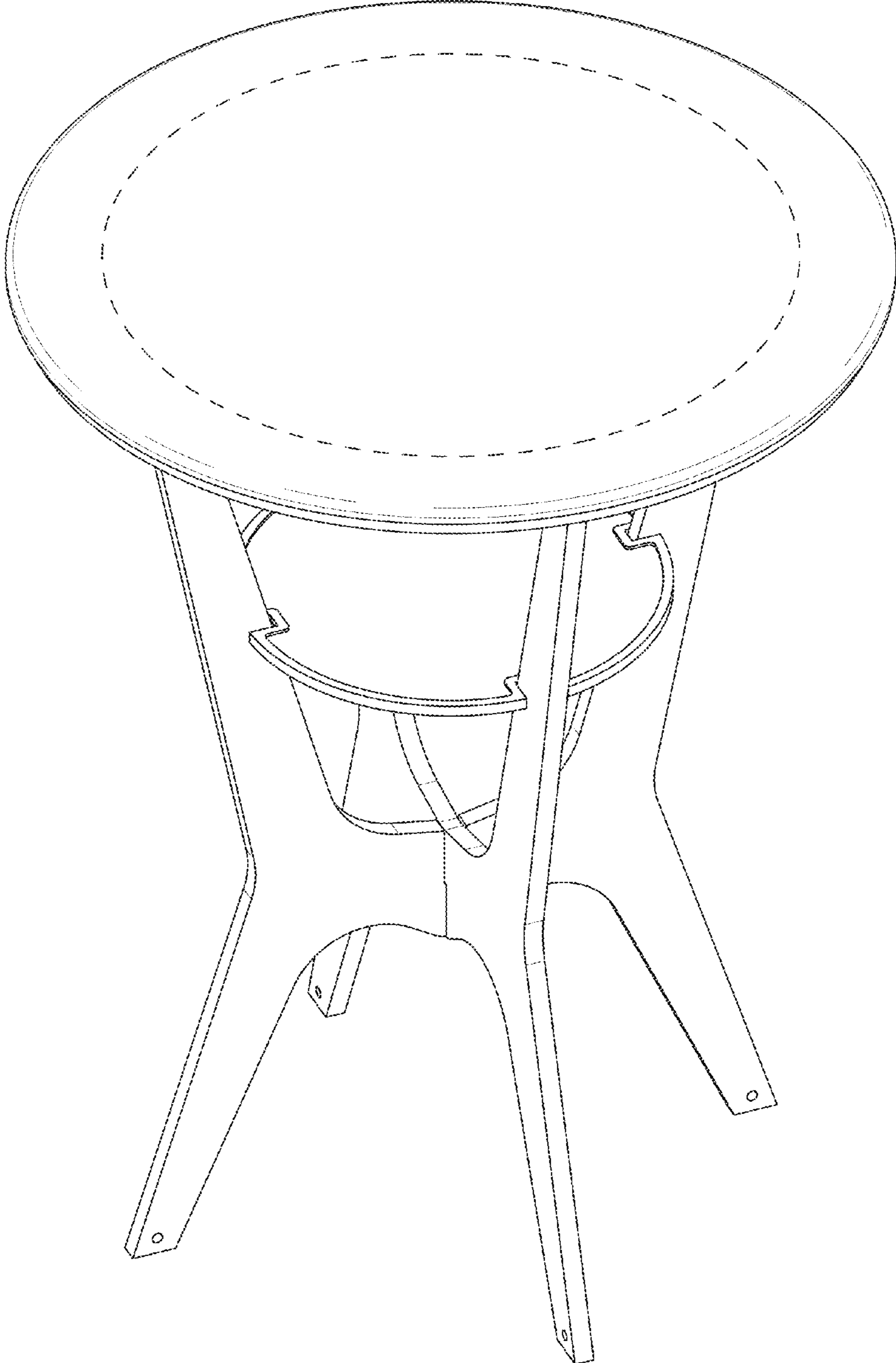


Fig. 1

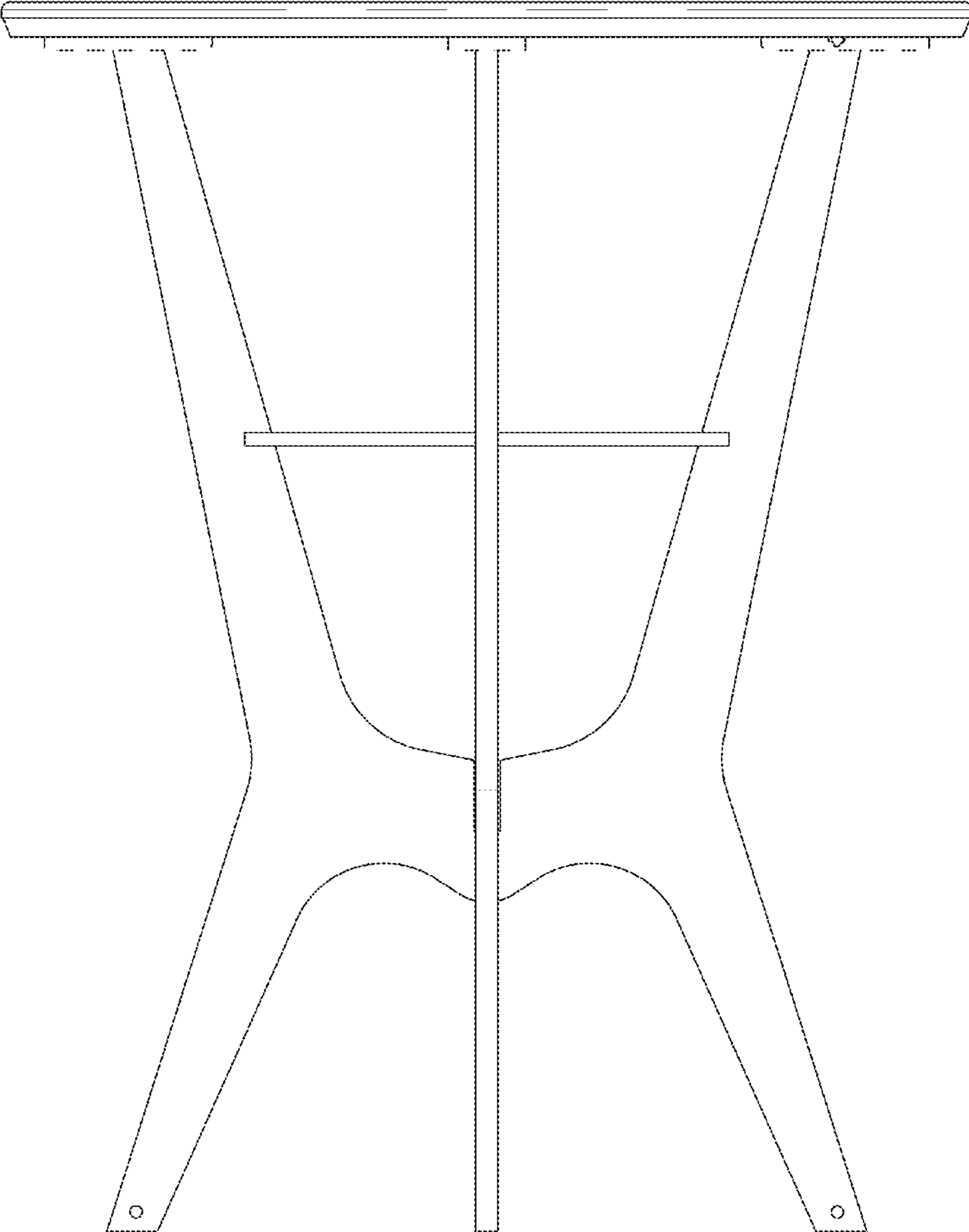


Fig. 2

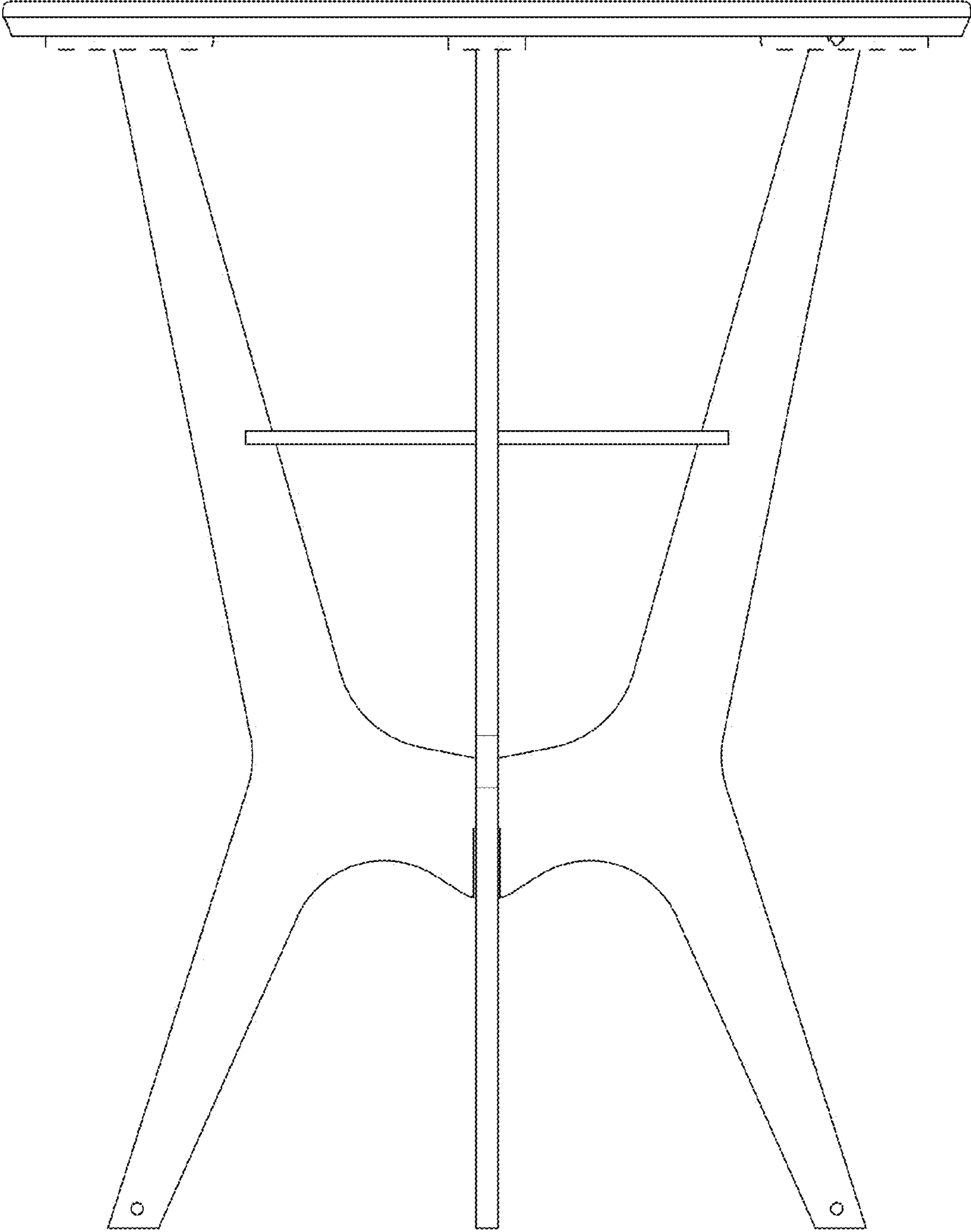


Fig. 3

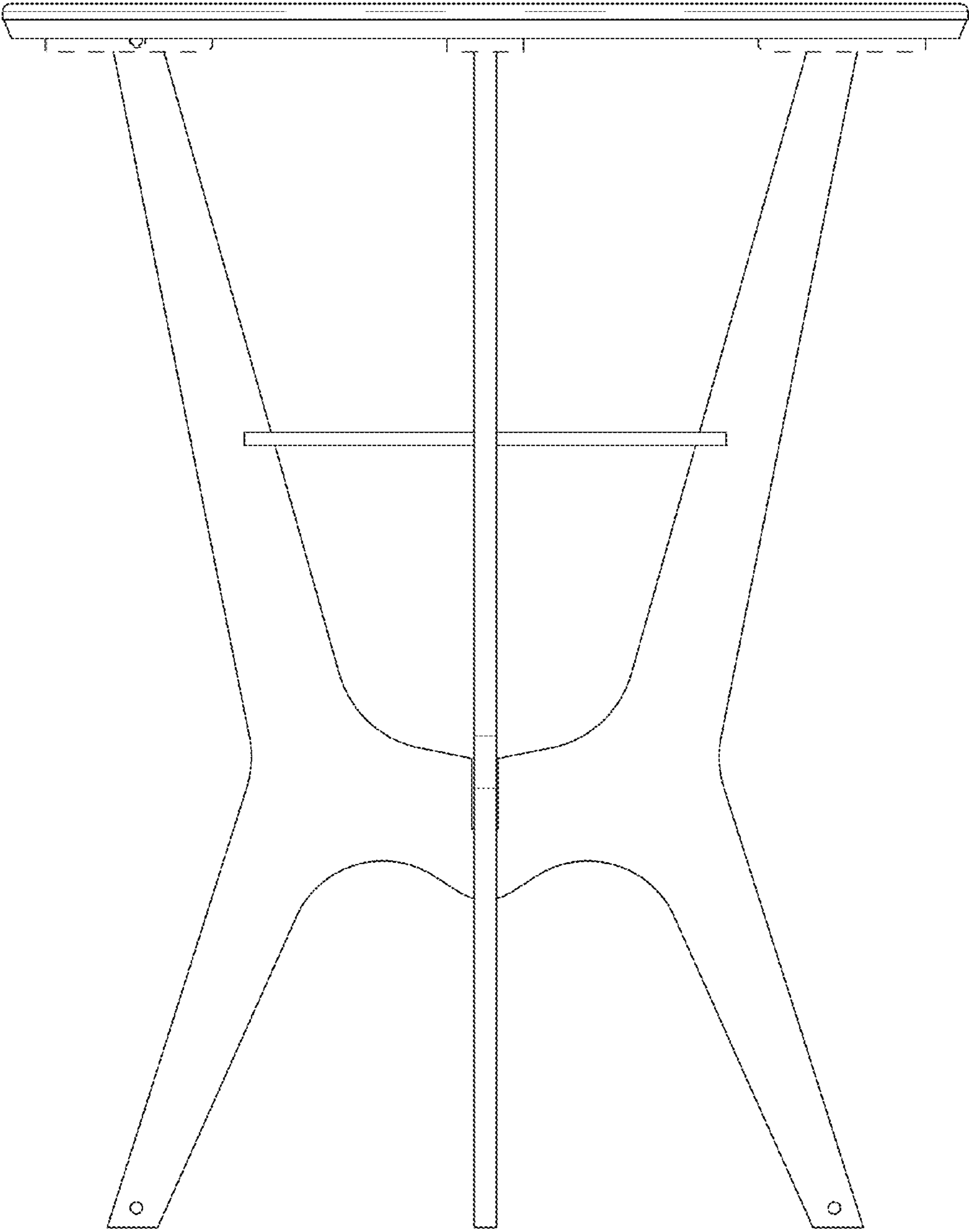


Fig. 4

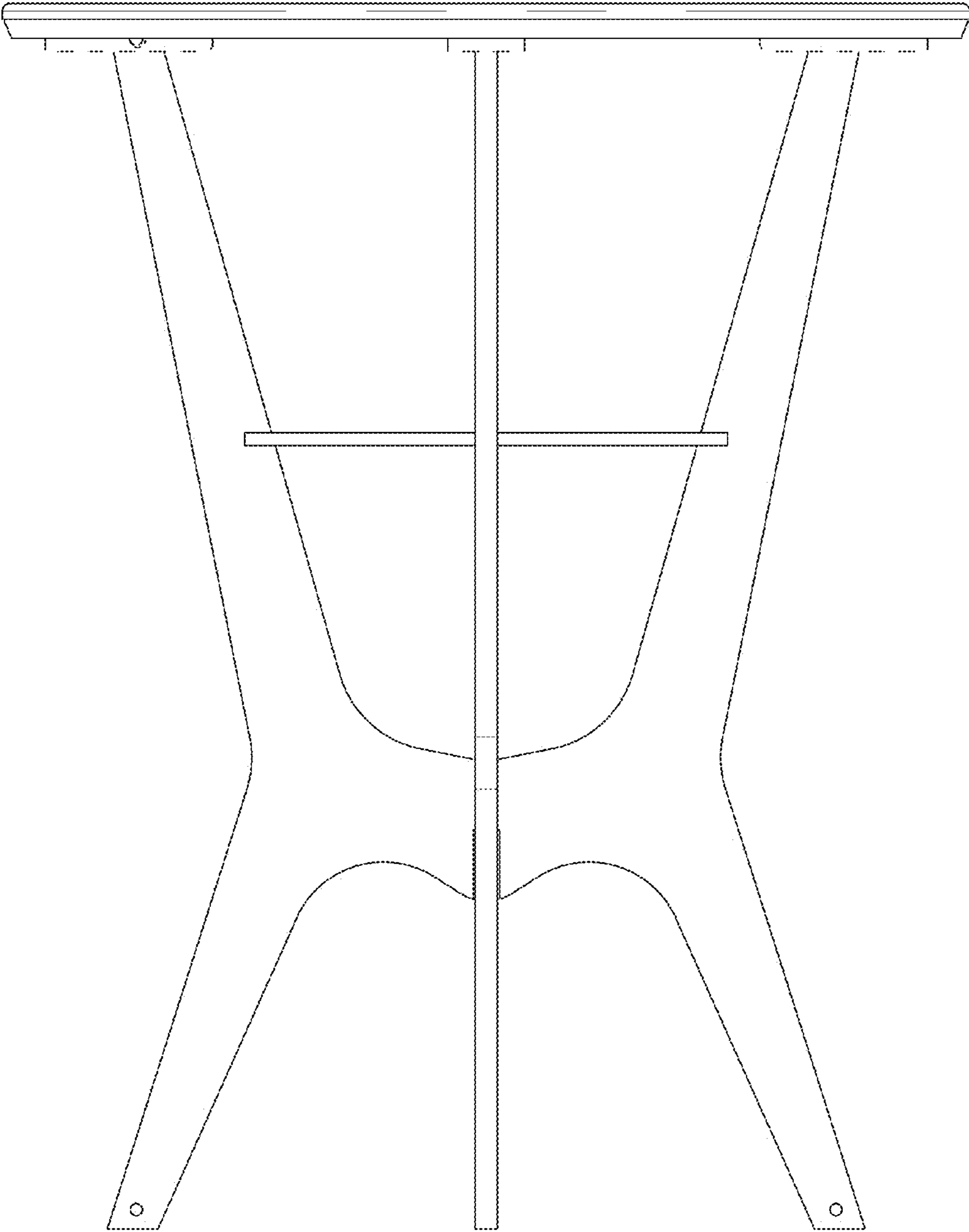


Fig. 5

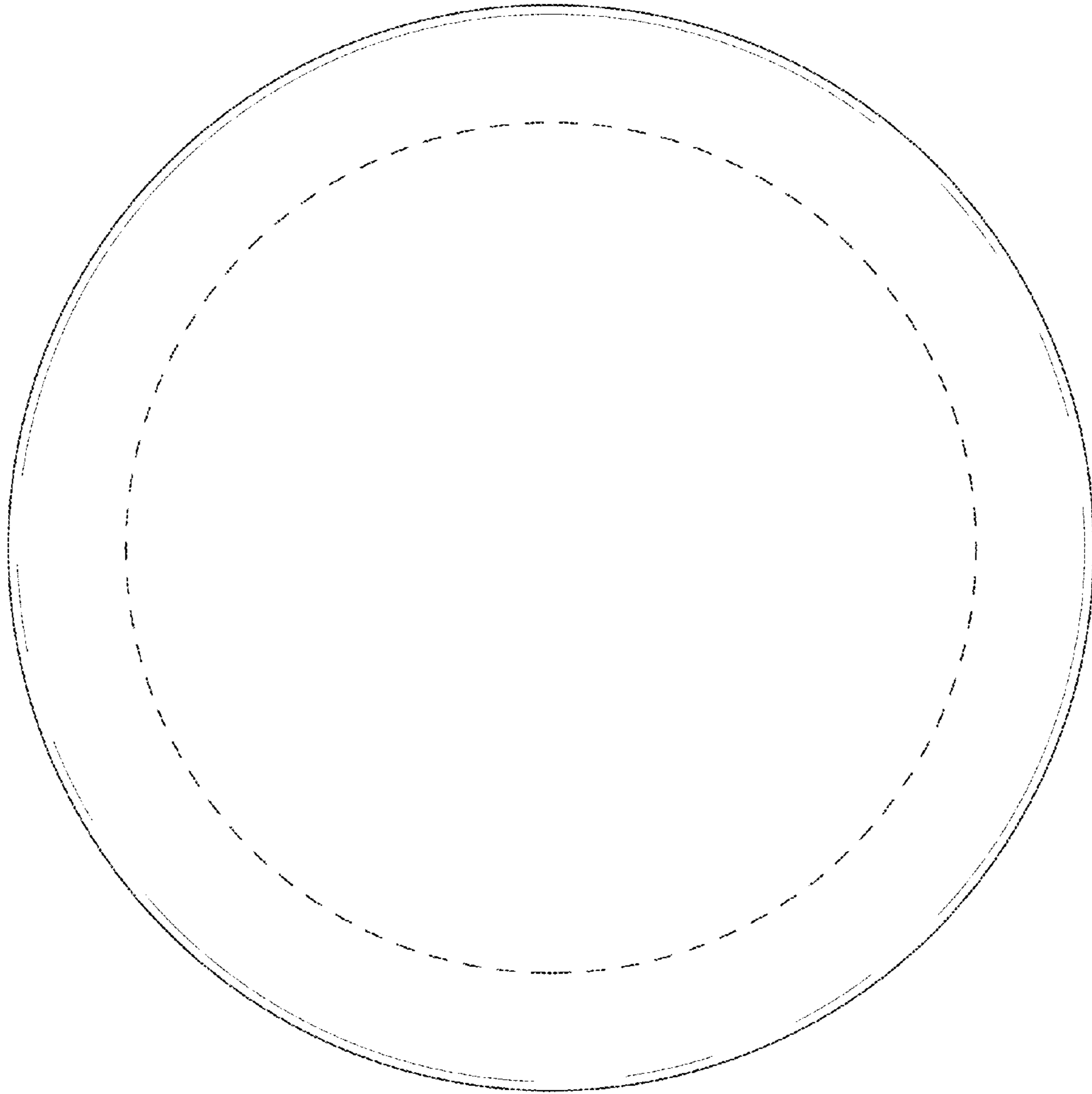


Fig. 6

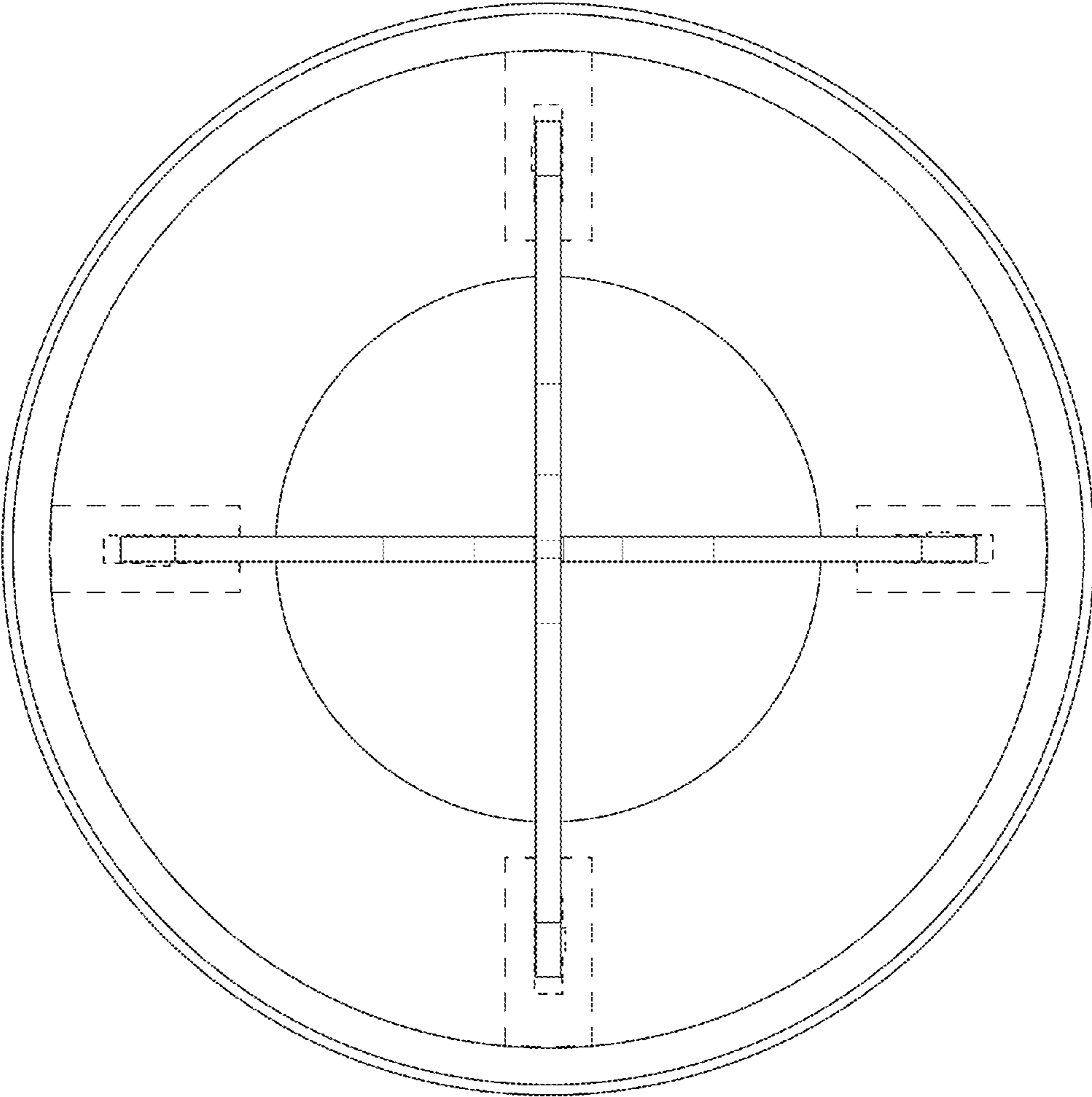


Fig. 7