



US00D762404S

(12) **United States Design Patent**  
**Williams**

(10) **Patent No.:** **US D762,404 S**

(45) **Date of Patent:** **\*\* Aug. 2, 2016**

(54) **DISPLAY CASE**

(71) Applicant: **Thomas S. Williams**, Erie, PA (US)

(72) Inventor: **Thomas S. Williams**, Erie, PA (US)

(\*\*) Term: **15 Years**

(21) Appl. No.: **29/531,146**

(22) Filed: **Jun. 23, 2015**

(51) **LOC (10) Cl.** ..... **06-06**

(52) **U.S. Cl.**  
USPC ..... **D6/682.2**

(58) **Field of Classification Search**  
USPC ..... D6/682, 682.2; D7/590, 598, 600.1,  
D7/601, 602, 701, 707, 619.1  
CPC A47G 7/002; A47G 23/0641; A47G 23/0316  
See application file for complete search history.

(56) **References Cited**

**U.S. PATENT DOCUMENTS**

D283,283 S *	4/1986	Sollen .....	D6/535
D283,287 S *	4/1986	Bosteels .....	D11/154
D322,194 S *	12/1991	Egan, Jr. ....	D7/708.1
D449,206 S *	10/2001	DuBow .....	D7/708.1
D452,097 S *	12/2001	Zetsche .....	D6/535
D453,646 S *	2/2002	Gottwald .....	D6/535
7,229,051 B2 *	6/2007	Mailhot, Jr. ....	A61M 5/1418 211/70.6
D618,938 S *	7/2010	Nielsen .....	D6/553
D625,150 S *	10/2010	Ciarrocchi, Jr. ....	D7/600.1

D703,266 S *	4/2014	Larson .....	D19/77
D730,125 S *	5/2015	Alyesworth .....	D7/620
D743,837 S *	11/2015	Zand .....	D11/146
2005/0082456 A1 *	4/2005	Petri .....	B65G 17/323 248/312
2010/0012807 A1 *	1/2010	Perman .....	A45F 5/02 248/312

\* cited by examiner

*Primary Examiner* — Kelley Donnelly

(74) *Attorney, Agent, or Firm* — Jonathan M. D'Silva; MMI Intellectual Property

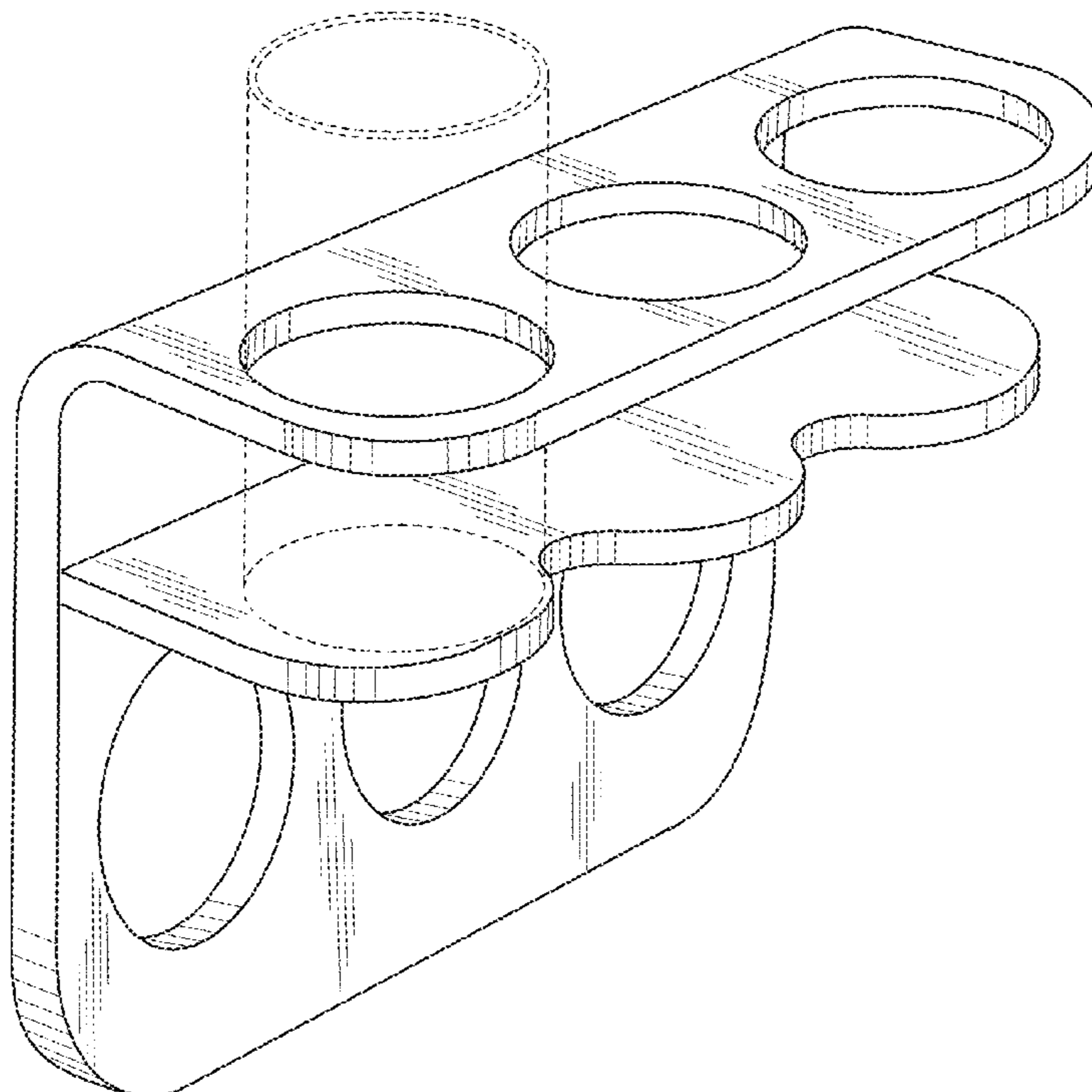
(57) **CLAIM**

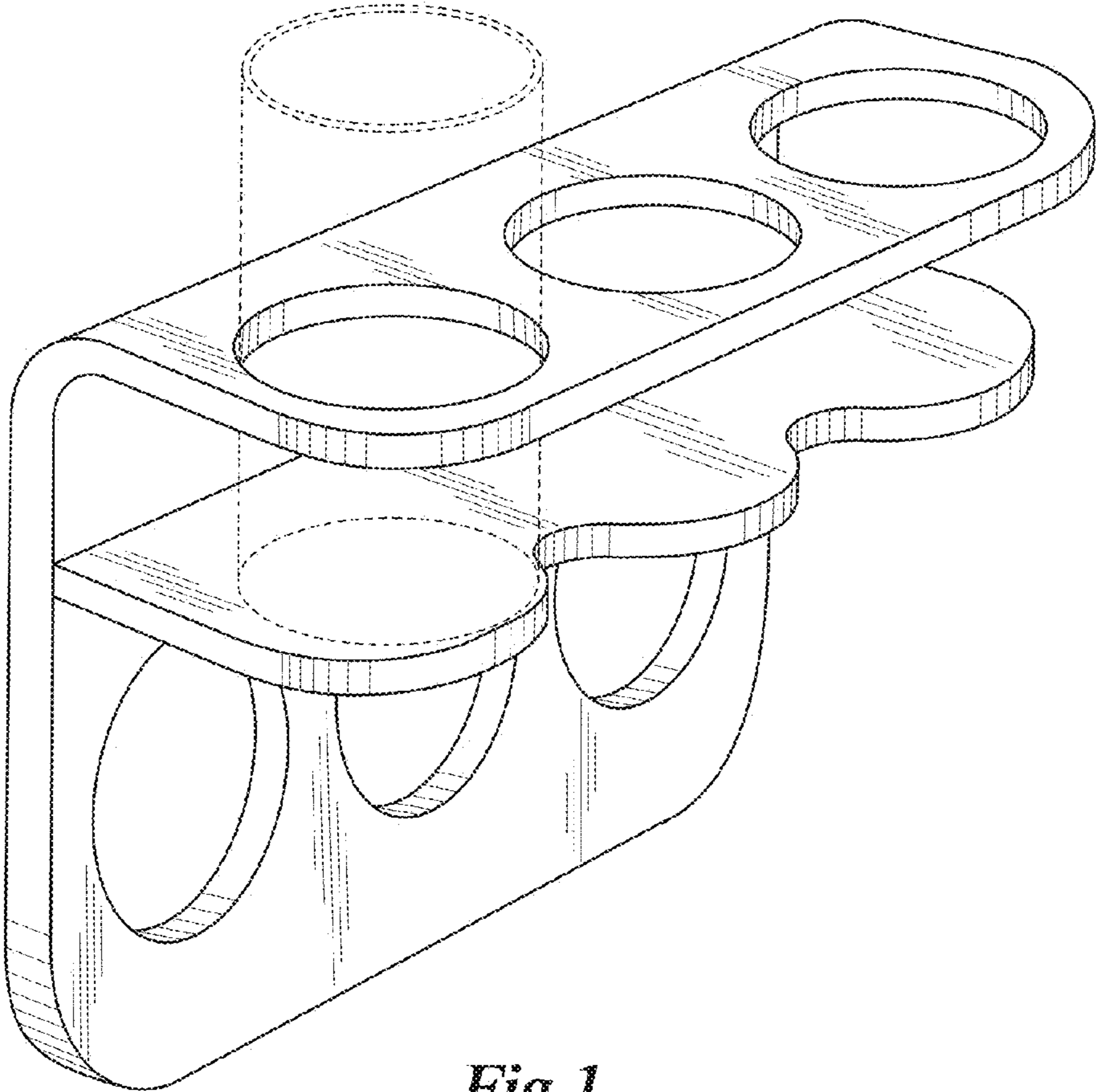
What is claimed the ornamental design for a display case, as shown and described.

**DESCRIPTION**

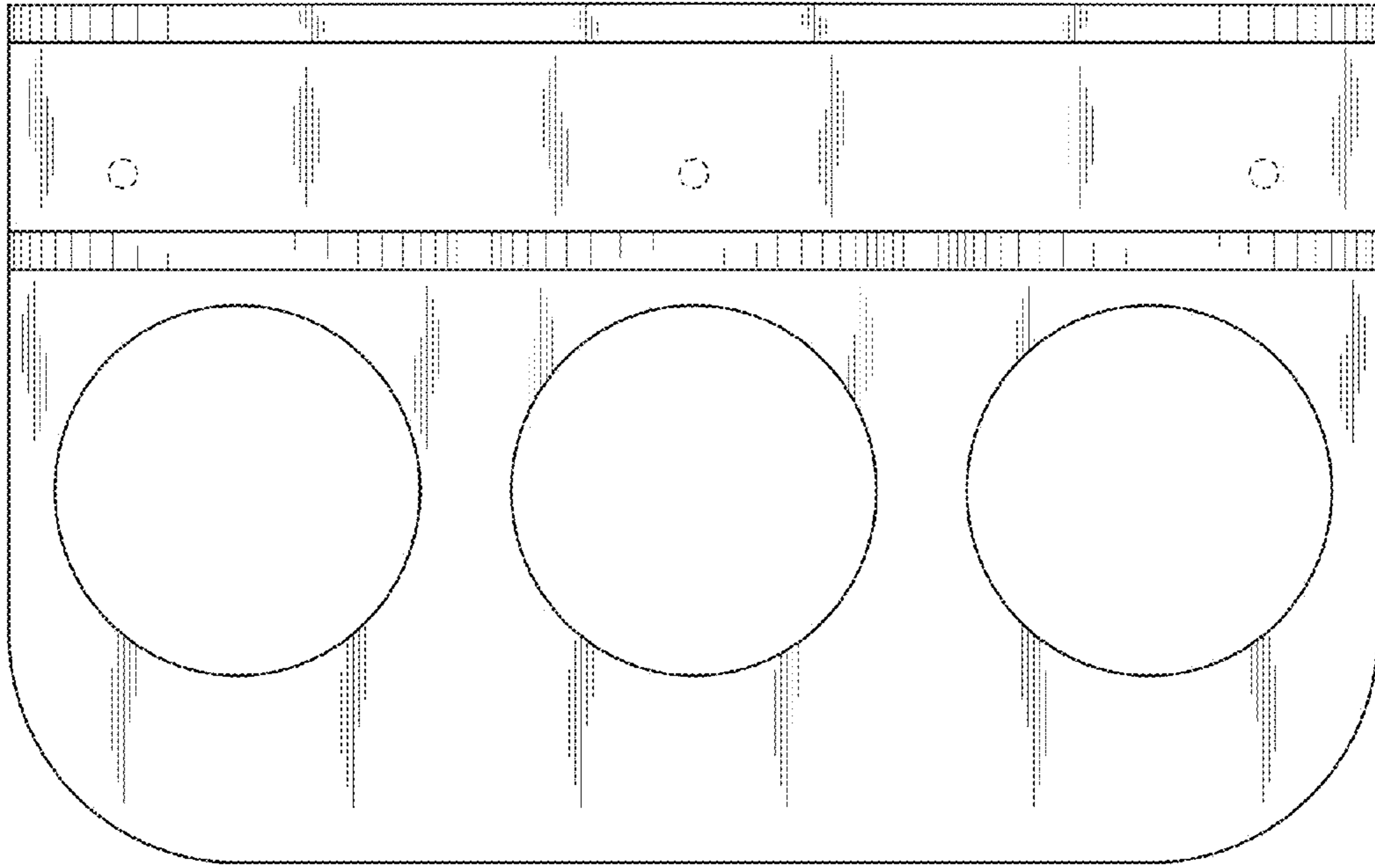
FIG. 1 is a top perspective view of a first embodiment for a display case showing my new design;  
 FIG. 2 is a front view thereof;  
 FIG. 3 is a back view thereof;  
 FIG. 4 is a top plan view thereof;  
 FIG. 5 is a bottom plan view thereof;  
 FIG. 6 is a top perspective view of a second embodiment for a display case showing my new design;  
 FIG. 7 is a front view thereof;  
 FIG. 8 is a back view thereof;  
 FIG. 9 is a top plan view thereof; and,  
 FIG. 10 is a bottom plan view thereof.  
 The broken lines of FIGS. 1 and 6 illustrate a shot glass and is included for the purpose of illustrating the environment of the design only and forms no part of the claimed design.

**1 Claim, 6 Drawing Sheets**

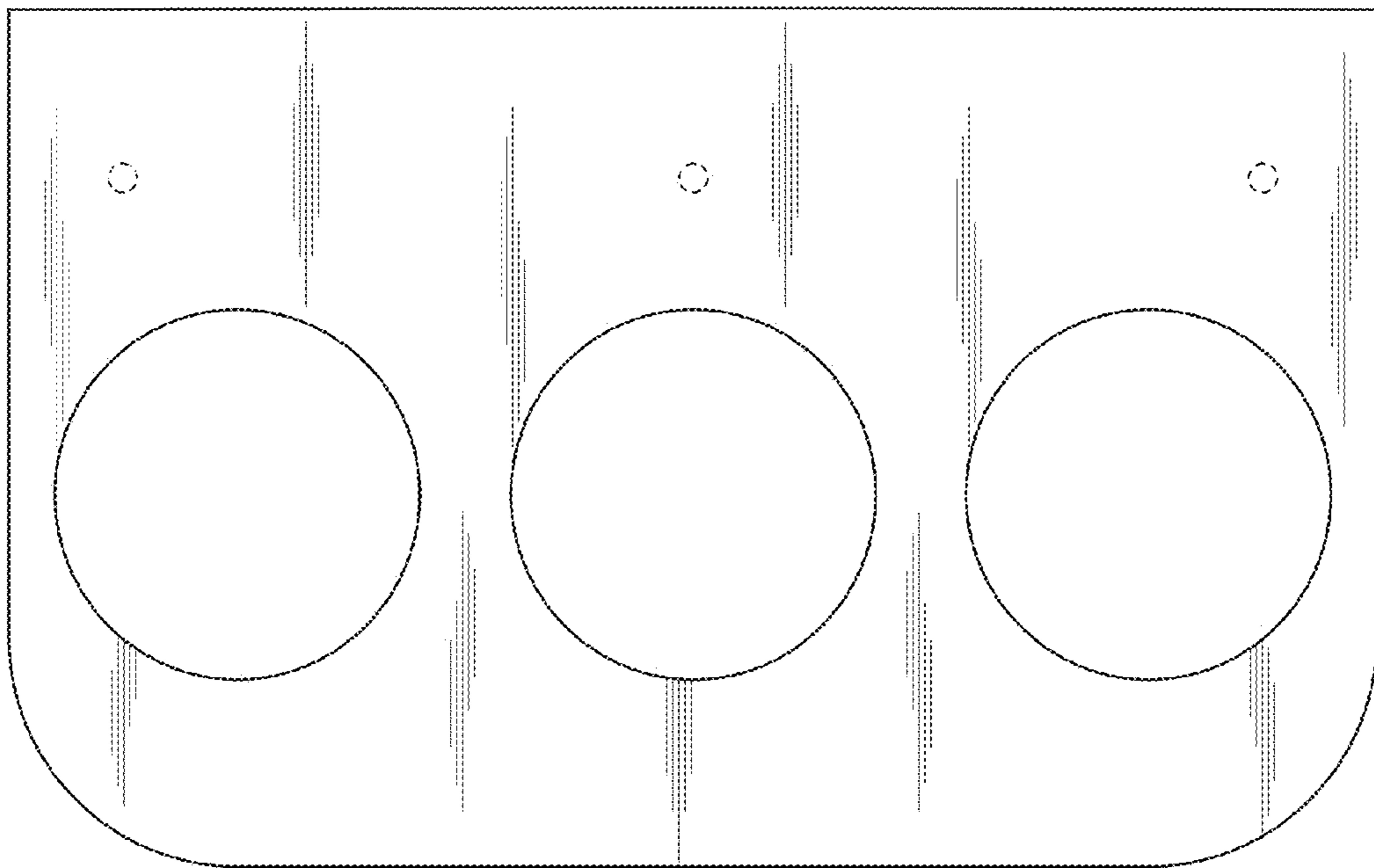




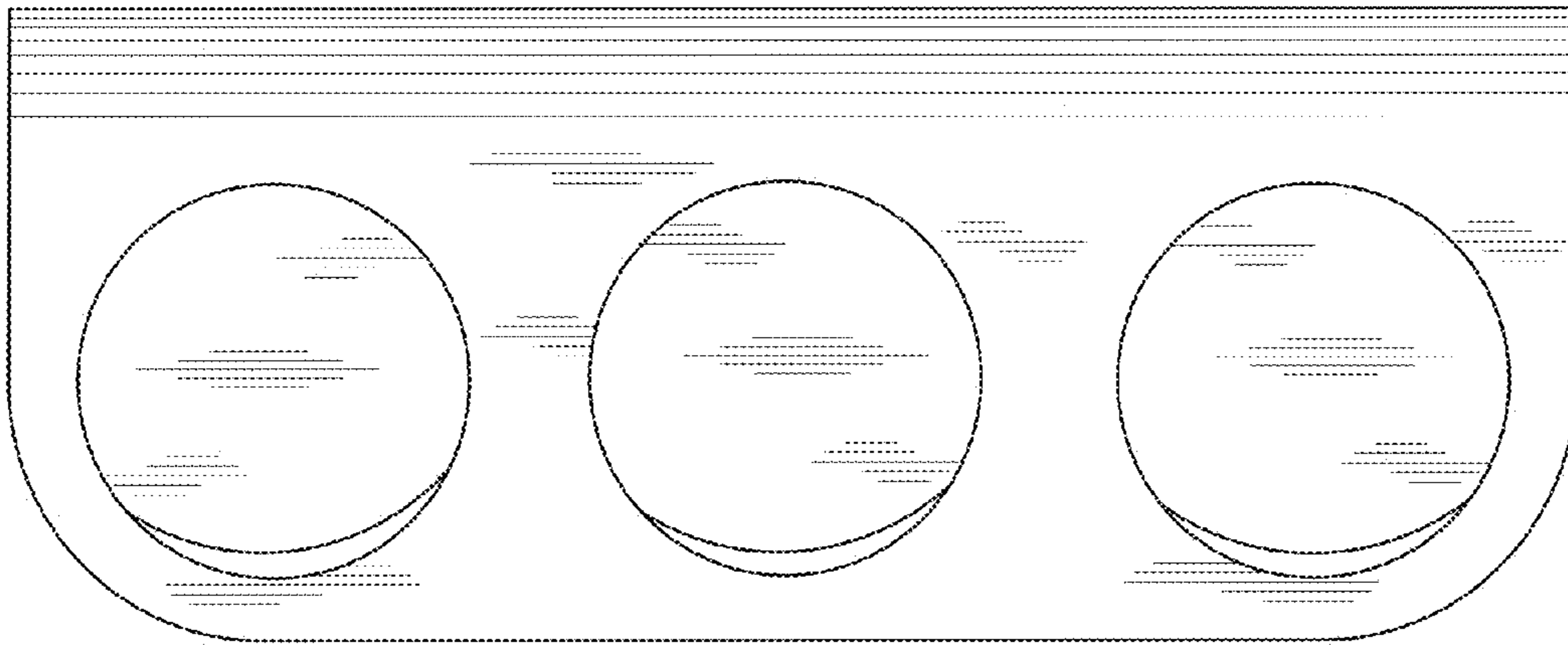
*Fig. 1*



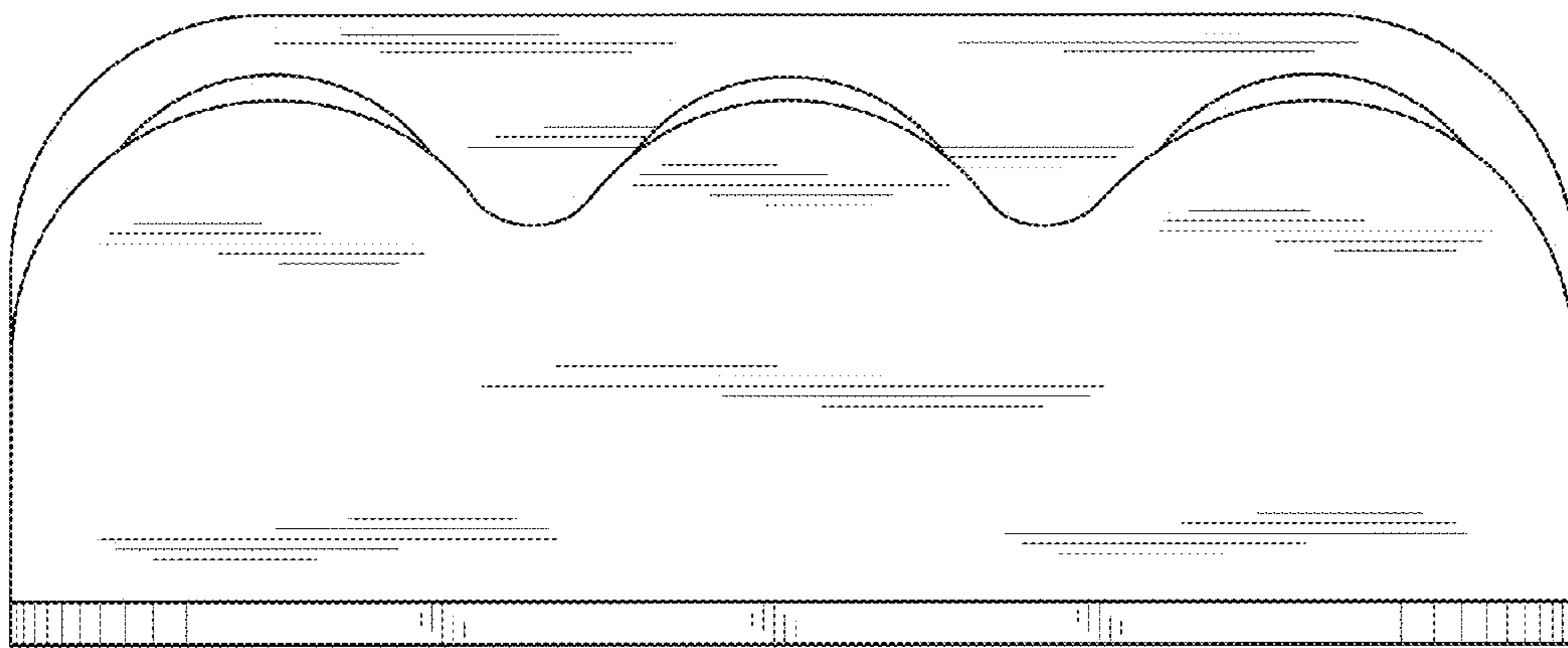
*Fig. 2*



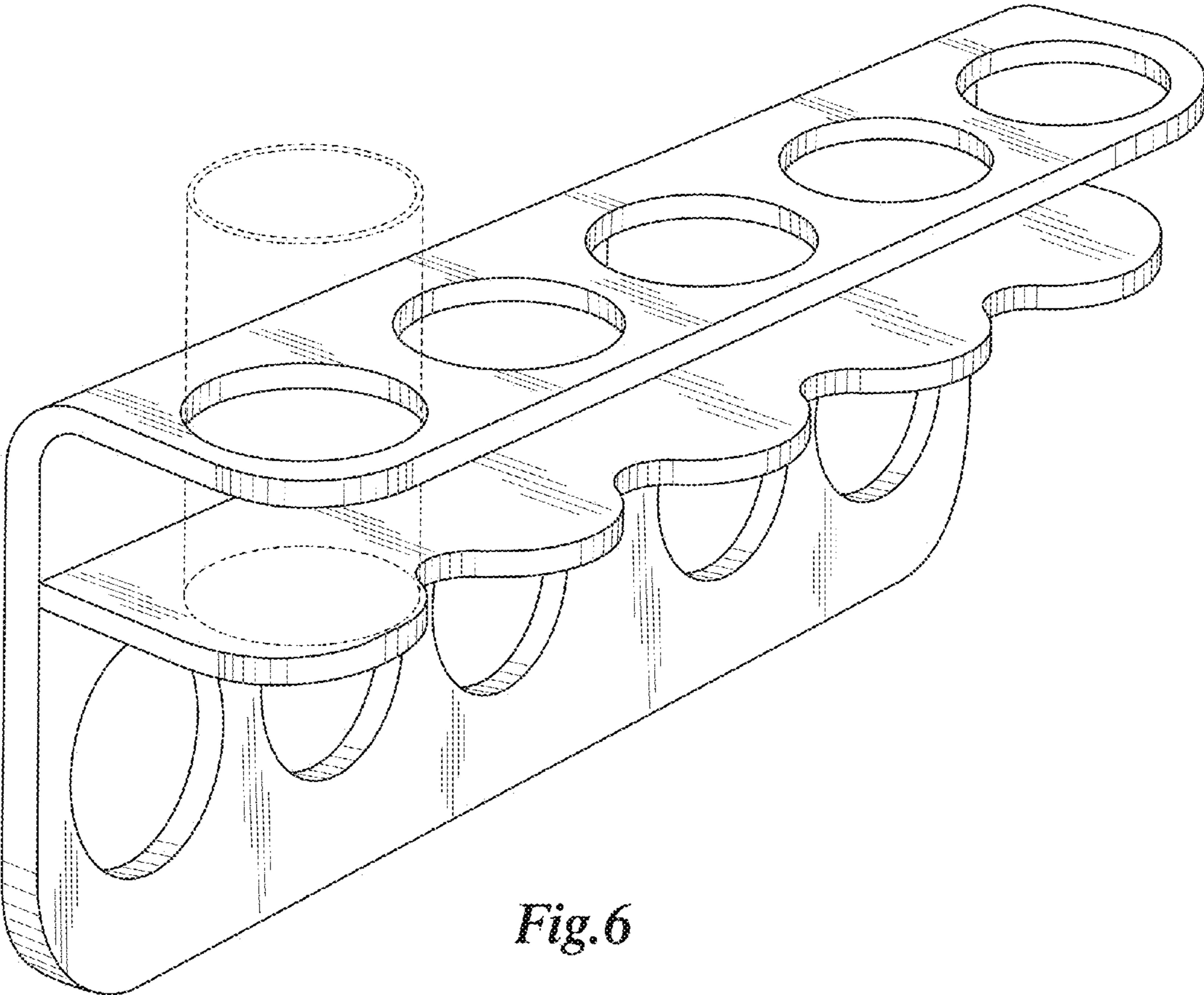
*Fig. 3*



*Fig. 4*



*Fig. 5*



*Fig.6*

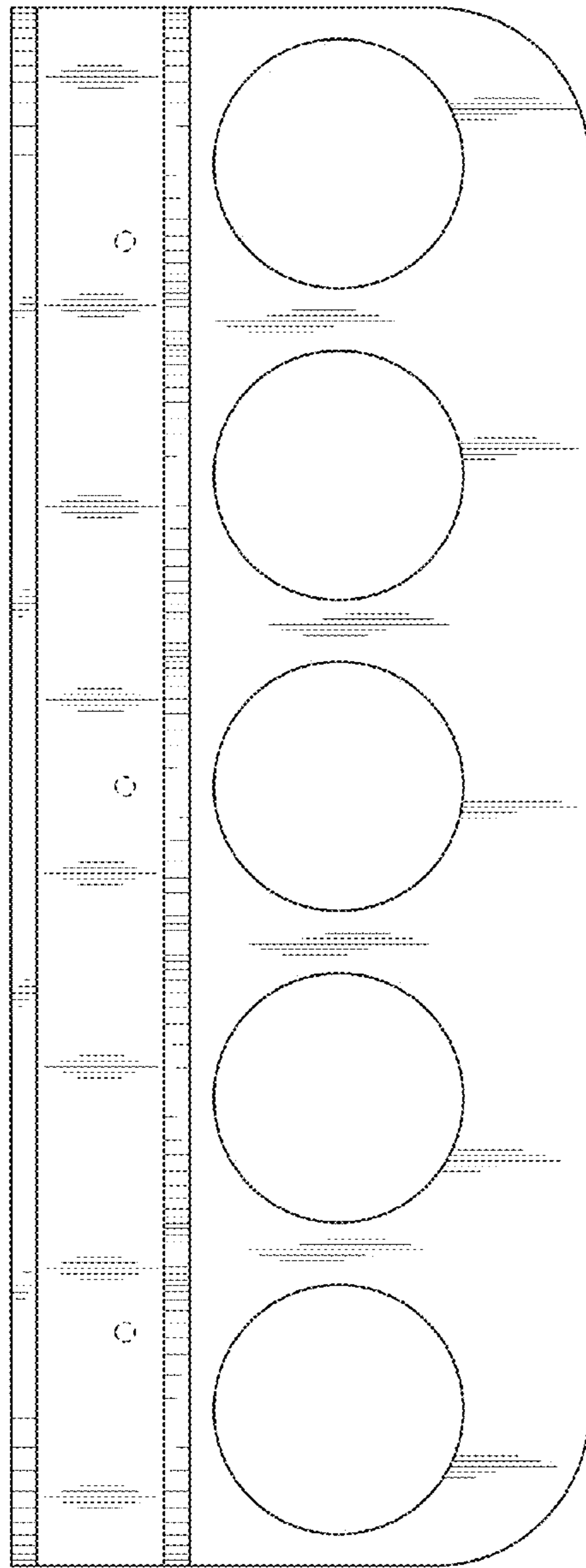


Fig. 7

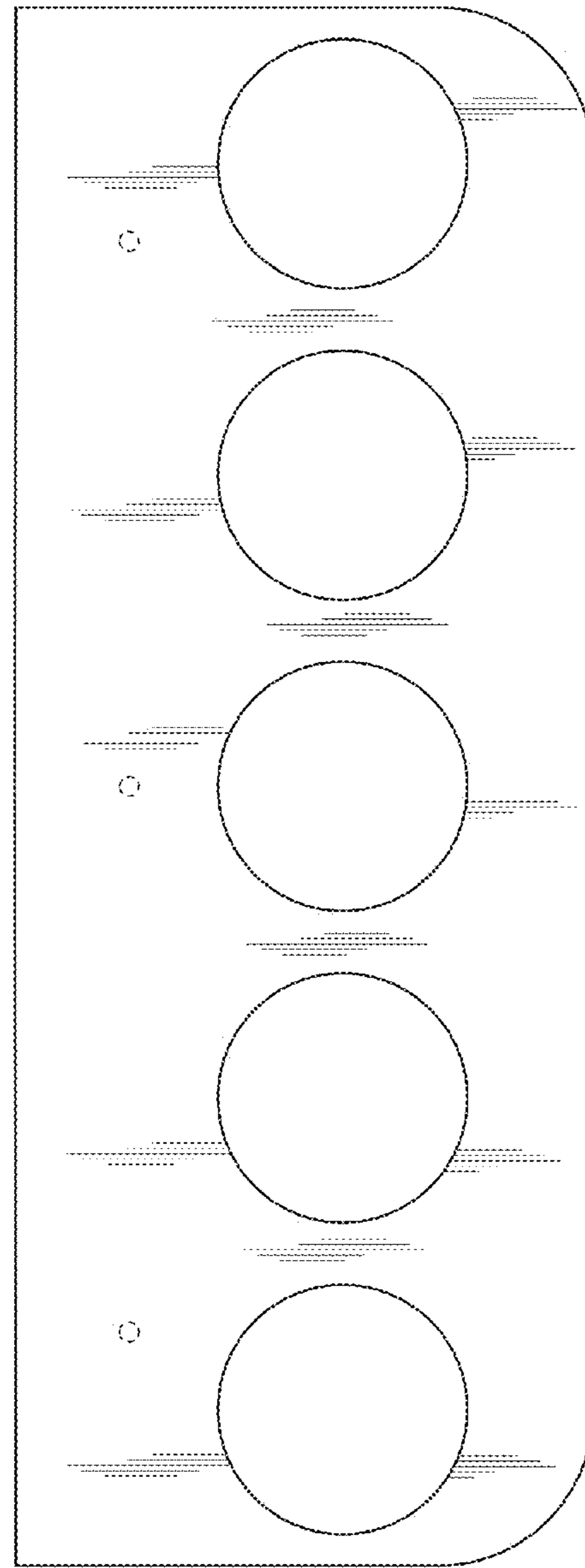
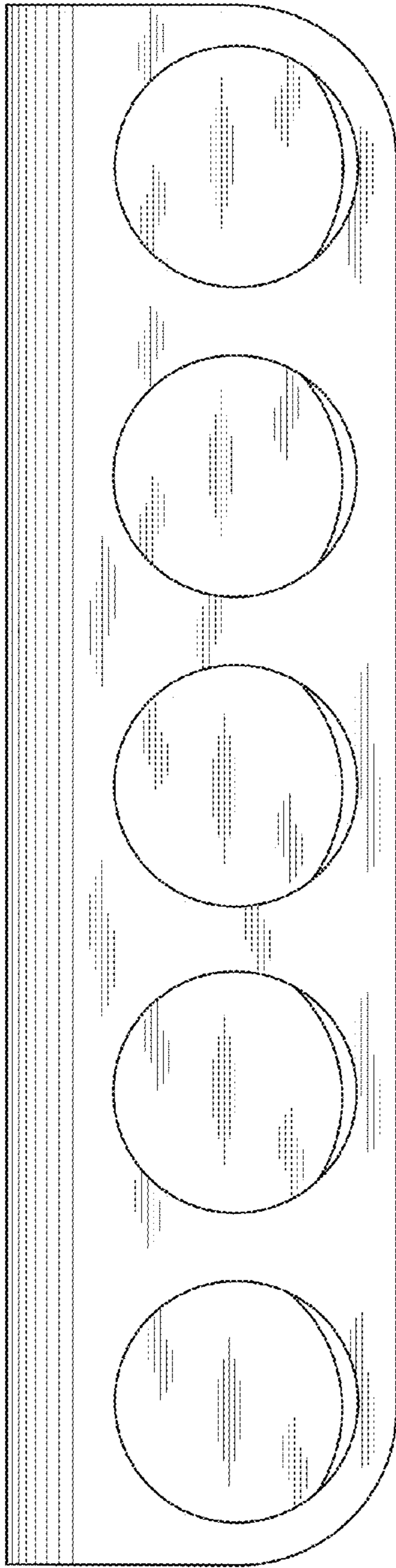
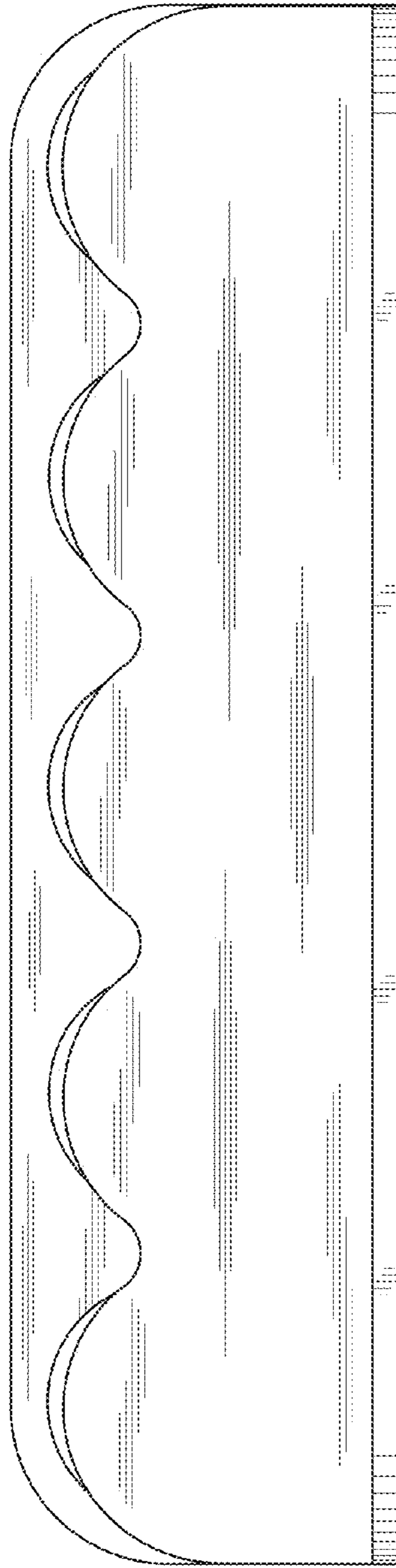


Fig. 8



*Fig. 9*



*Fig. 10*