

US00D762403S

(12) **United States Design Patent**  
**Williams**

(10) **Patent No.:** **US D762,403 S**  
(45) **Date of Patent:** **\*\* Aug. 2, 2016**

(54) **MULTIPURPOSE HOLDER**

(71) Applicant: **Diane Williams**, Cocoa, FL (US)

(72) Inventor: **Diane Williams**, Cocoa, FL (US)

(\*\*) Term: **14 Years**

(21) Appl. No.: **29/525,077**

(22) Filed: **Apr. 27, 2015**

(51) **LOC (10) Cl.** ..... **06-04**

(52) **U.S. Cl.**  
USPC ..... **D6/681.1**

(58) **Field of Classification Search**  
USPC ..... D6/512, 521, 552, 681, 681.1, 681.3,  
D6/682.1, 682.6; 211/85.3, 30, 45, 85.2,  
211/100, 123  
CPC ..... A47G 25/746; A47G 25/10; A47F 7/02;  
A47F 7/163; D06F 57/12; A47K 10/04  
See application file for complete search history.

D496,191 S *	9/2004	Johnson	.....	D6/681.3
D499,915 S *	12/2004	Snell	.....	D6/521
D534,012 S *	12/2006	Lee, Sr.	.....	D6/681.1
D538,066 S *	3/2007	Wagner	.....	D6/681.1
D596,433 S *	7/2009	Brewster	.....	D6/521
D655,530 S *	3/2012	Denby	.....	D6/681.1
D664,788 S *	8/2012	Baylon	.....	D6/681.1
D691,839 S *	10/2013	Dallenbach	.....	D6/681.1
D722,796 S *	2/2015	Lievore	.....	D6/681.1
2003/0213761 A1 *	11/2003	Sparkowski	.....	A47F 13/085 211/85.3

\* cited by examiner

*Primary Examiner* — John Windmuller

*Assistant Examiner* — Steven Czyz

(74) *Attorney, Agent, or Firm* — Robert C. Montgomery;  
Montgomery Patent & Design, LLC

(57) **CLAIM**

The ornamental design for a multipurpose holder, as shown and described.

(56) **References Cited**

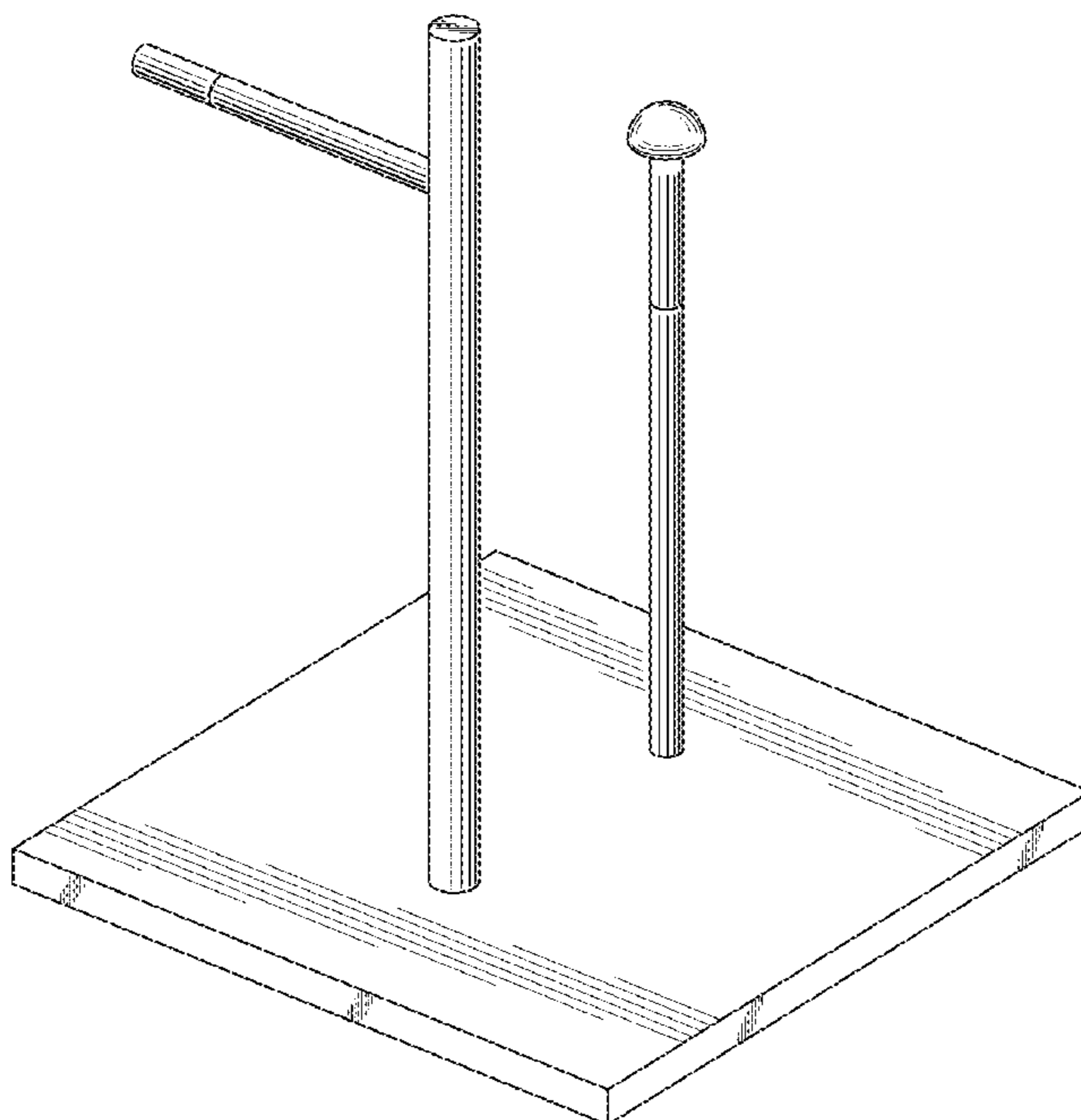
U.S. PATENT DOCUMENTS

3,204,779 A *	9/1965	Warner	.....	A47F 5/13 211/182
D216,450 S *	1/1970	Chiarello et al.	.....	D34/17
4,936,466 A *	6/1990	Nava	.....	A47F 7/02 206/566
D354,863 S *	1/1995	Pope	.....	D6/681
D419,013 S *	1/2000	Tisdale	.....	D6/522
D465,352 S *	11/2002	Kim	.....	D6/681
D469,975 S *	2/2003	Sparkowski	.....	D6/681.1
D496,180 S *	9/2004	Abruzzo	.....	D6/681.1

**DESCRIPTION**

FIG. 1 is a perspective front view of the multipurpose holder, showing my new design;  
FIG. 2 is a front side view thereof;  
FIG. 3 is a back side view thereof;  
FIG. 4 is a left side view thereof;  
FIG. 5 is a right side view thereof;  
FIG. 6 is a top side view thereof; and,  
FIG. 7 is a bottom side view thereof.

**1 Claim, 7 Drawing Sheets**



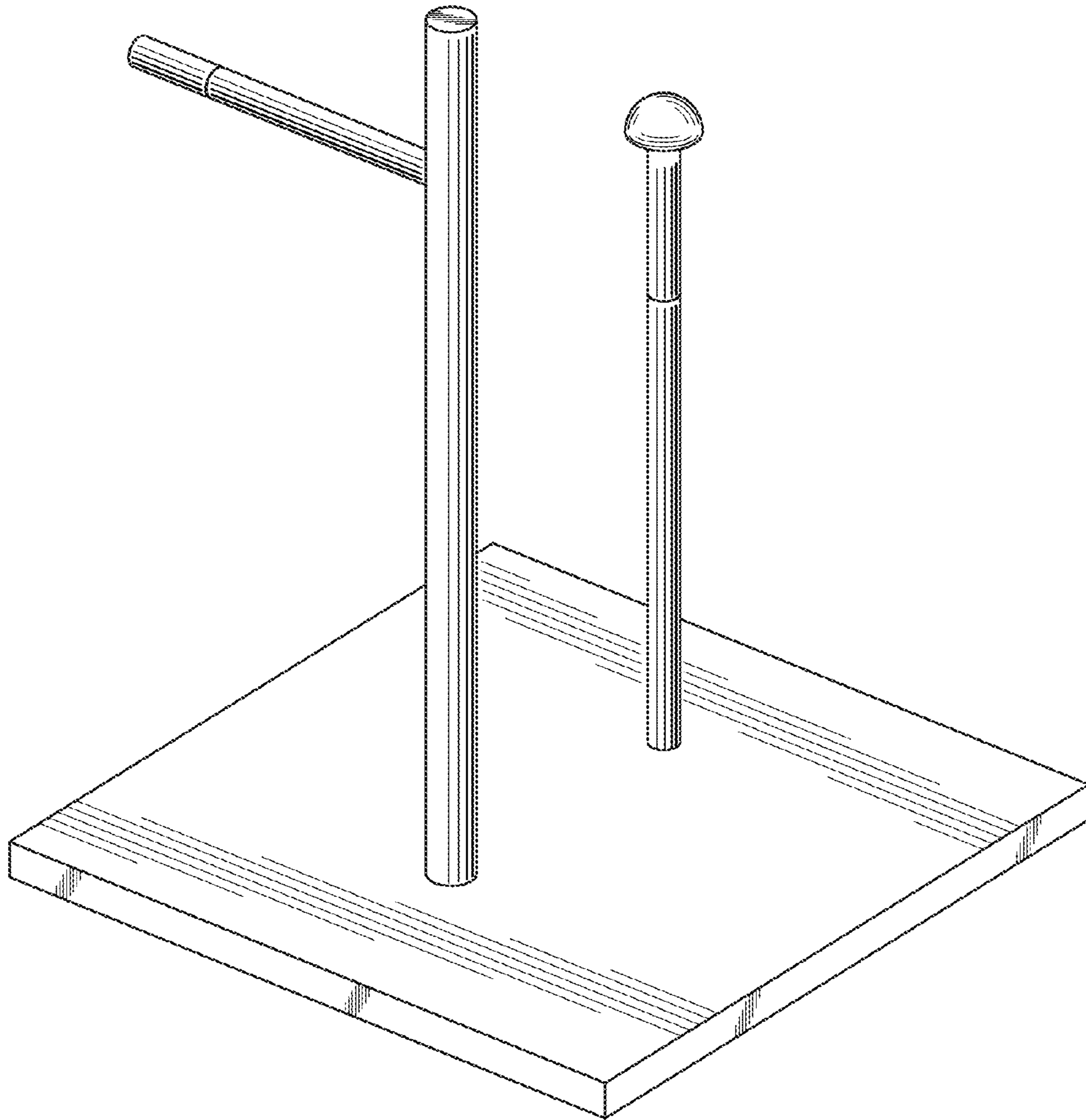


Fig. 1

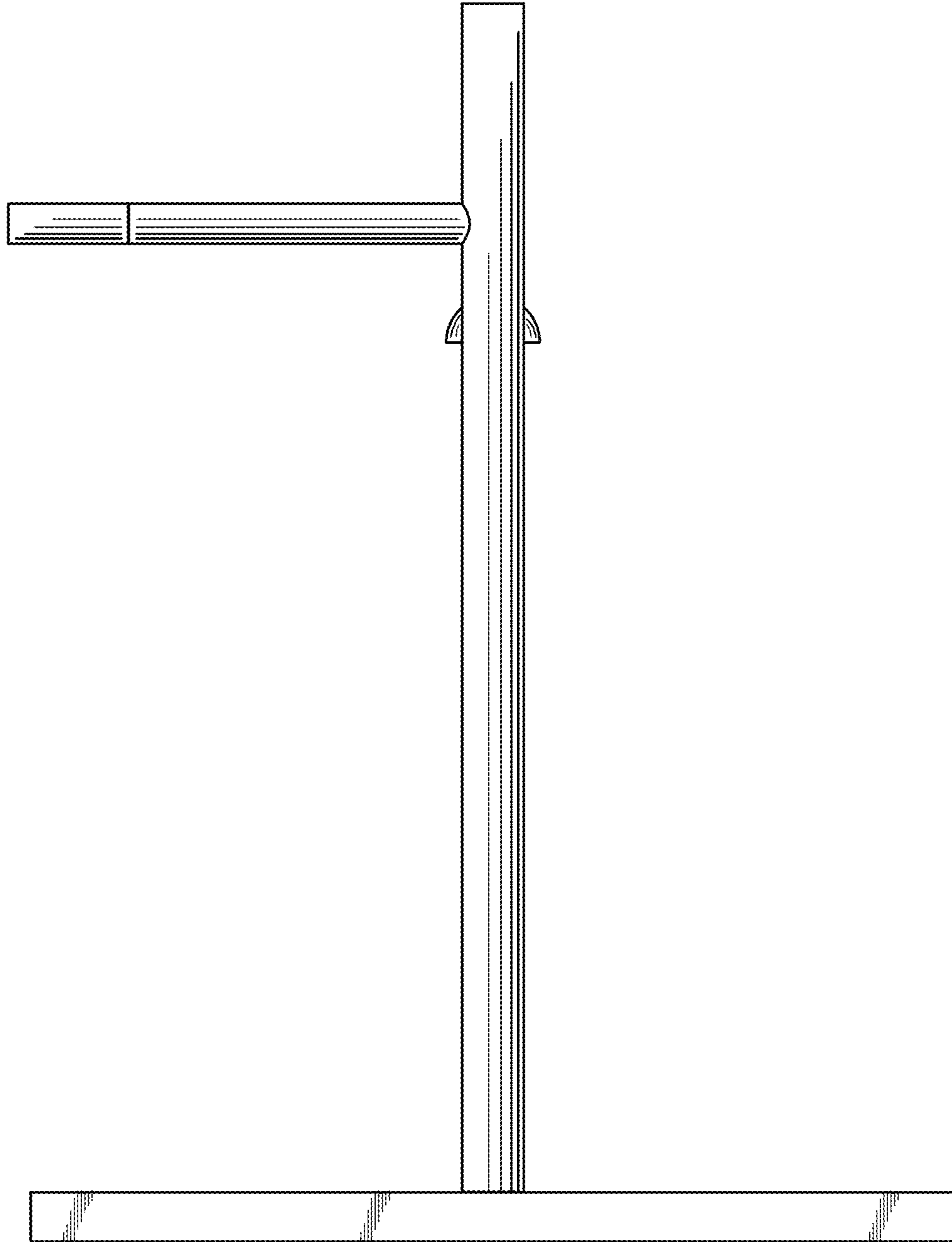


Fig. 2

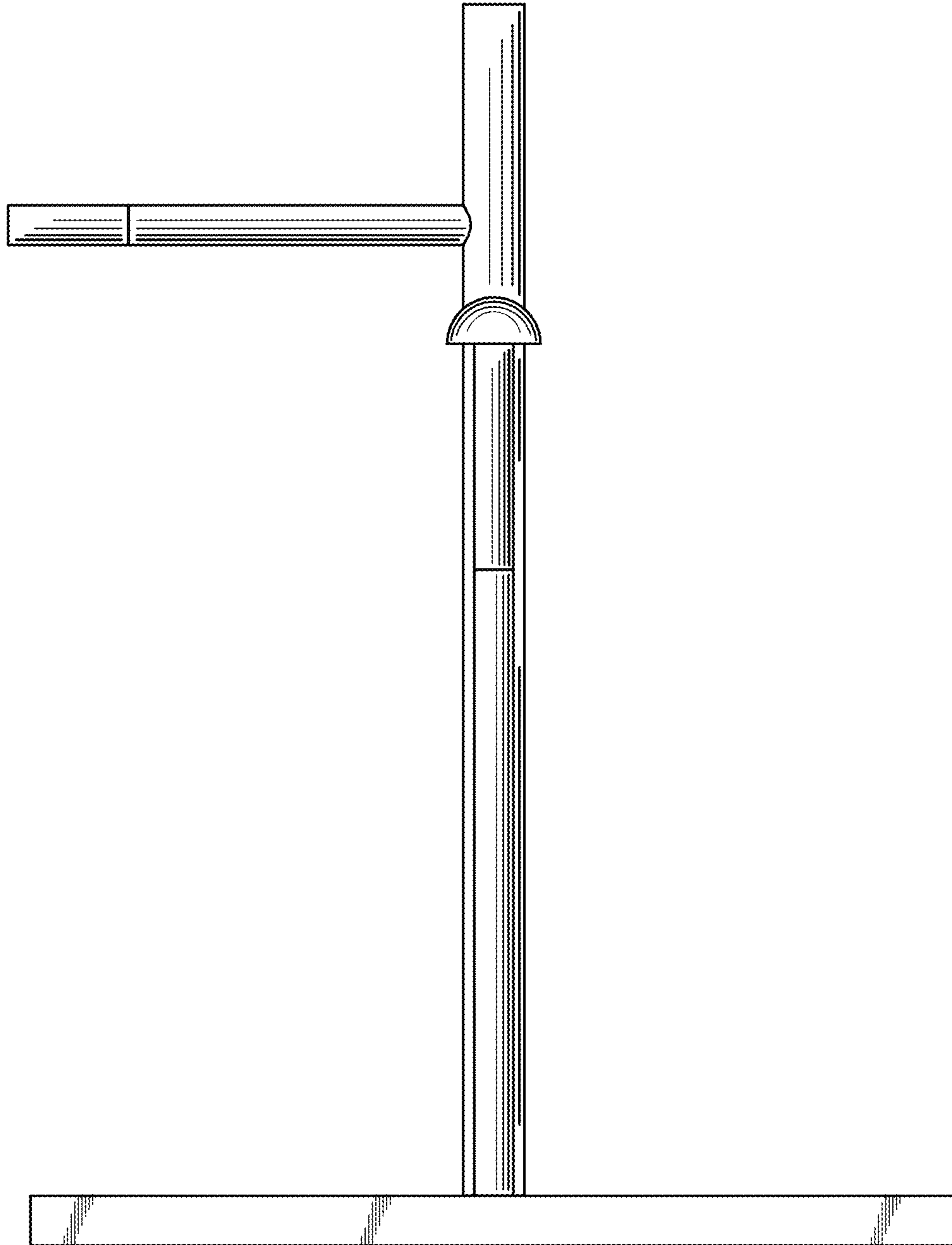


Fig. 3

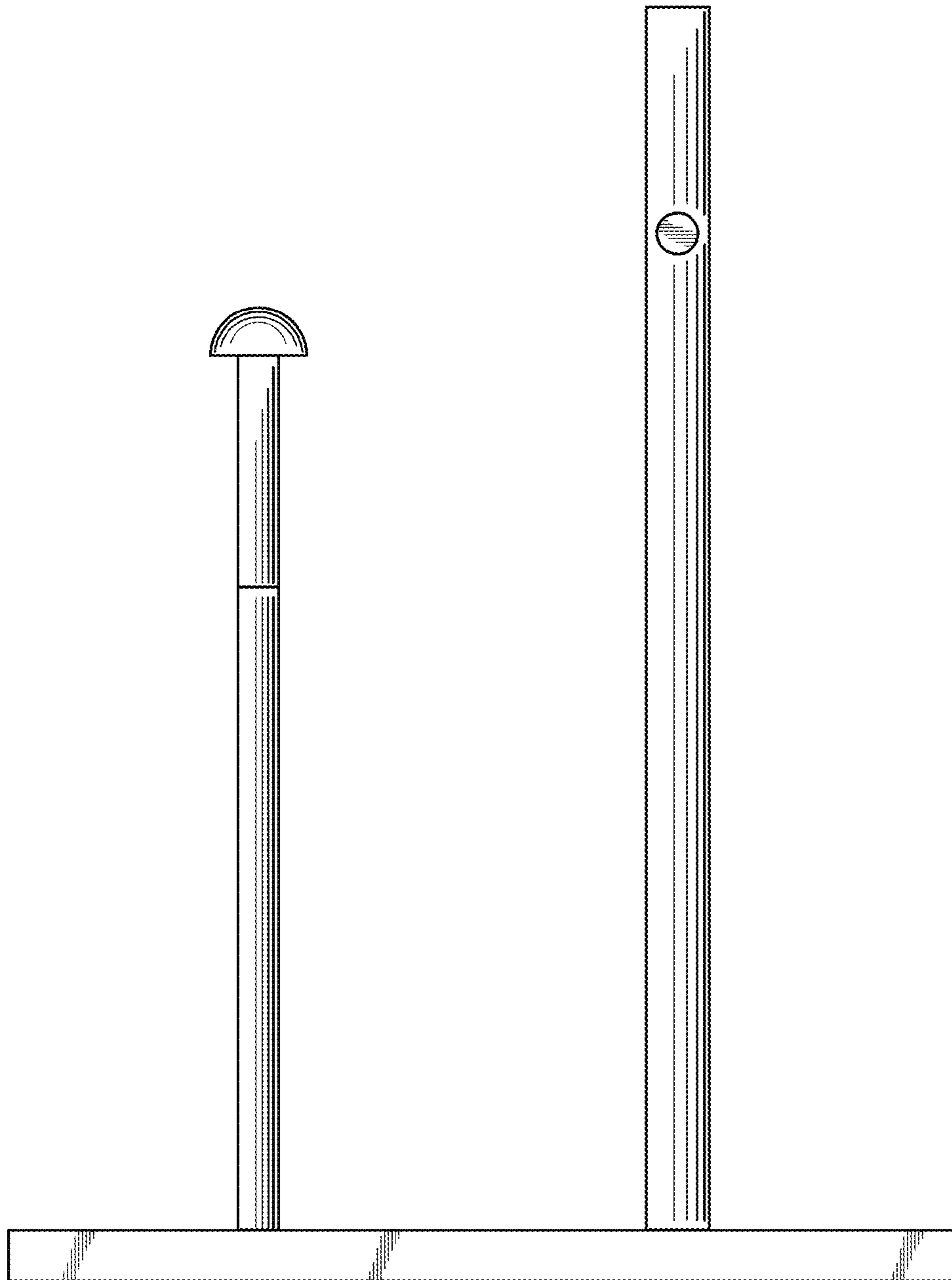


Fig. 4

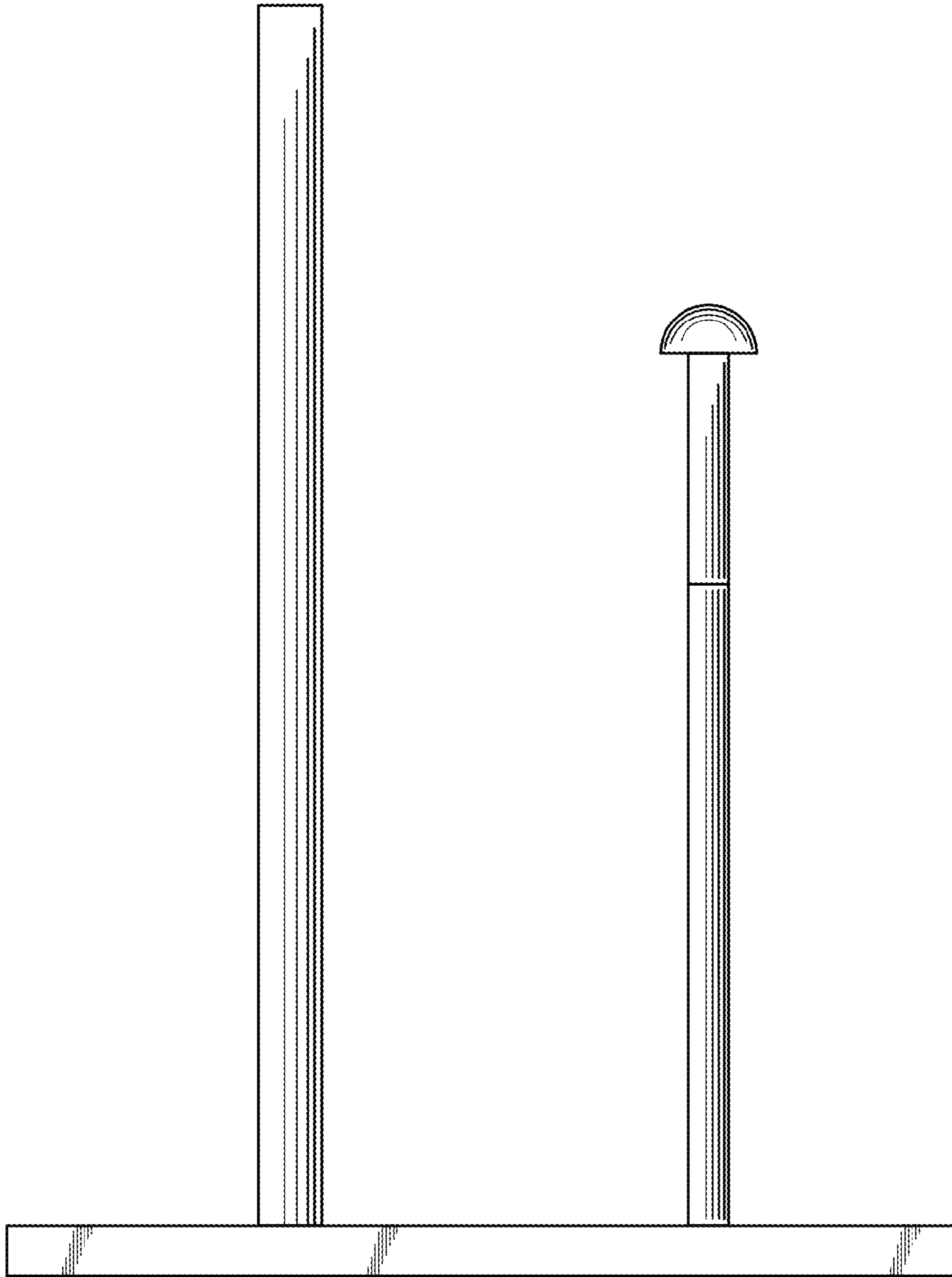


Fig. 5

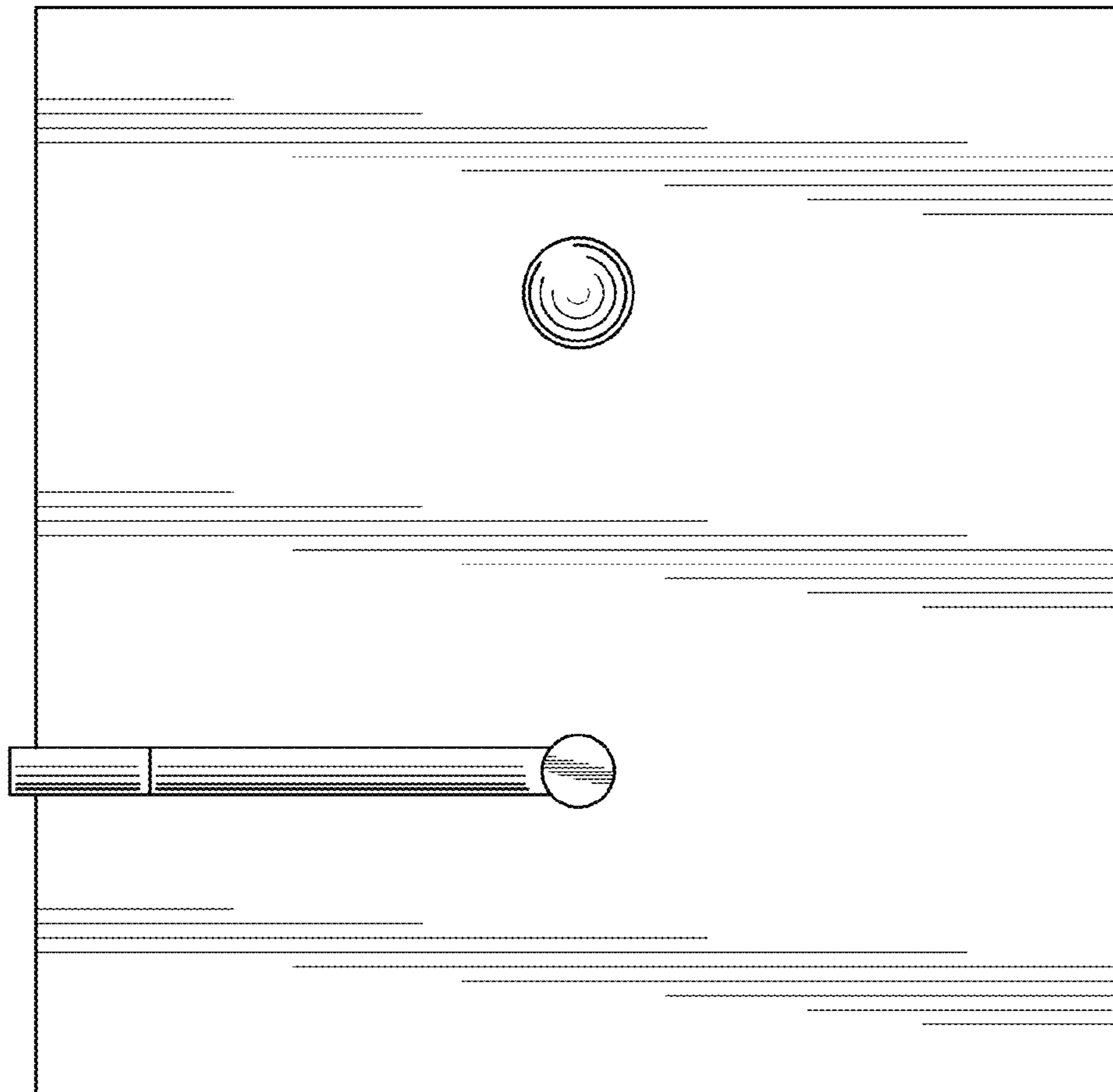


Fig. 6

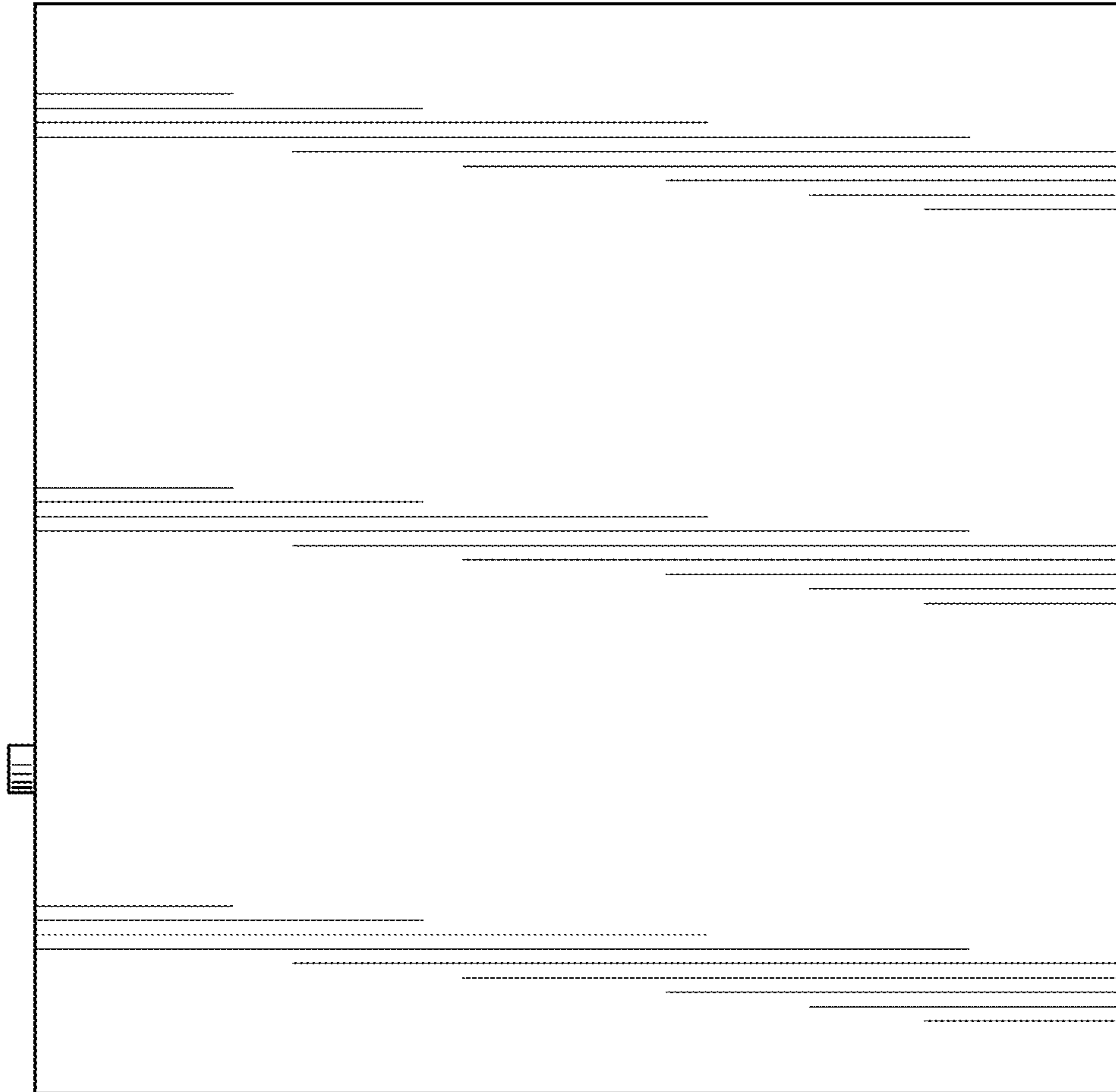


Fig. 7