



US00D762398S

(12) **United States Design Patent**  
**Ng**

(10) **Patent No.:** **US D762,398 S**

(45) **Date of Patent:** **\*\* Aug. 2, 2016**

(54) **DUAL ROLLER SHADE END BRACKET WITH CHAIN GUIDE**

(71) Applicant: **ZMC Metal Coating Inc.**, Woodbridge (CA)

(72) Inventor: **Philip Ng**, Thornhill (CA)

(73) Assignee: **ZMC Metal Coating Inc.**, Woodbridge (CA)

(\*\*) Term: **14 Years**

(21) Appl. No.: **29/526,360**

(22) Filed: **May 8, 2015**

(30) **Foreign Application Priority Data**

Feb. 13, 2015 (CA) ..... 161028

(51) **LOC (10) Cl.** ..... **06-10**

(52) **U.S. Cl.**  
USPC ..... **D6/580**

(58) **Field of Classification Search**  
USPC ..... D6/572, 580; D8/383, 380, 363, 373,  
D8/381, 375, 376, 377, 366, 372, 370, 371,  
D8/354, 382  
CPC ..... E06B 9/50; A47H 1/13; B60J 1/2063;  
B60J 1/2075  
See application file for complete search history.

(56) **References Cited**

**U.S. PATENT DOCUMENTS**

D194,869 S \* 3/1963 Stal ..... D8/367  
D298,800 S \* 12/1988 Diaz ..... 84/402

D312,387 S \* 11/1990 McAfee ..... D8/373  
D487,391 S \* 3/2004 Balaban ..... D8/354  
D531,489 S \* 11/2006 Concari ..... D8/373  
D598,274 S \* 8/2009 Nerskov ..... D8/354  
D616,287 S \* 5/2010 Lavoie ..... D8/354  
D684,033 S \* 6/2013 Preda ..... D8/354  
D700,045 S \* 2/2014 Ritter ..... D8/373  
D740,589 S \* 10/2015 Ng ..... D6/580  
D753,933 S \* 4/2016 Ng ..... D6/580

\* cited by examiner

*Primary Examiner* — Robert M Spear

*Assistant Examiner* — Eliza Bennett-Hattan

(74) *Attorney, Agent, or Firm* — Price Heneveld LLP

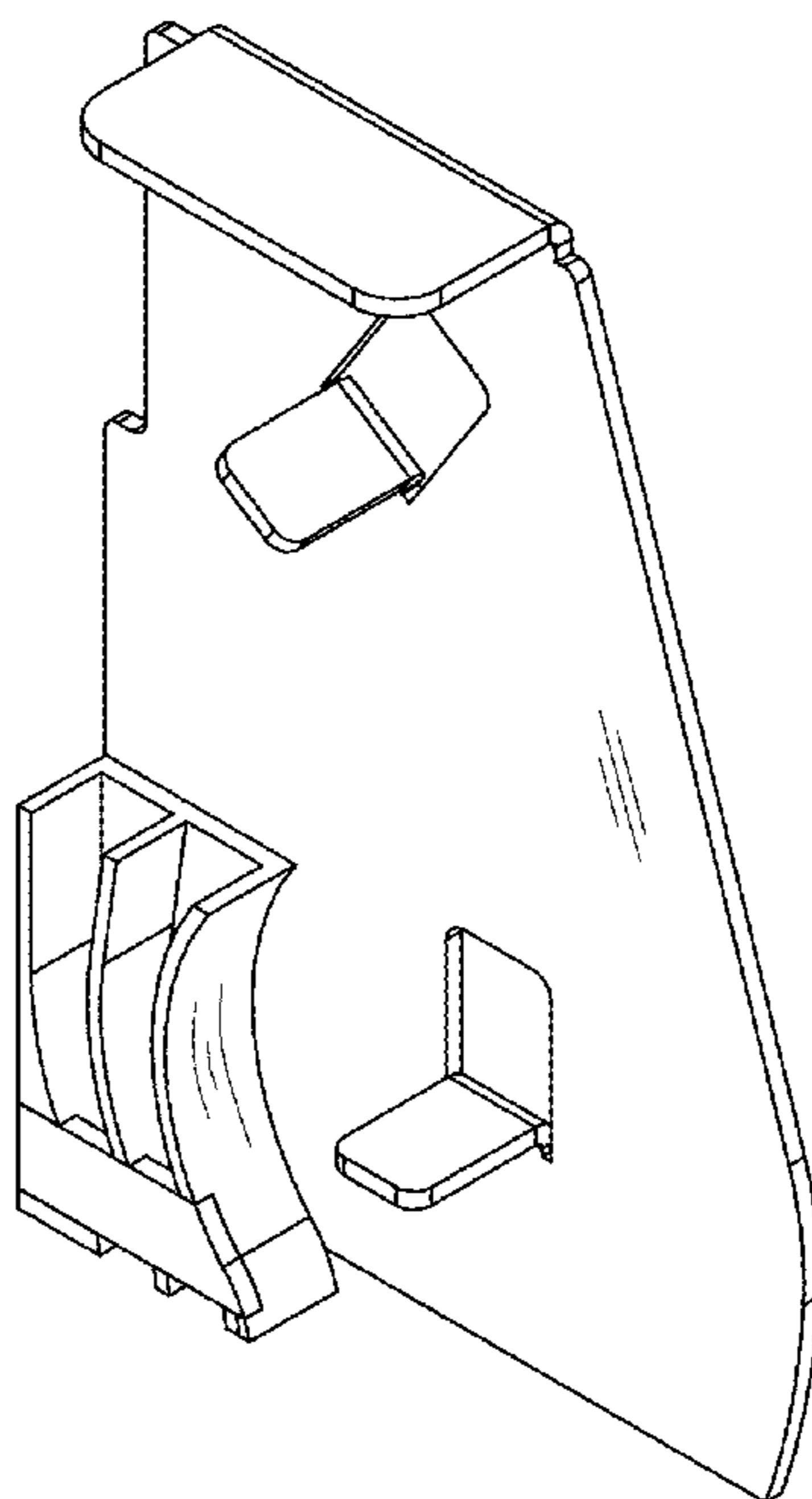
(57) **CLAIM**

The ornamental design for dual roller shade end bracket with chain guide, as shown.

**DESCRIPTION**

FIG. 1 is an upper left side perspective view of an embodiment dual roller shade end bracket with chain guide;  
FIG. 2 is a left side view of an embodiment dual roller shade end bracket with chain guide;  
FIG. 3 is a right side view of an embodiment dual roller shade end bracket with chain guide;  
FIG. 4 is a front elevational view of an embodiment dual roller shade end bracket with chain guide;  
FIG. 5 is a rear elevational view of an embodiment dual roller shade end bracket with chain guide;  
FIG. 6 is a top view of an embodiment dual roller shade end bracket with chain guide; and,  
FIG. 7 is a bottom view of an embodiment dual roller shade end bracket with chain guide.

**1 Claim, 7 Drawing Sheets**



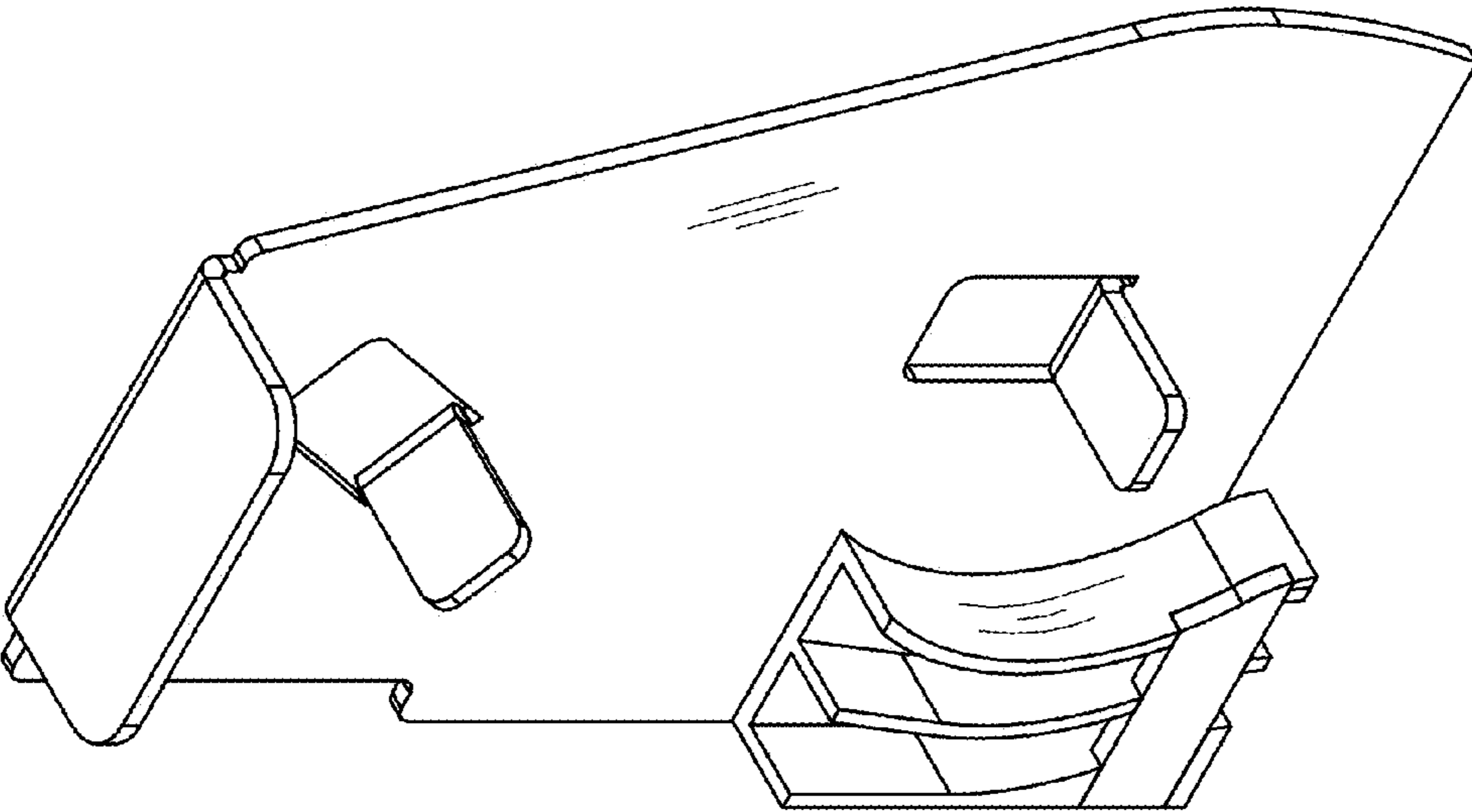


Fig. 1

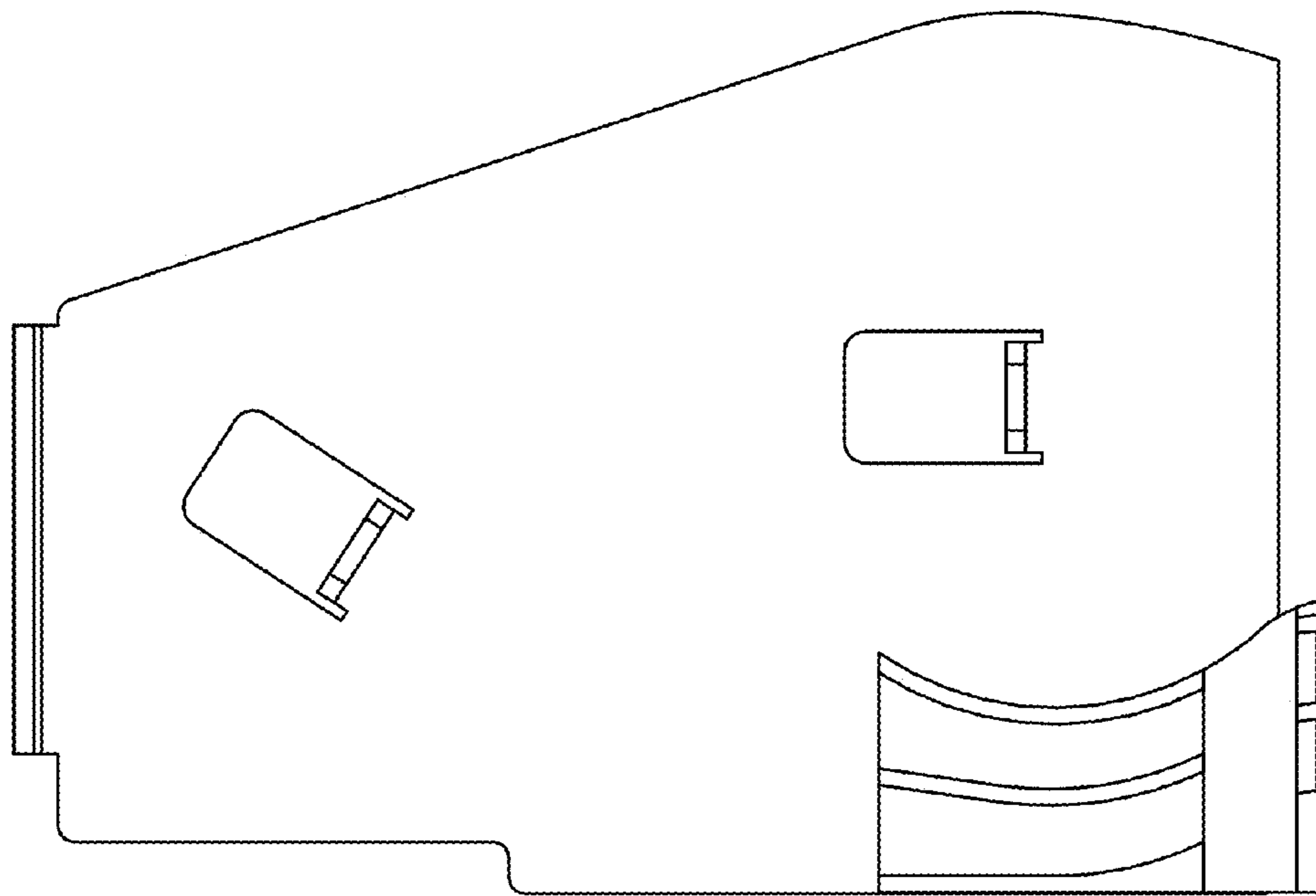


Fig. 2

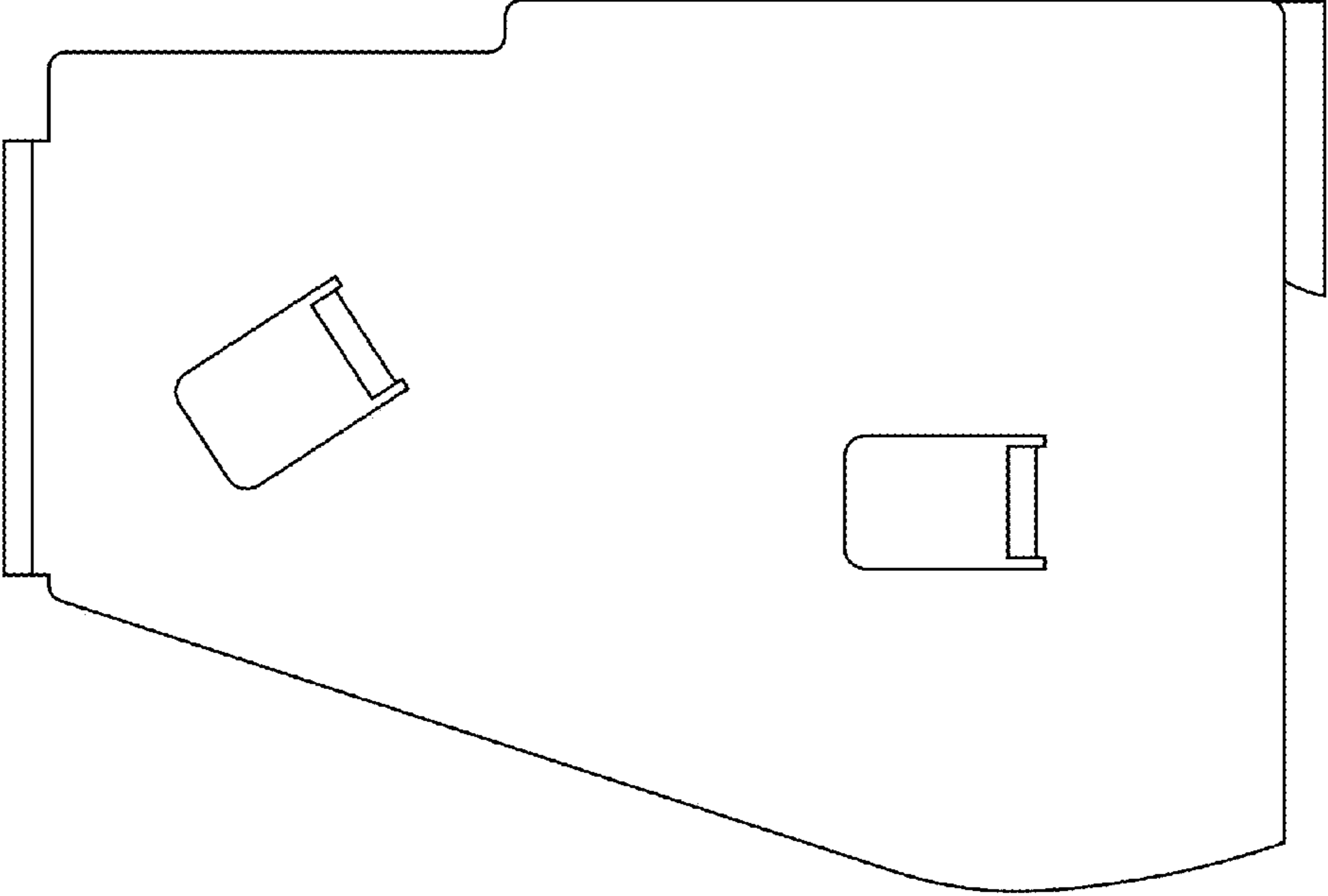


Fig. 3

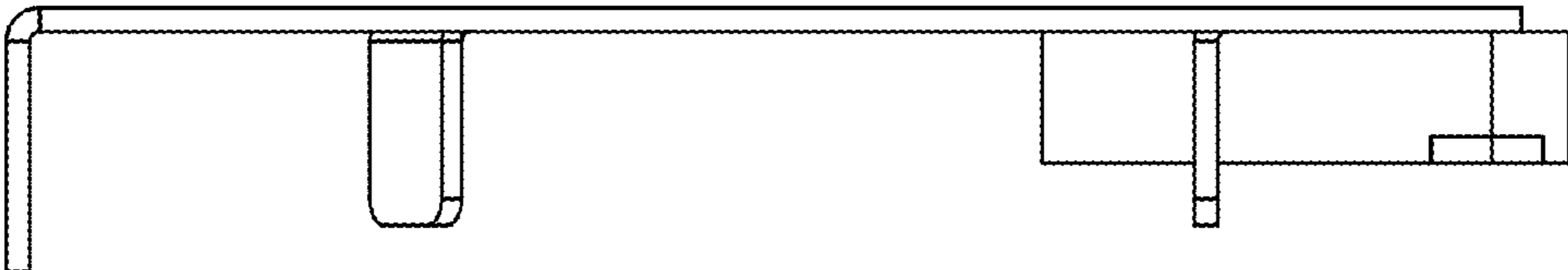


Fig. 4



Fig. 5

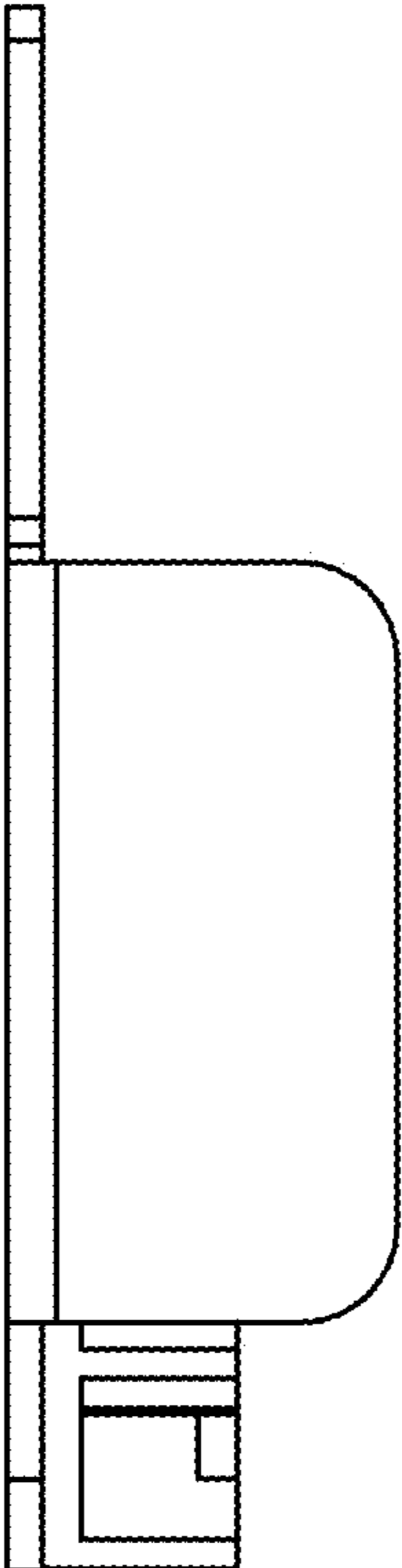


Fig. 6

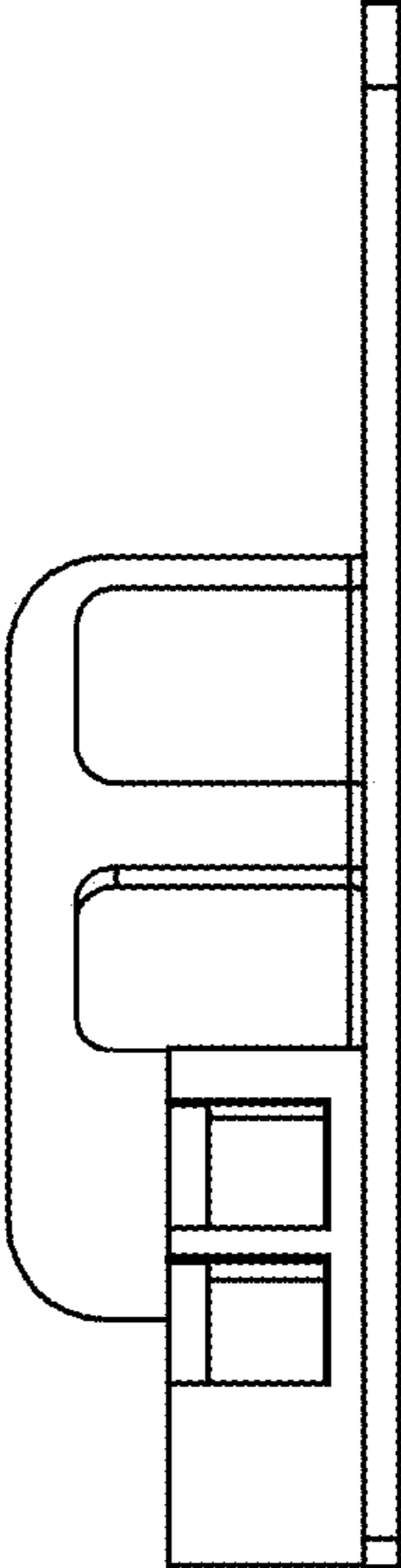


Fig. 7