



US00D762397S

(12) **United States Design Patent**
Goodman et al.

(10) **Patent No.:** **US D762,397 S**
(45) **Date of Patent:** **** Aug. 2, 2016**

- (54) **SPONGE AND BRUSH CRADLE**
- (71) Applicant: **Spectrum Diversified Designs, Inc.**,
Streetsboro, OH (US)
- (72) Inventors: **Sheldon H. Goodman**, Solon, OH (US);
Phaysouk Xayoiphonh, Akron, OH
(US); **Courtney K. Wilson**, Chardon,
OH (US)
- (73) Assignee: **Spectrum Diversified Designs, LLC**,
Streetsboro, OH (US)
- (**) Term: **14 Years**
- (21) Appl. No.: **29/507,687**
- (22) Filed: **Oct. 30, 2014**
- (51) **LOC (10) Cl.** **06-04**
- (52) **U.S. Cl.**
USPC **D6/566**; D6/537; D6/553
- (58) **Field of Classification Search**
USPC D6/566, 524, 525, 536-537, 540, 567,
D6/320, 553; 211/13.1, 74, 71.01, 86.01,
211/75, 88.01, 90.01, 90.03, 106, 119,
211/126.1, 133.5, 181.1, 134, 87.01;
D3/306; D32/55-56; D7/637;
248/206.2-206.3
CPC B23P 17/04; A47K 1/09; A47K 1/08;
A47K 3/281; F16B 47/00
See application file for complete search history.

D643,695 S *	8/2011	Goodman	D7/550.1
D666,855 S *	9/2012	Goodman	D6/566
D691,774 S *	10/2013	Goodman	D32/55
D692,633 S *	10/2013	Goodman	D32/55
D718,510 S *	11/2014	Goodman	D32/55
D723,760 S *	3/2015	Goodman	D32/55
D723,761 S *	3/2015	Goodman	D32/55

OTHER PUBLICATIONS

Amazon.com, Spectrum Diversified 09370 Contempo Sponge and Brush Cradle, Jan. 19, 2016, http://www.amazon.com/Spectrum-Diversified-09370-Contempo-Sponge/dp/B0105KE6R2/ref=pd_sim_sbs_201_28?ie=UTF8&dpID=31RRwFcSECL&dpSrc=sims&preST=_AC_UL160_SR160%2C160_&refRID=0C46VXQFGH6FXFF4T2NR.*

* cited by examiner

Primary Examiner — David Muller

Assistant Examiner — Nathan Johnston

(74) *Attorney, Agent, or Firm* — Benesch, Friedlander, Coplan & Aronoff LLP

(57) **CLAIM**

What is claimed is the ornamental design for a sponge and brush cradle, as shown and described.

DESCRIPTION

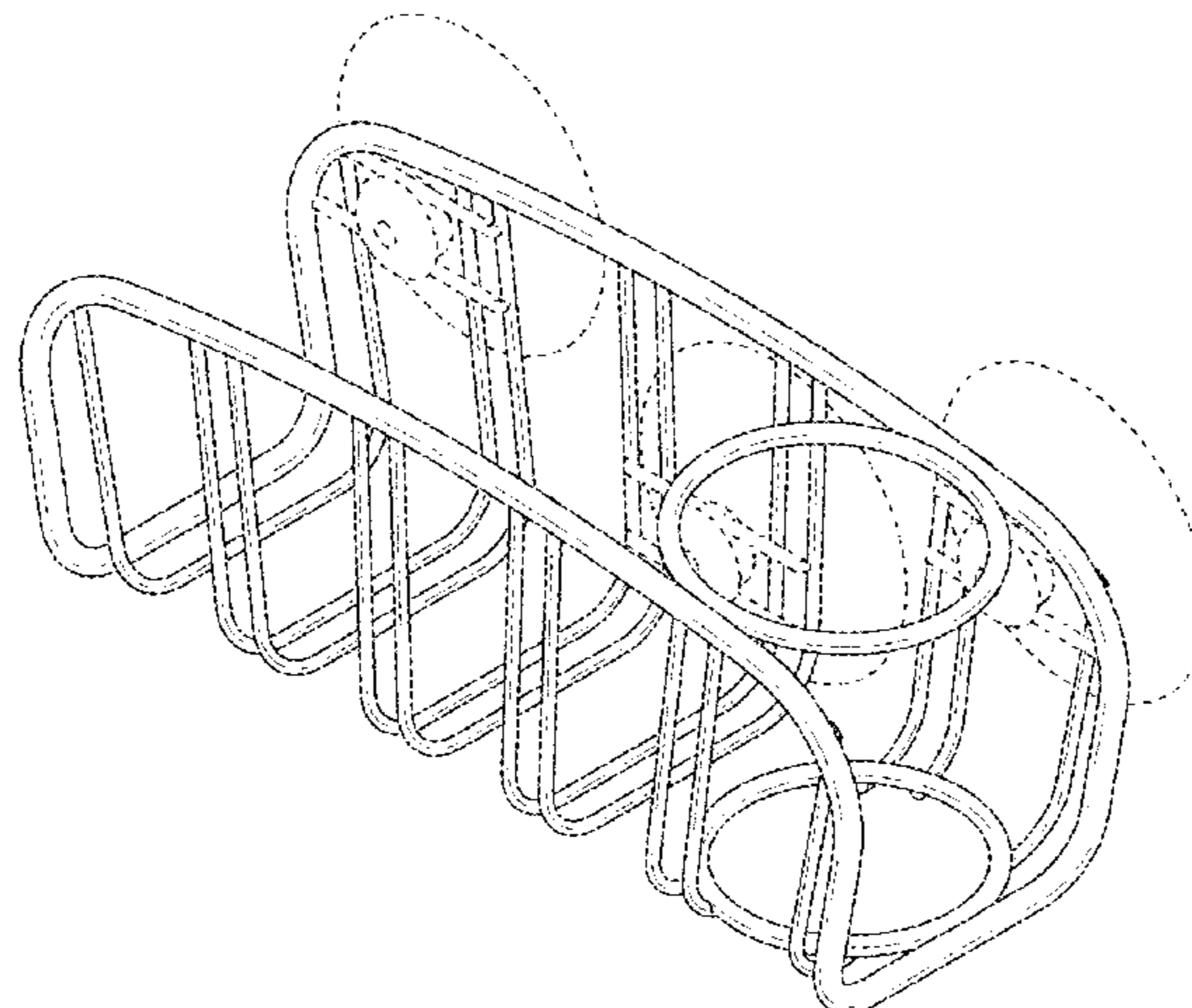
FIG. 1 is a perspective view of a sponge and brush cradle showing our new design;
FIG. 2 is a front elevation view thereof;
FIG. 3 is a rear elevation view thereof;
FIG. 4 is a top plan view thereof;
FIG. 5 is a bottom plan view thereof;
FIG. 6 is a right side elevation view thereof; and,
FIG. 7 is a left side elevation view thereof.
The broken line showing of parts of the drawings is included for the purpose of illustrating portions of the sponge and brush cradle form no part of the claimed design.

1 Claim, 4 Drawing Sheets

(56) **References Cited**

U.S. PATENT DOCUMENTS

D322,002 S *	12/1991	Emery	D6/566
D337,011 S *	7/1993	Duffy, Jr.	D6/513
D389,660 S *	1/1998	Jouett	D6/361
D413,469 S *	9/1999	Hampshire	D6/540
D453,651 S *	2/2002	Snell	D6/537
D578,816 S *	10/2008	Goodman	D6/566



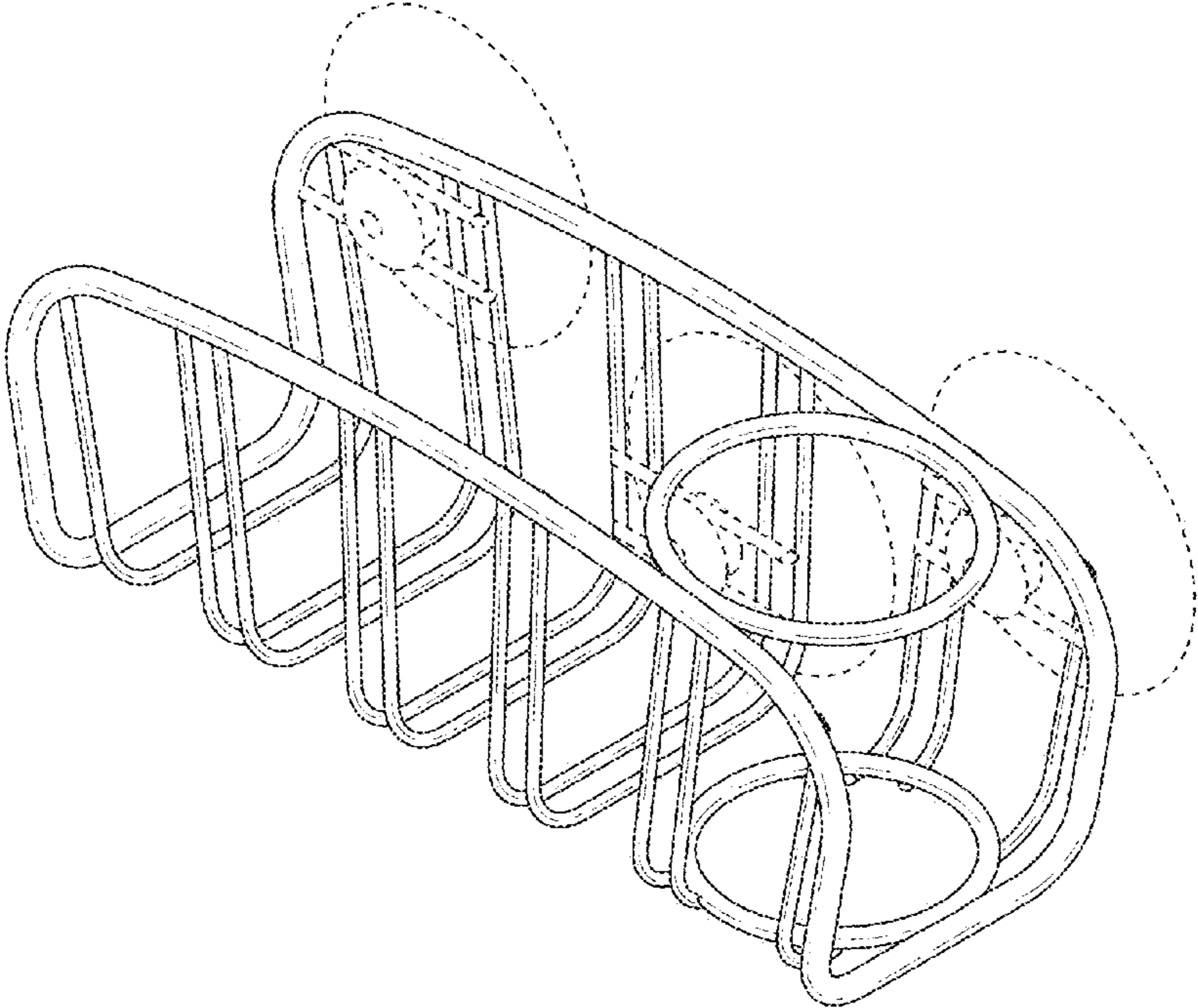


FIG. 1

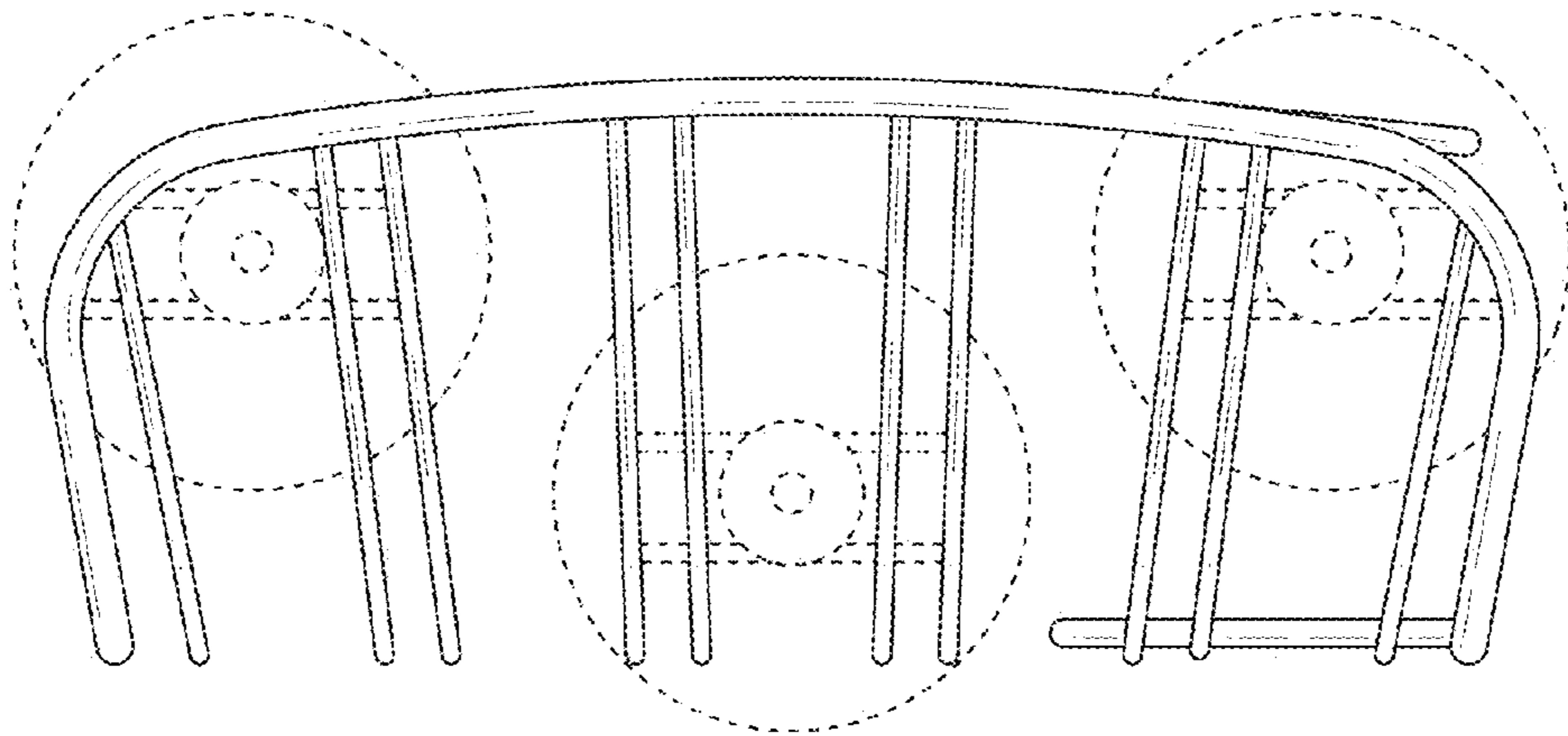


FIG. 2

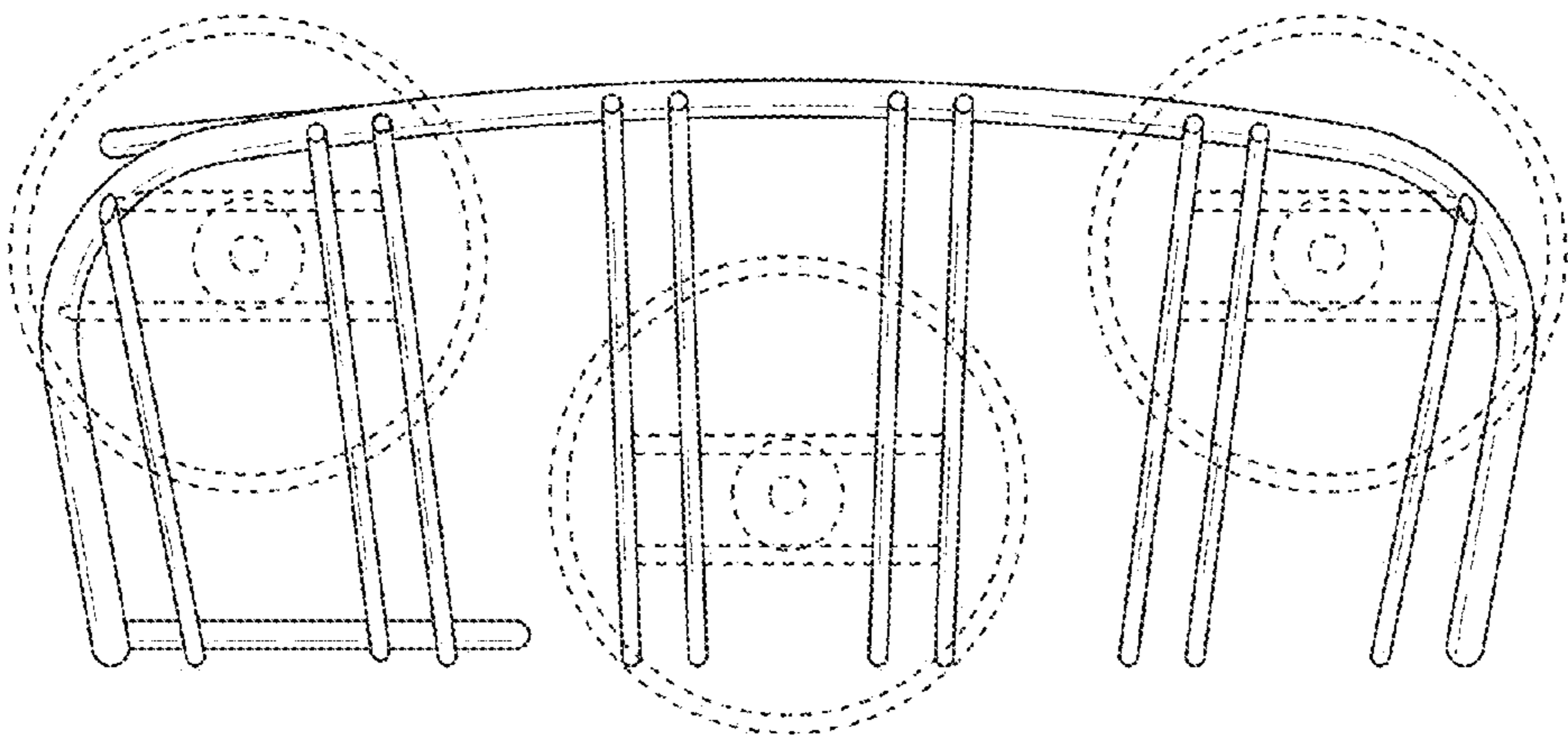


FIG. 3

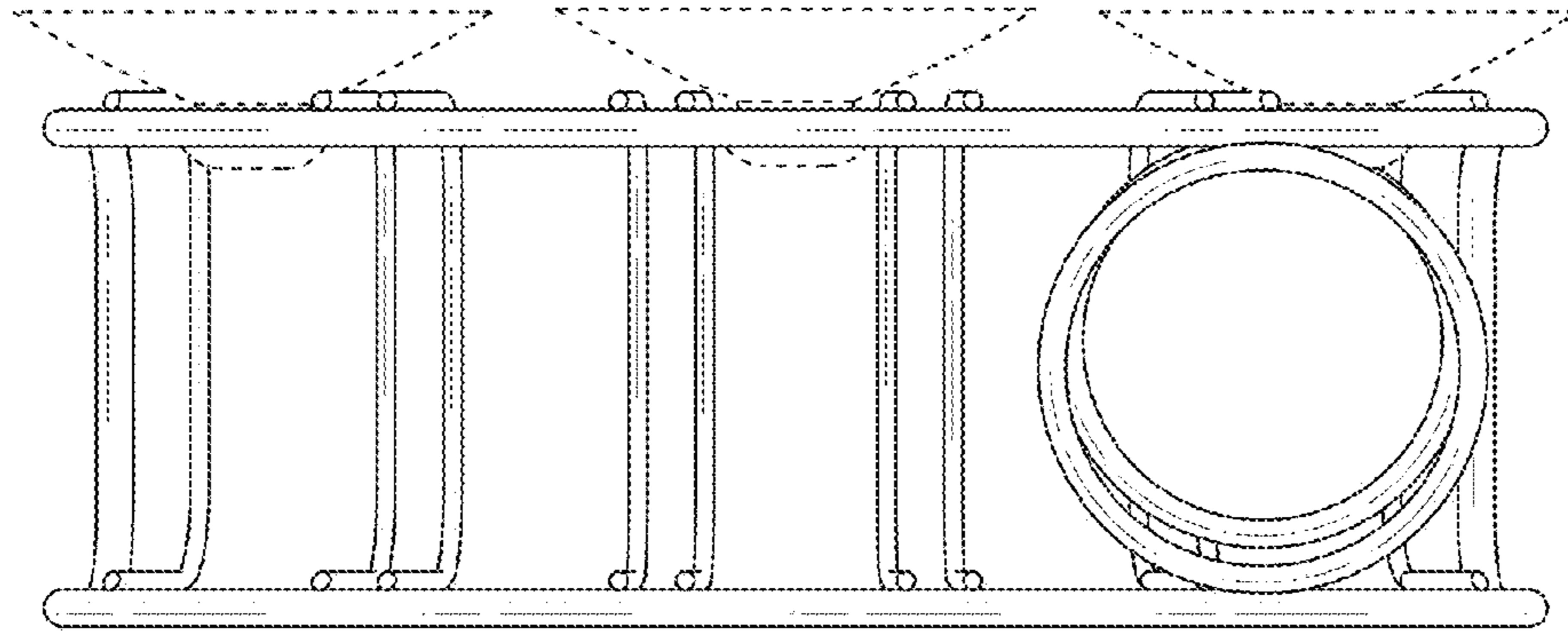


FIG. 4

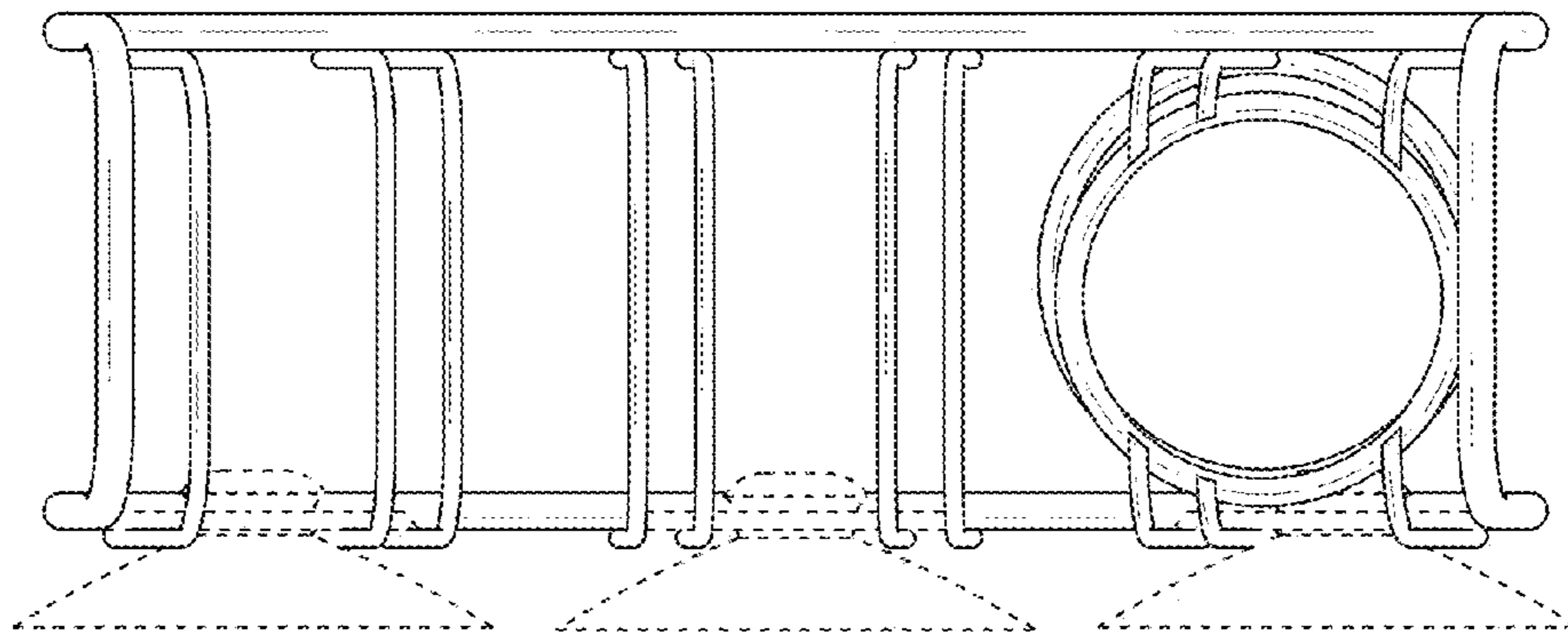


FIG. 5

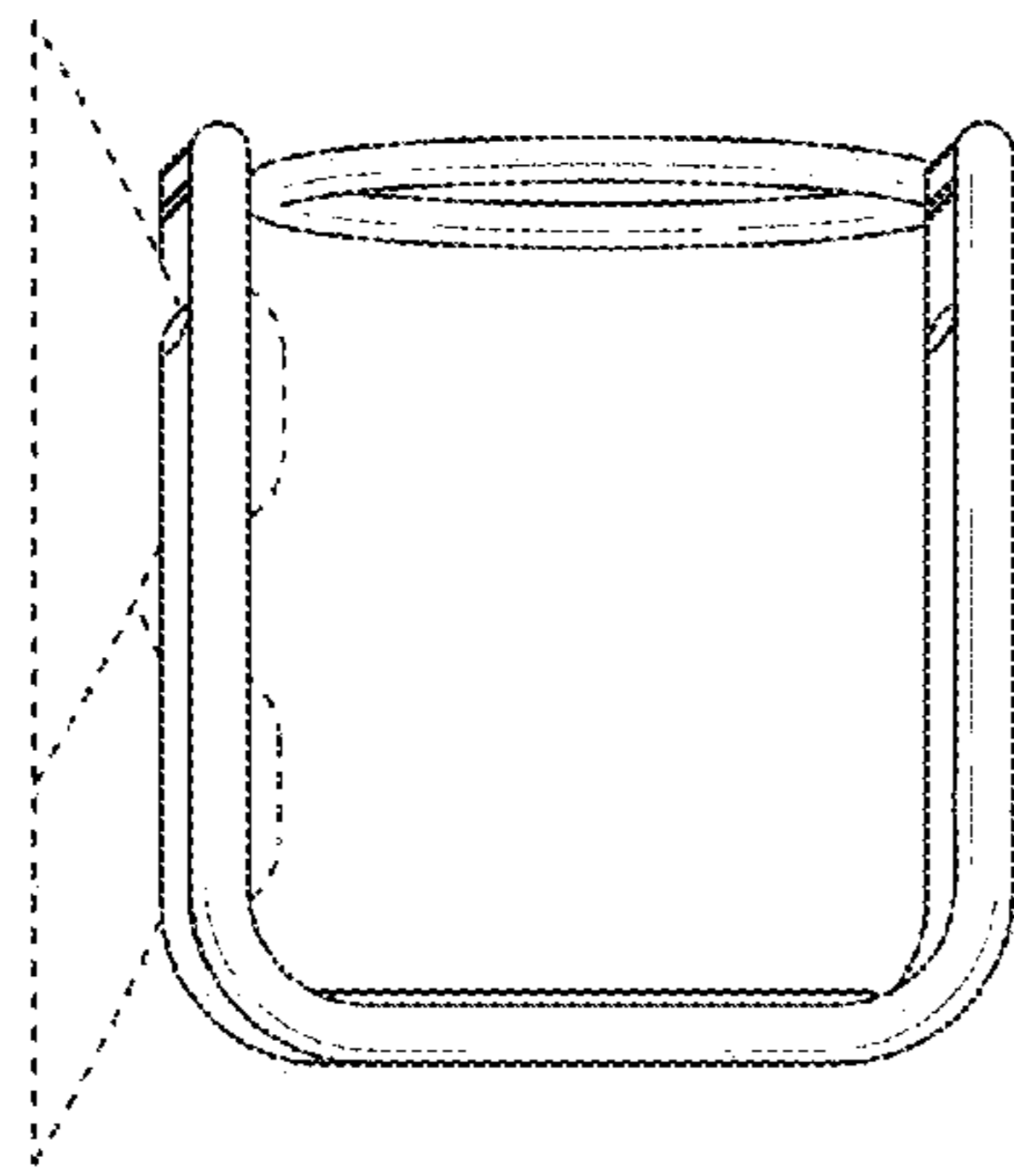


FIG. 6

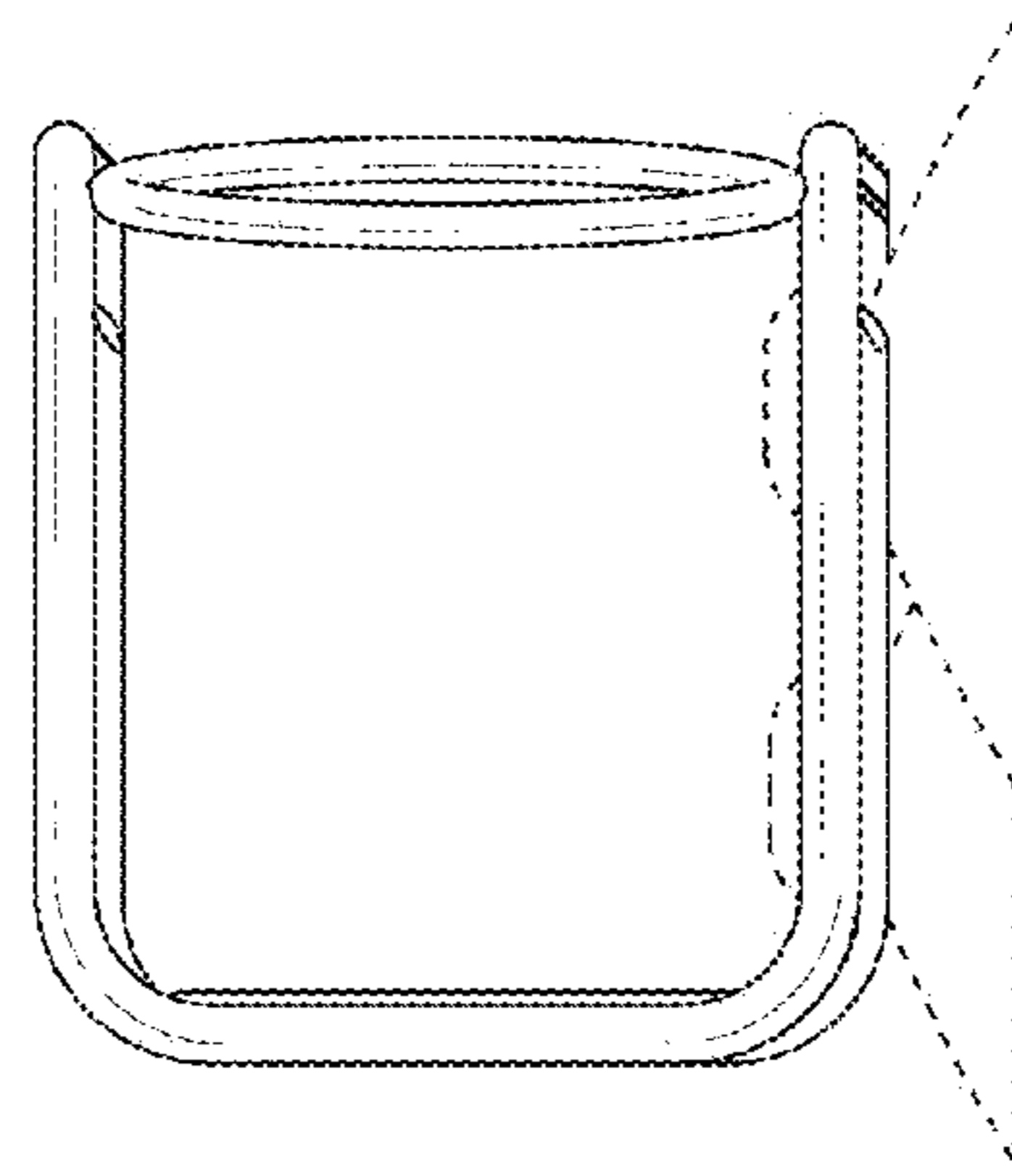


FIG. 7