

US00D762394S

(12) **United States Design Patent**  
**Hardesty**

(10) **Patent No.:** **US D762,394 S**

(45) **Date of Patent:** **\*\* Aug. 2, 2016**

- (54) **FOLDABLE CHAIR**
- (71) Applicant: **Steven H. Hardesty**, Easton, MD (US)
- (72) Inventor: **Steven H. Hardesty**, Easton, MD (US)
- (73) Assignee: **Steven H. Hardesty**, Easton, MD (US)
- (\*\*) Term: **14 Years**
- (21) Appl. No.: **29/522,478**
- (22) Filed: **Mar. 31, 2015**
- (51) **LOC (10) Cl.** ..... **06-01**
- (52) **U.S. Cl.**  
USPC ..... **D6/368**
- (58) **Field of Classification Search**  
USPC ..... D6/334–336, 367, 368, 371, 373, 375,  
D6/379, 380, 716, 716.1, 716.2, 716.3,  
D6/716.4  
CPC ..... A47C 4/00; A47C 4/28; A47C 4/30;  
A47C 4/32; A47C 4/38; A47C 4/40  
See application file for complete search history.

- 2,052,955 A \* 9/1936 Vanderminden ..... A47C 4/40  
297/31
- 2,080,761 A \* 5/1937 Crawford ..... A47C 4/30  
297/452.13
- 2,120,183 A \* 6/1938 Mearkle ..... A47C 4/40  
297/22
- 2,627,899 A \* 2/1953 Grotefend ..... A47C 4/40  
297/452.13
- 2,741,298 A \* 4/1956 Roberts, III ..... A47C 4/40  
297/18
- D221,146 S \* 7/1971 McComas ..... D6/368
- D395,763 S \* 7/1998 Machell ..... D6/368
- D707,050 S \* 6/2014 Colby ..... D6/368

\* cited by examiner

*Primary Examiner* — Mimosa De

(74) *Attorney, Agent, or Firm* — Berenato & White, LLC

(57) **CLAIM**

The ornamental design for a foldable chair, as shown and described.

**DESCRIPTION**

FIG. 1 is a front perspective view of my design;  
 FIG. 2 is a front elevational view;  
 FIG. 3 is a rear elevational view;  
 FIG. 4 is a left side elevational view;  
 FIG. 5 is a right side elevational view;  
 FIG. 6 is a top plan view; and,  
 FIG. 7 is a bottom plan view.

**1 Claim, 7 Drawing Sheets**

(56) **References Cited**

**U.S. PATENT DOCUMENTS**

- 108,973 A \* 11/1870 Comins, Jr. .... A47C 4/40  
297/28
- 1,949,282 A \* 2/1934 Murray ..... A47C 4/38  
297/18
- 1,975,689 A \* 10/1934 Hall ..... A47C 4/40  
297/18

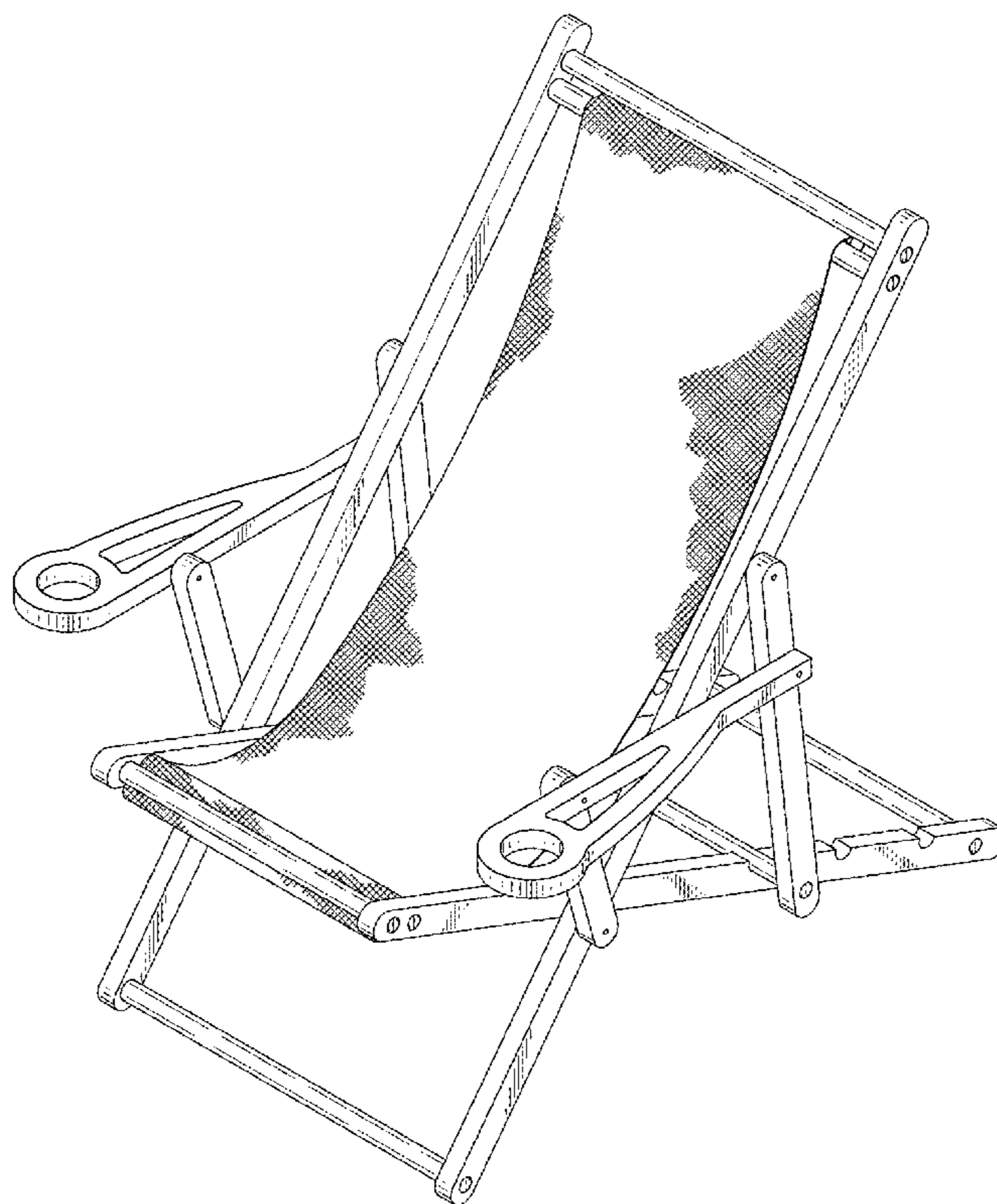


Fig. 1

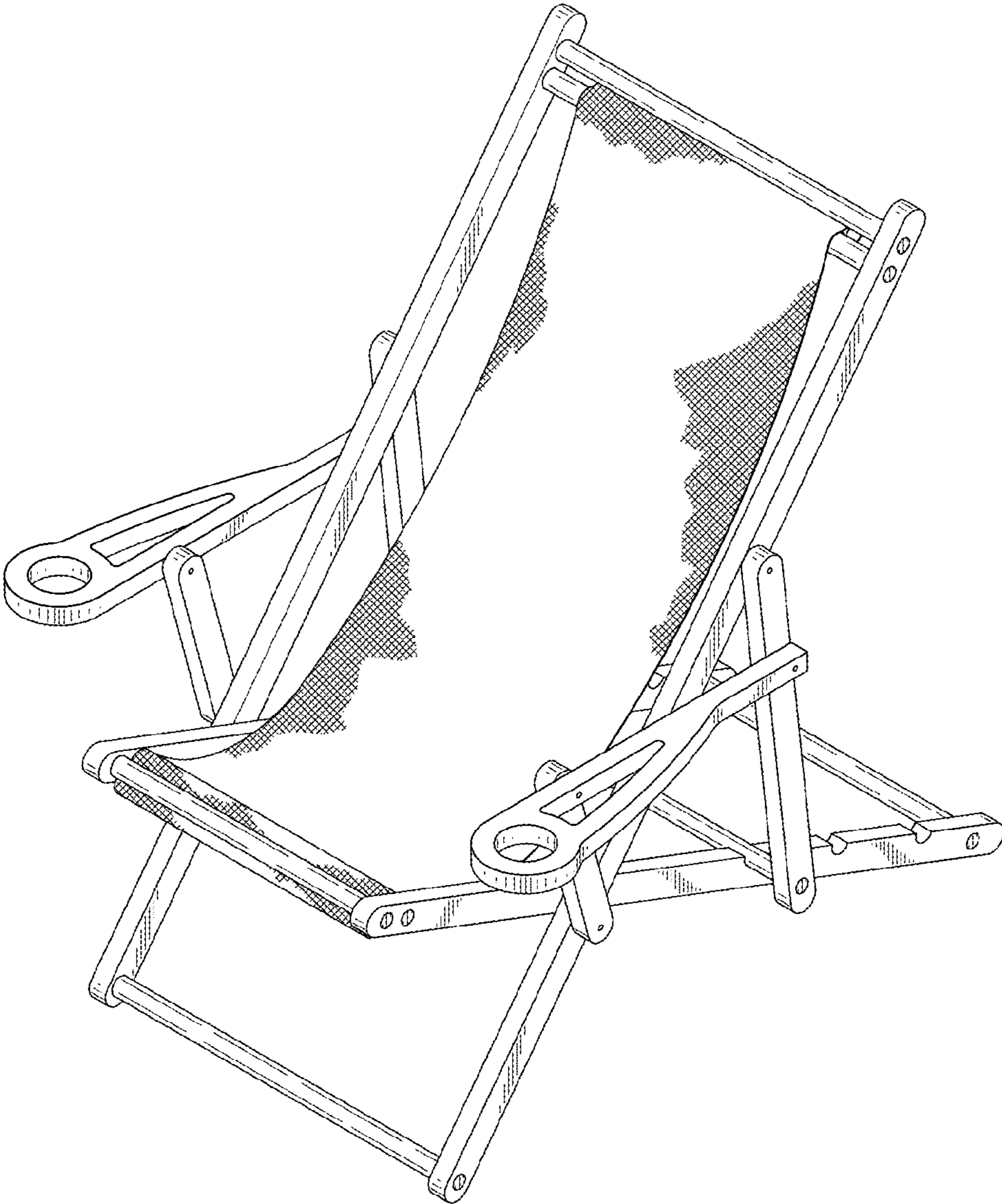


Fig. 2

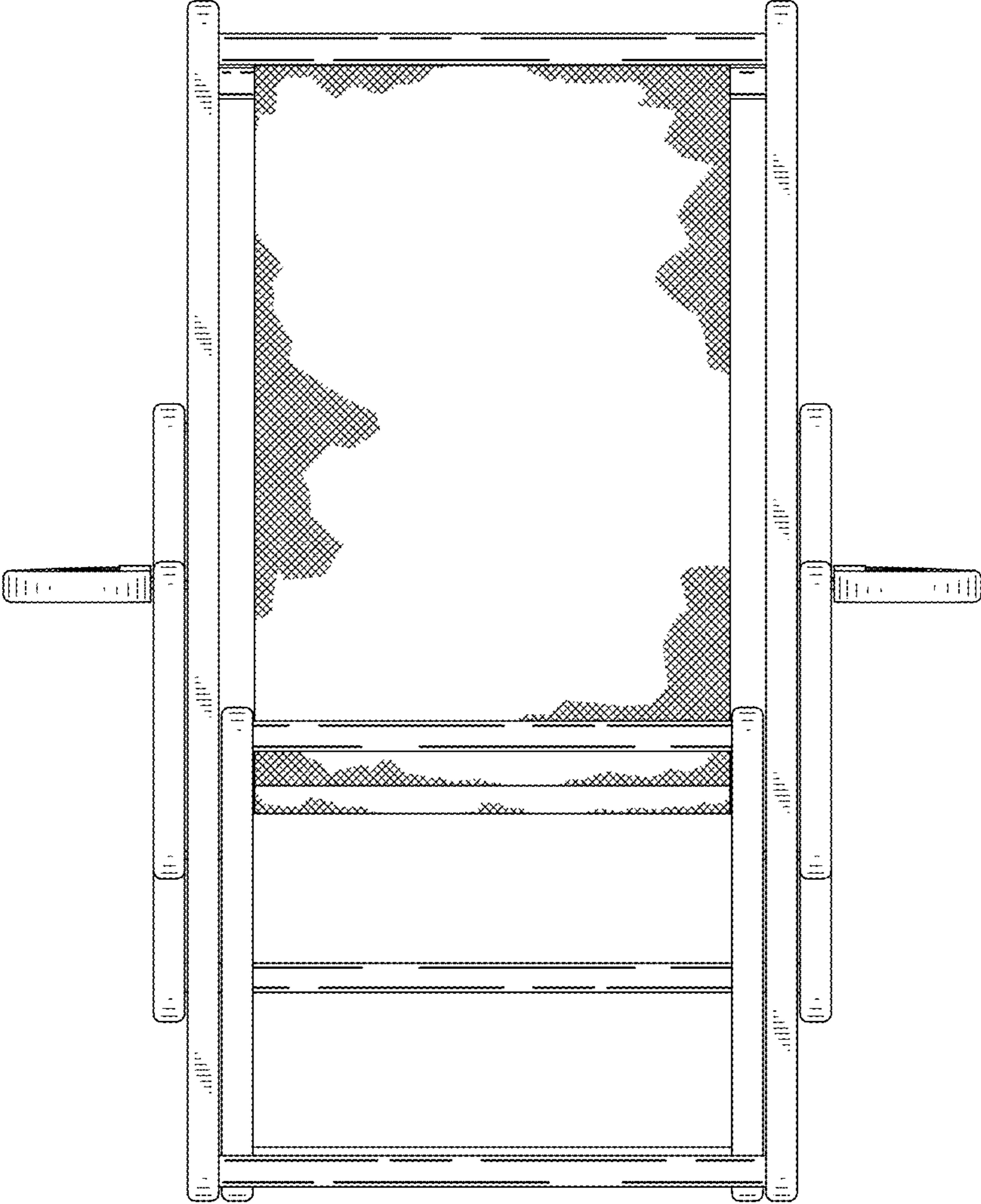


Fig. 3

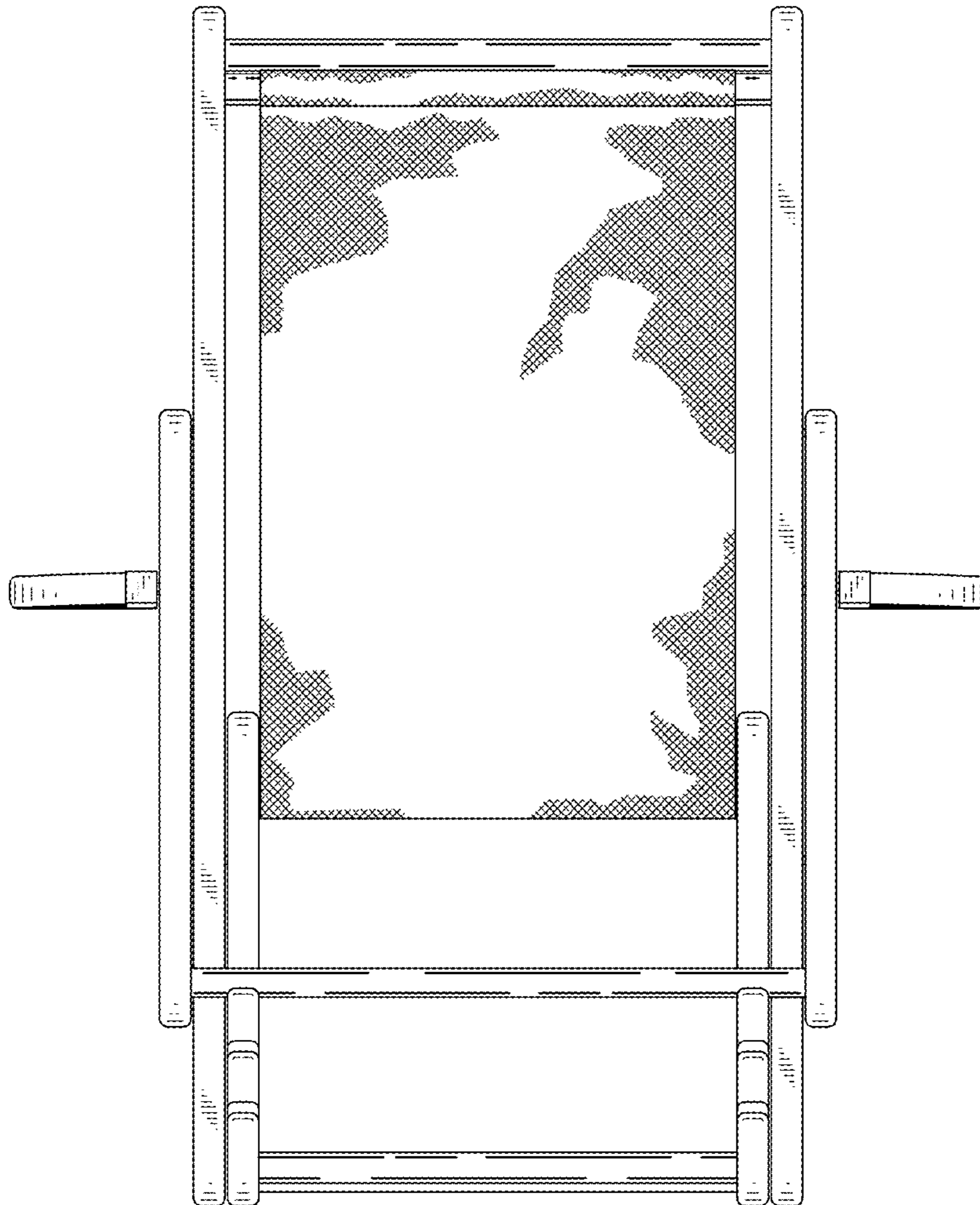


Fig. 4

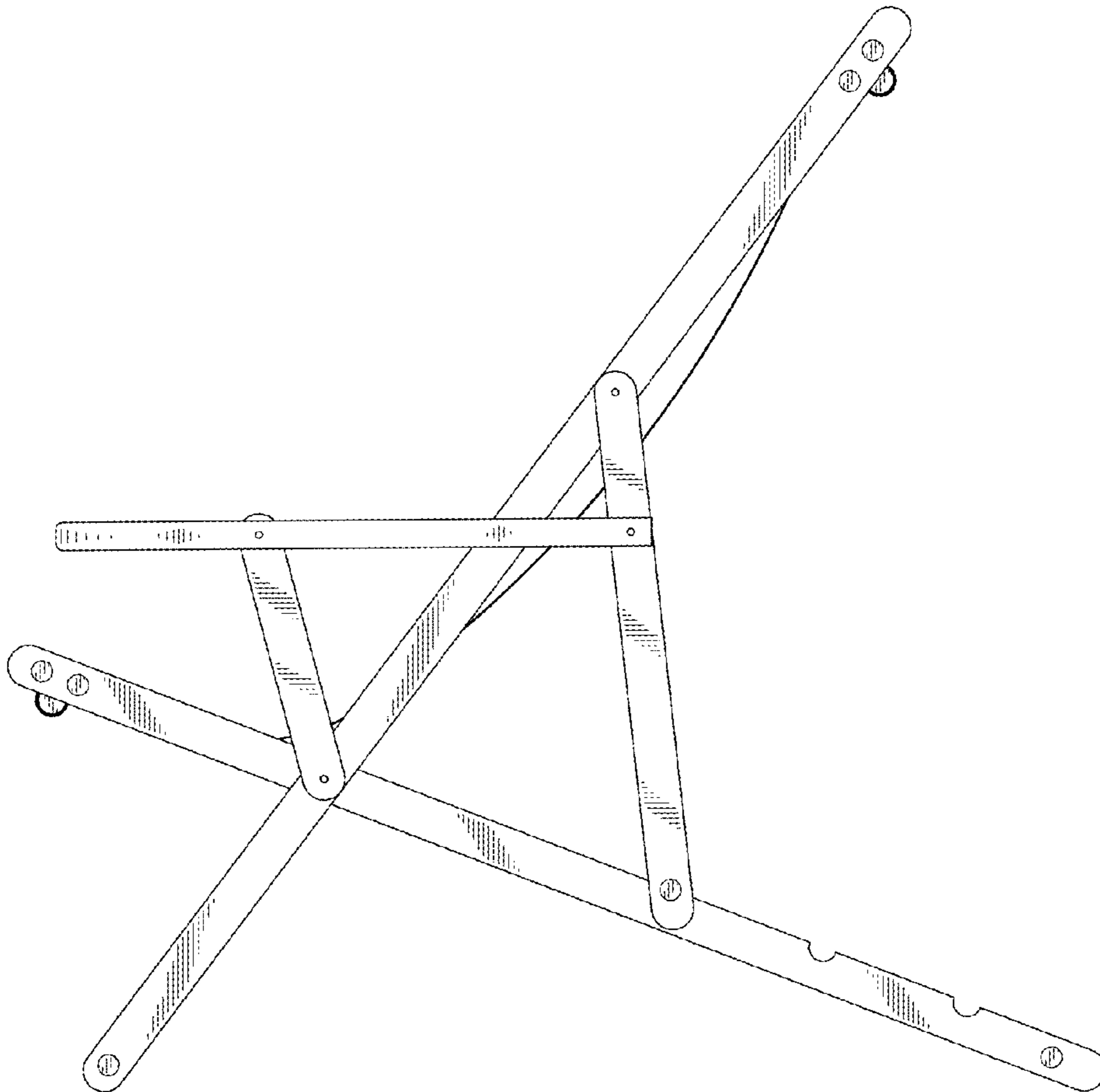


Fig. 5

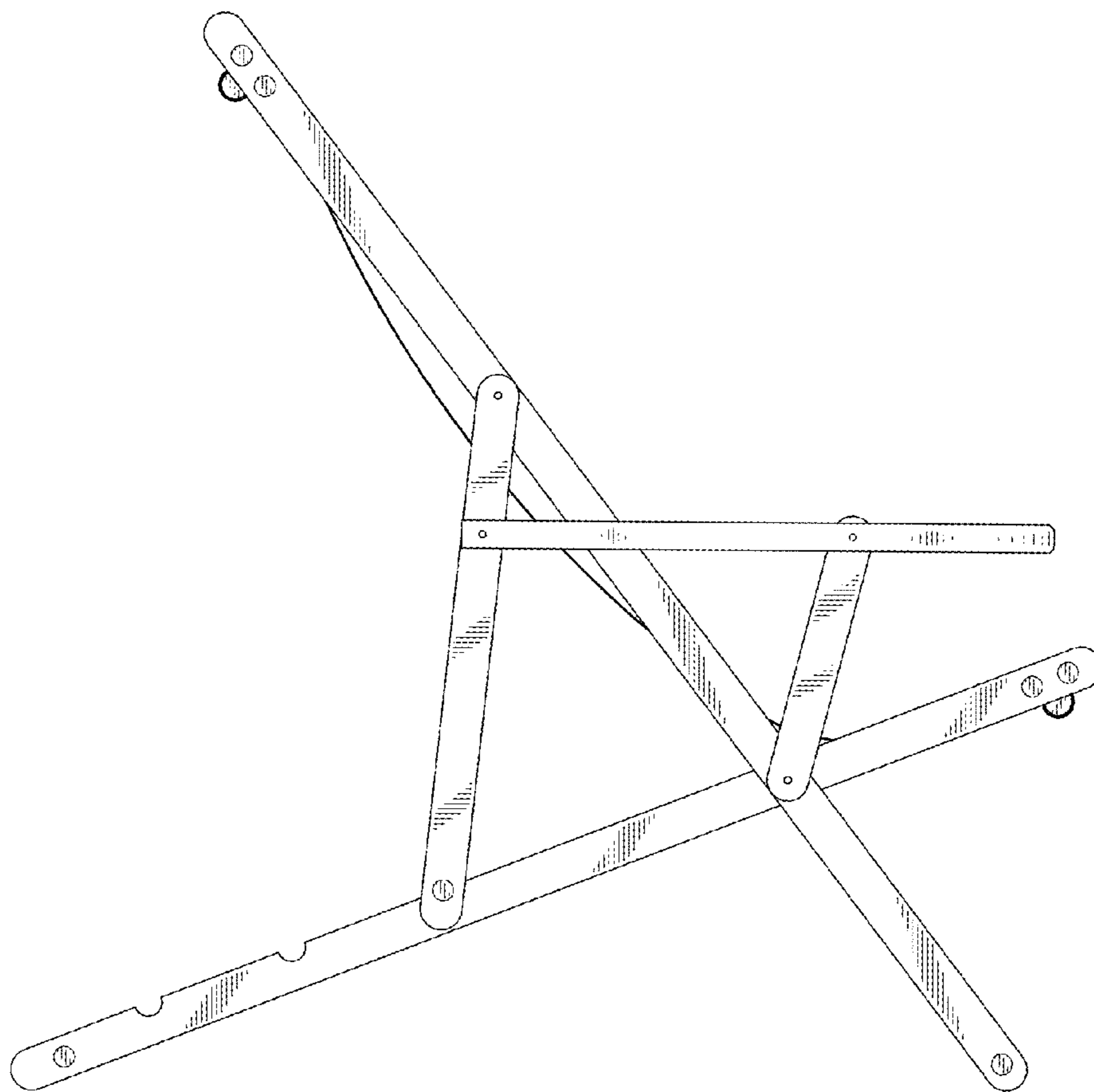


Fig. 6

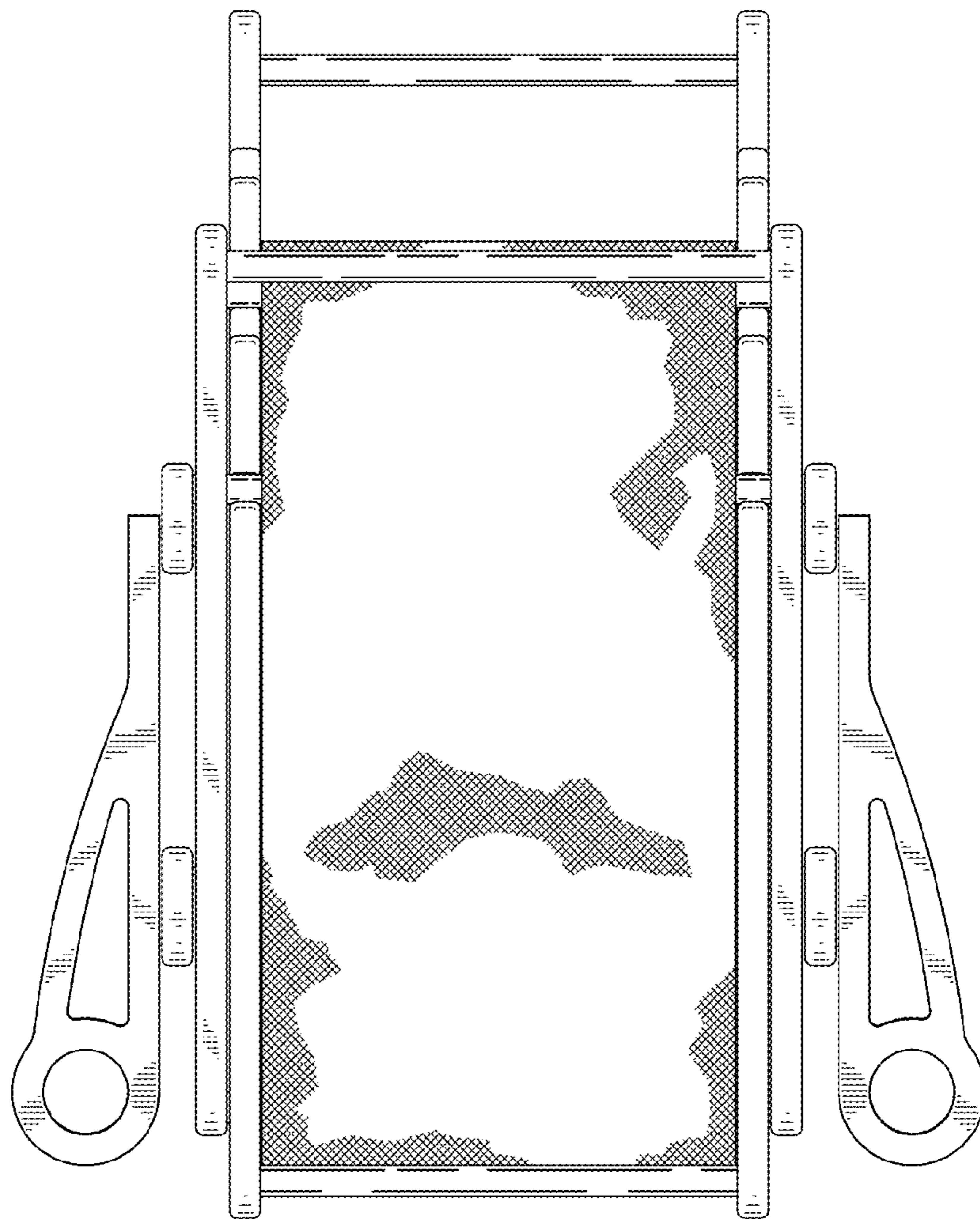


Fig. 7

