

US00D762387S

(12) **United States Design Patent**
Green et al.

(10) **Patent No.:** **US D762,387 S**
(45) **Date of Patent:** **** Aug. 2, 2016**

- (54) **CONTAINER**
- (71) Applicant: **U.S. Merchants Financial Group, Inc.**,
Beverly Hills, CA (US)
- (72) Inventors: **Jeff Green**, Beverly Hills, CA (US);
Jose F. Gomez-Mustafa, Beverly Hills,
CA (US)
- (73) Assignee: **U.S. Merchants Financial Group, Inc.**,
Beverly Hills, CA (US)
- (**) Term: **15 Years**
- (21) Appl. No.: **29/530,134**
- (22) Filed: **Jun. 12, 2015**
- (51) **LOC (10) Cl.** **03-01**
- (52) **U.S. Cl.**
USPC **D3/304**
- (58) **Field of Classification Search**
USPC D3/304, 307-314, 315; D9/432, 741;
D19/75, 77; 206/371-373, 504;
211/10-11, 13.1, 45, 50, 55, 126.9;
D6/512, 515, 569
CPC A45C 13/083; A47F 1/04; B65D 71/0003;
B65D 2543/00222; B65D 2543/00296
See application file for complete search history.

6,293,418	B1 *	9/2001	Ogden	B65D 11/1833 220/6
D448,567	S *	10/2001	Buss	D3/304
D458,753	S *	6/2002	Overholt	D3/304
D486,644	S	2/2004	Claypool		
D503,042	S *	3/2005	Gutierrez	D3/273
D549,454	S *	8/2007	Åhman	D3/304
D577,195	S	9/2008	Stevens et al.		
D600,018	S *	9/2009	Cope	D3/305
D627,562	S *	11/2010	Osiecki	D3/304
D663,121	S *	7/2012	Barth	D3/304
D666,829	S *	9/2012	Liao	D3/304
D672,961	S *	12/2012	Turner	D3/304
D684,733	S *	6/2013	Altoon	D30/161
D701,698	S *	4/2014	Orgeldinger	D3/304
D734,610	S *	7/2015	Christie	D3/304
D743,171	S *	11/2015	Reinhart	D3/279
9,272,814	B2 *	3/2016	Carver	B65D 21/0217
2009/0134176	A1 *	5/2009	Yamauchi	B65D 11/1833 220/666
2009/0194530	A1 *	8/2009	Ringler	B29C 45/0053 220/6

* cited by examiner

Primary Examiner — Kelley Donnelly

(74) *Attorney, Agent, or Firm* — Lewis Roca Rothgerber
Christie LLP

(57) **CLAIM**

The ornamental design for a container, as shown and
described.

DESCRIPTION

FIG. 1 is perspective view of a container showing my new
design;
FIG. 2 is a top view thereof;
FIG. 3 is a bottom view thereof;
FIG. 4 is a front view thereof;
FIG. 5 is a rear view thereof;
FIG. 6 is a left side view thereof; and,
FIG. 7 is a right side view thereof.

1 Claim, 7 Drawing Sheets

(56) **References Cited**

U.S. PATENT DOCUMENTS

D201,843	S *	8/1965	Johnson	D3/307
D251,480	S	4/1979	Cherry		
D258,721	S *	3/1981	Steeg	D3/307
D292,634	S *	11/1987	Chabot	D3/307
D381,205	S *	7/1997	Conti	D3/312
D387,558	S *	12/1997	Mann	D3/307
D395,756	S	7/1998	Tanji		
D424,299	S *	5/2000	Varfeldt	D3/304

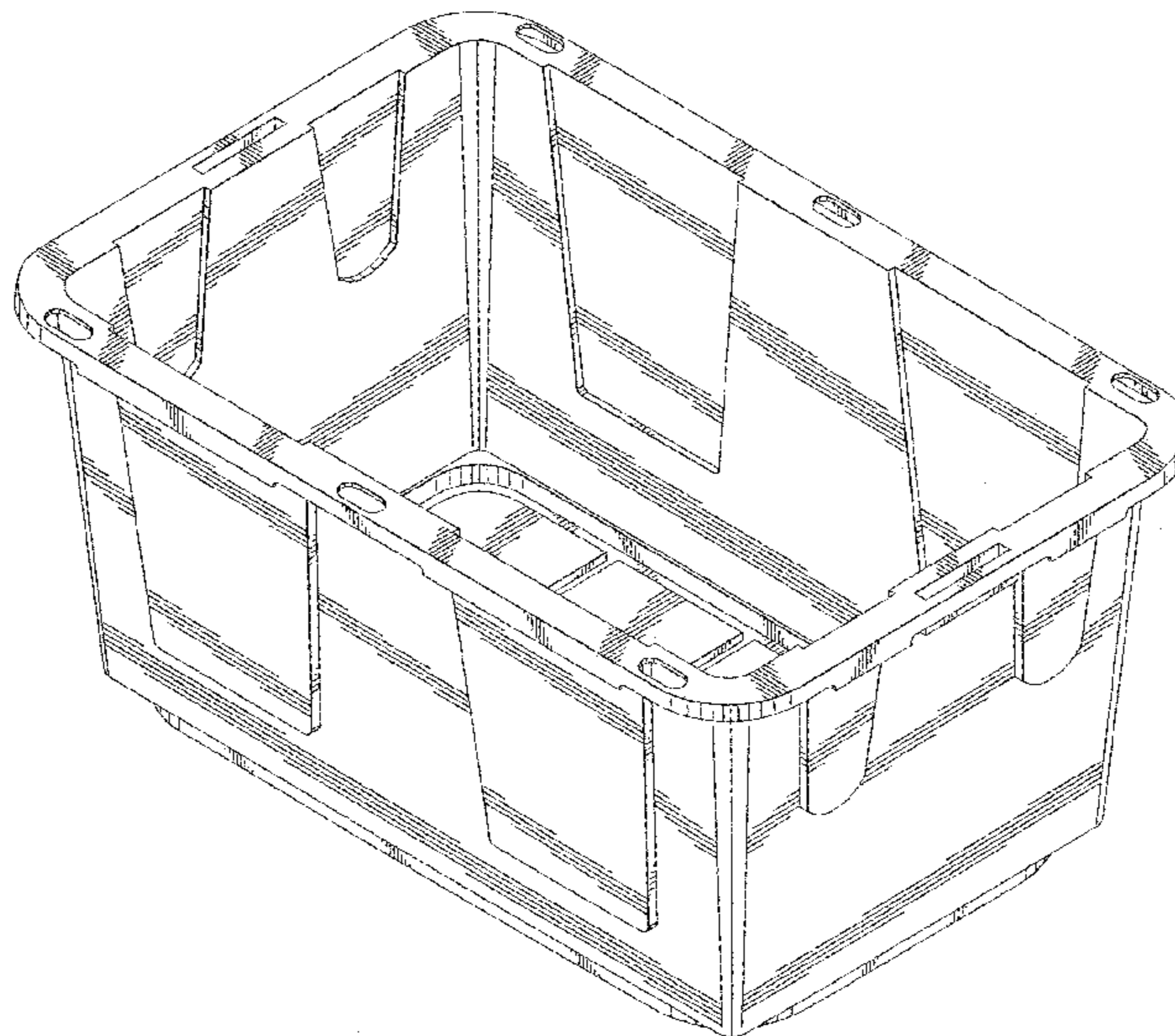


FIG. 1

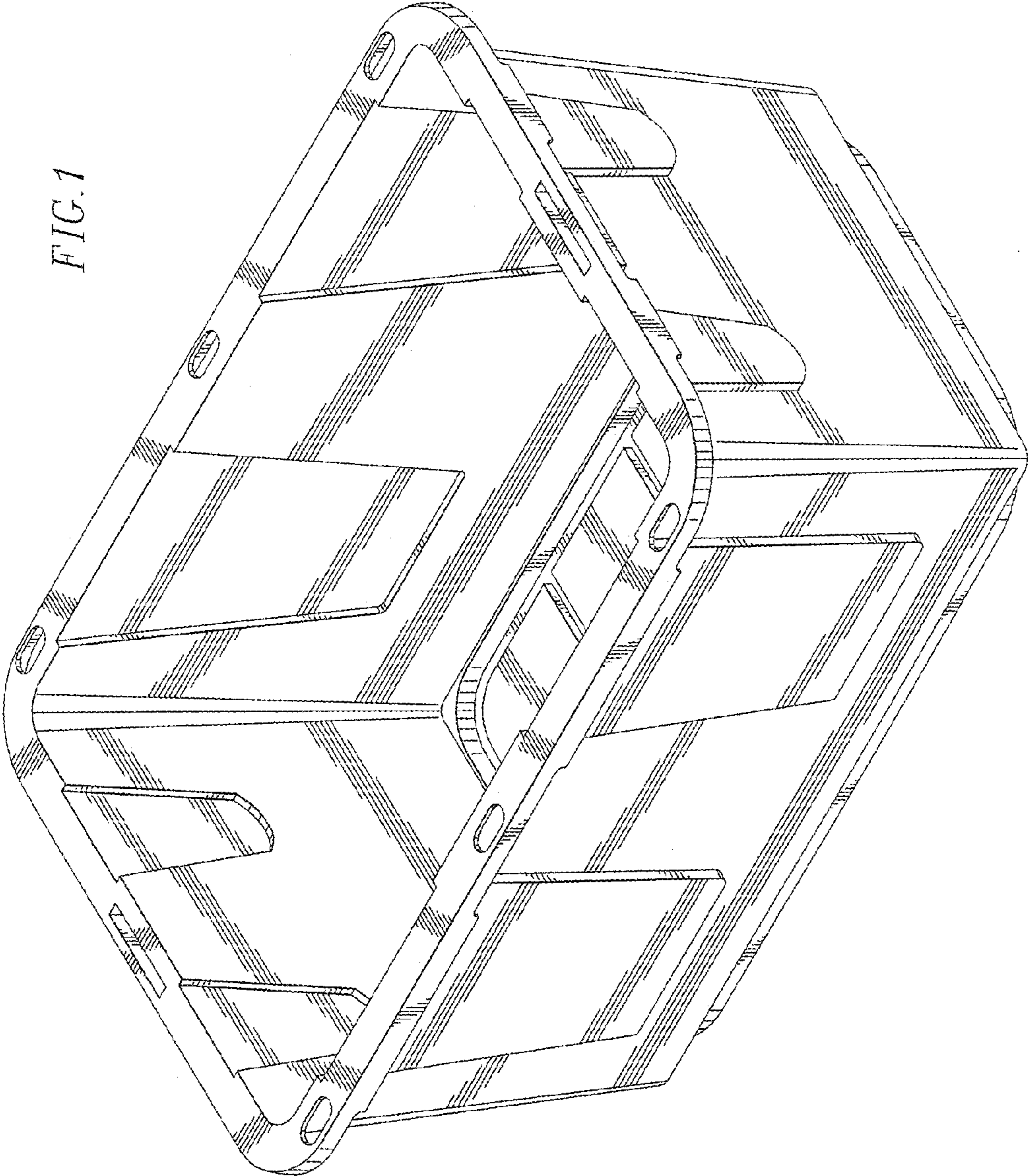


FIG. 2

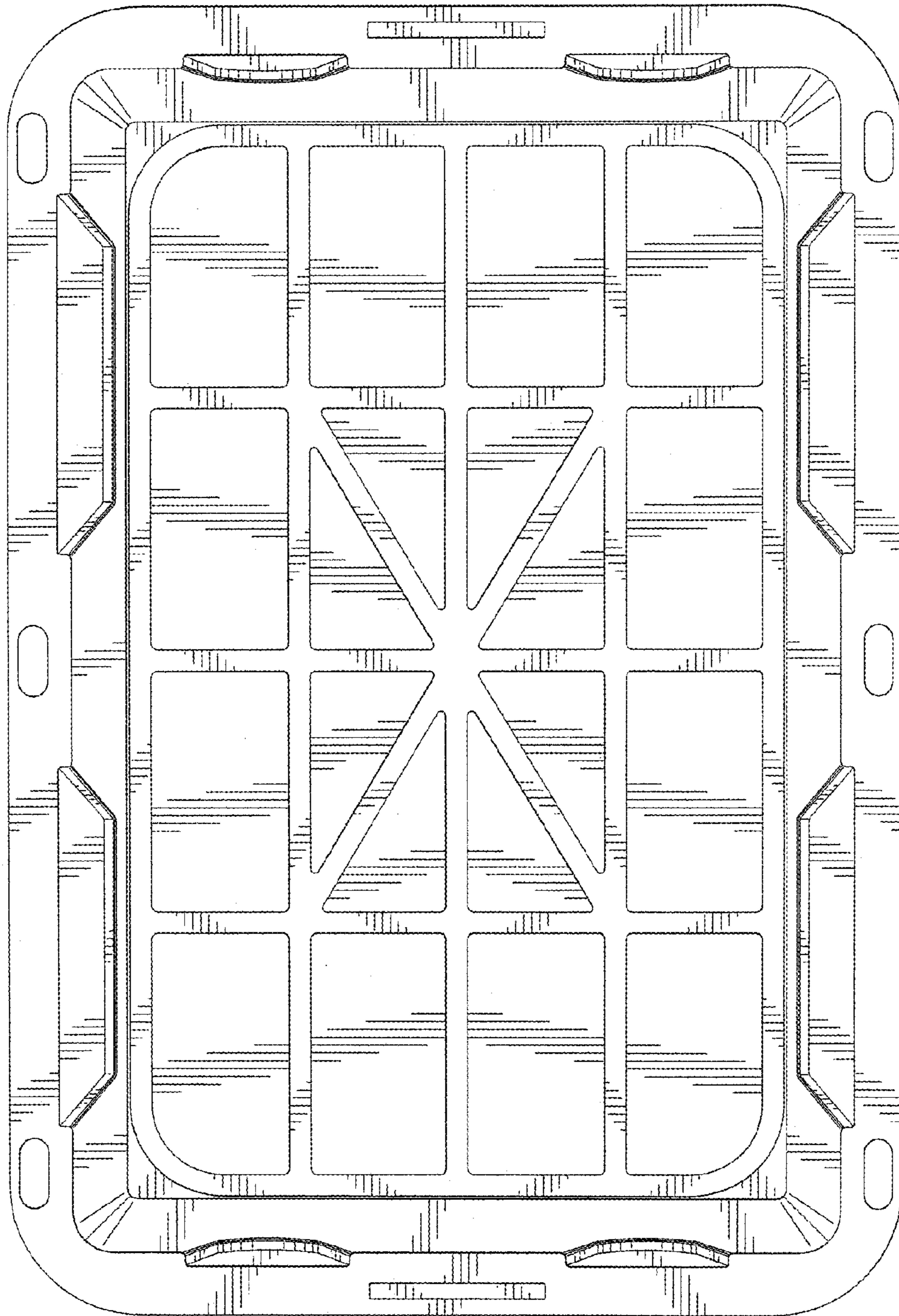


FIG. 3

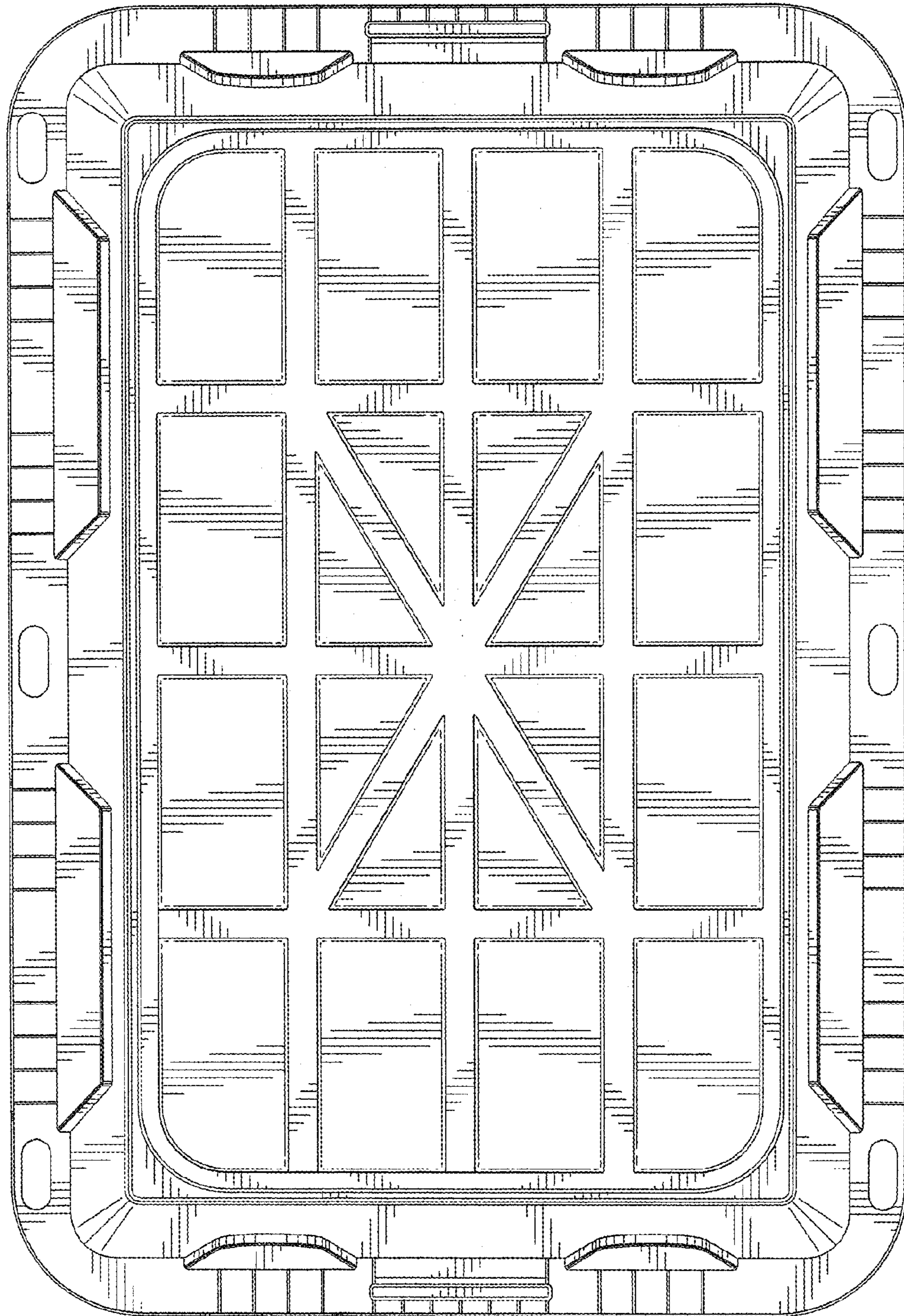


FIG. 4

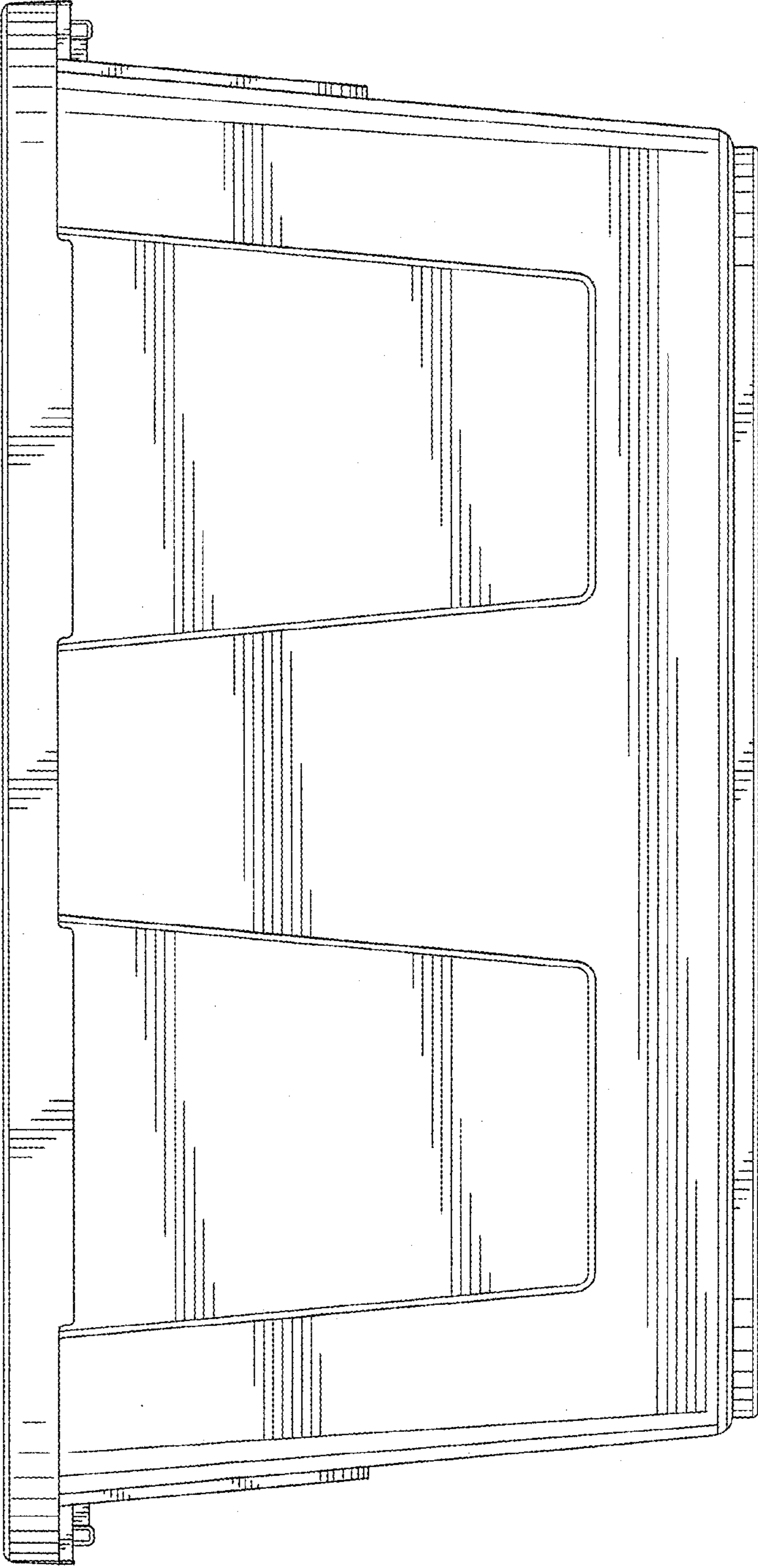


FIG. 5

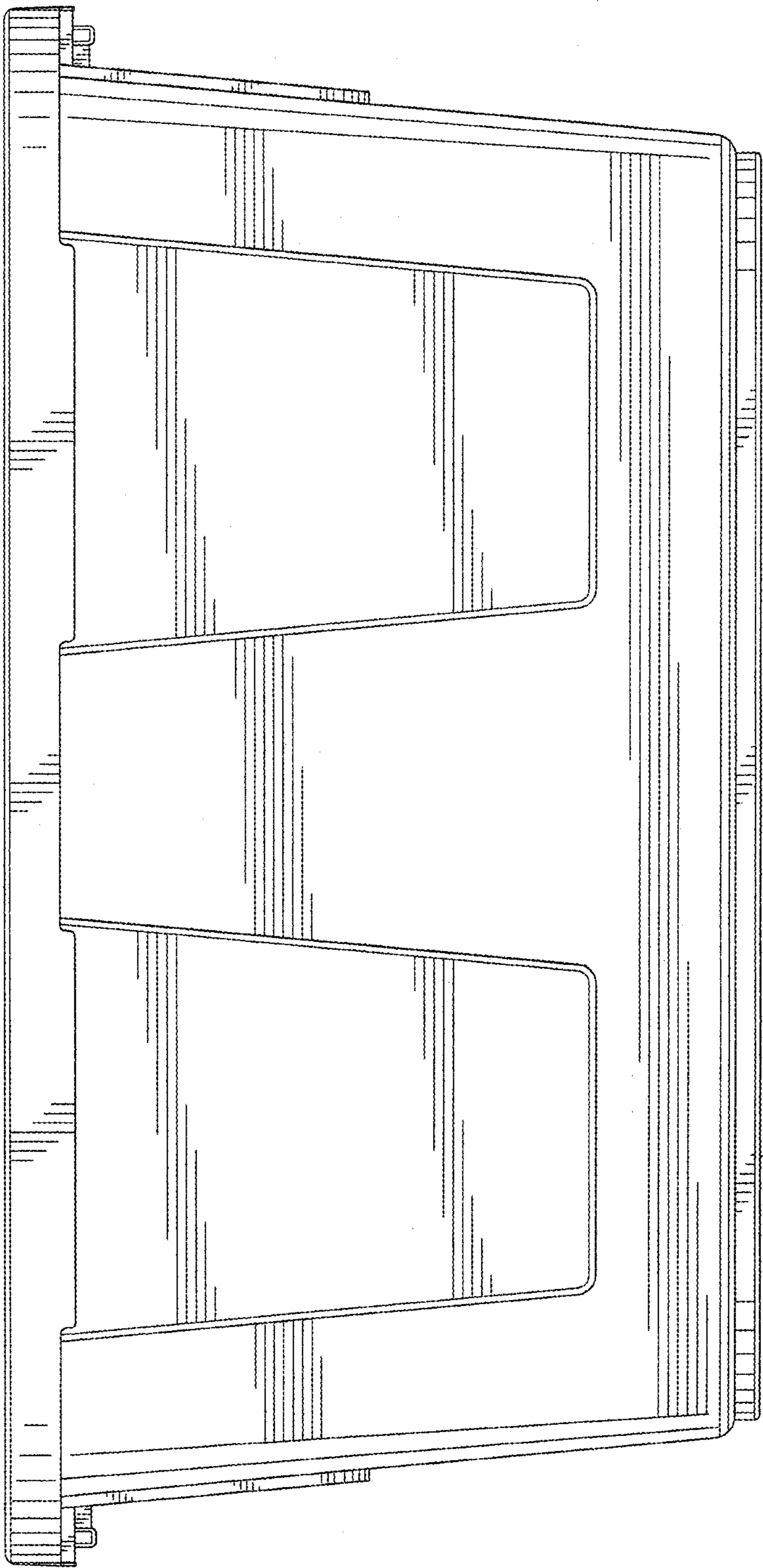
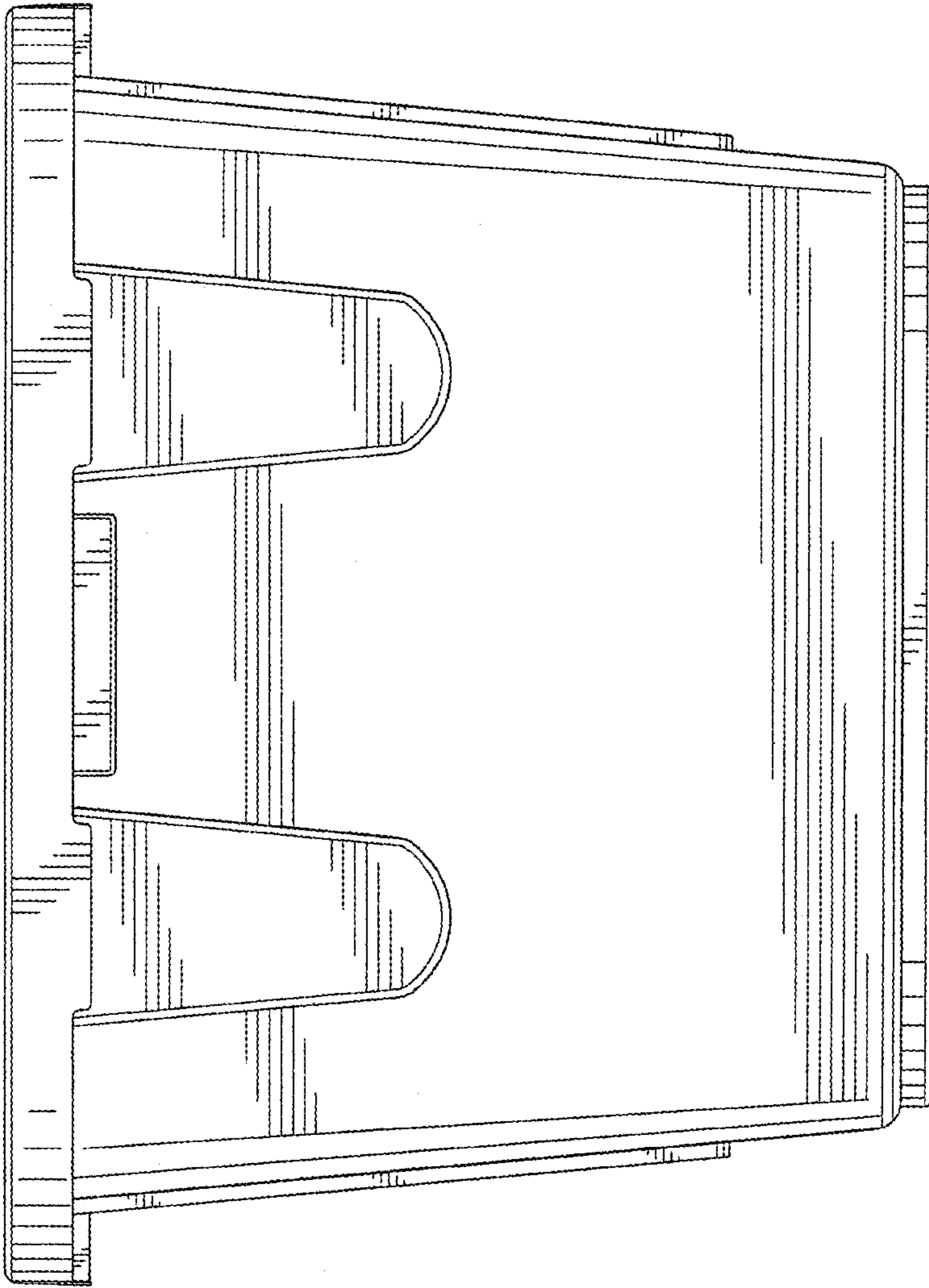


FIG. 6



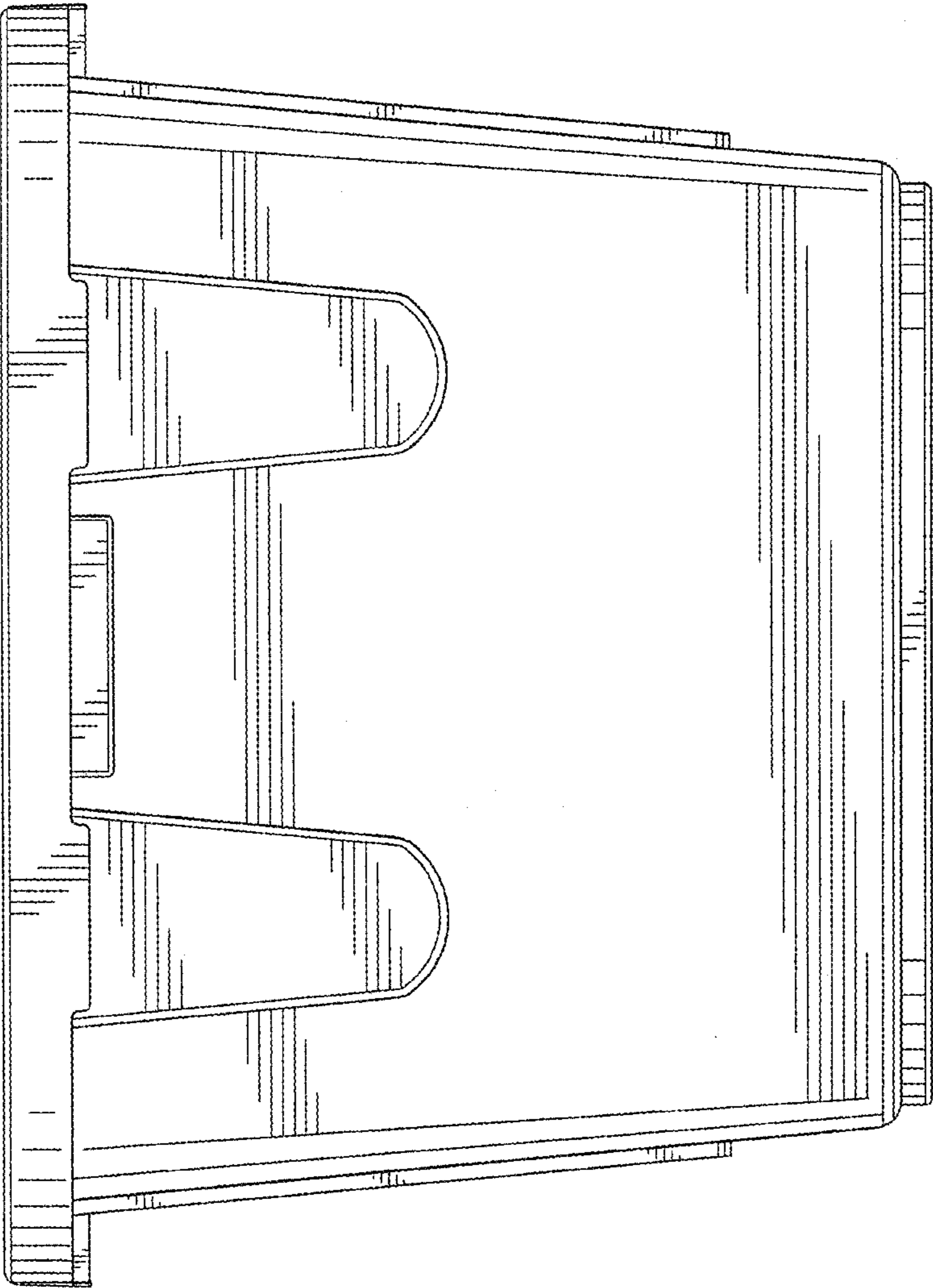


FIG. 7