

US00D762384S

(12) **United States Design Patent**  
**Boroski**

(10) **Patent No.:** **US D762,384 S**  
(45) **Date of Patent:** **\*\* Aug. 2, 2016**

(54) **STORAGE BAG**  
(71) Applicant: **Dwayne Boroski**, Lake in the Hills, IL (US)  
(72) Inventor: **Dwayne Boroski**, Lake in the Hills, IL (US)  
(73) Assignee: **THERMOS L.L.C.**, Schaumburg, IL (US)

D371,942 S 7/1996 Lippincott  
D376,044 S 12/1996 Trawick  
D389,305 S 1/1998 Hauschild  
D393,392 S 4/1998 Hartenstine  
D398,191 S \* 9/1998 Melk ..... D7/607  
5,871,280 A 2/1999 Watters  
6,015,072 A \* 1/2000 Young ..... A47C 7/0063  
190/103  
D423,779 S \* 5/2000 Goatcher ..... D3/283  
6,105,844 A 8/2000 Walters

(Continued)

(\*\*) Term: **14 Years**

**FOREIGN PATENT DOCUMENTS**

(21) Appl. No.: **29/516,328**

AU 155311 S 5/2004  
AU 338281 S 8/2011

(22) Filed: **Jan. 30, 2015**

(Continued)

(51) **LOC (10) Cl.** ..... **03-01**

(52) **U.S. Cl.**  
USPC ..... **D3/283**

**OTHER PUBLICATIONS**

(58) **Field of Classification Search**  
USPC ..... D7/607, 709; D3/232–233, 240–243,  
D3/245, 246, 289, 301, 318, 287, 283,  
D3/276; 383/110, 41, 6; 206/545;  
220/592.01, 592.2; 62/457.7  
CPC ..... A45C 1/024; A45C 3/06; A45C 11/20;  
A45C 5/06; F25D 3/08; F25D 2331/801  
See application file for complete search history.

Design U.S. Appl. No. 29/516,318, filed Jan. 30, 2015 (20 pages).

(Continued)

*Primary Examiner* — Derrick Holland  
*Assistant Examiner* — Jennifer O King  
(74) *Attorney, Agent, or Firm* — Polsinelli PC

(56) **References Cited**

(57) **CLAIM**  
The ornamental design for a storage bag, as shown and described.

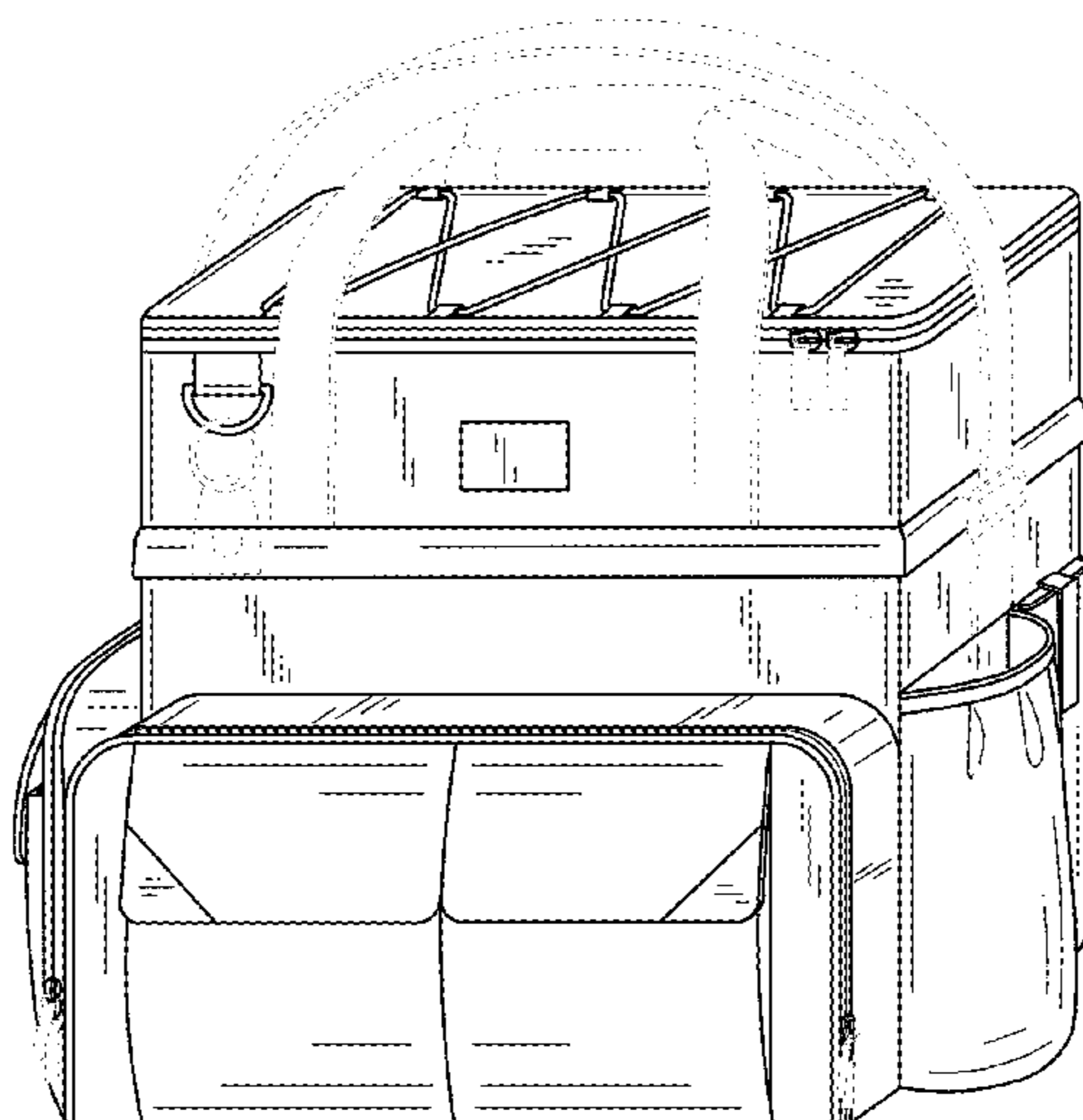
**U.S. PATENT DOCUMENTS**

**DESCRIPTION**

D270,873 S 10/1983 Katz  
D272,965 S 3/1984 Simon  
D280,260 S \* 8/1985 Leiserson ..... D3/267  
4,541,539 A 9/1985 Matthews  
D284,333 S 6/1986 Huston  
D291,149 S 8/1987 Smith  
4,921,151 A 5/1990 Duvall  
D312,530 S \* 12/1990 Gallen ..... D3/268  
4,984,662 A \* 1/1991 Jacober ..... A47C 7/0077  
190/107  
D336,218 S 6/1993 Hague  
D370,123 S \* 5/1996 Klinger ..... D3/231  
5,526,907 A \* 6/1996 Trawick ..... A45C 3/10  
190/111

FIG. 1 is a perspective view of a storage bag;  
FIG. 2 is a front view thereof;  
FIG. 3 is a rear view thereof;  
FIG. 4 is a right side view thereof;  
FIG. 5 is a left side view thereof;  
FIG. 6 is a top view thereof; and,  
FIG. 7 is a bottom view thereof.  
The broken lines shown represent unclaimed subject matter and form no part of the claimed design.

**1 Claim, 7 Drawing Sheets**



(56)

**References Cited**

U.S. PATENT DOCUMENTS

D443,417 S 6/2001 Hillman  
 D447,667 S 9/2001 Schneider et al.  
 6,336,577 B1\* 1/2002 Harris ..... A45C 3/001  
 224/153  
 D465,134 S 11/2002 Joss  
 6,474,097 B2 11/2002 Treppedi et al.  
 D468,533 S 1/2003 MacRae et al.  
 D471,012 S 3/2003 Peterson  
 D472,380 S 4/2003 Hillman  
 D478,782 S 8/2003 Li  
 D485,732 S 1/2004 Lanman et al.  
 6,821,019 B2 11/2004 Mogil  
 D501,603 S 2/2005 Shamas  
 D526,484 S \* 8/2006 Flint ..... D3/283  
 D542,031 S 5/2007 Zapata  
 D560,450 S \* 1/2008 Tagliati ..... D3/287  
 7,313,927 B2\* 1/2008 Barker ..... F25D 3/08  
 62/457.2  
 D572,980 S \* 7/2008 Griffard ..... D7/606  
 D573,422 S 7/2008 Tagliati et al.  
 D574,667 S 8/2008 Grabijas, III et al.  
 D575,059 S 8/2008 Cappiello et al.  
 D602,688 S 10/2009 Smith  
 D608,096 S 1/2010 Noble

D608,159 S 1/2010 Whitlock et al.  
 D619,854 S \* 7/2010 Koehler ..... D7/607  
 D647,301 S 10/2011 Sosnovsky  
 D648,533 S 11/2011 Sosnovsky  
 8,096,442 B2\* 1/2012 Ramundi ..... A45C 7/0077  
 190/107  
 8,348,510 B2 1/2013 Mogil  
 D692,661 S 11/2013 Gupton, Jr.  
 D715,046 S \* 10/2014 Stewart ..... D3/232  
 8,857,654 B2 10/2014 Mogil et al.

FOREIGN PATENT DOCUMENTS

AU 355476 S 5/2014  
 CA 101590 5/2005  
 CA 135166 4/2011  
 CA 142370 5/2012

OTHER PUBLICATIONS

Design U.S. Appl. No. 29/516,322, filed Jan. 30, 2015 (20 pages).  
 Design U.S. Appl. No. 29/516,325, filed Jan. 30, 2015 (20 pages).  
 U.S. Appl. No. 29/516,322 Notice of Allowance issued May 24, 2016  
 (16 pages).  
 U.S. Appl. No. 29/516,325 Notice of Allowance mailed May 18,  
 2016 (13 pages).

\* cited by examiner

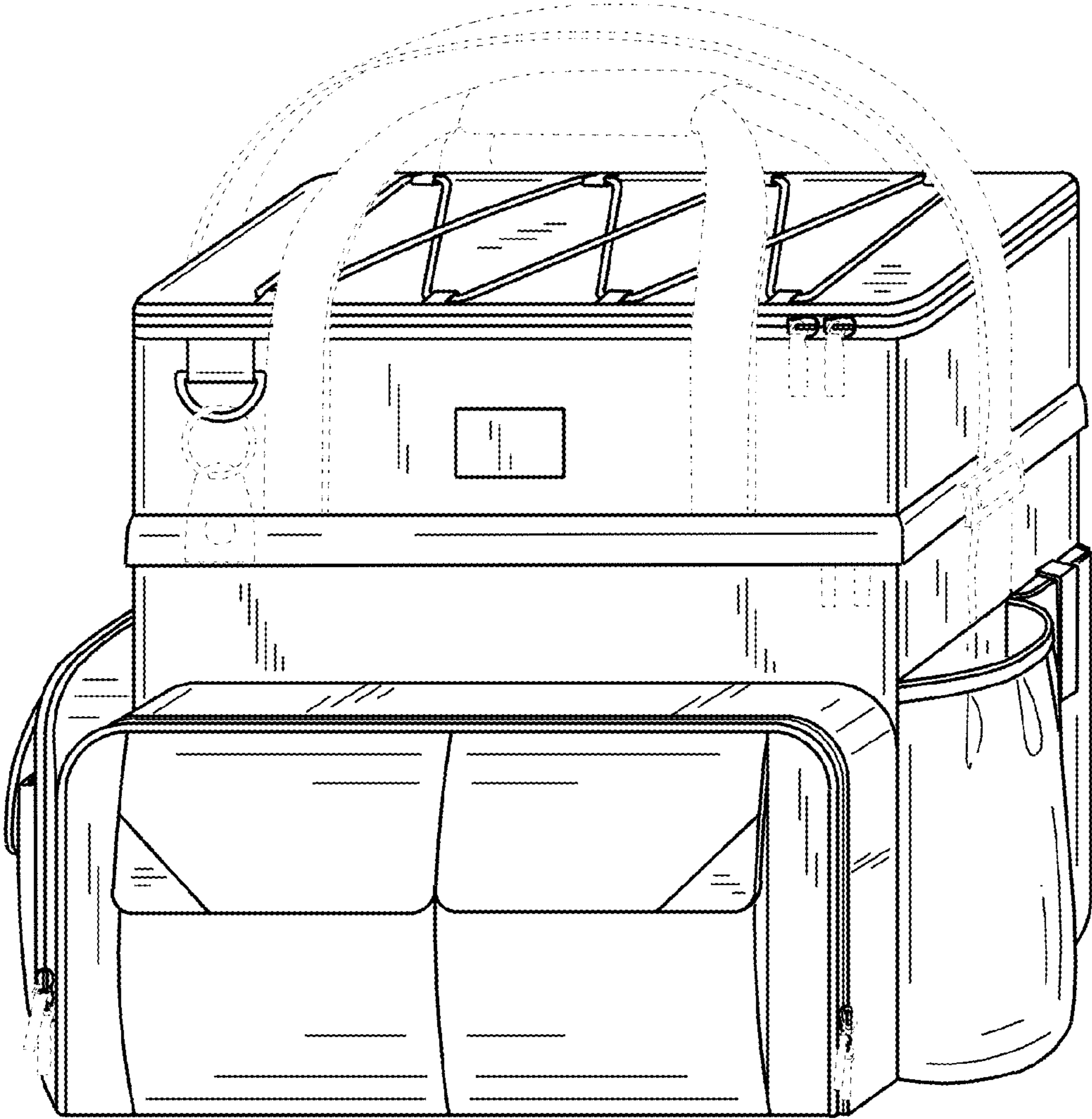


FIG. 1

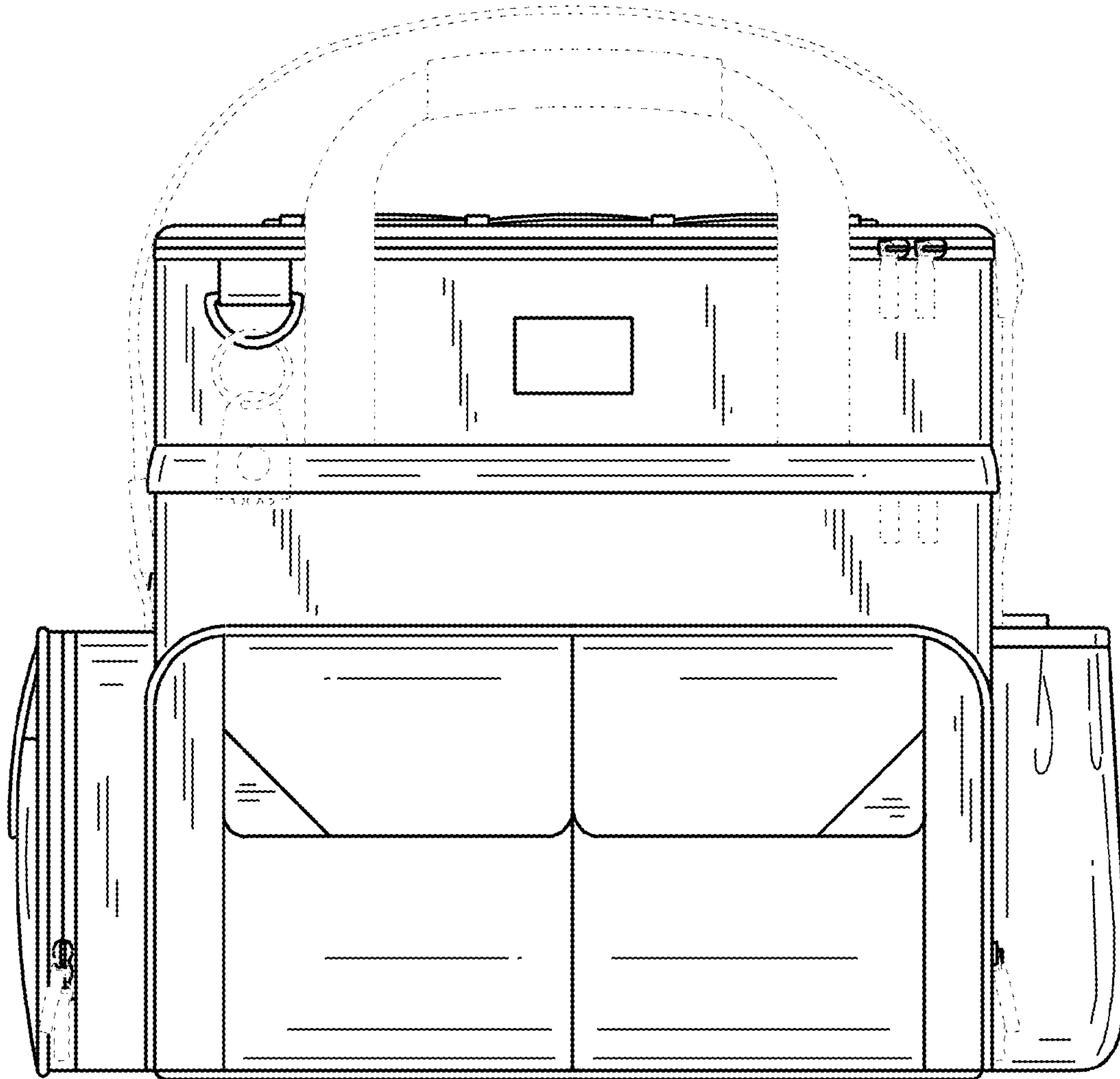


FIG. 2

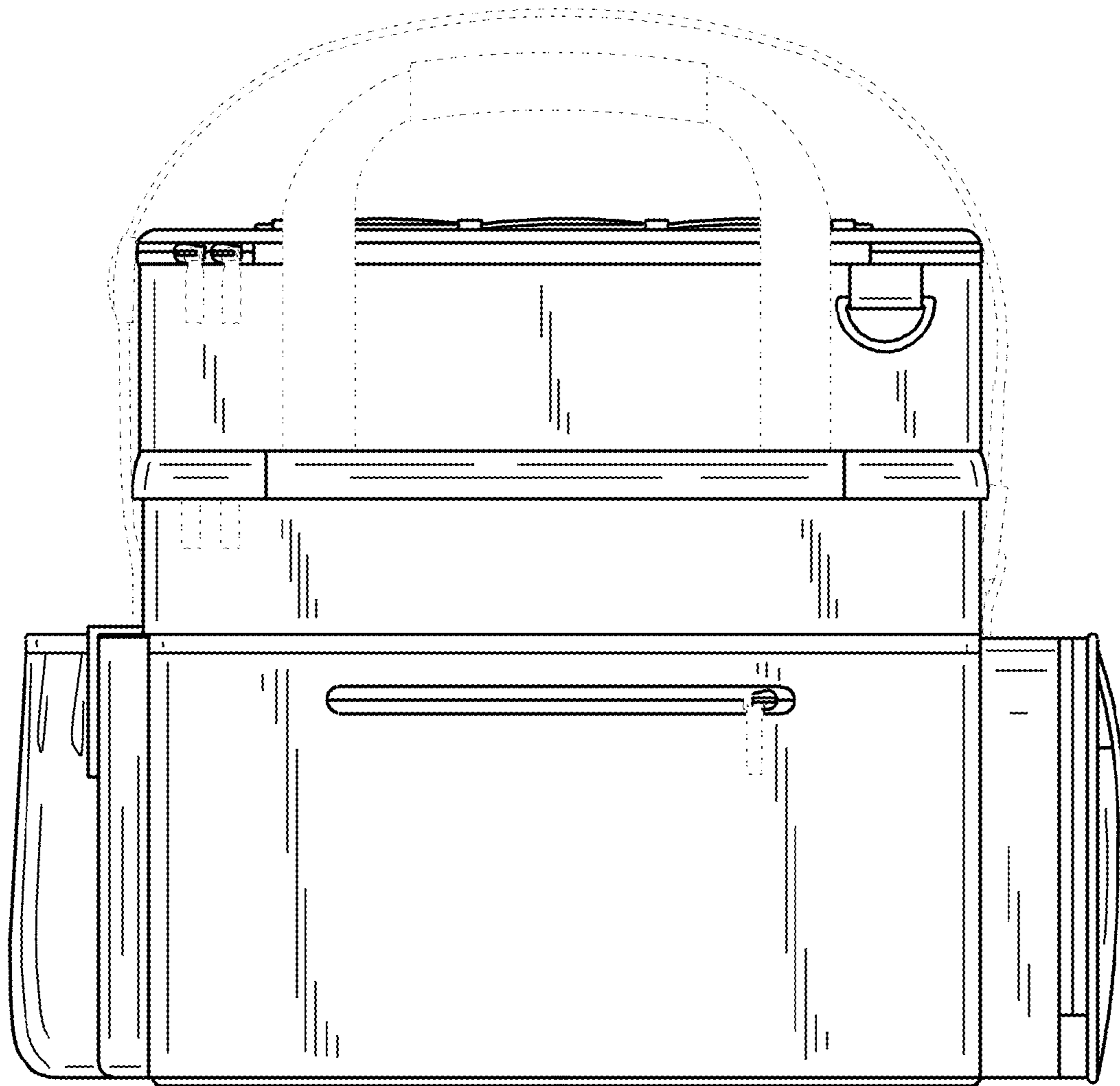


FIG. 3

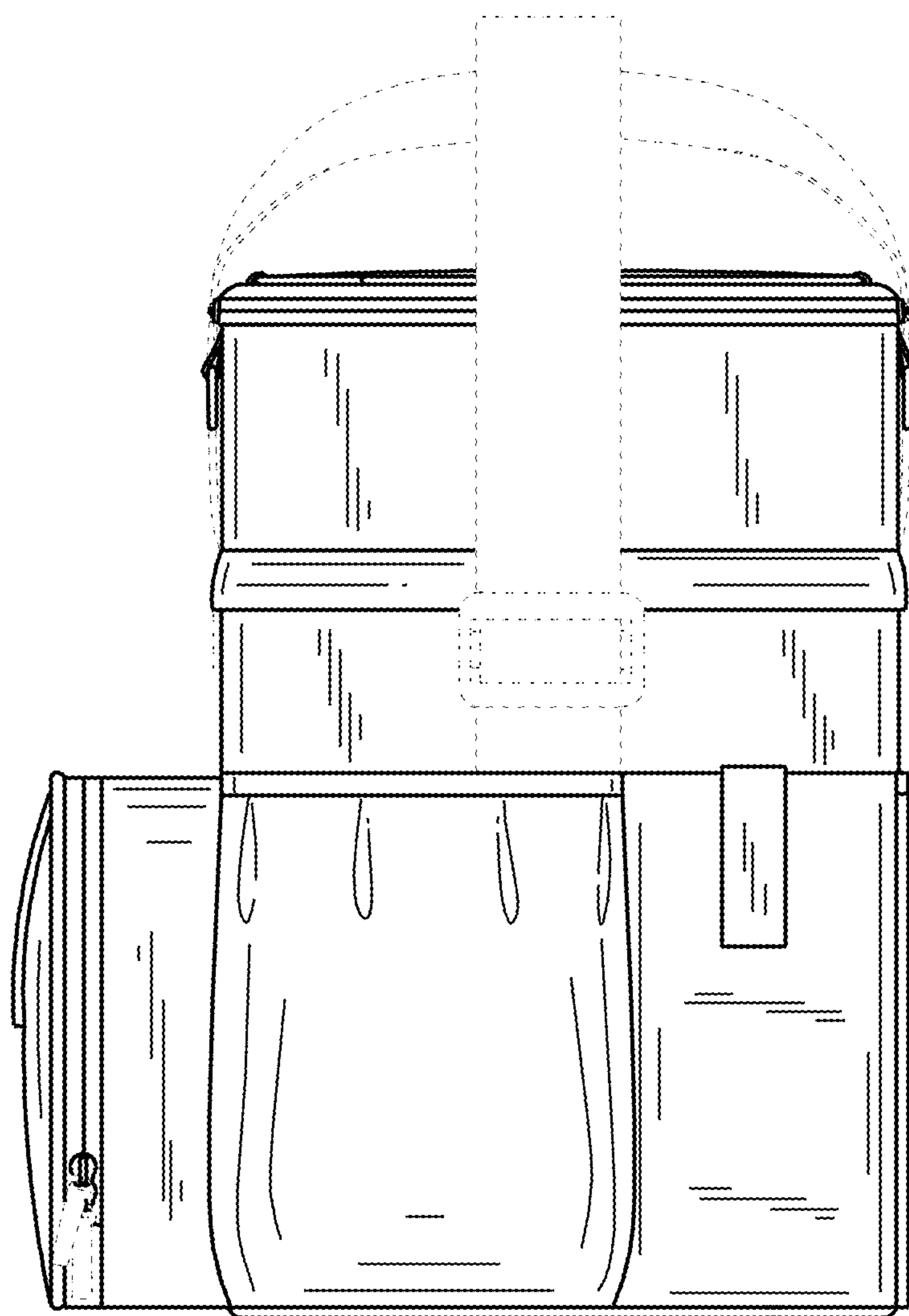


FIG. 4

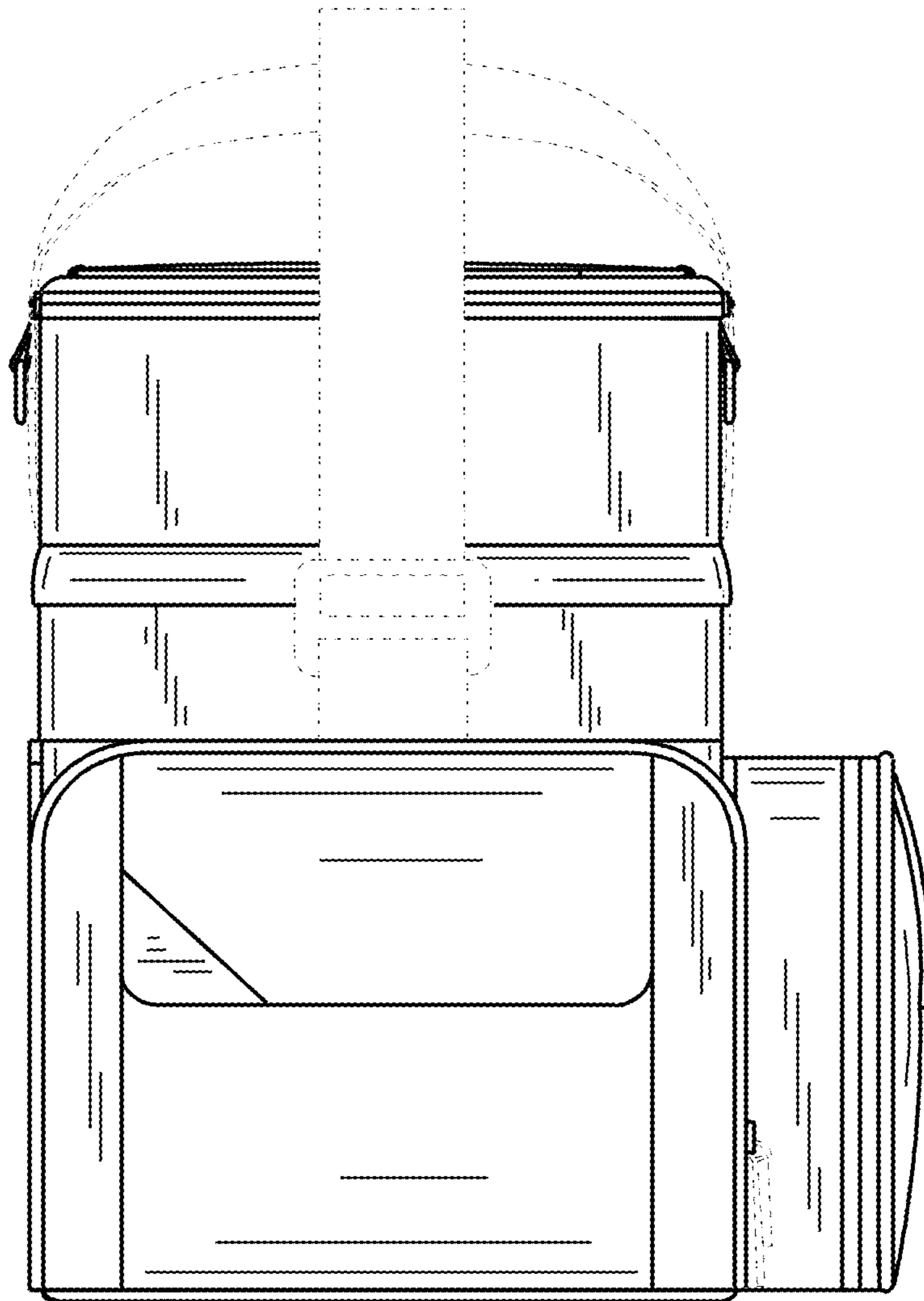


FIG. 5

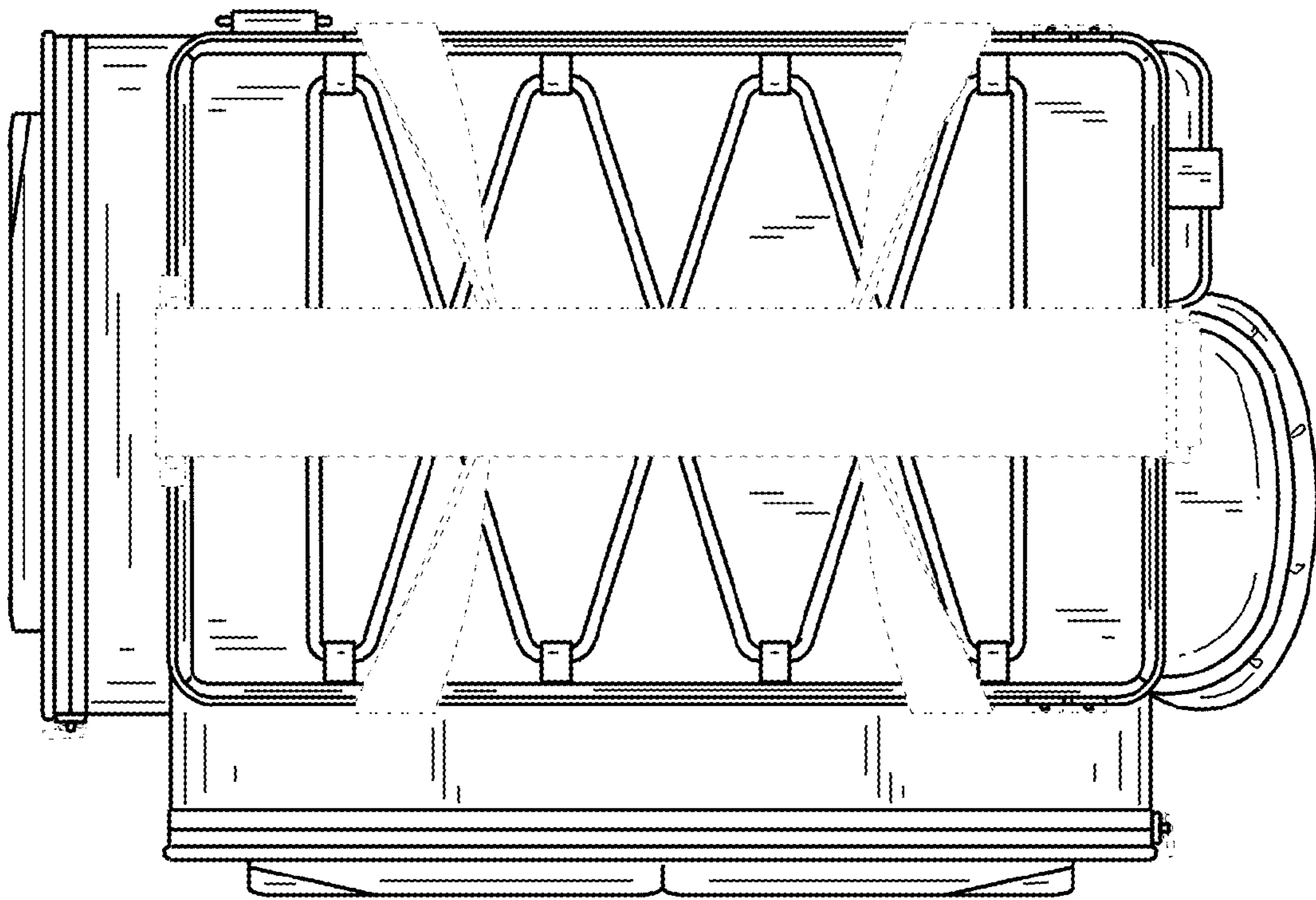


FIG. 6



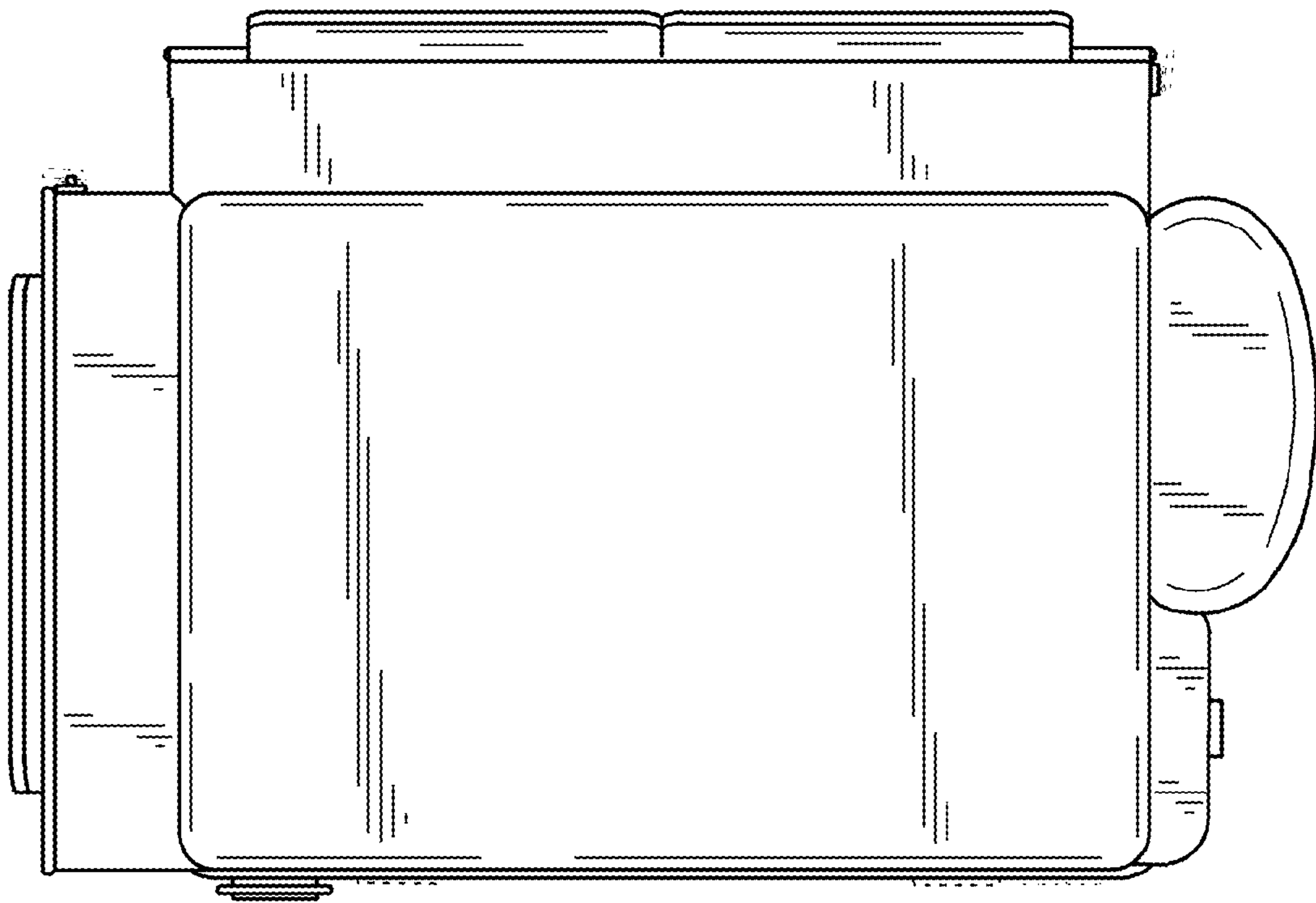


FIG. 7