

US00D762378S

(12) **United States Design Patent**
Domotor et al.

(10) **Patent No.:** **US D762,378 S**

(45) **Date of Patent:** **** Aug. 2, 2016**

(54) **COLLAPSIBLE TOTE**

(71) Applicant: **The Gem Group, Inc.**, Lawrence, MA
(US)

(72) Inventors: **Agnes Csilla Domotor**, Melrose, MA
(US); **Sara E. Stump**, Somerville, MA
(US); **Kimberly M. Piazza**, Windham,
NH (US)

(73) Assignee: **The Gem Group, Inc.**, Lawrence, MA
(US)

(**) Term: **14 Years**

(21) Appl. No.: **29/487,551**

(22) Filed: **Apr. 9, 2014**

(51) **LOC (10) Cl.** **03-01**

(52) **U.S. Cl.**
USPC **D3/233**

(58) **Field of Classification Search**
USPC D3/232–233, 240–246
CPC A45C 1/024; A45C 3/08
See application file for complete search history.

(56) **References Cited**

U.S. PATENT DOCUMENTS

D413,723 S * 9/1999 Quansah D3/233
D491,352 S * 6/2004 Peng D3/233

(Continued)

OTHER PUBLICATIONS

Alite Designs, “Bike to the Beach Bag”, “published no later than Feb. 20, 2014 from <http://shop.alitedeigns.com/bike-to-the-beach-bag.html>”.

(Continued)

Primary Examiner — Holly Baynham

(74) *Attorney, Agent, or Firm* — Loginov & Associates,
PLLC; William A. Loginov

(57) **CLAIM**

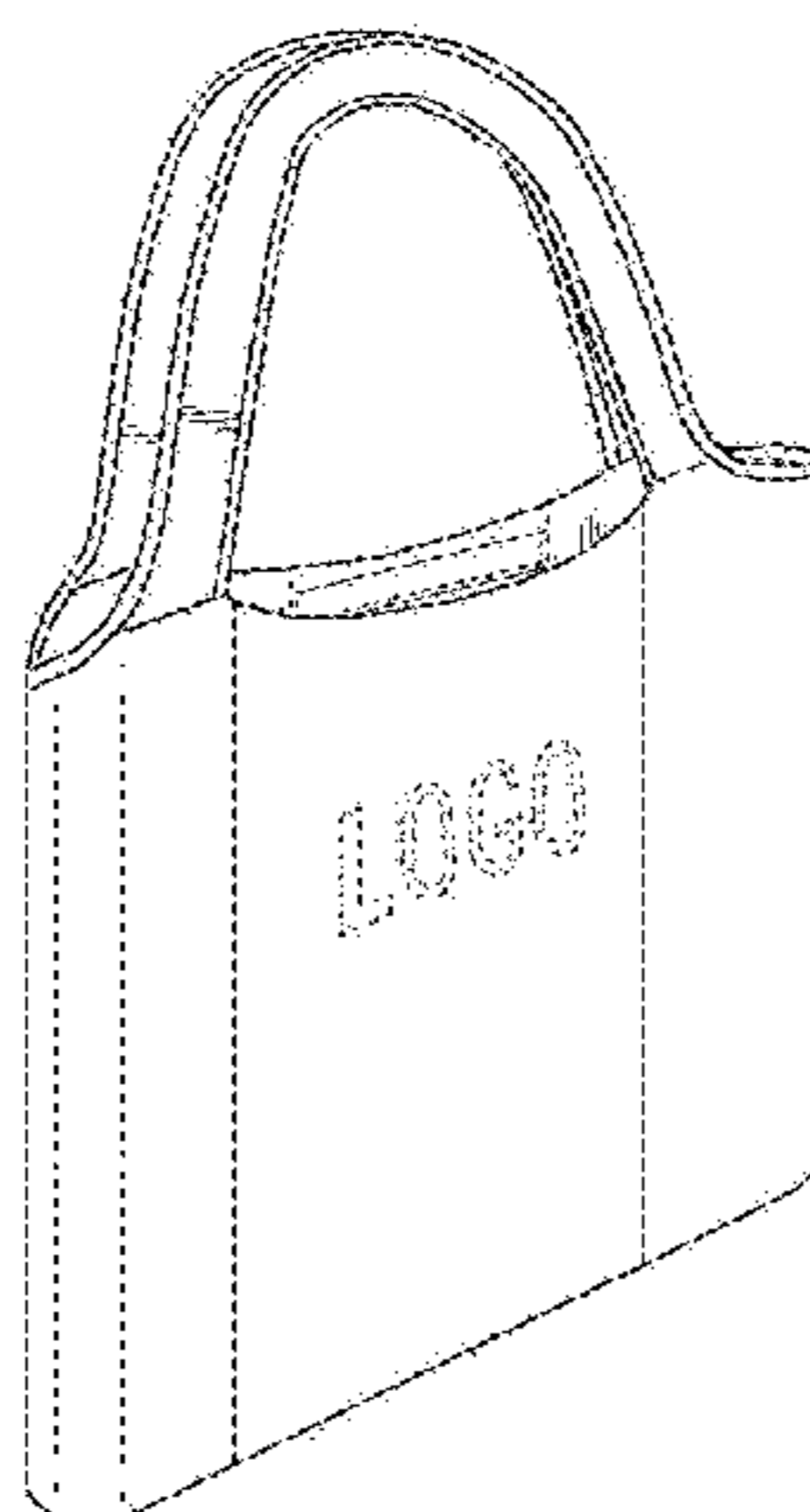
The ornamental design for a collapsible tote, substantially as shown.

DESCRIPTION

FIG. 1 is a perspective view of a collapsible tote;
FIG. 2 is a front view of the collapsible tote;
FIG. 3 is a rear view of the collapsible tote;
FIG. 4 is a right side view of the collapsible tote;
FIG. 5 is a left side view of the collapsible tote;
FIG. 6 is a top view of the collapsible tote;
FIG. 7 is a bottom view of the collapsible tote;
FIG. 8 is a perspective view of a collapsible tote;
FIG. 9 is a front view of the collapsible tote;
FIG. 10 is a rear view of the collapsible tote;
FIG. 11 is a right side view of the collapsible tote;
FIG. 12 is a left side view of the collapsible tote;
FIG. 13 is a top view of the collapsible tote;
FIG. 14 is a bottom view of the collapsible tote;
FIG. 15 is a front view of a collapsible tote in a partially collapsed state;
FIG. 16 is a front view of the collapsible tote in a partially collapsed state;
FIG. 17 is a front view of the collapsible tote in a collapsed state;
FIG. 18 is a perspective view of the collapsible tote in a collapsed state;
FIG. 19 is a front view of the collapsible tote in a collapsed state;
FIG. 20 is a rear view of the collapsible tote in a collapsed state;
FIG. 21 is a right side view of the collapsible tote in a collapsed state;
FIG. 22 is a left side view of the collapsible tote in a collapsed state;
FIG. 23 is a top view of the collapsible tote in a collapsed state; and,
FIG. 24 is a bottom view of the collapsible tote in a collapsed state.

The broken lines showing drawstrings are for the purposes of illustrating environment and form no part of the claimed design. The broken line word “LOGO” is for the purpose of illustrating the position of a decorative logo and forms no part of the claimed design.

1 Claim, 9 Drawing Sheets



(56)

References Cited

U.S. PATENT DOCUMENTS

D491,353 S * 6/2004 Peng D3/233
D590,150 S * 4/2009 Miller D3/246

OTHER PUBLICATIONS

Orox Leather Co., "Backpack Tote—Green/Tan", "published no later than Feb. 20, 2014 from <http://www.oroxtleather.com/products/backpack-tote-green>", Published in: US.

Qwstion, "Qwstion Home Page", "published no later than Feb. 20, 2014 from <http://www.qwstion.com/us/>".

Rushfaster.com, "Qwstion Convertible Tote / Backpack—Washed Grey", "published no later than Feb. 20, 2014 from <http://rushfaster.com.au/product/qwstion/convertible-tote-backpack-washedgrey/7654>", Published in: AU.

Torso Co. Ltd, "School Bag—Tembea", "published no later than Feb. 20, 2014 from <http://shop.torso-design.com/?pid=58203677>".

* cited by examiner



Fig. 1

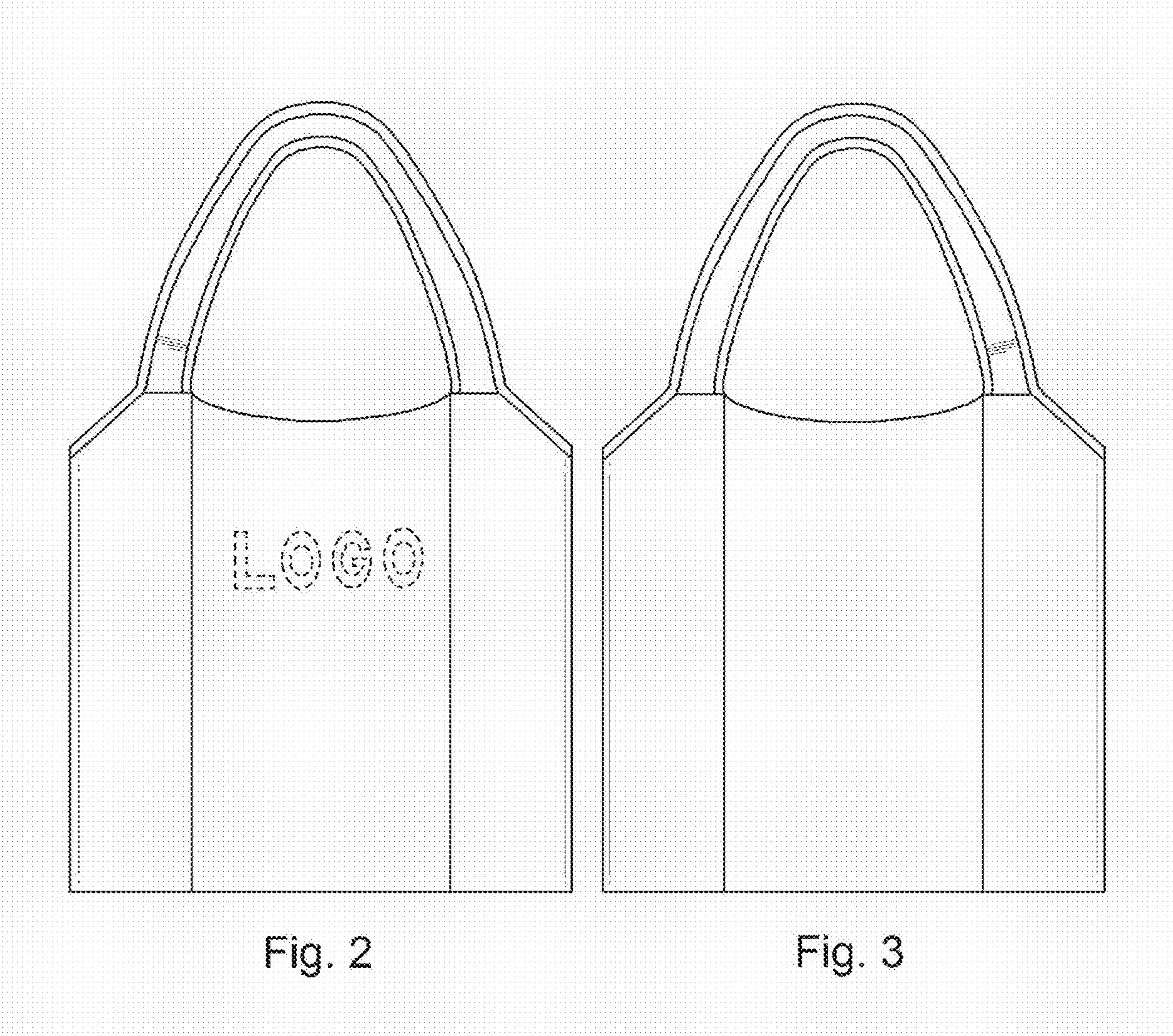


Fig. 2

Fig. 3

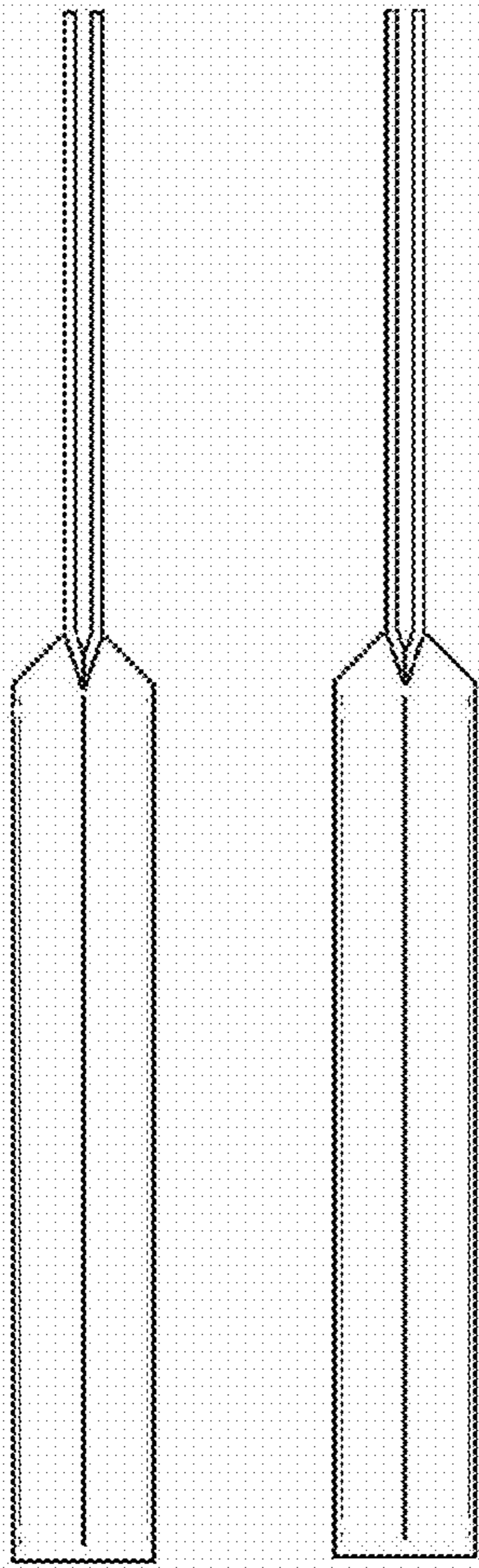


Fig. 4

Fig. 5



Fig. 6

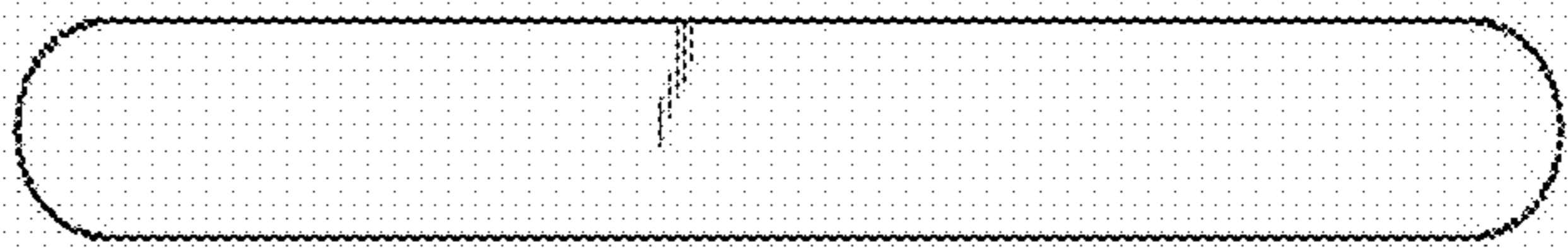


Fig. 7

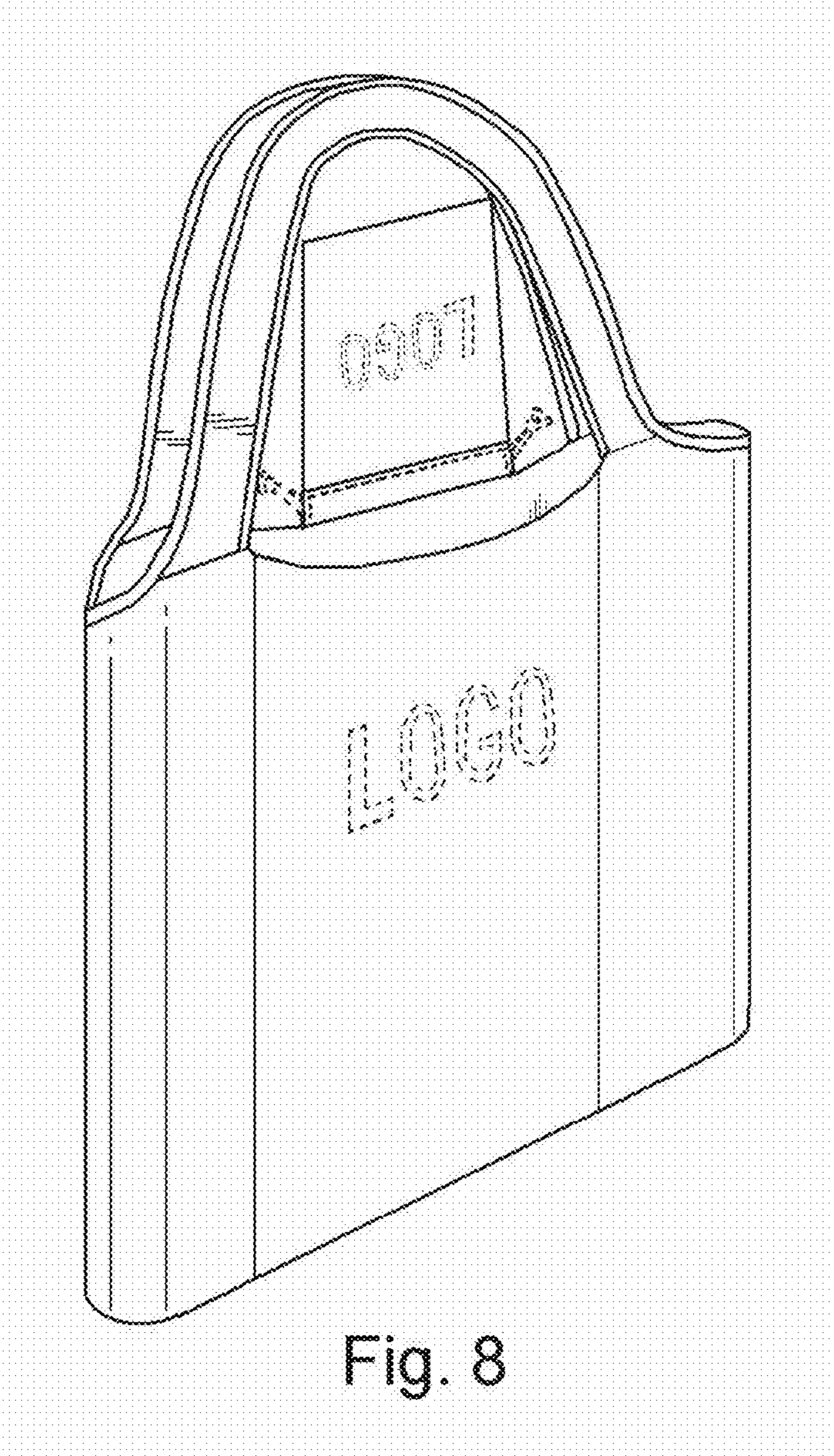


Fig. 8

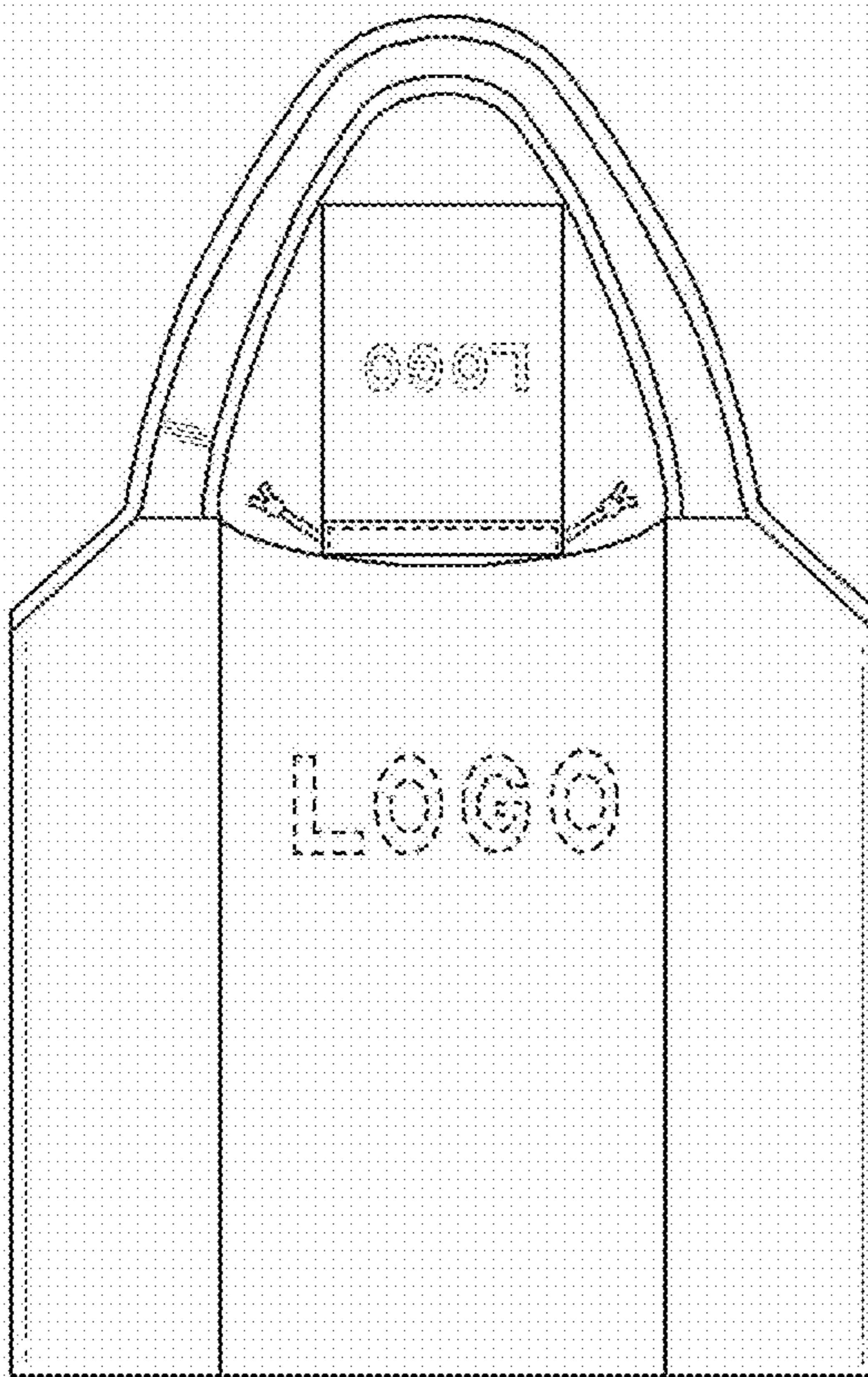


Fig. 9

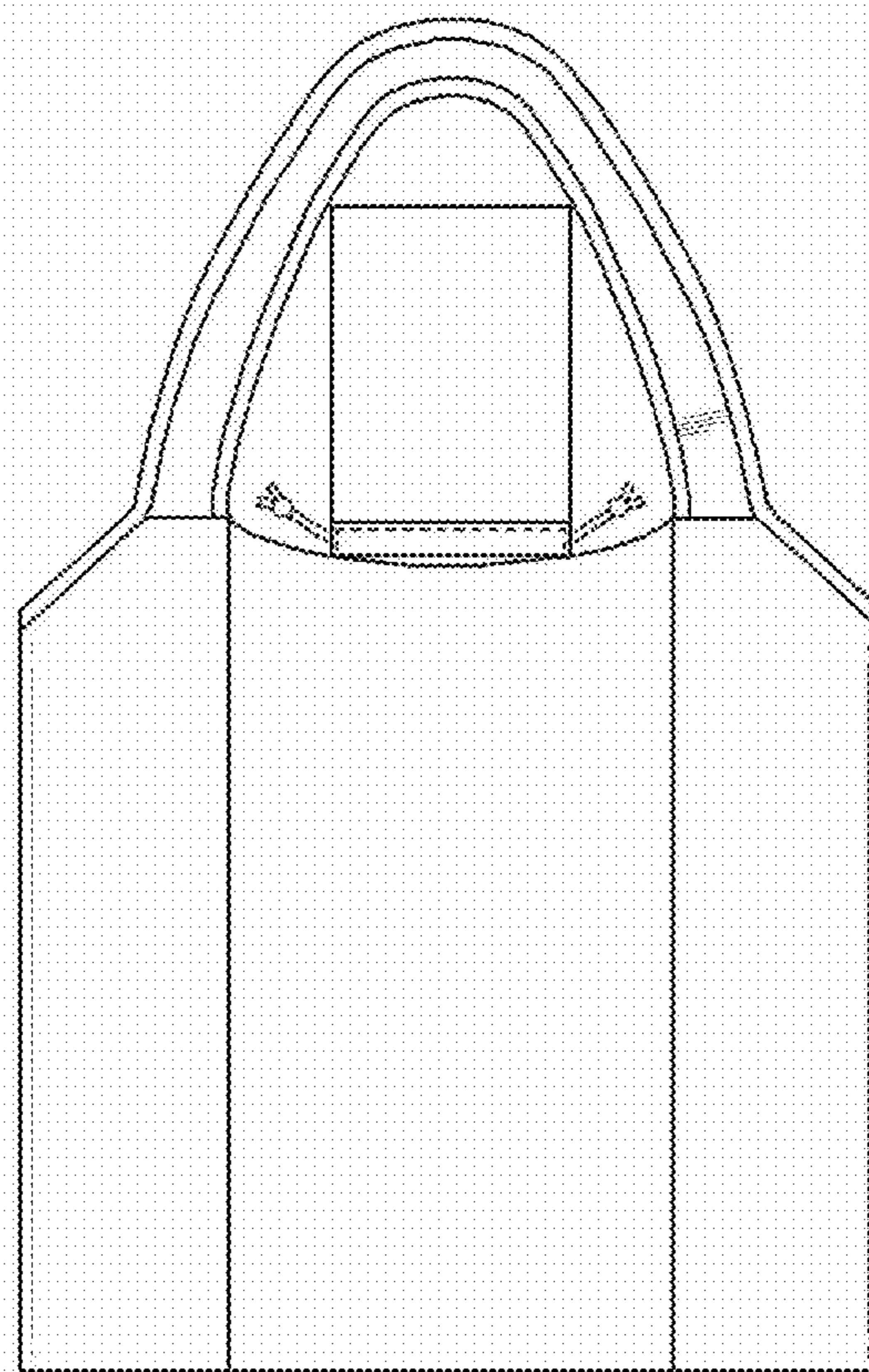


Fig. 10

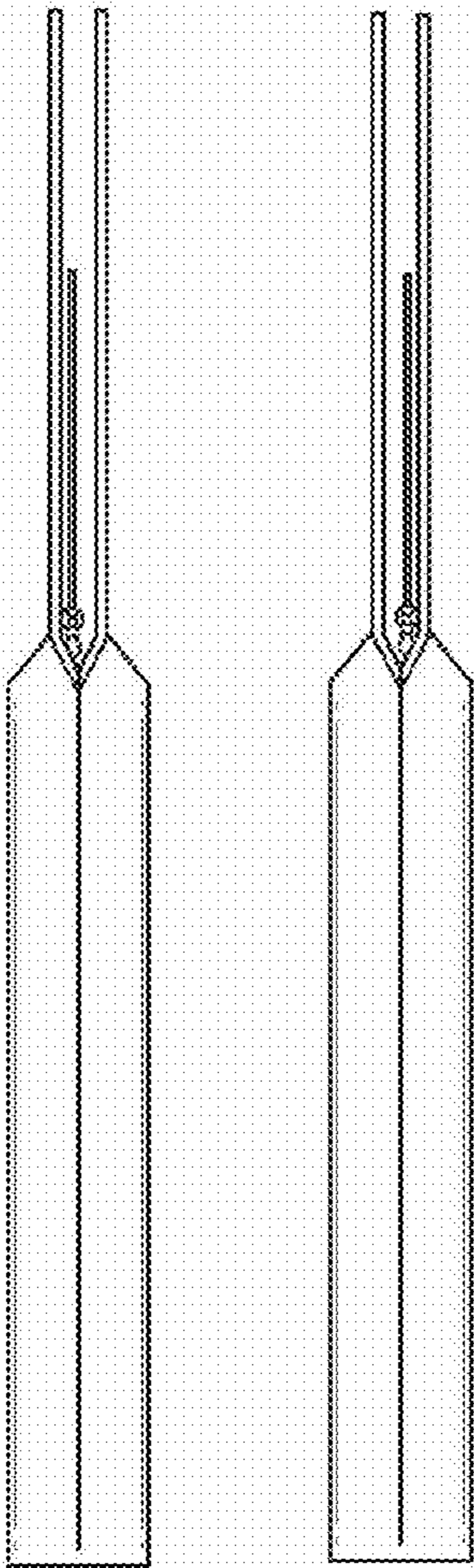


Fig. 11 Fig. 12



Fig. 13

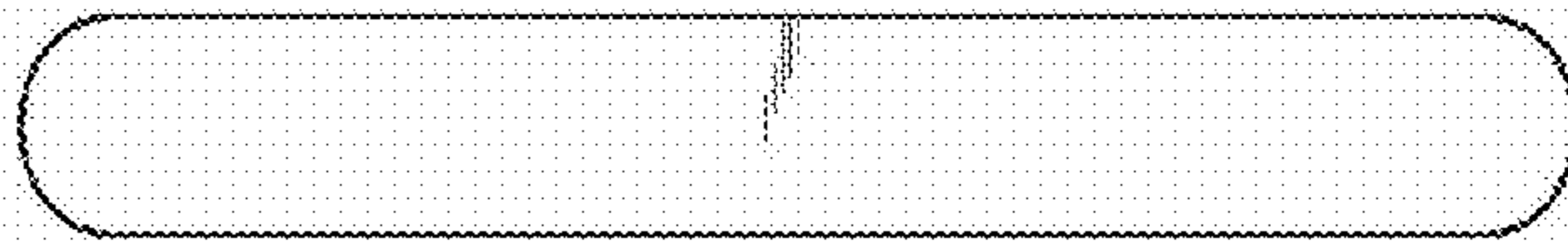


Fig. 14

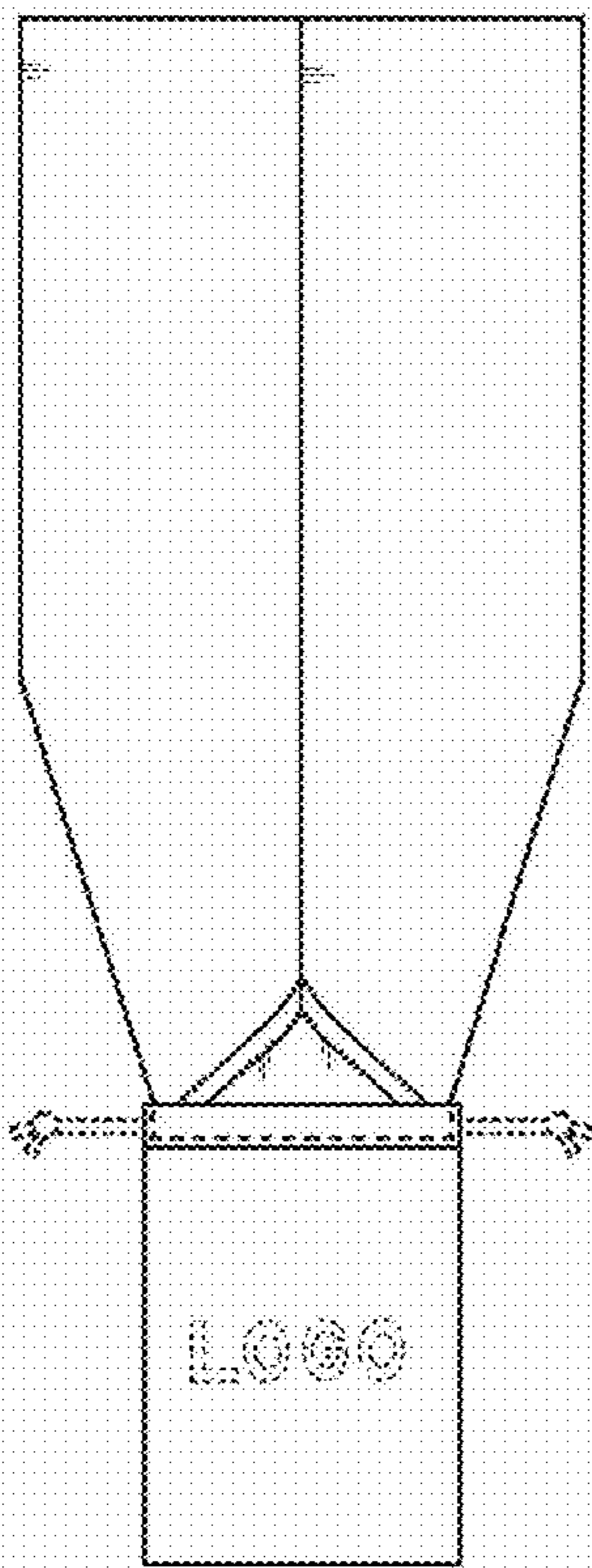


Fig. 15

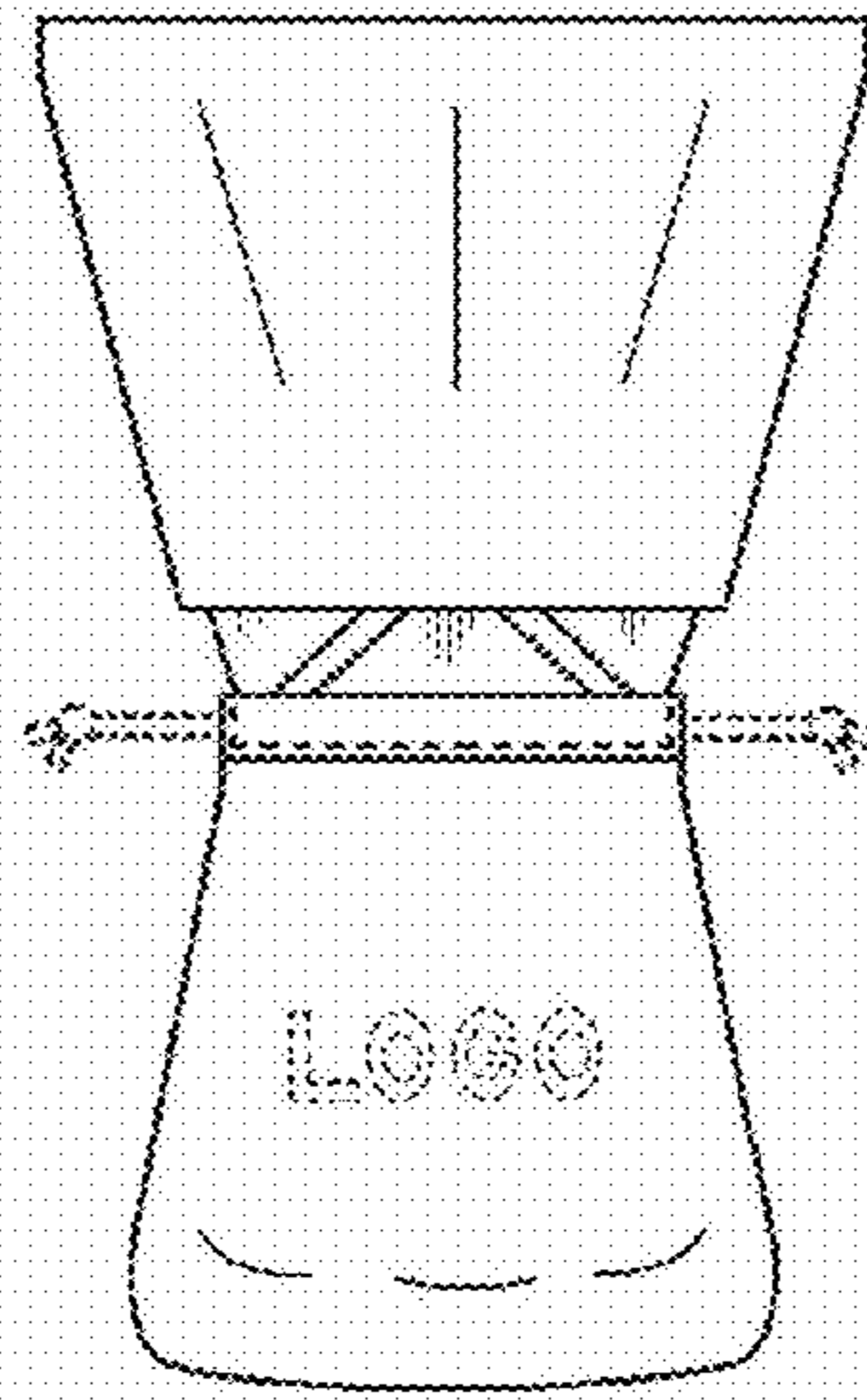


Fig. 16

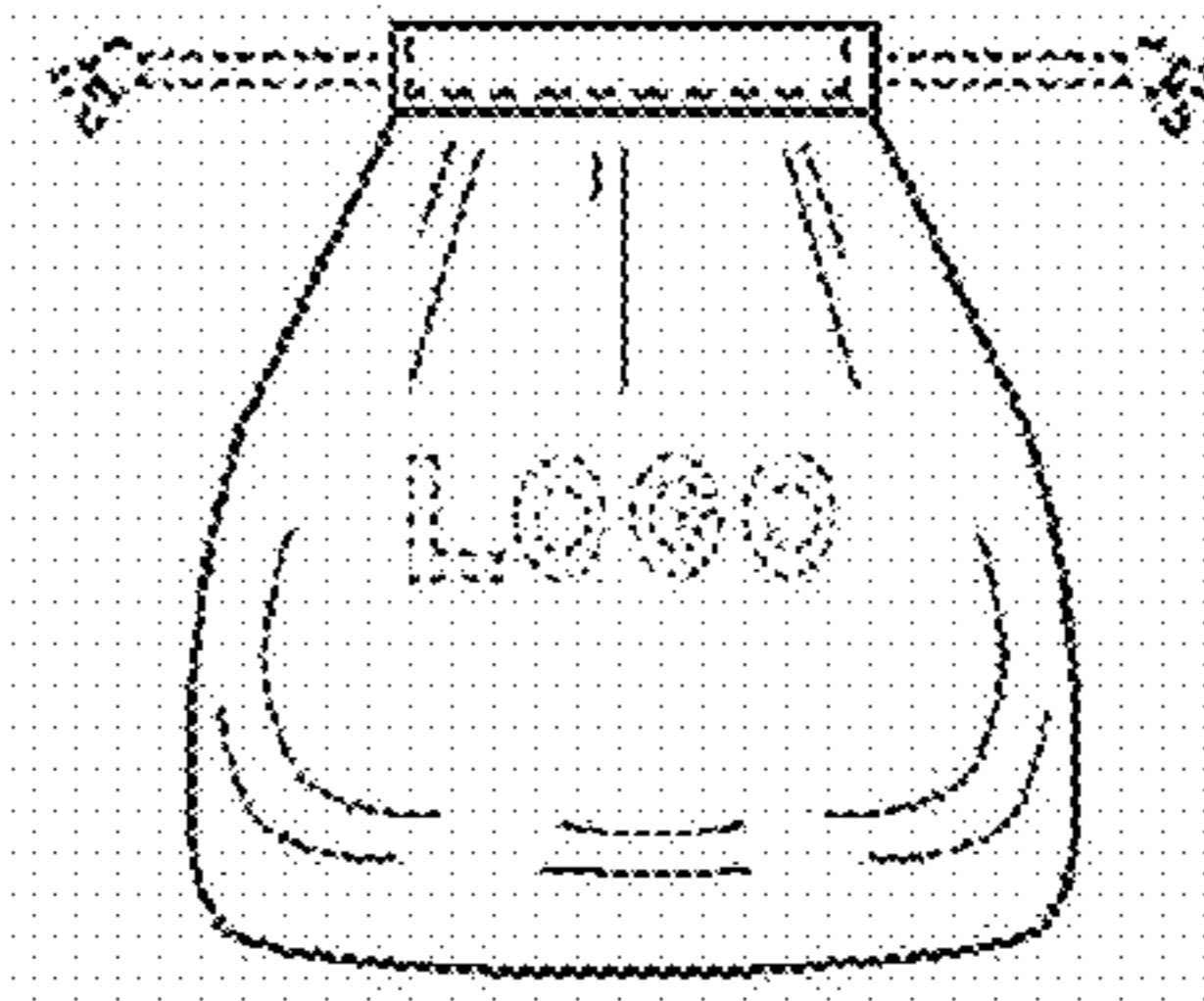


Fig. 17

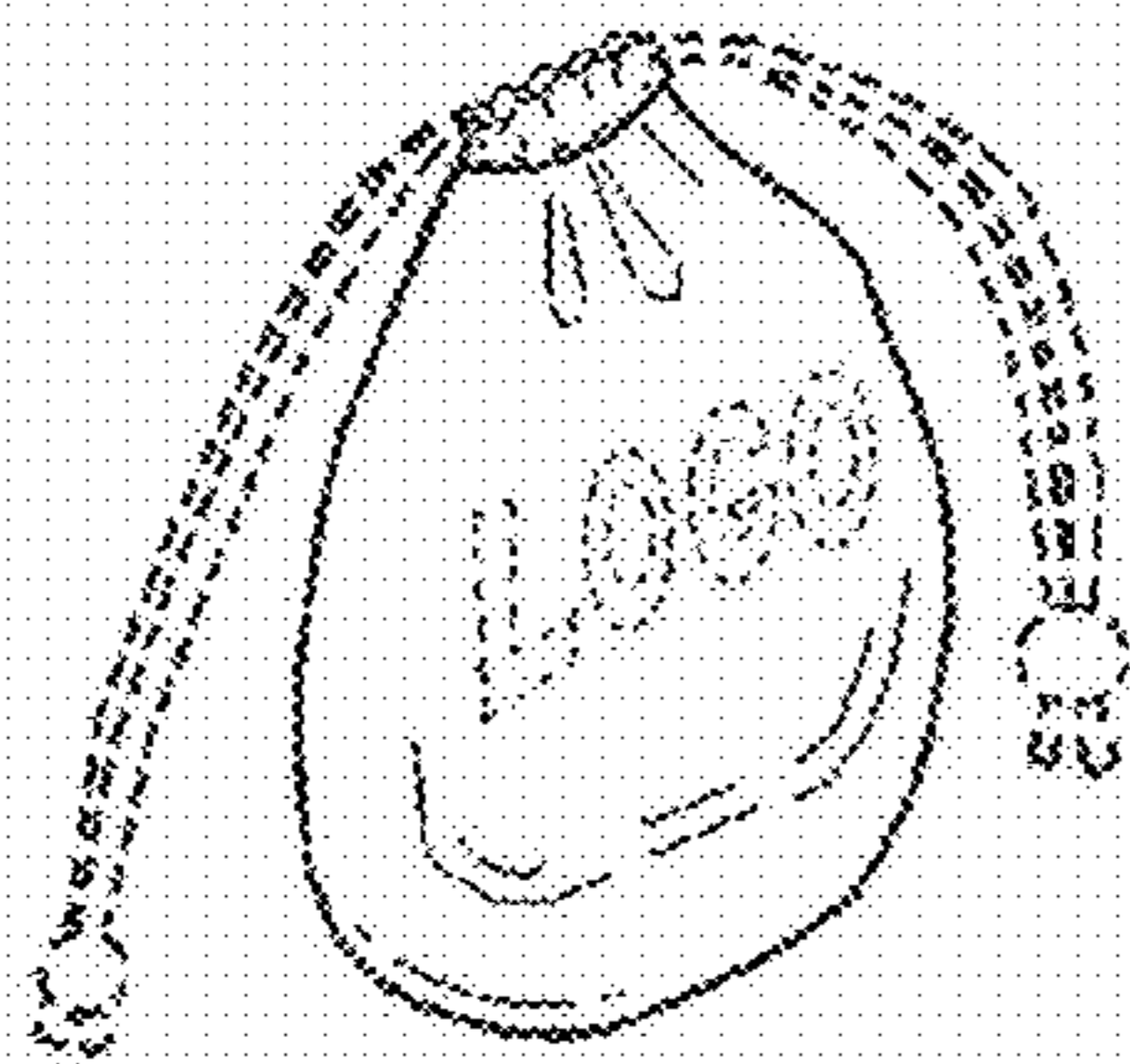


Fig. 18

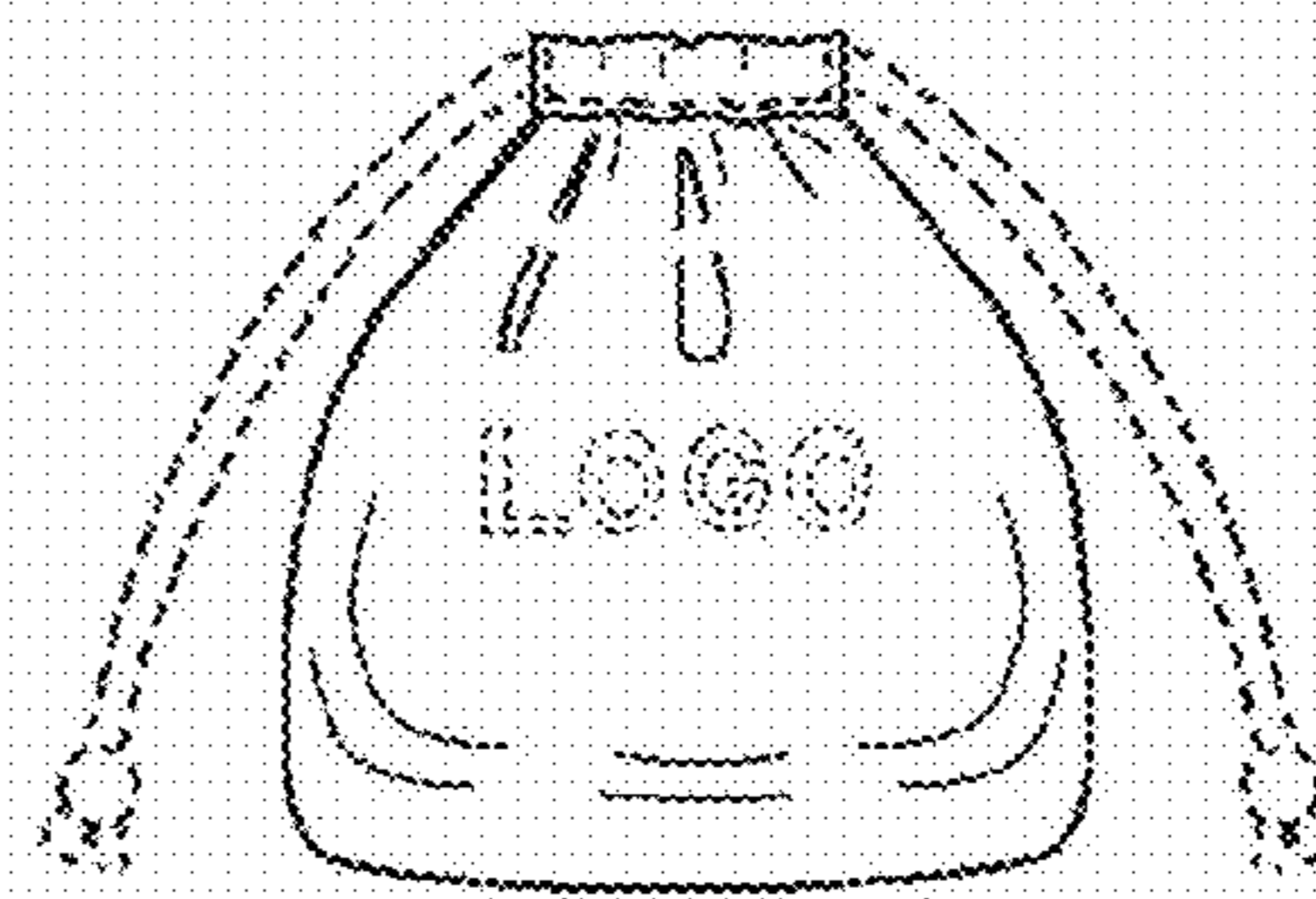


Fig. 19

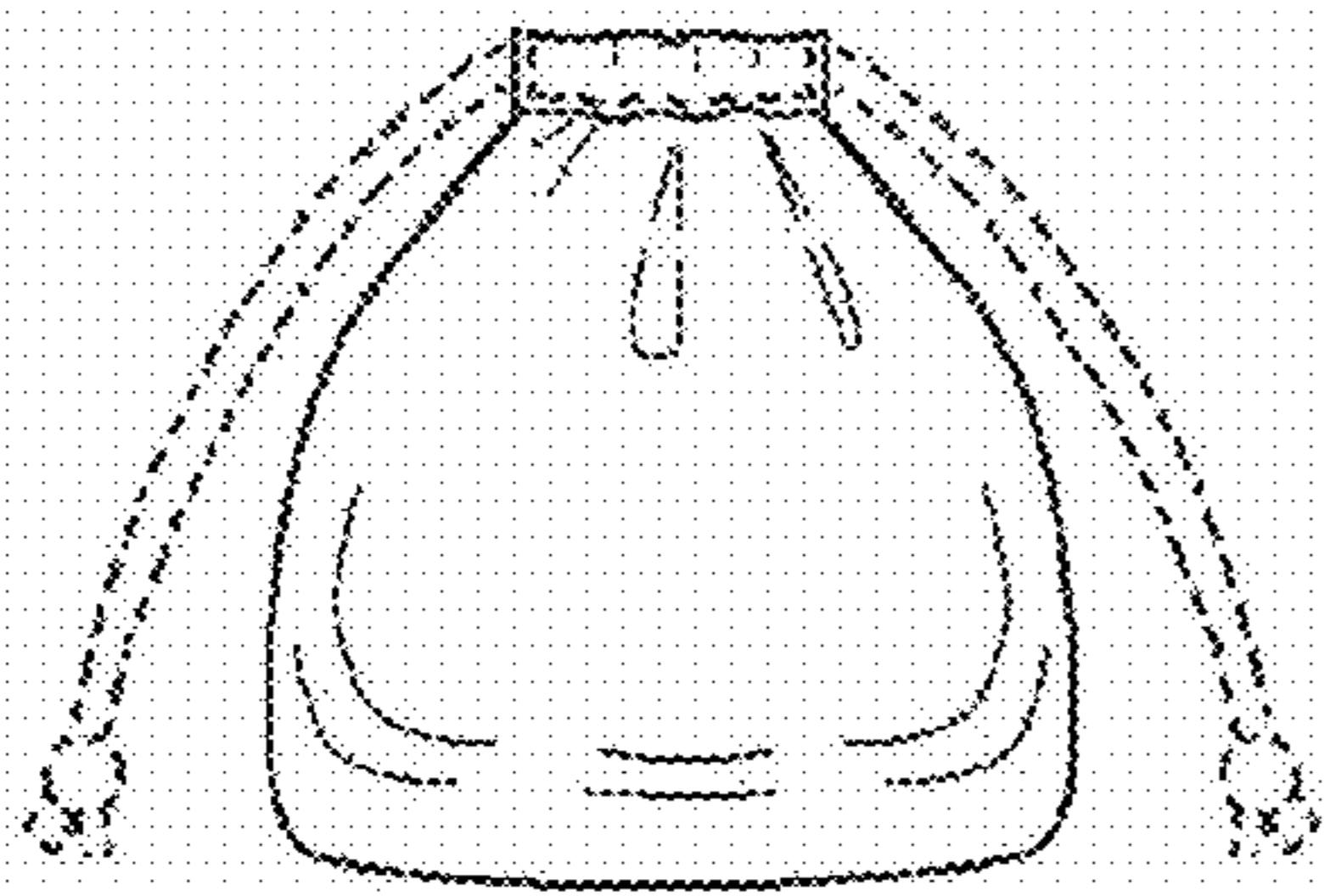


Fig. 20

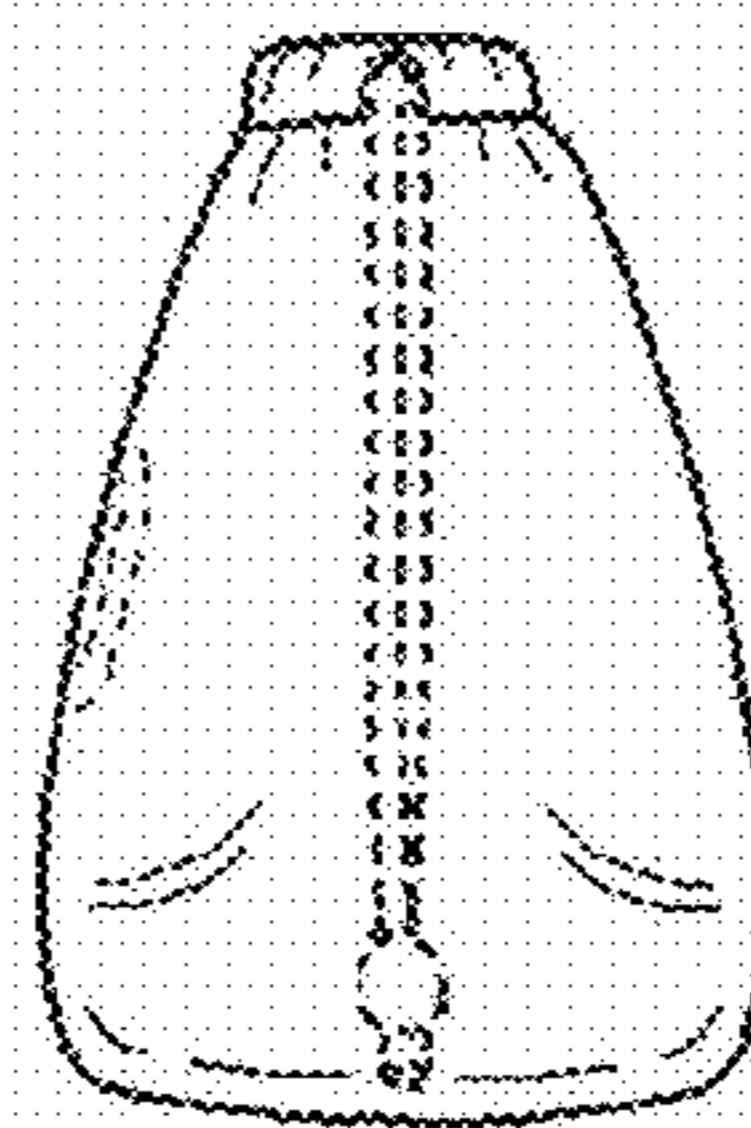


Fig. 21

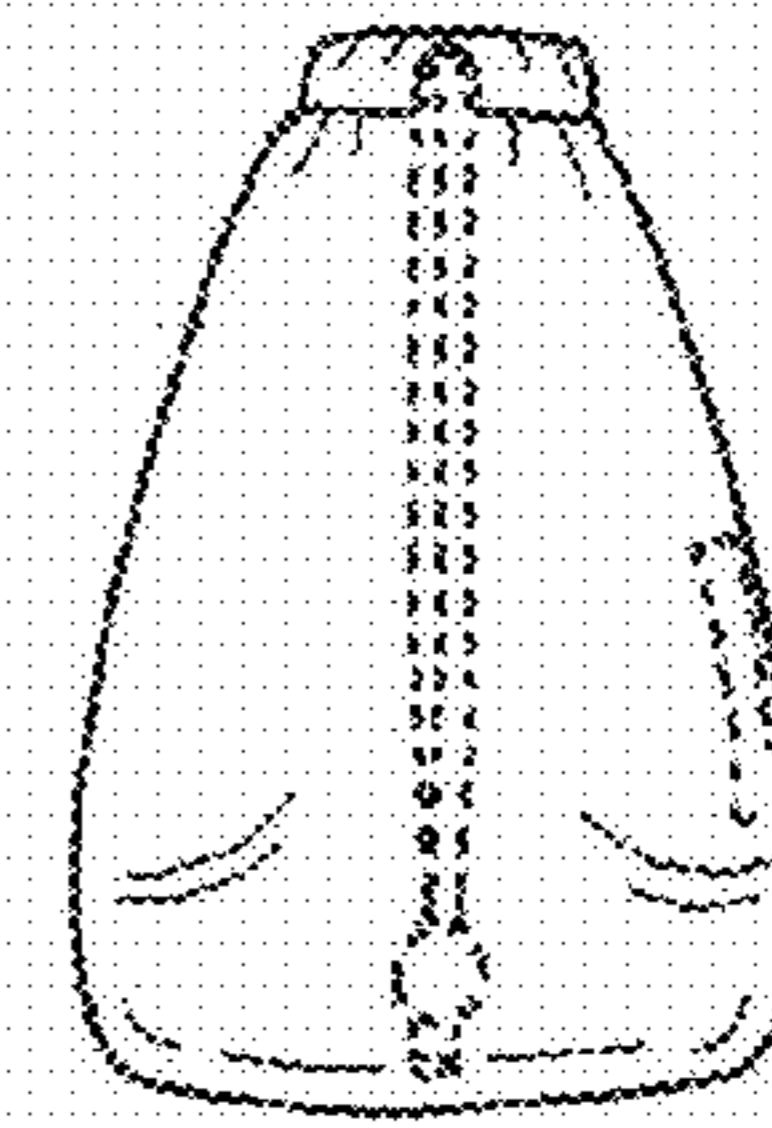


Fig. 22

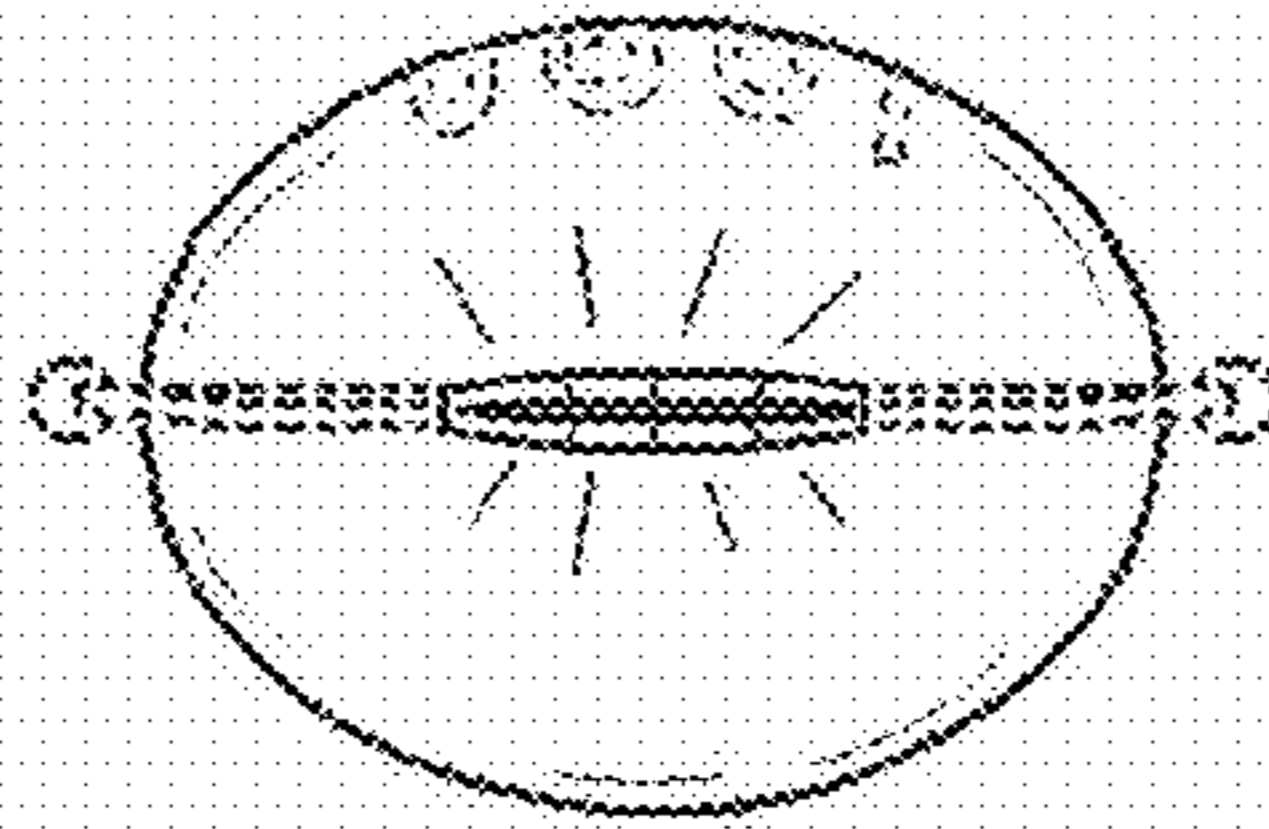


Fig. 23

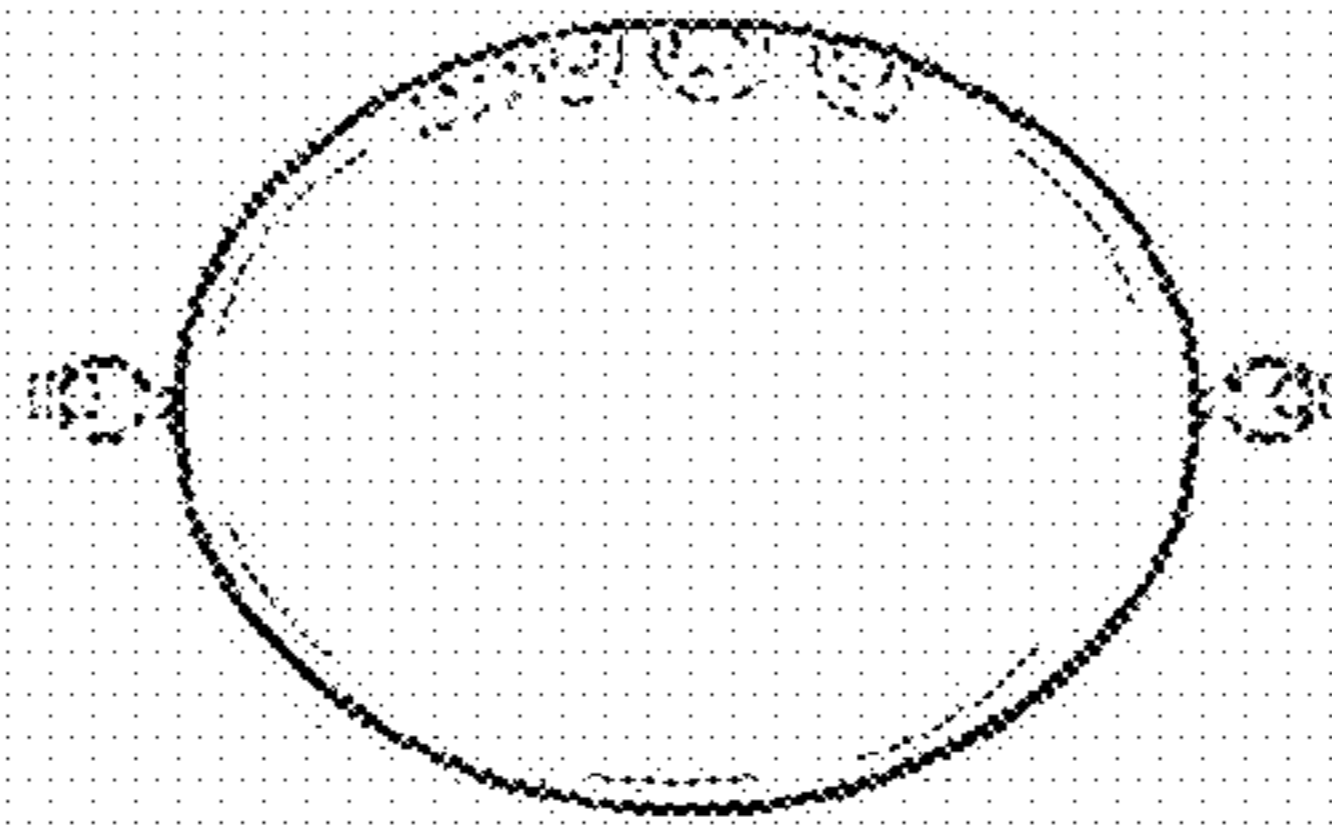


Fig. 24