



US00D762376S

(12) **United States Design Patent**
Kinskey

(10) **Patent No.:** **US D762,376 S**
(45) **Date of Patent:** **** Aug. 2, 2016**

- (54) **CLIP-ON AIR GUN HOLSTER**
- (71) Applicant: **LF Centennial Ltd.**, Road Town, Tortola (VG)
- (72) Inventor: **Terrence P. Kinskey**, Alpharetta, GA (US)
- (73) Assignee: **LF CENTENNIAL LTD.**, Tortola (VG)
- (**) Term: **14 Years**
- (21) Appl. No.: **29/491,534**
- (22) Filed: **May 22, 2014**

D374,604 S * 10/1996 Hnatowicz D3/228
 5,944,242 A * 8/1999 Musarella A45F 5/02
 224/270
 D448,924 S * 10/2001 Duh D3/218
 D488,924 S * 4/2004 Miller D3/228
 8,056,715 B2 * 11/2011 Conklin B25C 3/002
 224/245

* cited by examiner

Primary Examiner — Catheri Oliver-Garcia
 (74) *Attorney, Agent, or Firm* — Duane Morris LLP; J. Rodman Steele, Jr.; Gregory M. Lefkowitz

Related U.S. Application Data

- (63) Continuation-in-part of application No. 29/482,775, filed on Feb. 21, 2014, now Pat. No. Des. 723,266.
- (51) **LOC (10) Cl.** **03-01**
- (52) **U.S. Cl.**
USPC **D3/228**
- (58) **Field of Classification Search**
USPC D3/228, 226, 224, 215, 218; 206/240, 206/245, 248, 268–270, 582, 628–684, 206/901.2, 904; D8/373
CPC A45F 5/00; A45F 5/02; B25C 3/002
See application file for complete search history.

References Cited

U.S. PATENT DOCUMENTS

D240,370 S * 7/1976 Kuehl D3/228
 D373,243 S * 9/1996 Tovey D3/228

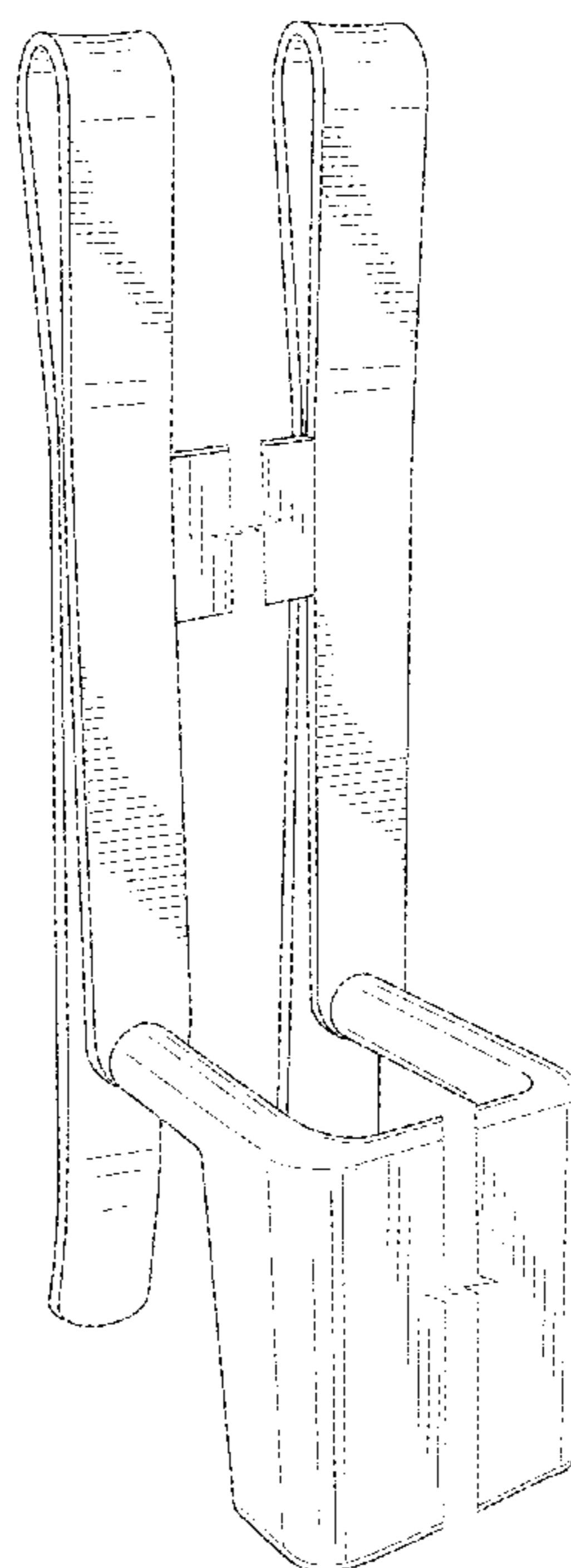
(57) **CLAIM**

The ornamental design for a clip-on air gun holster, as shown and described.

DESCRIPTION

FIG. 1 is a front, perspective view of my ornamental design; FIG. 2 is a front view of the ornamental design of FIG. 1; FIG. 3 is a back view of the ornamental design of FIG. 1; FIG. 4 is a left side view of the ornamental design of FIG. 1; FIG. 5 is a right side view of the ornamental design of FIG. 1; FIG. 6 is a top view of the ornamental design of FIG. 1; FIG. 7 is a bottom view of the ornamental design of FIG. 1; and, FIG. 8 is an environmental, perspective view of the ornamental design with an air gun attached thereto. The broken lines disclosed in FIG. 8 depict environmental structures and form no part of the claimed design. The break lines shown in the drawings indicate that no particular length is claimed.

1 Claim, 7 Drawing Sheets



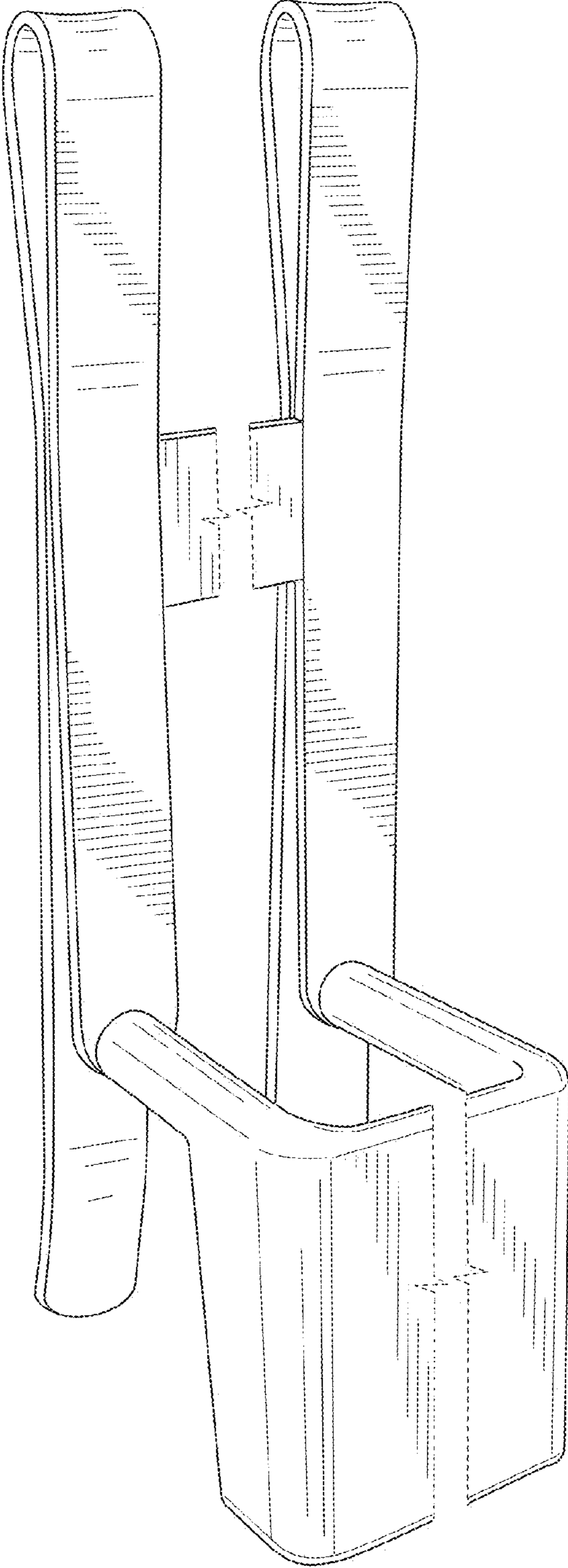


FIG. 1

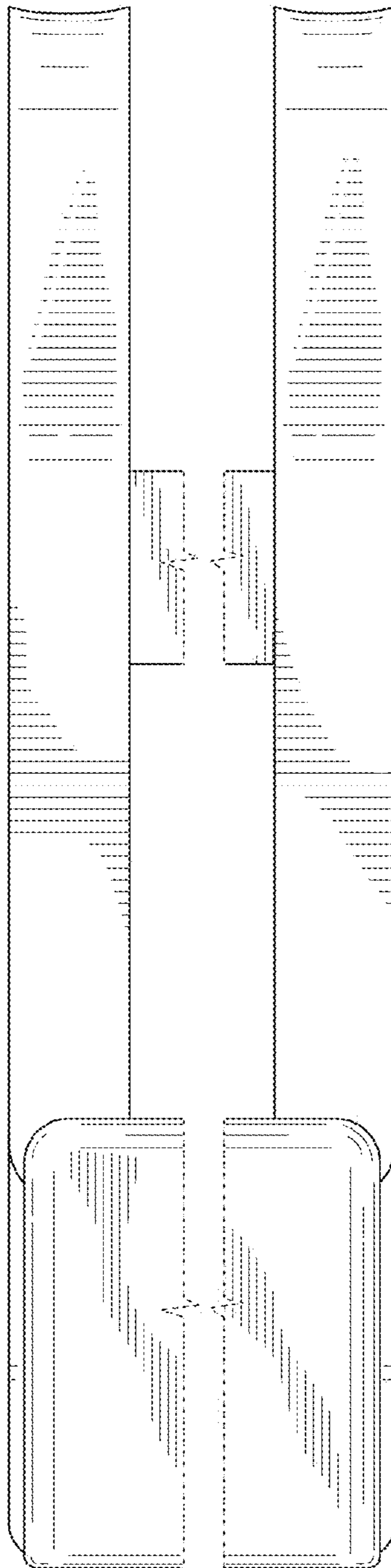


FIG. 2

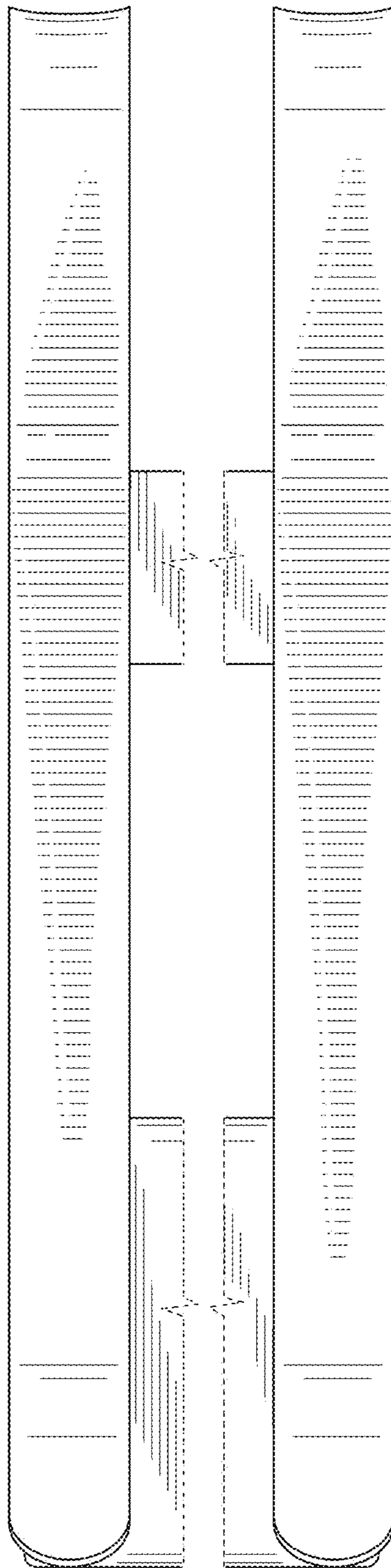


FIG. 3

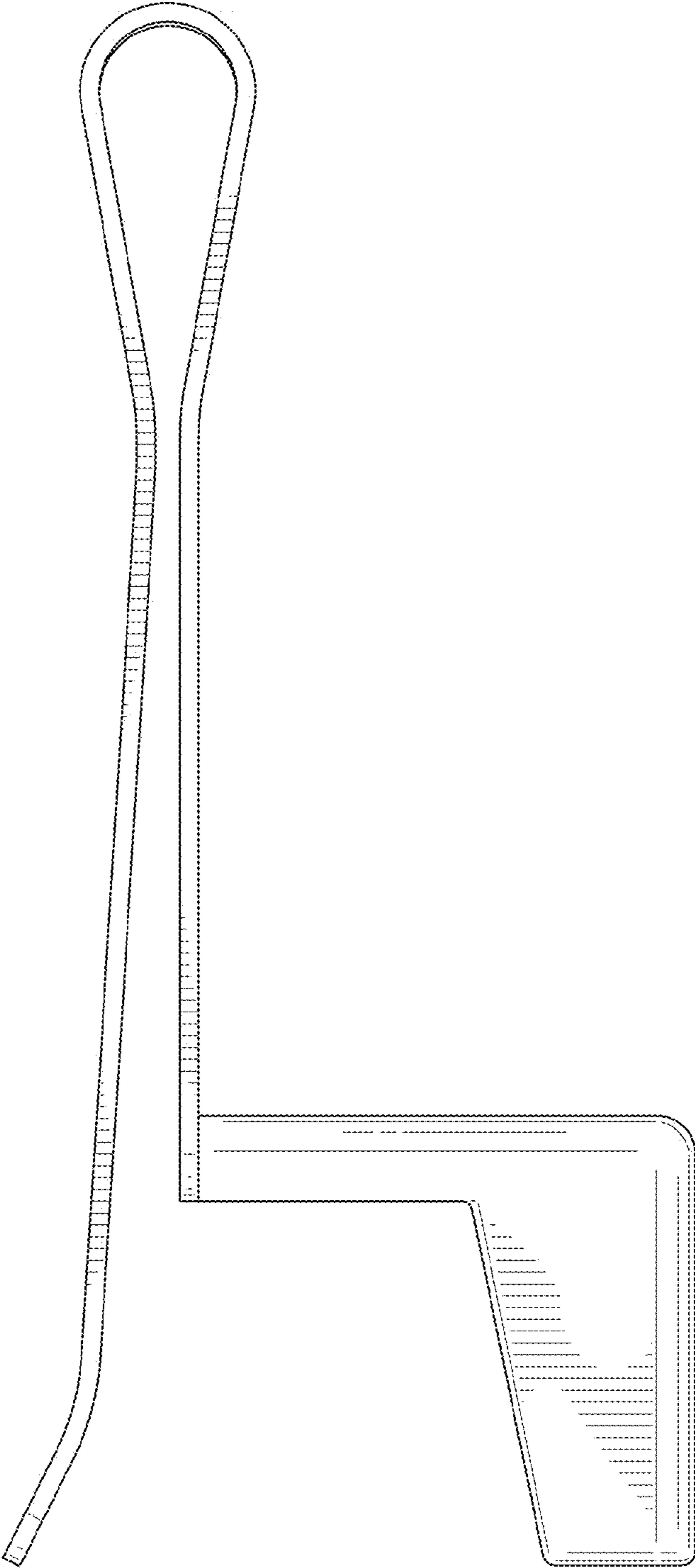


FIG. 4

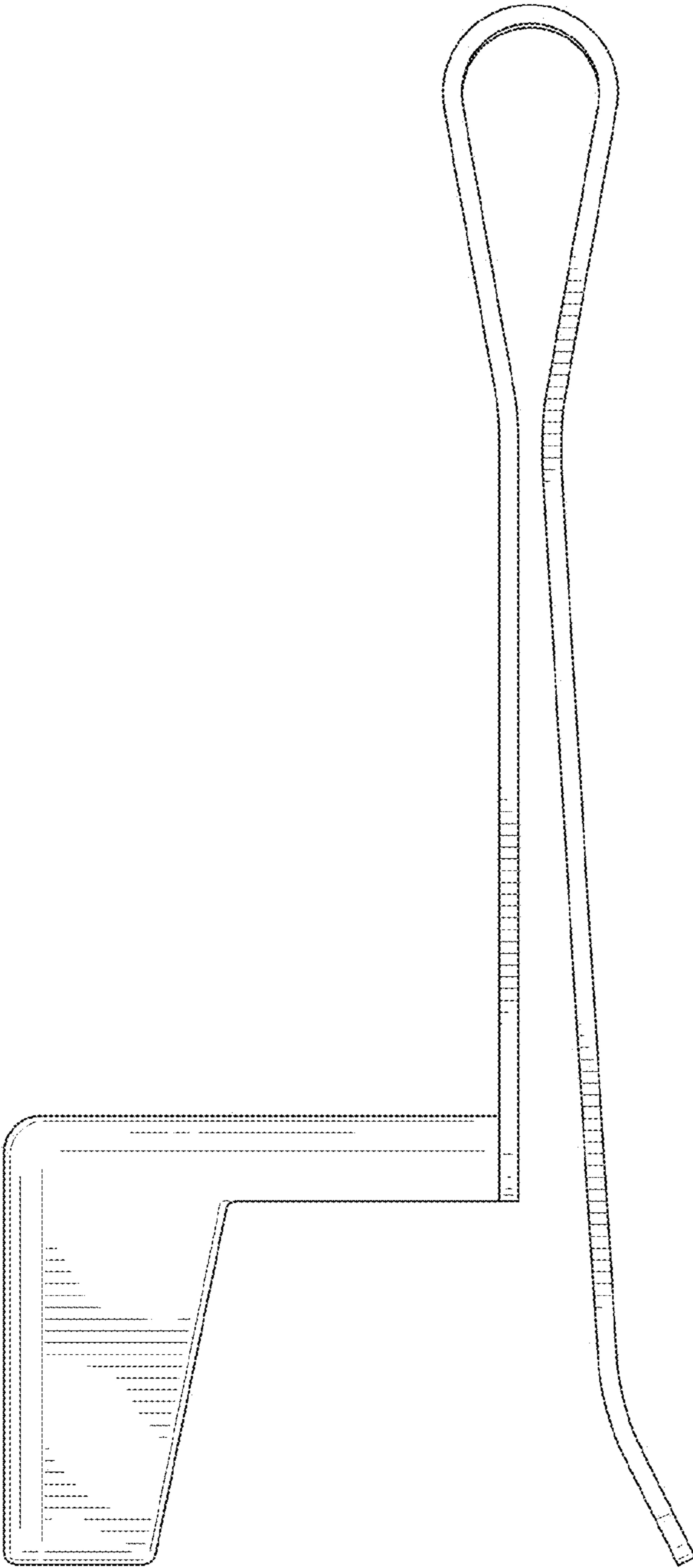


FIG. 5

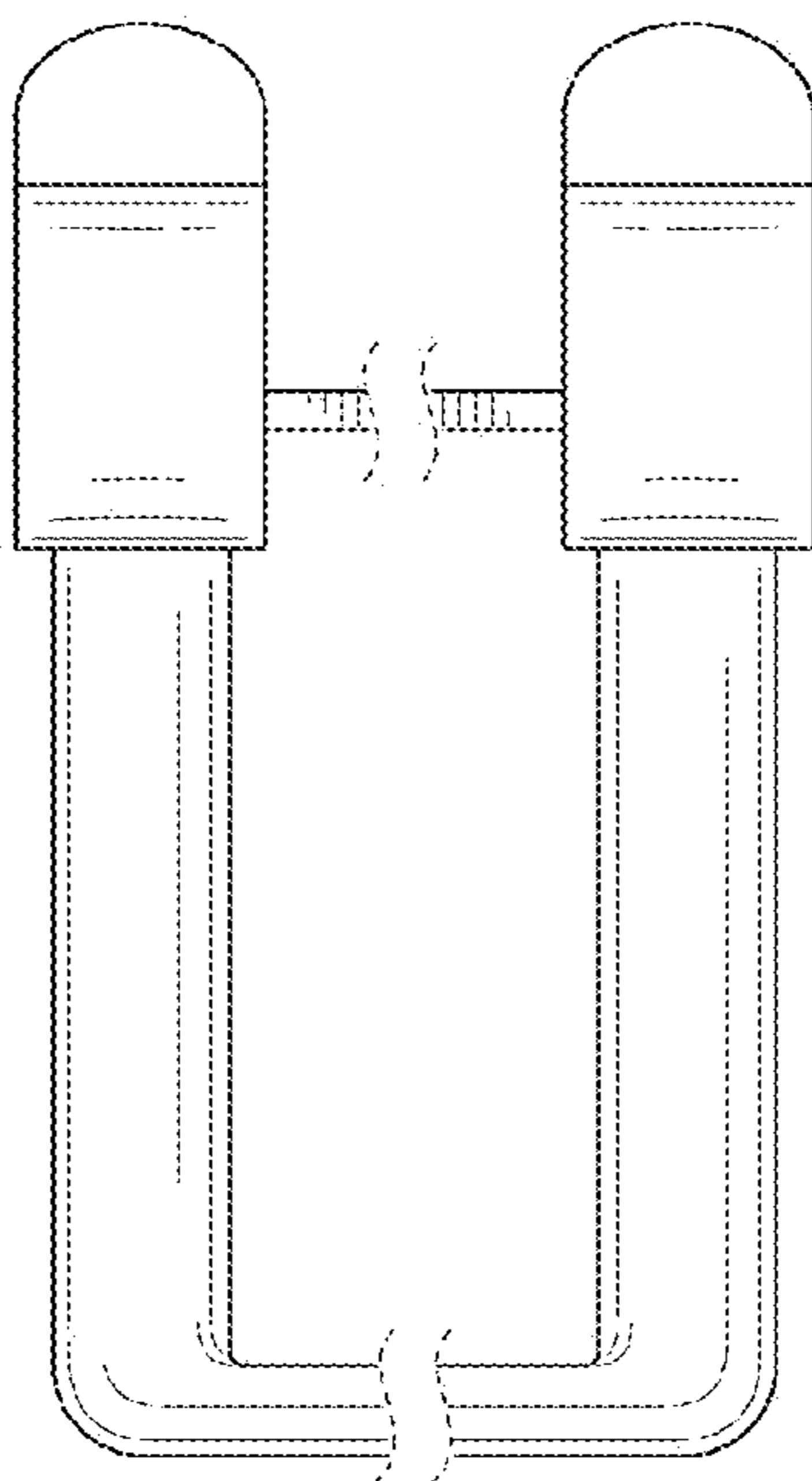


FIG. 6

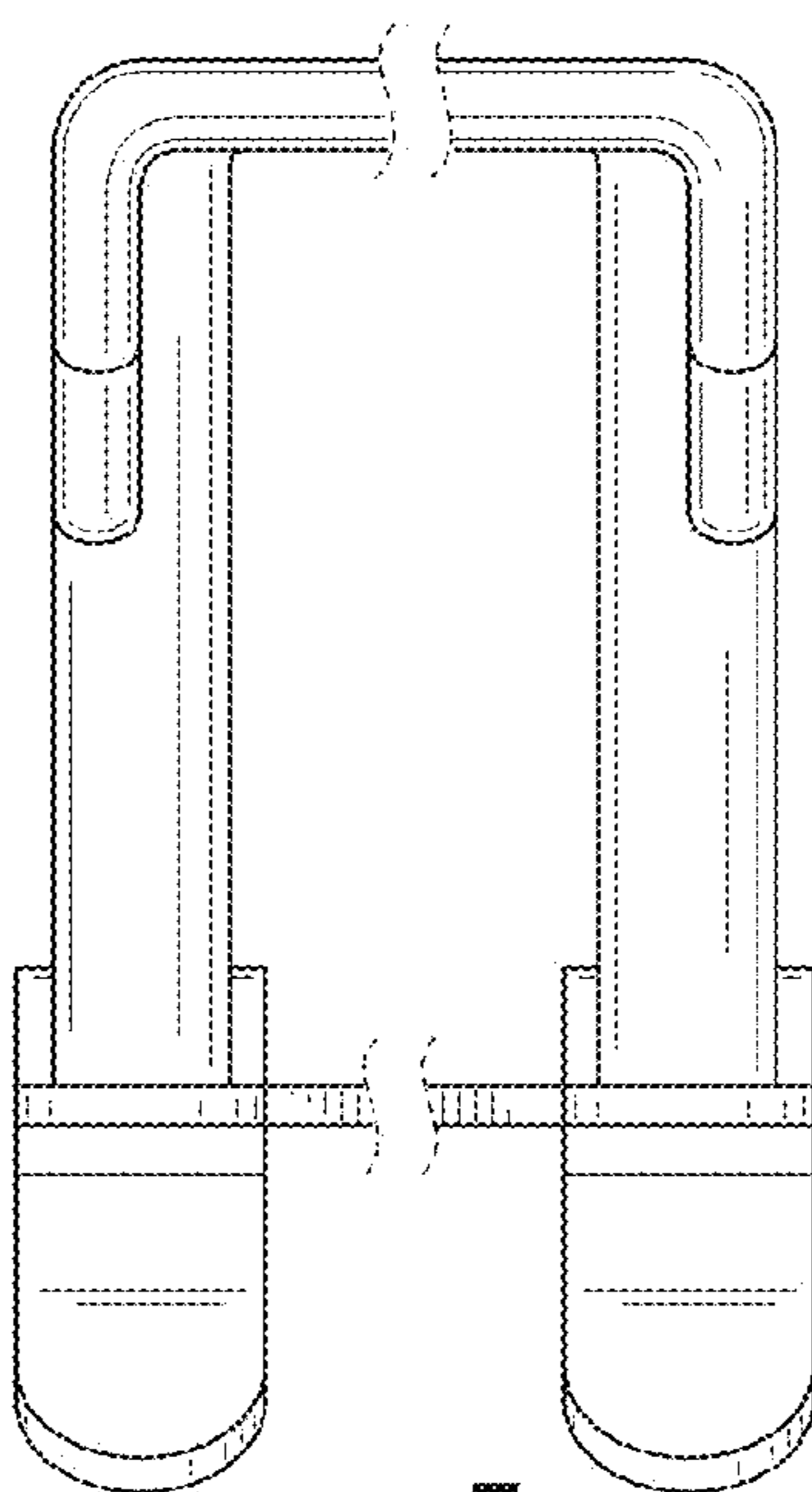


FIG. 7

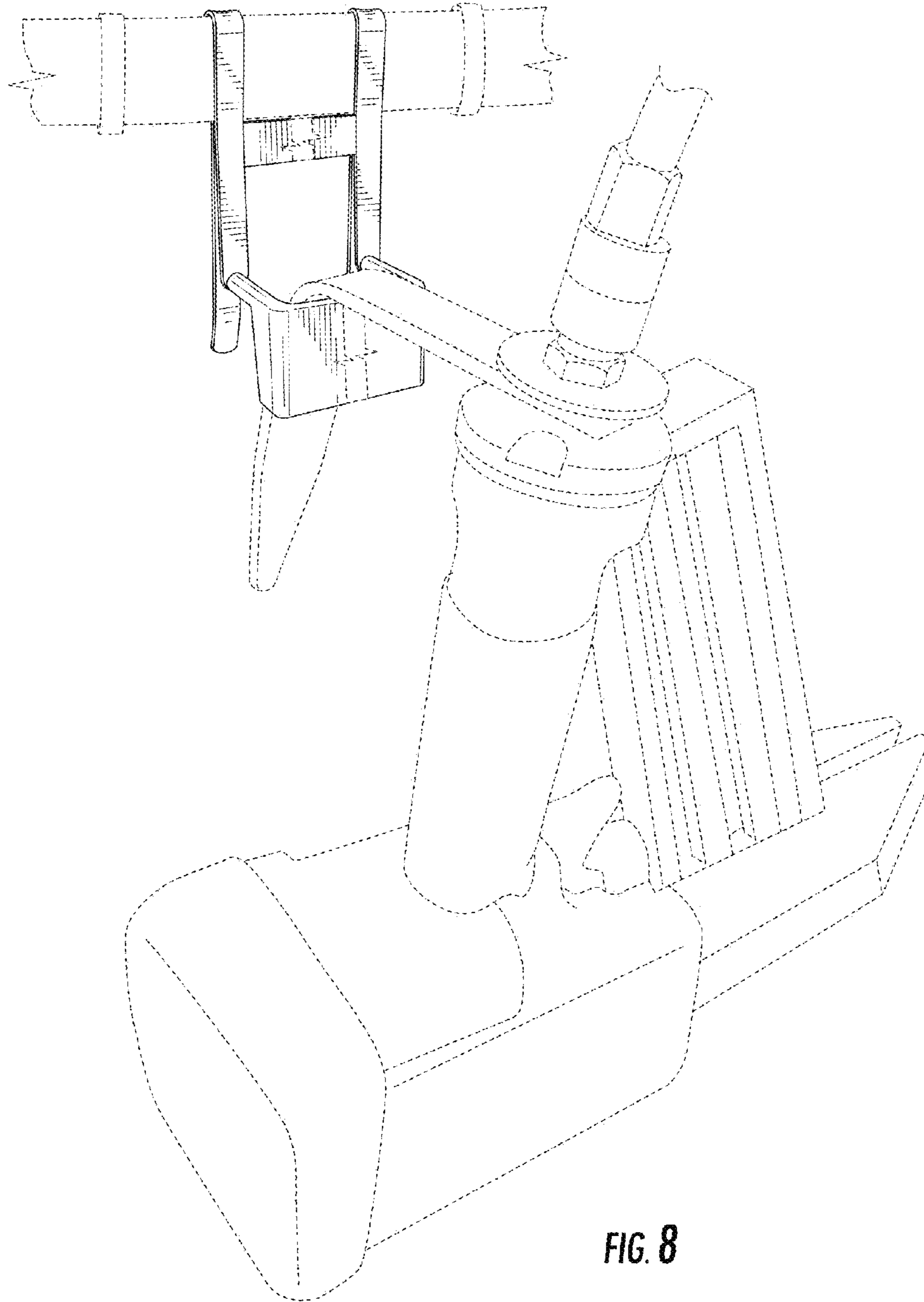


FIG. 8