

US00D762372S

(12) **United States Design Patent**  
**Jarratt**

(10) **Patent No.:** **US D762,372 S**

(45) **Date of Patent:** **\*\* Aug. 2, 2016**

(54) **SOCK WITH RECEIVING APERTURE**

(71) Applicant: **Hugh Mills Jarratt**, Fayetteville, AR  
(US)

(72) Inventor: **Hugh Mills Jarratt**, Fayetteville, AR  
(US)

(\*\*) Term: **14 Years**

(21) Appl. No.: **29/504,297**

(22) Filed: **Oct. 3, 2014**

(51) **LOC (10) Cl.** ..... **02-04**

(52) **U.S. Cl.**  
USPC ..... **D2/980**

(58) **Field of Classification Search**  
USPC ..... D24/192; D2/938-985, 988, 992, 994  
CPC .... A41B 11/006; A41B 11/00; A41B 11/005;  
A41D 27/20  
See application file for complete search history.

(56) **References Cited**

U.S. PATENT DOCUMENTS

2,926,512	A *	3/1960	Robertson	.....	A41B 11/00 66/173
4,422,307	A *	12/1983	Thorneburg	.....	A41B 11/003 2/239
D329,324	S *	9/1992	Stokely	.....	D2/980
5,157,791	A	10/1992	Woodson		
5,651,142	A	7/1997	del Valle Mas		
5,682,616	A	11/1997	Pisano		
D395,158	S	6/1998	Lindaman		
5,946,731	A *	9/1999	Finlay	.....	A41B 11/00 2/239
D417,067	S *	11/1999	Asakura	.....	D2/980
D418,969	S *	1/2000	Marshall	.....	D2/980
6,032,295	A *	3/2000	Marshall	.....	A41B 11/003 2/239
D445,247	S *	7/2001	Asakura	.....	D2/980
6,354,114	B1	3/2002	Sghiatti		

D554,849	S *	11/2007	Newson	.....	D2/980
D560,347	S *	1/2008	Veley	.....	D2/980
D600,438	S	9/2009	Edy		
D601,336	S *	10/2009	Stewart	.....	D2/980
D621,599	S *	8/2010	Sitzman	.....	D2/980

\* cited by examiner

*Primary Examiner* — George D Kirschbaum

*Assistant Examiner* — Jennifer Watkins

(74) *Attorney, Agent, or Firm* — Schrantz Law Firm, PLLC;  
Stephen D. Schrantz

(57) **CLAIM**

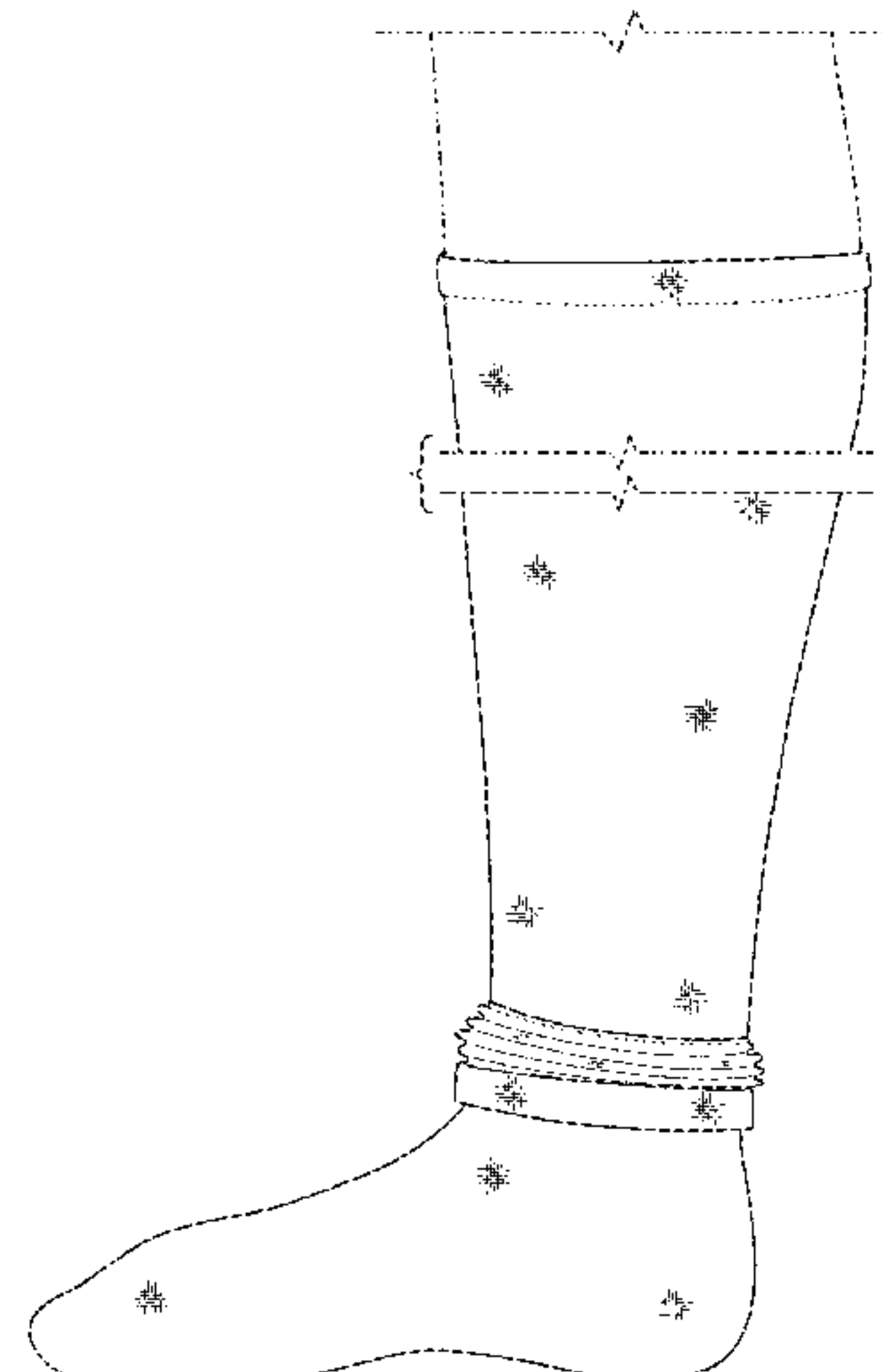
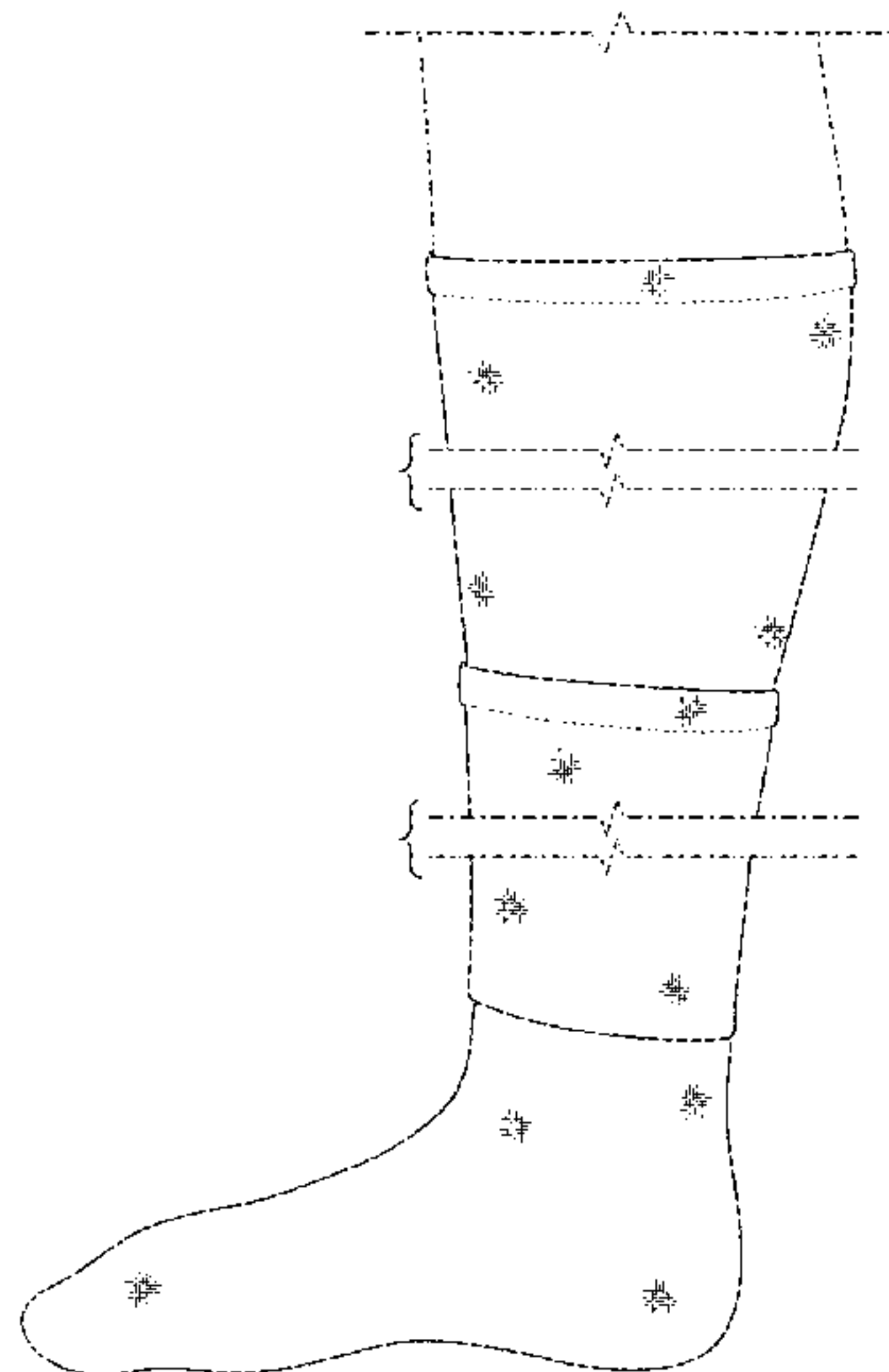
The ornamental design for a sock with receiving aperture, as shown and described.

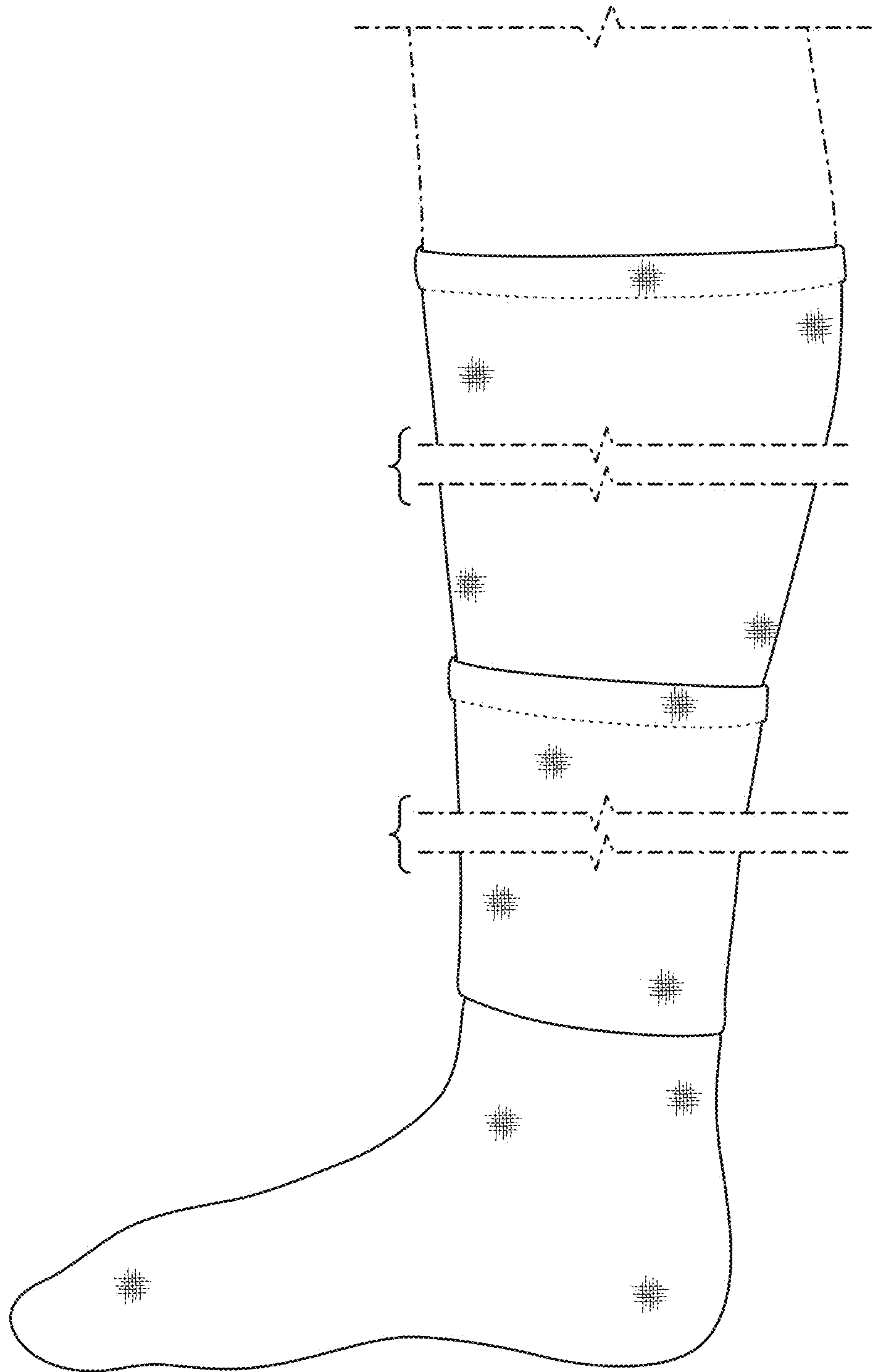
**DESCRIPTION**

FIG. 1 is a right side environmental view showing of a sock with receiving aperture in a condition of use;  
FIG. 2 is a right side environmental view thereof in an alternative condition of use;  
FIG. 3 is a right side view thereof, the left side view being a mirror image of the right side view;  
FIG. 4 is a front view thereof;  
FIG. 5 is a rear view thereof;  
FIG. 6 is a top view thereof; and,  
FIG. 7 is a bottom view thereof.

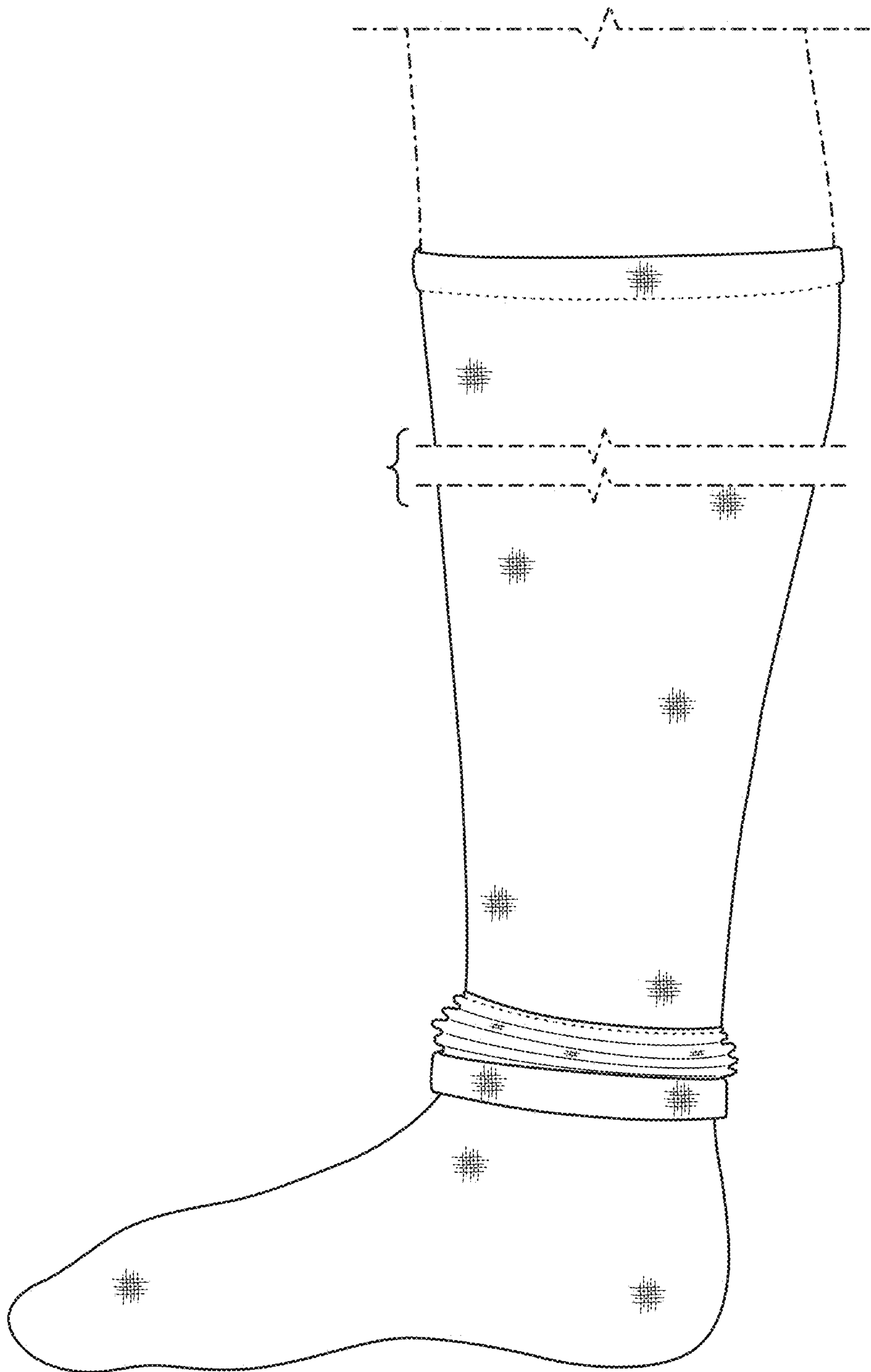
Portions shown in broken line are for illustrative purposes only and form no part of the claimed design. The breaks in the figures indicate that no specific length is claimed. The sock with receiving aperture is shown with a symbolic break in its length. The appearance of any portion of the article between the break lines forms no part of the claimed design. The unevenly dashed broken lines showing a human leg and symbolic break in FIGS. 1 and 2 are for the purpose of illustrating environment that forms no part of the claim. The evenly dashed broken lines shown on the article are for the purpose of illustrating stitching that forms no part of the claim.

**1 Claim, 3 Drawing Sheets**





**FIG. 1**



*FIG. 2*



FIG. 6

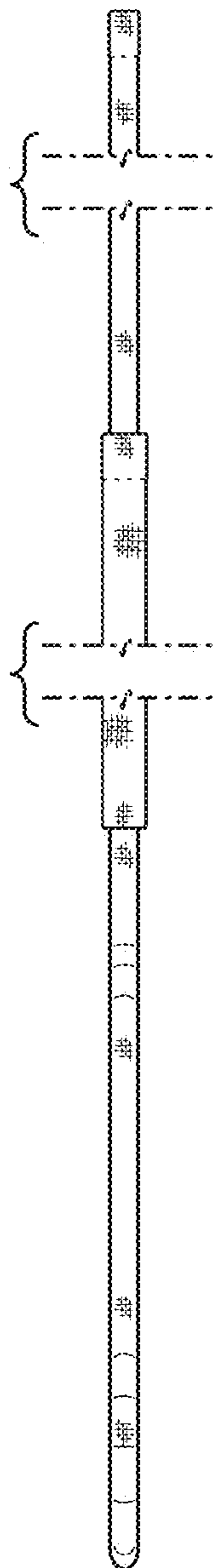


FIG. 4

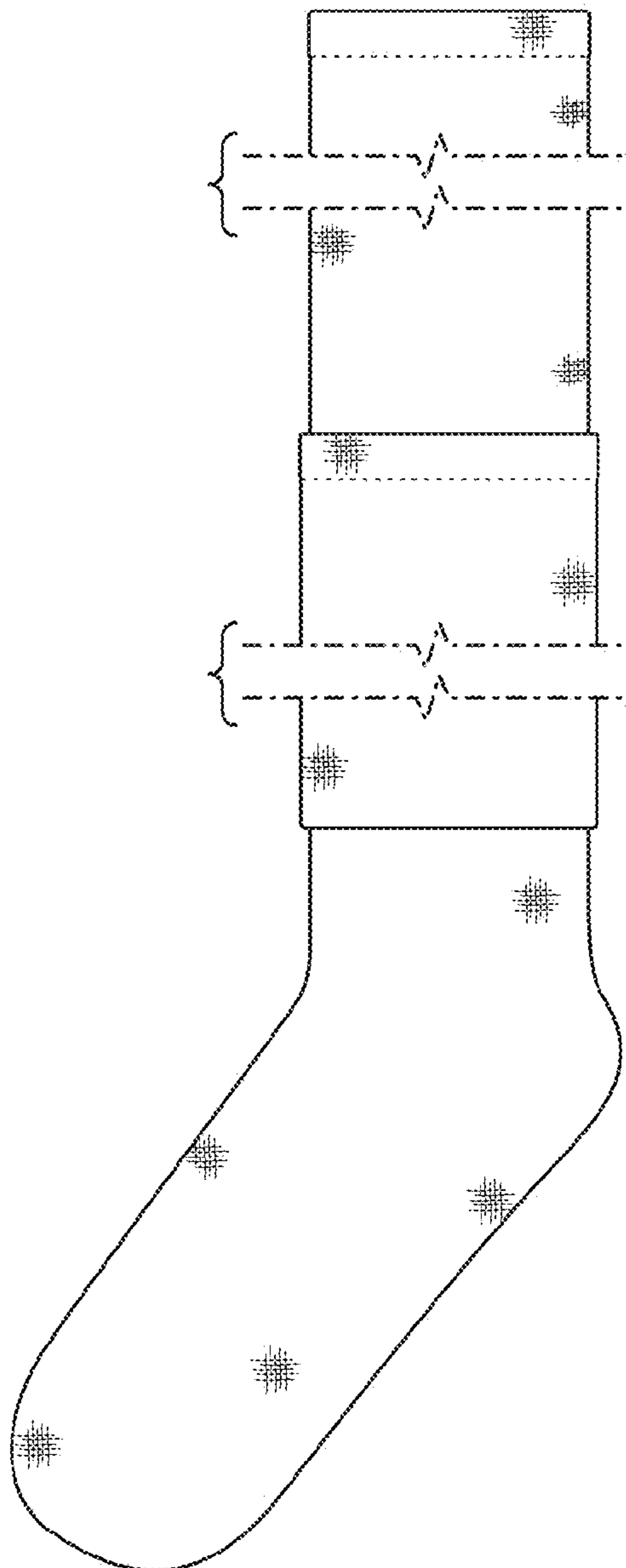


FIG. 3

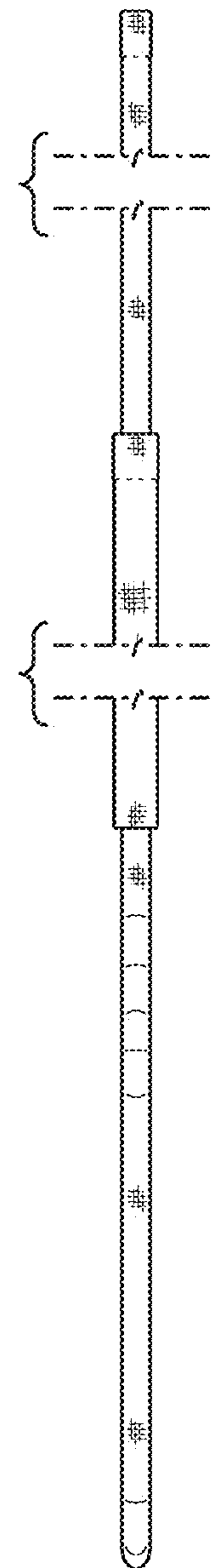


FIG. 5



FIG. 7