



US00D762352S

(12) **United States Design Patent**  
**Shelby et al.**

(10) **Patent No.:** **US D762,352 S**  
(45) **Date of Patent:** **\*\* Aug. 2, 2016**

(54) **CAP WITH DETACHABLE BOW**  
(71) Applicant: **BITS AND BOWS, LLC**, Pittsburgh, PA (US)  
(72) Inventors: **Katherine Shelby**, Allison Park, PA (US); **Sarah Shelby**, Allison Park, PA (US)  
(\*\*) Term: **14 Years**  
(21) Appl. No.: **29/500,350**  
(22) Filed: **Aug. 25, 2014**  
(51) **LOC (10) Cl.** ..... **02-03**  
(52) **U.S. Cl.**  
USPC ..... **D2/895**  
(58) **Field of Classification Search**  
USPC ..... D2/600, 606, 69, 865, 866, 867, 868, D2/869, 870, 871, 872, 873, 874, 875, 876, D2/877, 878, 879, 880, 881, 882, 883, 884, D2/885, 886, 887, 888, 889, 890, 891, 892, D2/893, 894, 895; D11/117, 130, 131; D28/39, 41, 42, 43  
CPC ..... A41D 20/00; A41D 25/00; A41D 25/02; A41D 25/12; A42C 1/00; A42C 1/004; A42C 1/06; A42C 1/062; A42C 1/064; A42C 1/205; A42C 5/00; A44B 9/00; A44B 9/02; A44B 9/06; A45D 8/00; A45D 2008/002; A45D 2008/004; A45D 2008/006; A45D 2008/008  
See application file for complete search history.

(56) **References Cited**  
**U.S. PATENT DOCUMENTS**  
D47,544 S \* 7/1915 Oldendorf ..... D2/886  
1,456,757 A \* 5/1923 Berkson ..... A41D 25/02  
2/51  
1,527,230 A \* 2/1925 Schreter ..... A41D 25/02  
2/154  
1,537,664 A \* 5/1925 Friedman ..... A41D 25/02  
2/154  
1,539,913 A \* 6/1925 Reinhart ..... A41D 25/02  
2/151

1,675,999 A \* 7/1928 Weinstein ..... A41D 25/001  
2/151  
1,676,291 A \* 7/1928 Schultz ..... A41D 25/04  
2/151  
1,737,072 A \* 11/1929 Blach ..... A41D 25/02  
2/151  
1,838,486 A \* 12/1931 Ingraham ..... A41D 25/027  
24/109  
2,003,359 A \* 6/1935 Halpern ..... A41D 25/04  
2/155  
2,029,181 A \* 1/1936 Mayer ..... A41D 25/04  
2/155  
D128,993 S \* 8/1941 Maxwell ..... D2/888  
D128,996 S \* 8/1941 Maxwell ..... D2/888  
D129,000 S \* 8/1941 Tripp ..... D2/882  
D136,854 S \* 12/1943 Julian ..... D28/41

(Continued)

*Primary Examiner* — Karen E. Eldridge Powers  
*Assistant Examiner* — Jasmine Mlinarcik  
(74) *Attorney, Agent, or Firm* — David G. Oberdick

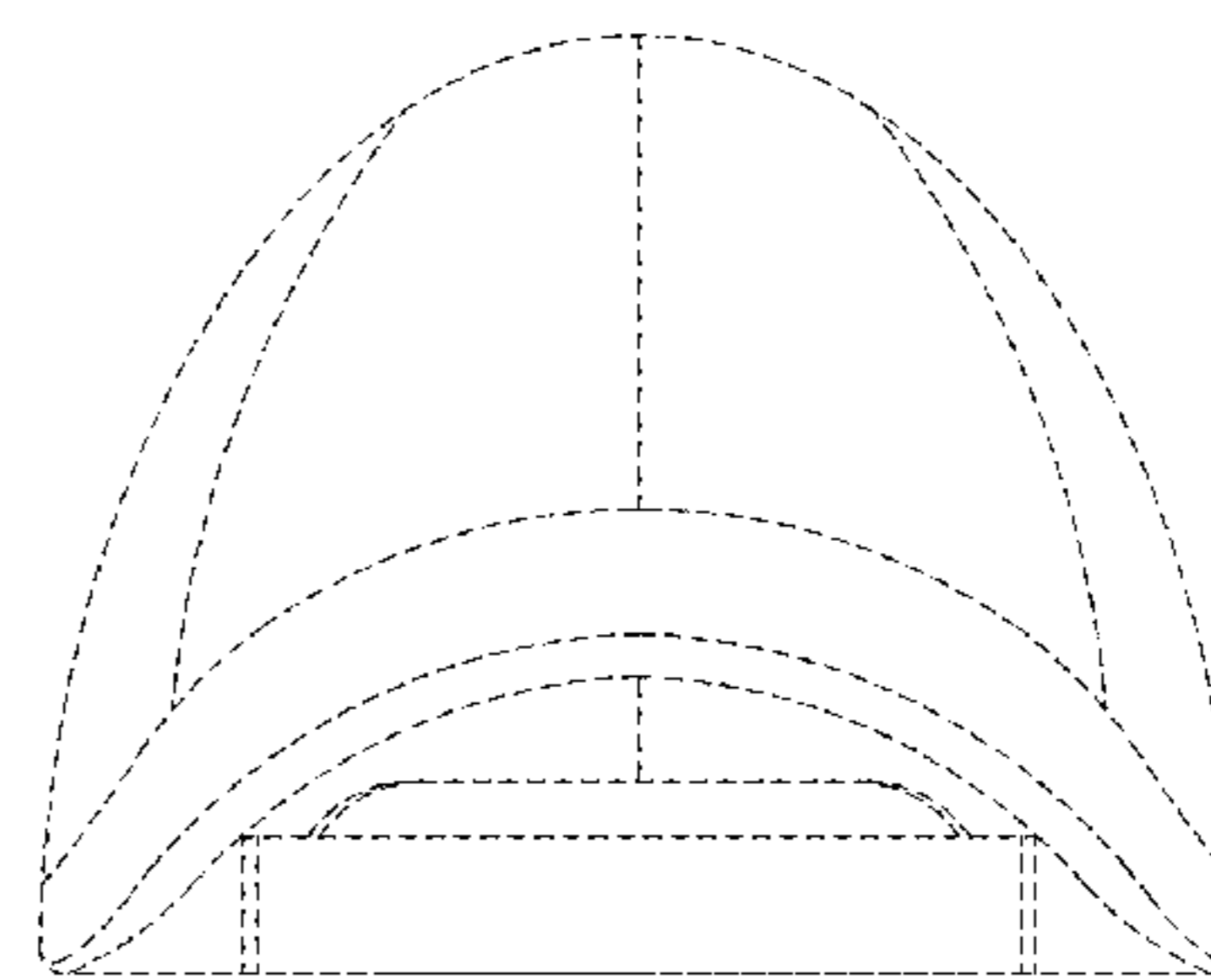
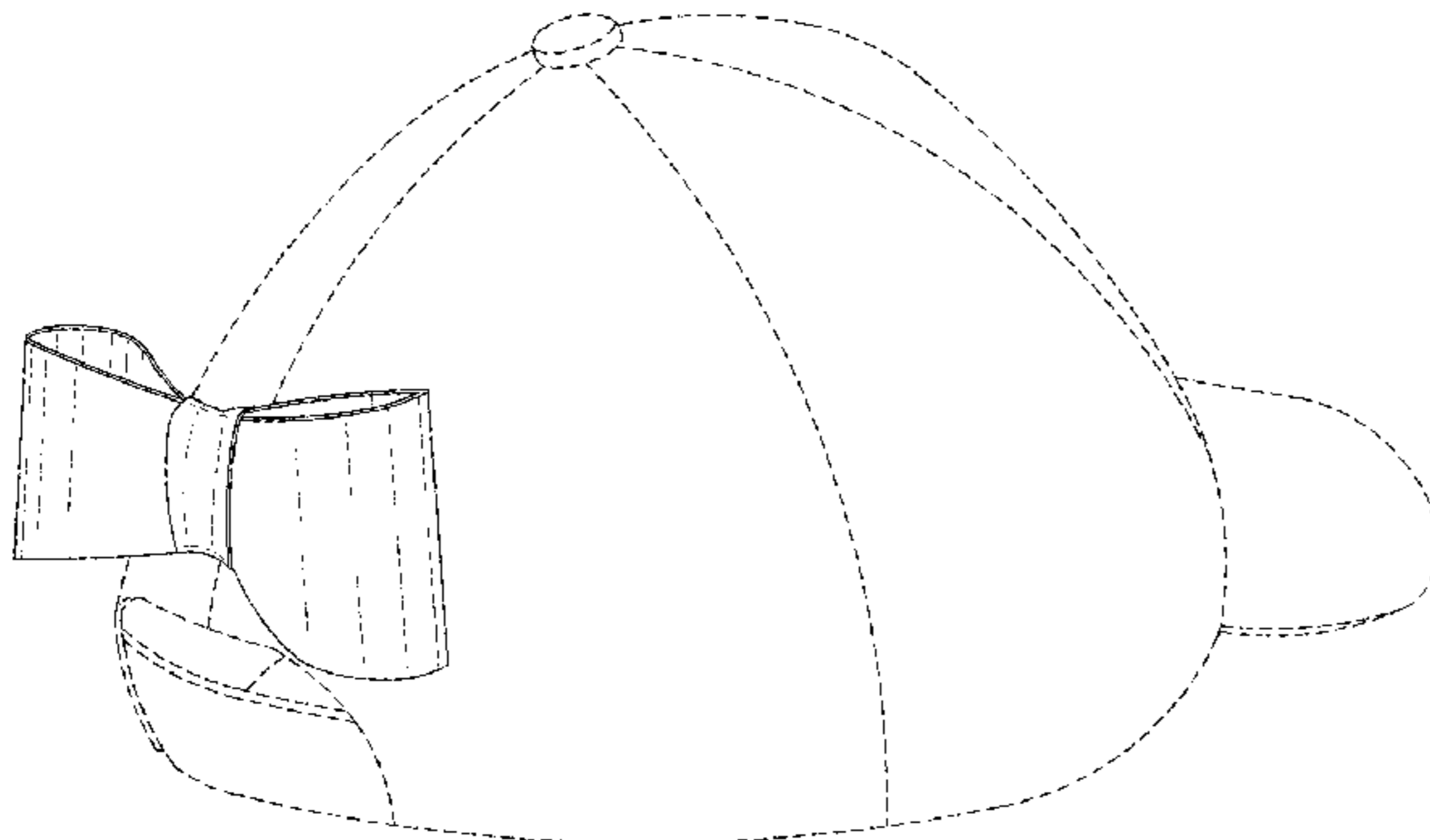
(57) **CLAIM**

The ornamental design for the cap with detachable bow, as shown and described.

**DESCRIPTION**

FIG. 1 is a perspective view of a cap with detachable bow showing our new design;  
FIG. 2 is a top plan view of the cap with detachable bow shown in FIG. 1;  
FIG. 3 is a right side elevation view of the cap with detachable bow shown in FIG. 1;  
FIG. 4 is a rear elevation view of the cap with detachable bow shown in FIG. 1;  
FIG. 5 is a front plan view of the cap with detachable bow shown in FIG. 1;  
FIG. 6 is a left side elevation view of the cap with detachable bow shown in FIG. 1; and,  
FIG. 7 is a bottom plan view of the cap with detachable bow shown in FIG. 1,  
The broken lines represent environmental structure that forms no part of the claimed design.

**1 Claim, 4 Drawing Sheets**



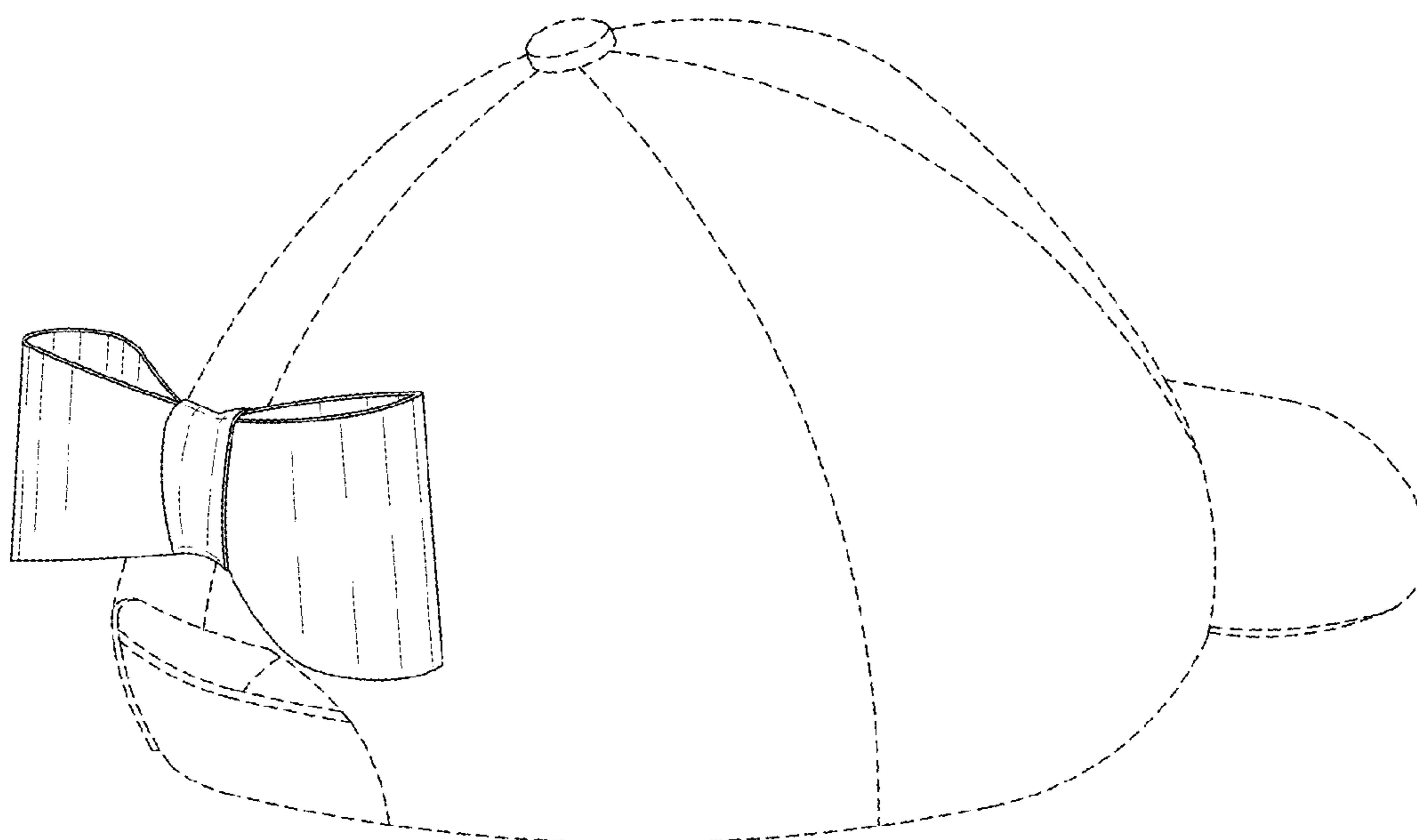
(56)

References Cited

U.S. PATENT DOCUMENTS

2,578,269	A *	12/1951	Sinton .....	A41D 25/02 2/151	D473,695	S	4/2003	Butcher
2,886,912	A *	5/1959	Rowland .....	D04D 7/10 2/244	7,052,154	B2	5/2006	Vanderschuit
4,896,685	A *	1/1990	Lawrence .....	A45D 8/26 132/276	D523,187	S *	6/2006	Bazar ..... D30/152
5,170,509	A	12/1992	Leopold		D534,333	S *	1/2007	Jones ..... D2/606
D347,311	S *	5/1994	Butler .....	D2/871	D535,055	S *	1/2007	Been ..... D2/606
5,485,355	A	1/1996	Voskoboinik et al.		D570,580	S	6/2008	Paul et al.
5,509,145	A	4/1996	Stevenson et al.		D595,482	S	7/2009	Aron
5,511,249	A	4/1996	Higgins		D604,504	S	11/2009	Brinegar
D373,078	S *	8/1996	Cheng .....	D2/869	D606,304	S	12/2009	Brinegar
5,636,384	A *	6/1997	Draughon .....	D04D 7/10 2/151	D609,903	S	2/2010	Brinegar
5,771,493	A	6/1998	Proctor		D609,904	S	2/2010	Brinegar
5,845,987	A	12/1998	Painter		D631,249	S	1/2011	Brinegar
5,901,381	A *	5/1999	Nelson .....	A41D 20/00 2/171	D722,690	S *	2/2015	Barrett ..... D2/866
5,933,872	A	8/1999	Lema		D749,304	S *	2/2016	Woolf ..... D2/878
D421,665	S *	3/2000	Farmer-Abney .....	D11/184	2003/0151910	A1	8/2003	Marston
6,185,749	B1	2/2001	Williams		2003/0231485	A1	12/2003	Chien
					2006/0010566	A1	1/2006	Ridgeway
					2007/0064413	A1	3/2007	Slater
					2009/0178181	A1	7/2009	Brinegar
					2011/0253273	A1	10/2011	Kay
					2012/0183168	A1	7/2012	Humes
					2012/0214013	A1	8/2012	Namsaraeva
					2013/0042388	A1	2/2013	Lasko et al.

\* cited by examiner



*FIG. 1*

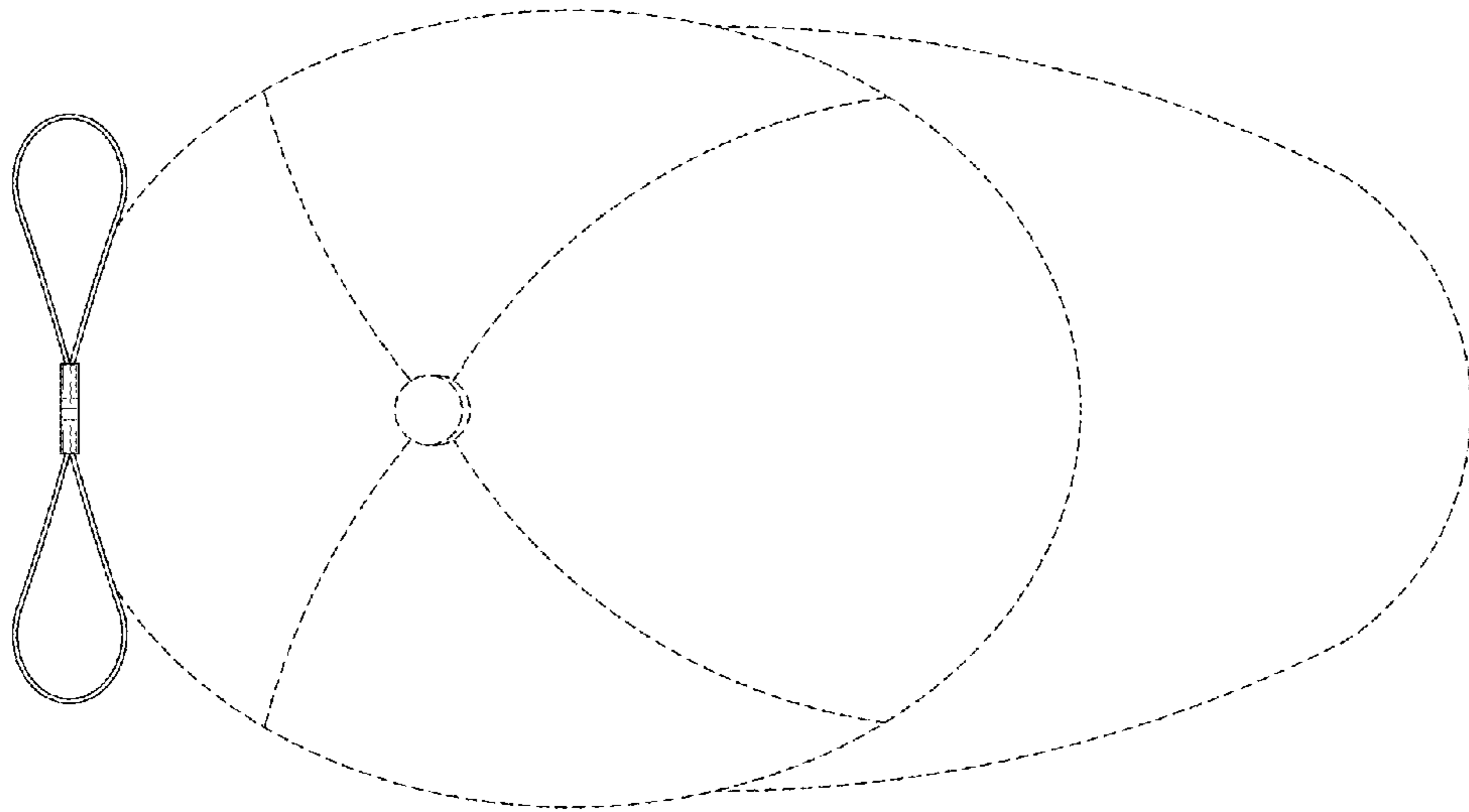


FIG. 2

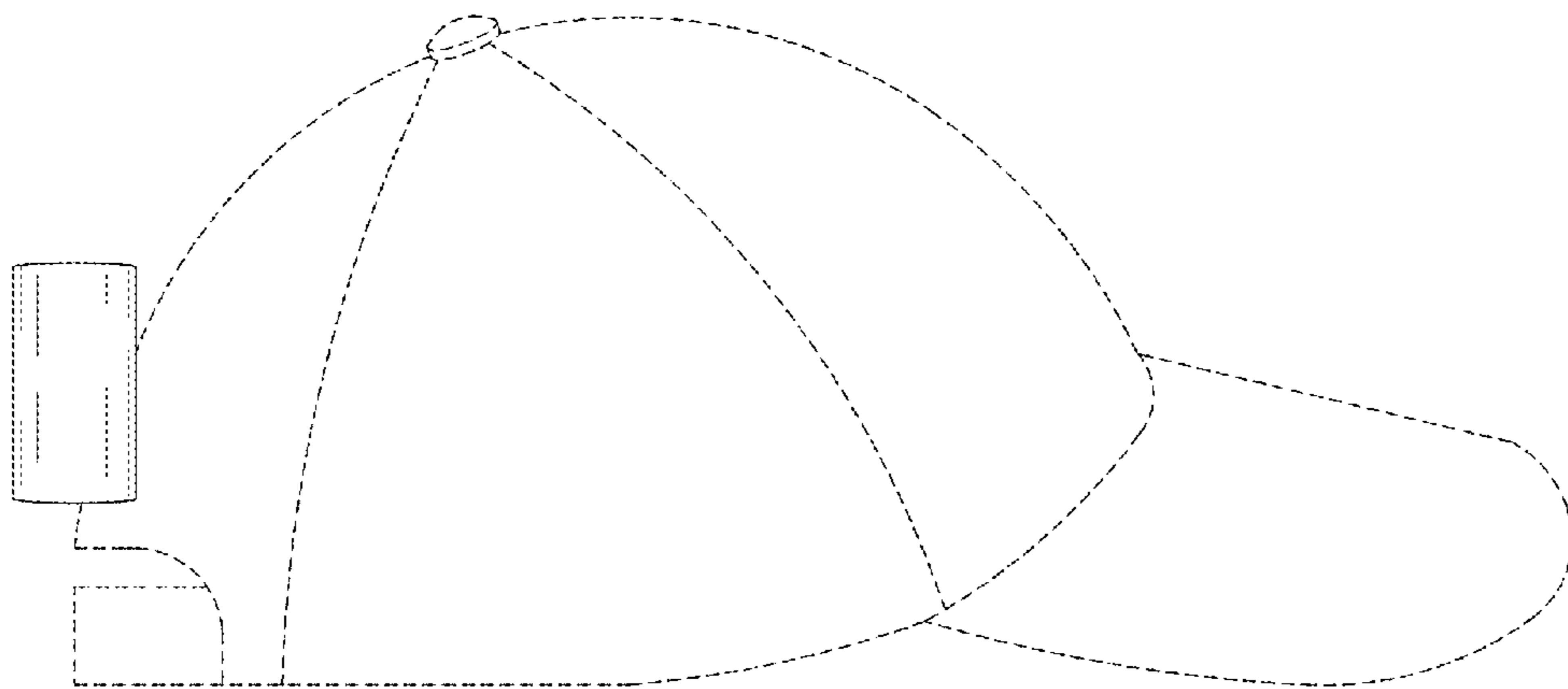
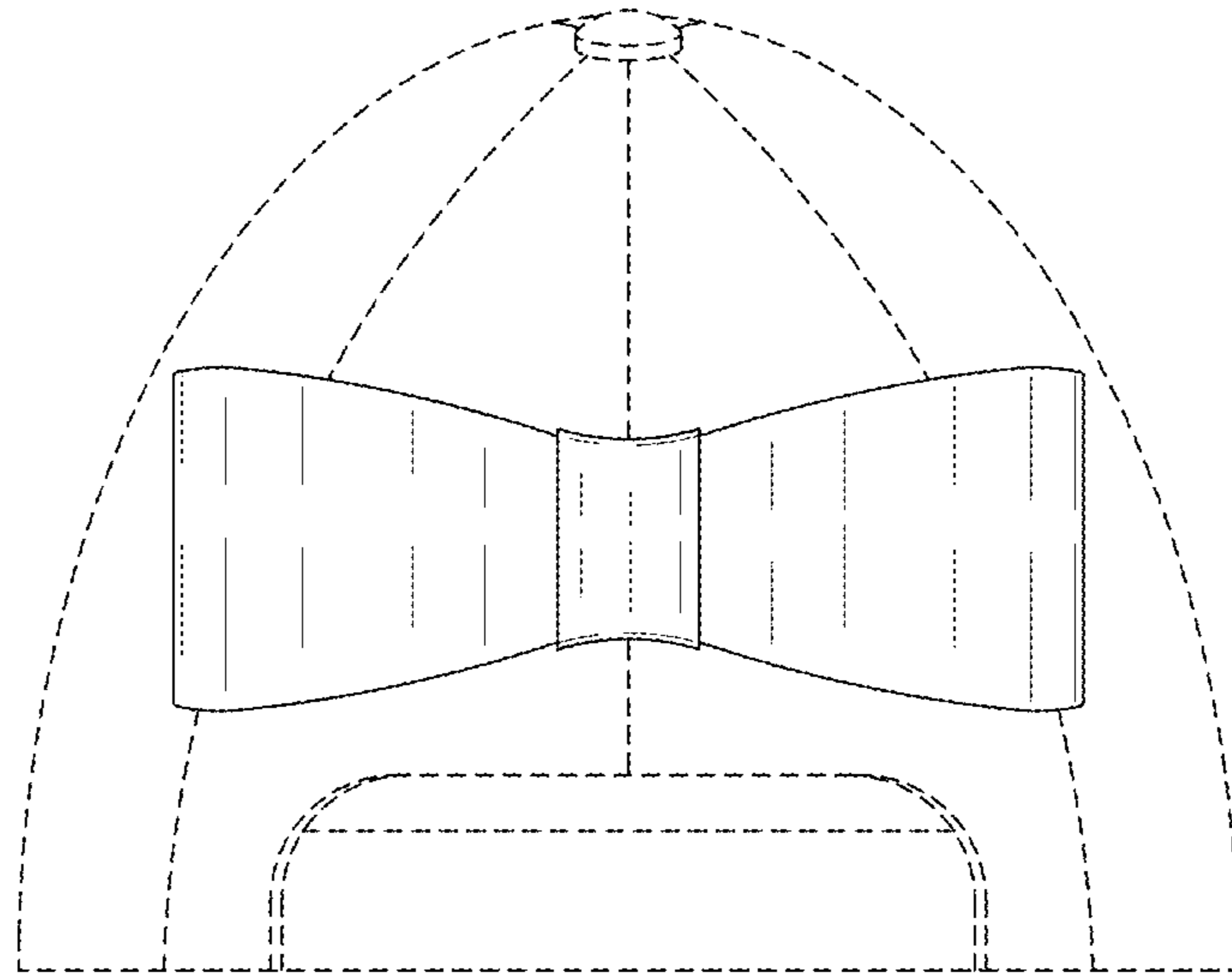
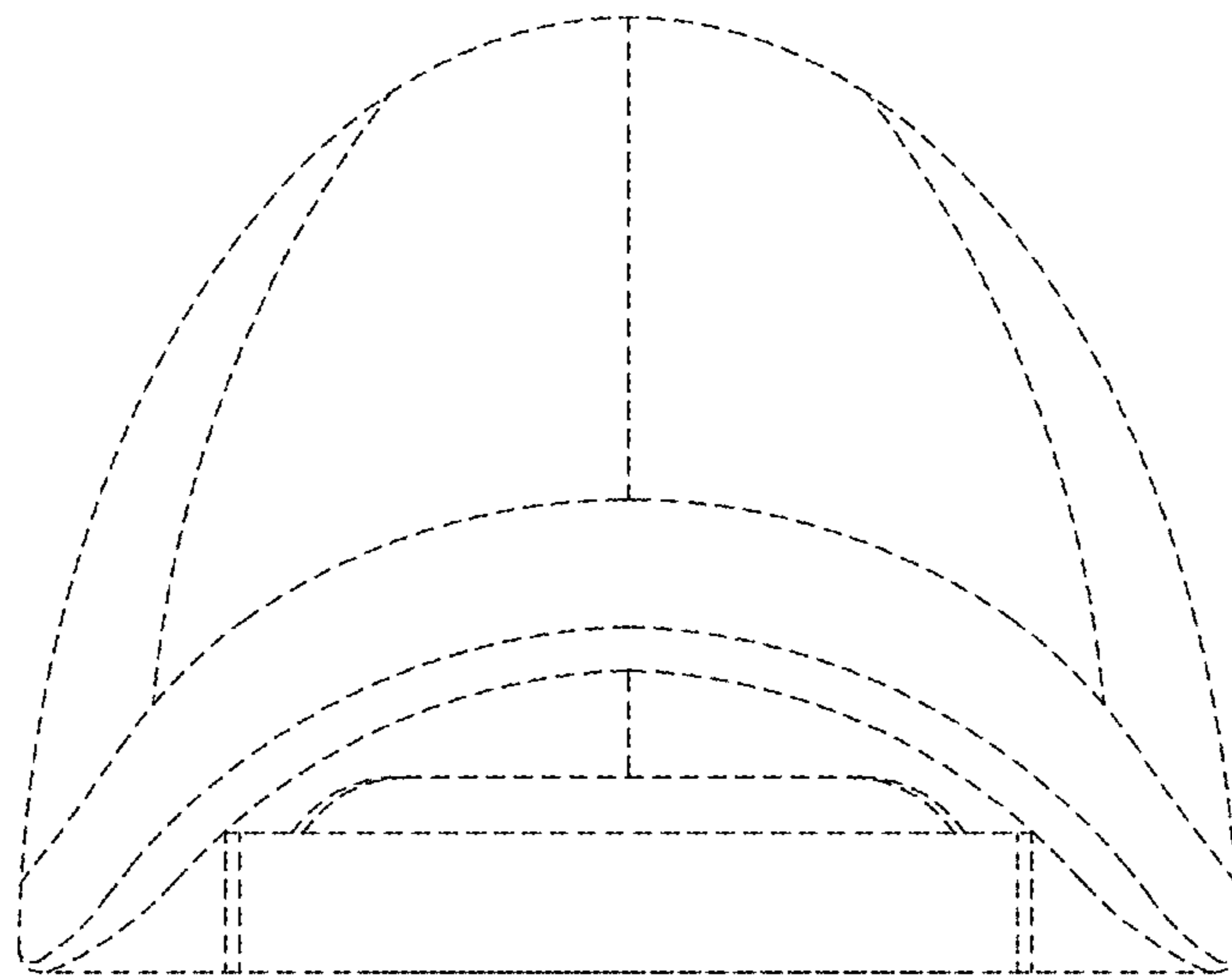


FIG. 3



*FIG. 4*



*FIG. 5*

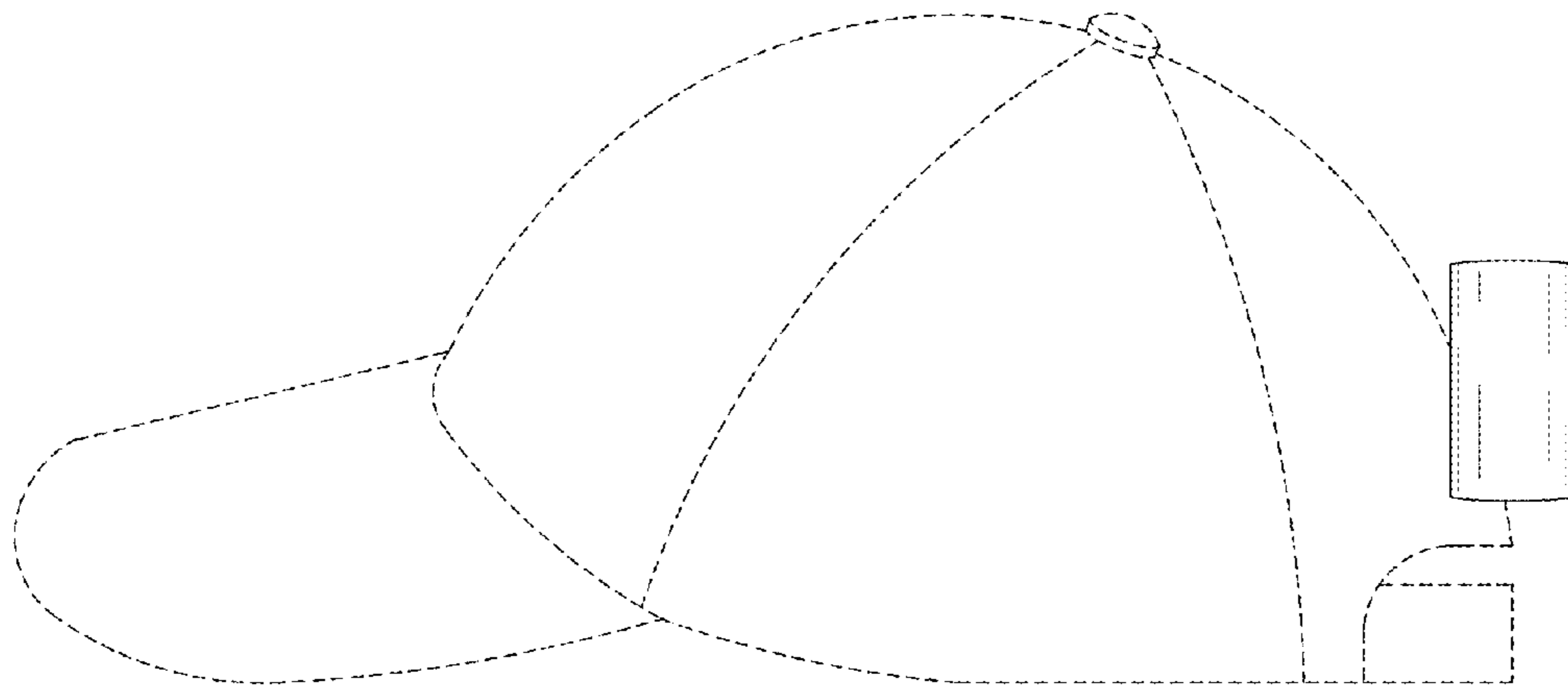


FIG. 6

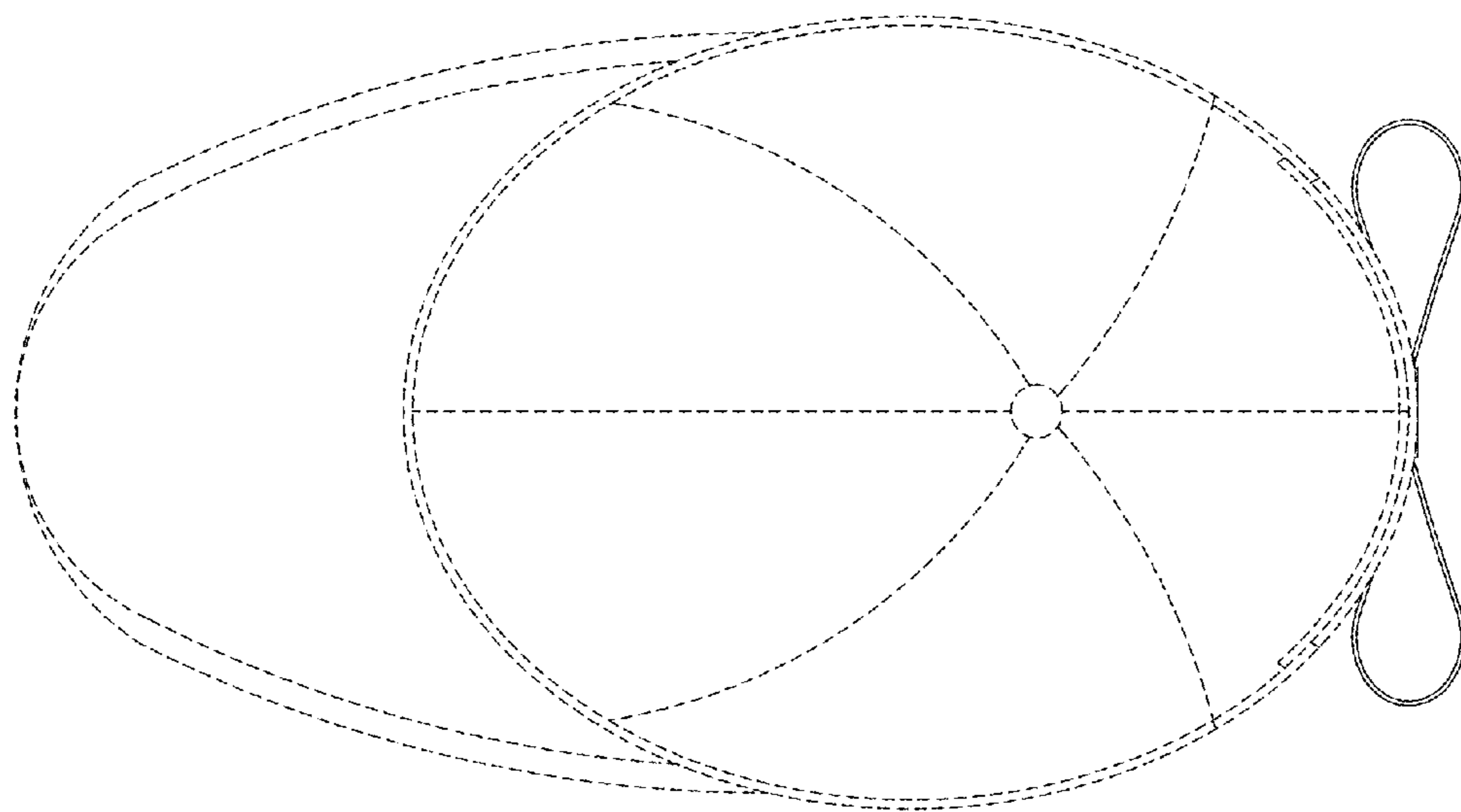


FIG. 7