



US00D762342S

(12) **United States Design Patent**  
**Stenvik**

(10) **Patent No.:** **US D762,342 S**

(45) **Date of Patent:** **\*\* Aug. 2, 2016**

(54) **CHEESECAKE FILLING WITH EMBEDDED SWIRL**

D661,866 S \* 6/2012 Asakura ..... D1/127  
D703,917 S \* 5/2014 Rodgers ..... D1/127  
2011/0033577 A1\* 2/2011 Molchan ..... A21D 13/0009  
426/72

(71) Applicant: **General Mills, Inc.**, Minneapolis, MN (US)

FOREIGN PATENT DOCUMENTS

(72) Inventor: **Ralph A Stenvik**, Plymouth, MN (US)

EP 1036501 9/2000

(73) Assignee: **General Mills, Inc.**, Minneapolis, MN (US)

OTHER PUBLICATIONS

(\*\*) Term: **14 Years**

Candiquik. "Vanilla Biscoff Swirl Fudge." Miss Candiquik. Nov. 29, 2012. Web. Mar. 28, 2016. <<http://blog.candiquik.com/vanilla-biscoff-swirl-fudge/>>.\*

(21) Appl. No.: **29/512,412**

\* cited by examiner

(22) Filed: **Dec. 18, 2014**

*Primary Examiner* — Garth Rademaker

(51) **LOC (10) Cl.** ..... **01-01**

*Assistant Examiner* — Katie S Mroczka

(52) **U.S. Cl.**

(74) *Attorney, Agent, or Firm* — Diederiks & Whitelaw, PLC; Gregory P. Kaihoi, Esq.

USPC ..... **D1/129**

(58) **Field of Classification Search**

(57) **CLAIM**

USPC ..... D1/100–130, 199; 426/104, 108, 138, 426/391, 549, 808, 94, 143, 559, 560, 414, 426/72; D11/12, 24, 40, 43, 79, 86, 95; D24/101–104; 446/118, 128; D21/484, D21/499, 503, 335; D9/707, 756, 420, 423, D9/432–434, 516; D5/7, 53, 56, 62; D28/8.1

The ornamental design for a cheesecake filling with embedded swirl, as shown and described.

See application file for complete search history.

**DESCRIPTION**

(56) **References Cited**

U.S. PATENT DOCUMENTS

D161,423 S \* 1/1951 Chaffin ..... 273/156  
D271,534 S \* 11/1983 Huzinec ..... D1/127  
D360,969 S \* 8/1995 Uecker ..... D1/125  
D366,672 S \* 1/1996 Kitzmiller ..... D1/127  
D427,746 S \* 7/2000 Cox ..... D1/102  
D428,682 S 8/2000 Rapaport  
D432,756 S 10/2000 Rapaport  
D532,182 S \* 11/2006 Hopkins ..... D1/127  
D546,679 S \* 7/2007 El-Afandi ..... D9/416  
D604,927 S \* 12/2009 Kubantseva ..... D1/121  
D613,029 S \* 4/2010 Krumholz ..... D1/127  
D619,454 S \* 7/2010 Fluegel ..... D9/423

FIG. 1 is an upper perspective view of a cheesecake filling with an embedded swirl.

FIG. 2 is a top plan view of the cheesecake filling with embedded swirl of FIG. 1;

FIG. 3 is a bottom plan view of the cheesecake filling with embedded swirl of FIG. 1;

FIG. 4 is an elevational view of one end of the cheesecake filling with embedded swirl of FIG. 1;

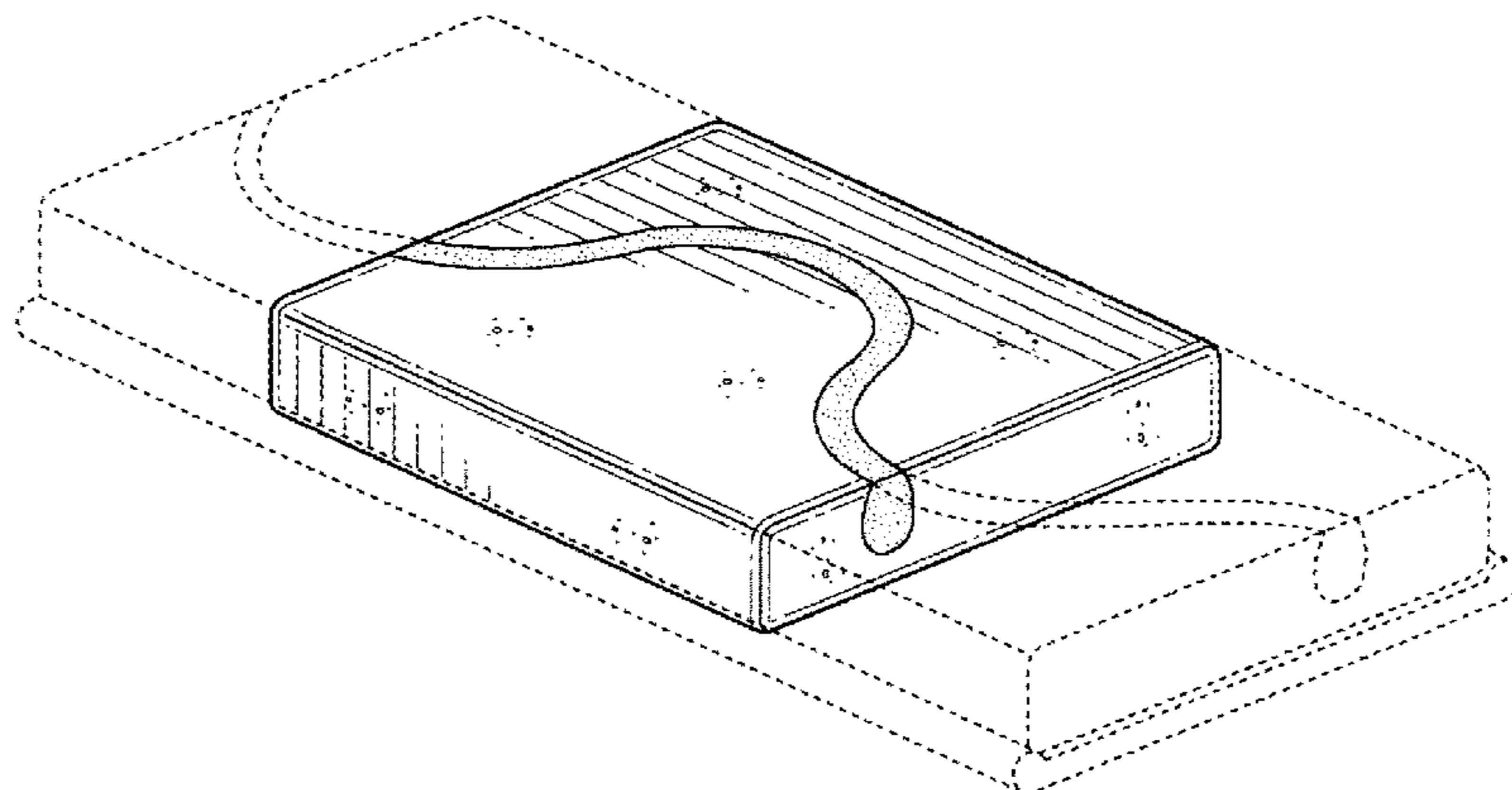
FIG. 5 is an elevational view of an opposing end of the cheesecake filling with embedded swirl of FIG. 1;

FIG. 6 is a side elevational view the cheesecake filling with embedded swirl of FIG. 1; and,

FIG. 7 is an opposing side elevational view the cheesecake filling with embedded swirl of FIG. 1.

The broken lines in FIG. 1 represent environment that forms no part of the claim.

**1 Claim, 2 Drawing Sheets**



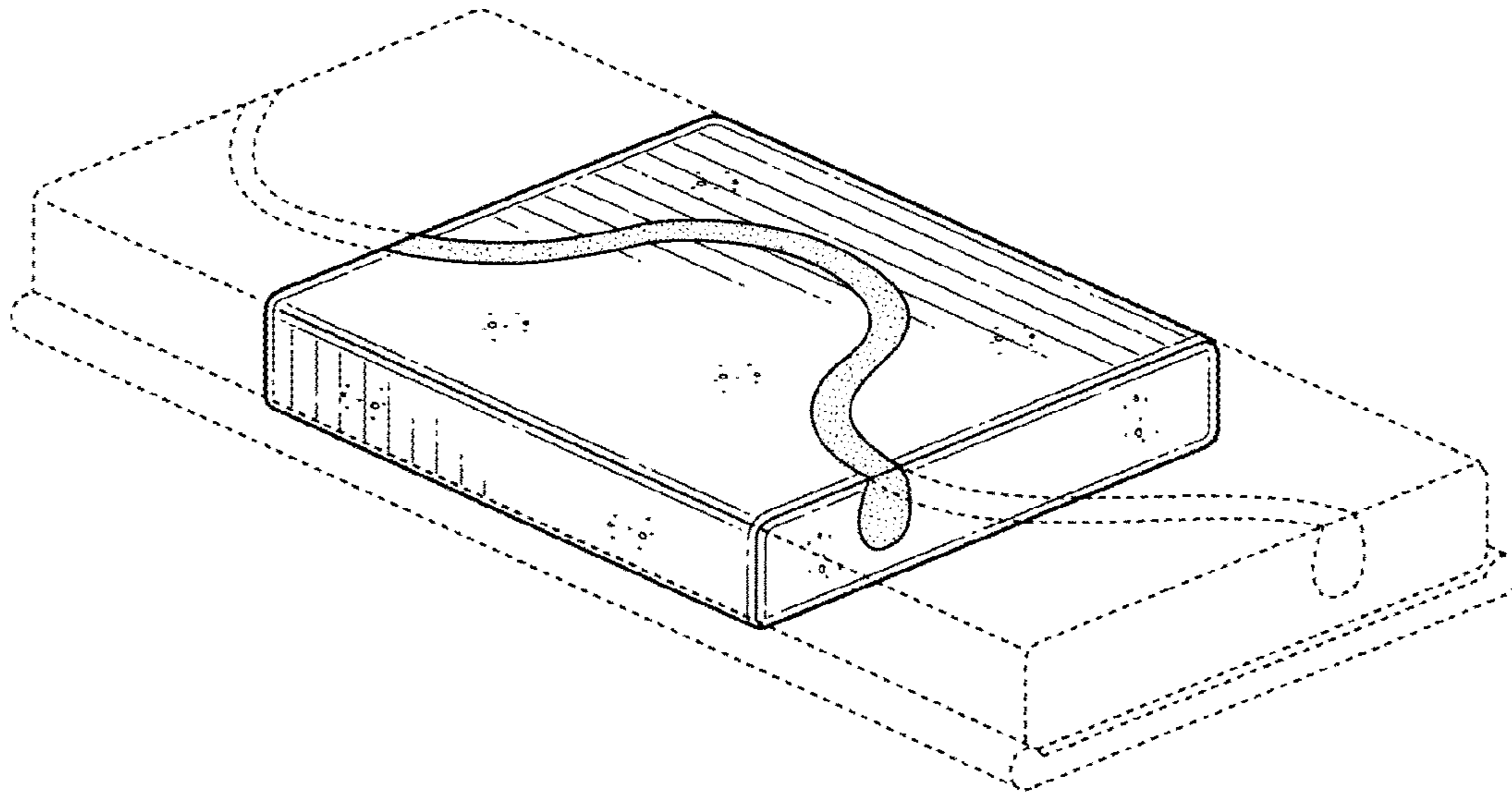


FIG. 1

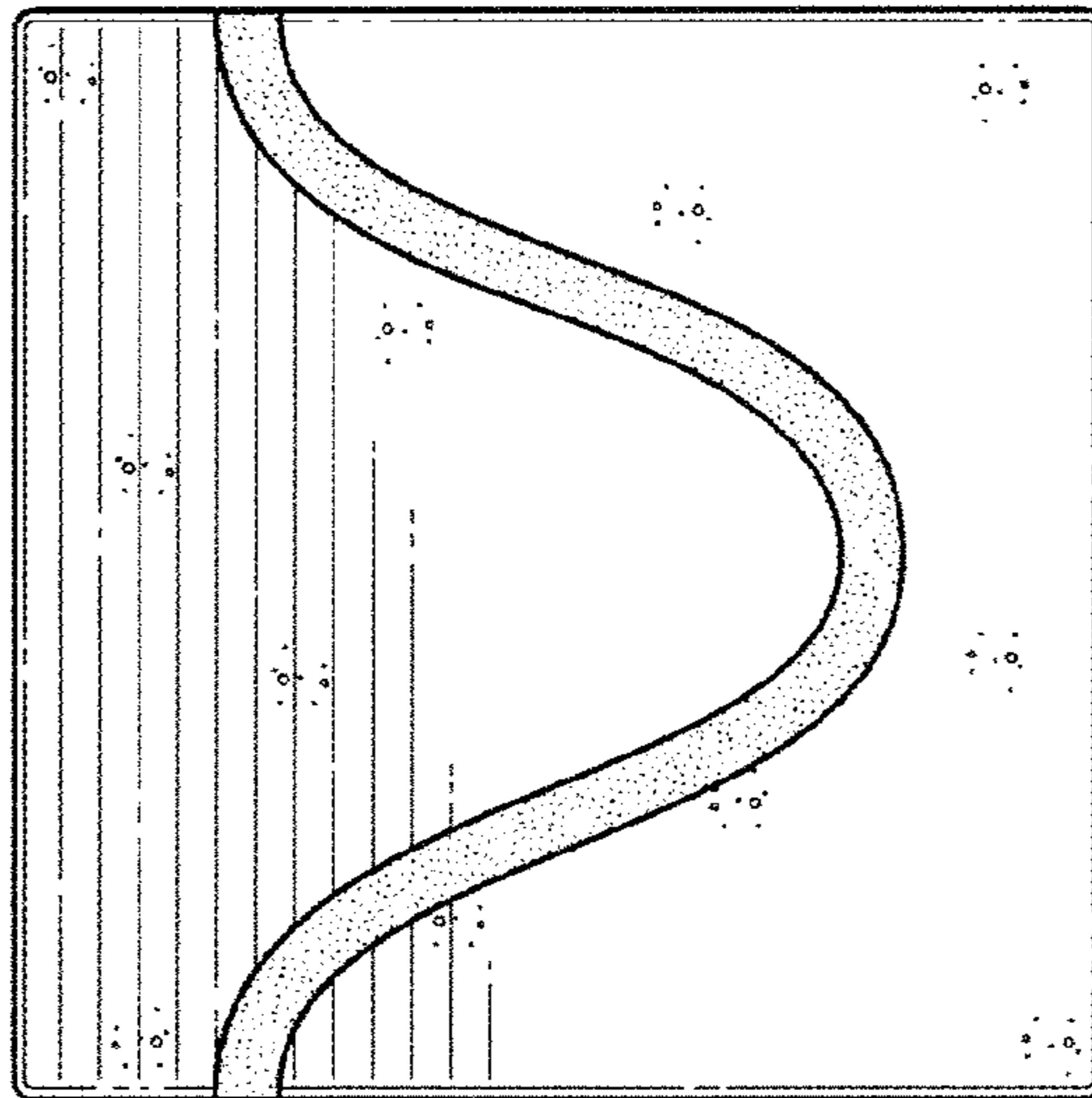


FIG. 2

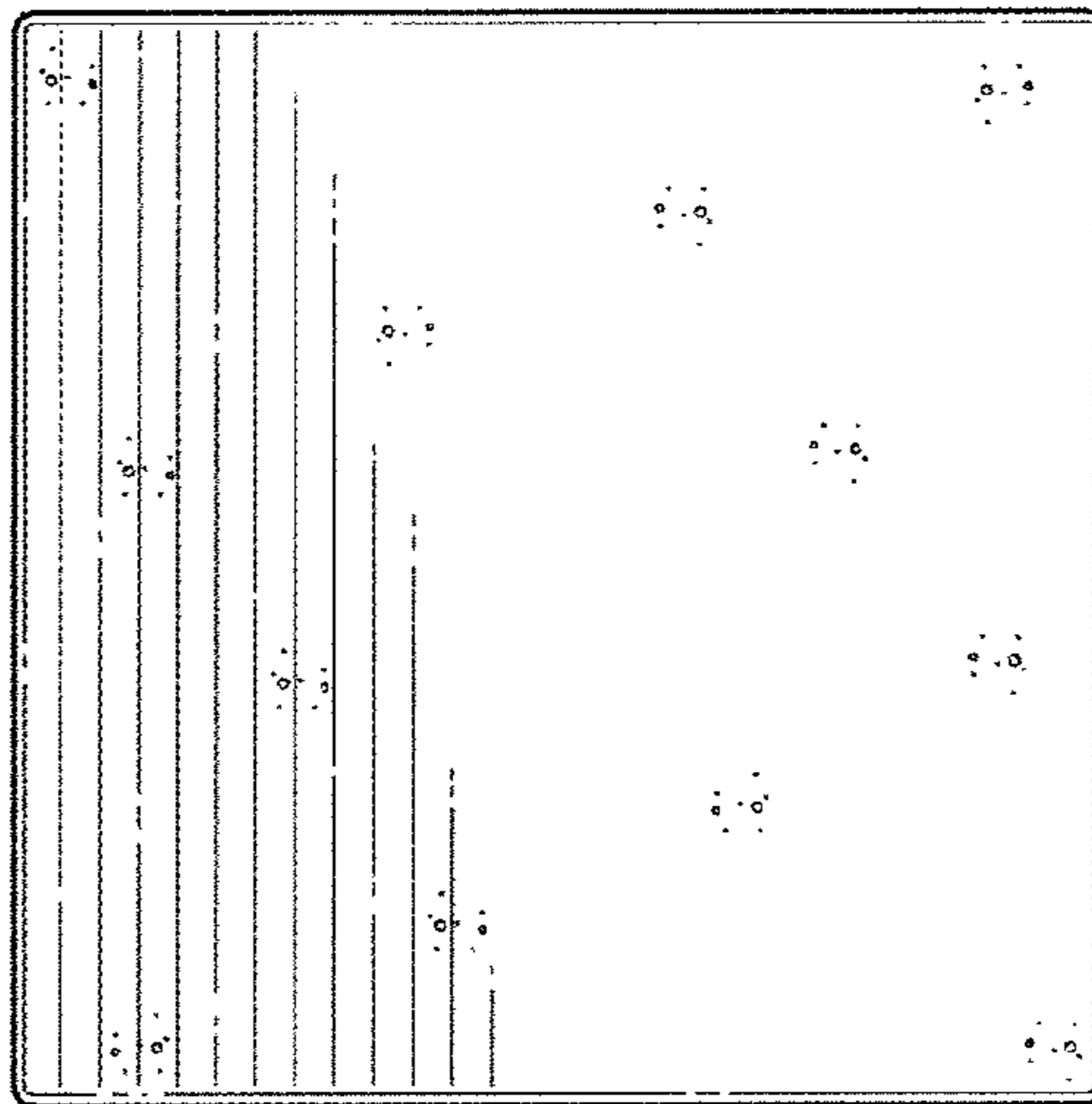


FIG. 3

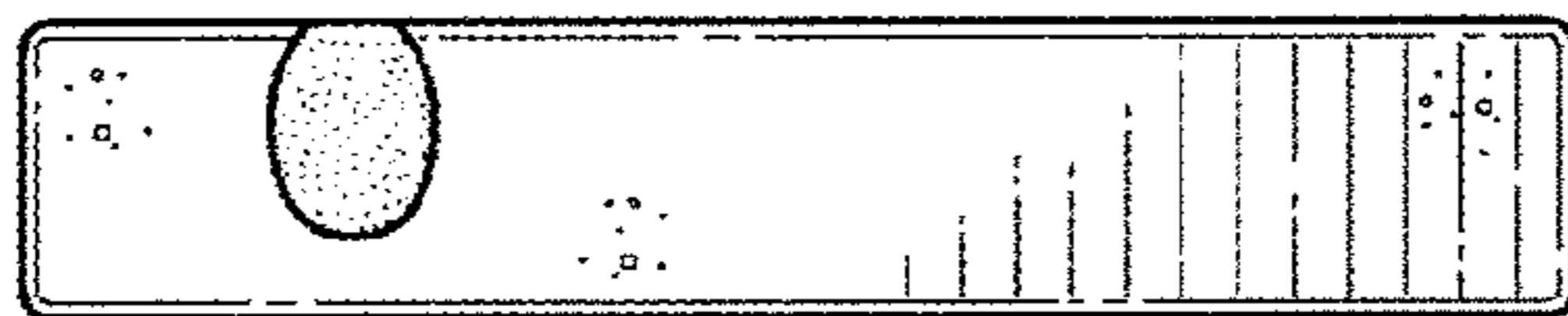


FIG. 4



FIG. 5

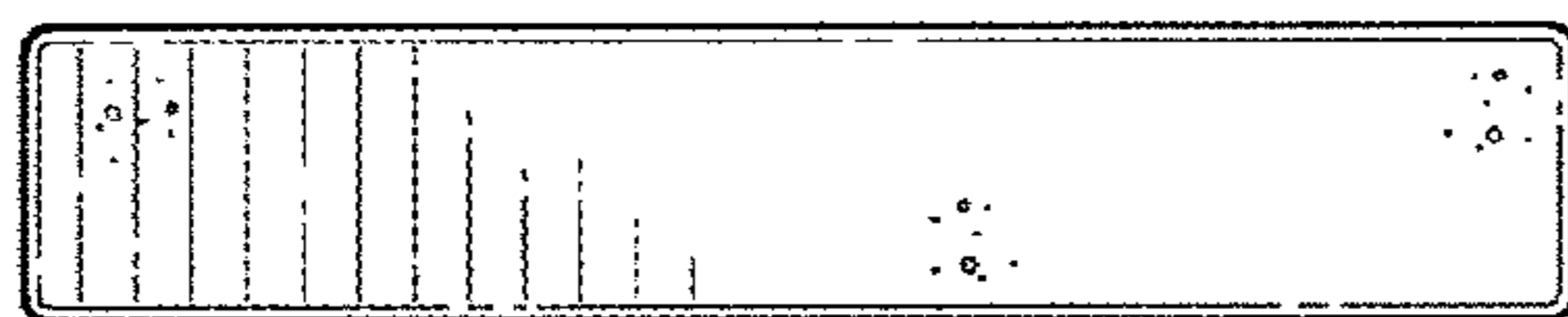


FIG. 6

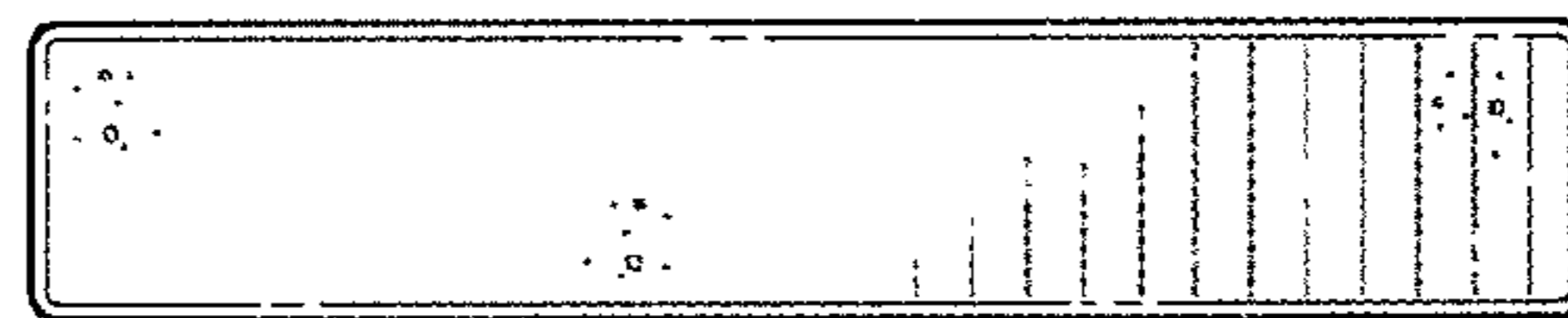


FIG. 7