



US00D762341S

(12) **United States Design Patent**
Rogers et al.

(10) **Patent No.:** **US D762,341 S**
(45) **Date of Patent:** **** Aug. 2, 2016**

- (54) **ROOT VEGETABLE PRODUCT**
- (71) Applicant: **McCain Foods Limited**, Florenceville (CA)
- (72) Inventors: **David M. Rogers**, Woodstock (CA);
John Aikens, New Maryland (CA)
- (73) Assignee: **McCain Foods Limited**,
Florenceville-Bristol (CA)
- (**) Term: **14 Years**
- (21) Appl. No.: **29/489,731**
- (22) Filed: **May 2, 2014**

Related U.S. Application Data

- (62) Division of application No. 29/456,306, filed on May 30, 2013, now Pat. No. Des. 712,618.
- (51) **LOC (10) Cl.** **01-01**
- (52) **U.S. Cl.**
USPC **D1/125**
- (58) **Field of Classification Search**
USPC D1/100–130, 199; D7/504, 509, 510,
D7/523, 524, 555, 566, 568, 584–587, 602,
D7/672, 300.1; D21/386, 672, 803, 821;
D19/91; 426/92, 94, 95, 99, 101,
426/138–139, 143, 279, 282, 283, 391,
426/514; D11/146, 151, 154, 78, 131, 141,
D11/152; D14/480.5, 484.1; D25/119, 121,
D25/126; D30/160; 220/566; D34/28, 29
CPC A21D 13/0029; A21D 13/0074; A21D
13/0022; A21D 13/0006; A23L 1/1641;
A23L 1/005
See application file for complete search history.

(56) **References Cited**

U.S. PATENT DOCUMENTS

- D10,882 S 10/1878 Mills
- 214,874 A * 4/1879 Beugnies 63/11

- 1,802,692 A 4/1931 Blanchard
- 1,963,054 A * 6/1934 Powers A47C 23/0438
267/286
- 2,113,038 A * 4/1938 Thalinger 428/7
- D116,617 S 9/1939 Tanzi
- 2,197,577 A * 4/1940 Crosser A47G 33/0845
40/613
- D161,252 S 12/1950 Femina
- 2,924,228 A 2/1960 McGee
- 3,180,737 A 4/1965 Ercel
- D250,519 S * 12/1978 Hashimoto D11/118
- 4,145,731 A * 3/1979 Adamich 362/123
- D263,021 S * 2/1982 Siegfried D11/5
- D271,385 S * 11/1983 Novak D11/131

(Continued)

OTHER PUBLICATIONS

Twisted Ribbon, Mar. 27, 2010. [online.] [retrieved on Sep. 2, 2014]. Retrieved from internet <URL: <http://www.grasshopper3d.com/forum/topics/twisted-ribbon>>.*

(Continued)

Primary Examiner — Deanna L Pratt
Assistant Examiner — Katir S Mroczka
(74) *Attorney, Agent, or Firm* — Panitch Schwarze Belisario & Nadel LLP

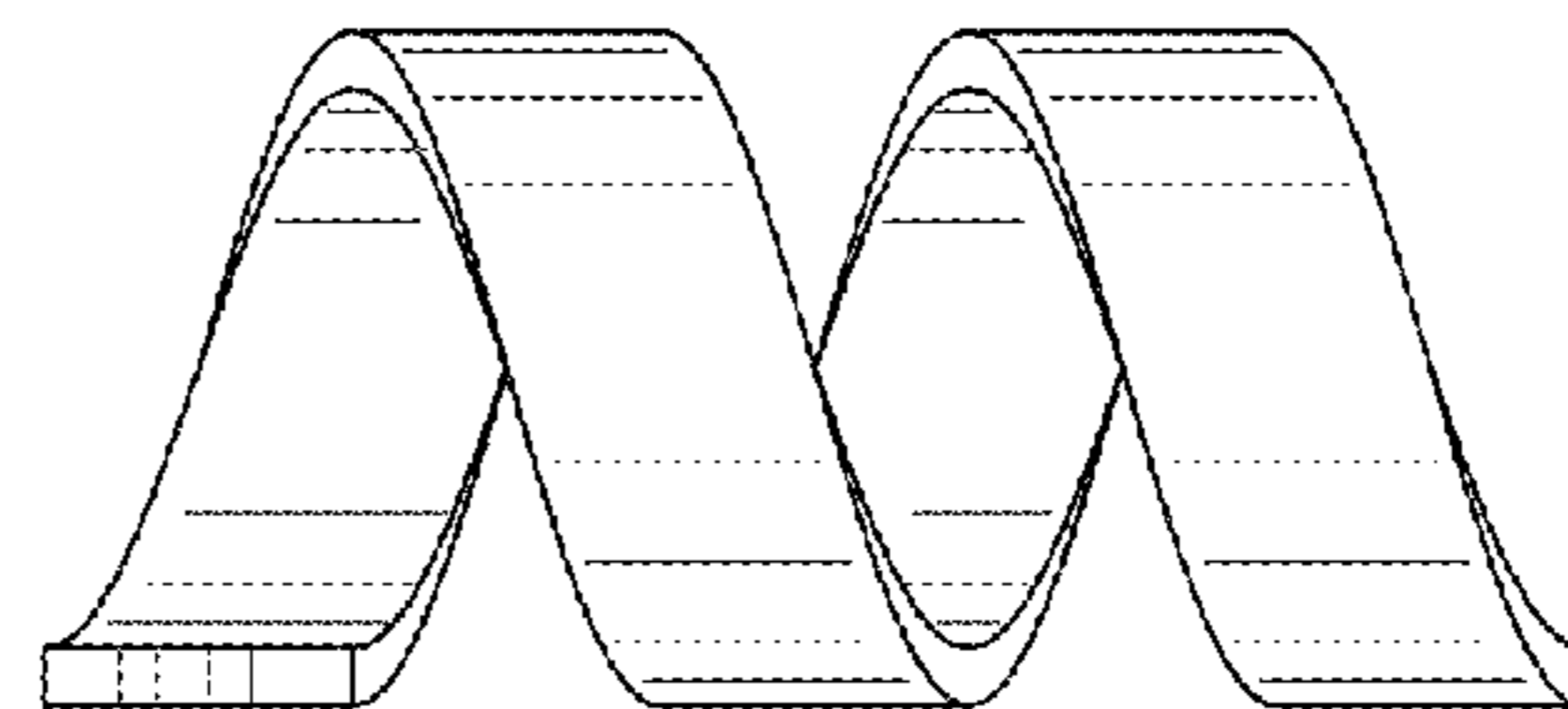
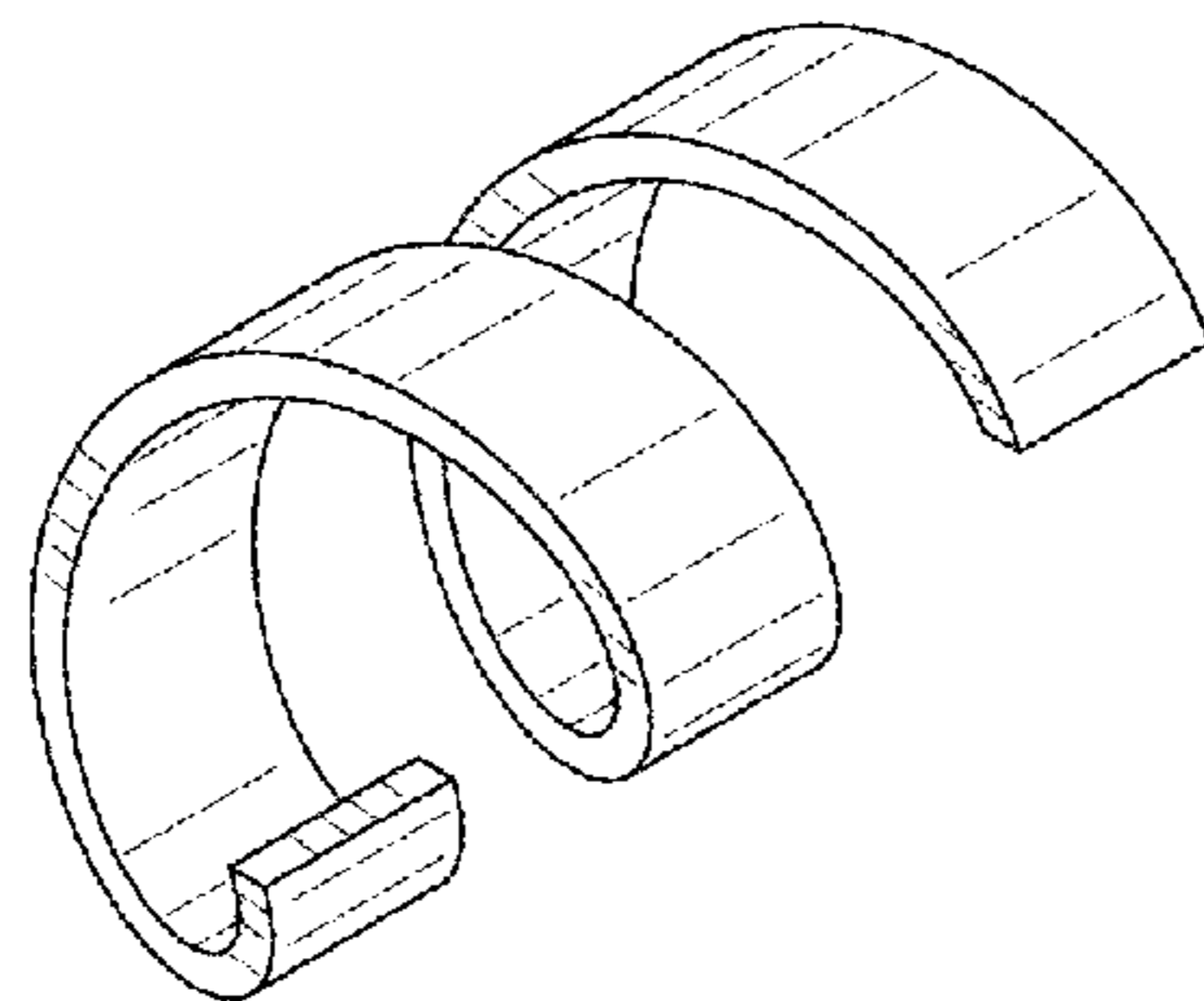
(57) **CLAIM**

The ornamental design for a root vegetable product, as shown and described.

DESCRIPTION

FIG. 1 is a front perspective view of a root vegetable product in accordance with our new design;
FIG. 2 is a left side elevational view thereof;
FIG. 3 is a front elevational view thereof;
FIG. 4 is a right side elevational view thereof;
FIG. 5 is a rear elevational view thereof;
FIG. 6 is a top plan view thereof; and,
FIG. 7 is a bottom plan view thereof.

1 Claim, 2 Drawing Sheets



(56)

References Cited

U.S. PATENT DOCUMENTS

D272,009 S * 1/1984 Zonnenberg D1/199
 D292,279 S * 10/1987 Ditto D11/139
 D313,298 S 12/1990 Elmas et al.
 D317,663 S * 6/1991 Calderon D28/41
 5,021,611 A * 6/1991 Amano 174/88 R
 D323,414 S 1/1992 Bruke
 D324,350 S * 3/1992 Owens, Jr. D11/78
 D326,944 S 6/1992 Bruke
 D337,083 S * 7/1993 Rankin D12/115
 5,271,975 A * 12/1993 Solano 428/34.9
 5,296,252 A 3/1994 Mendenhall
 D353,235 S * 12/1994 D'Angelico D30/160
 D362,703 S 9/1995 Rusk
 D362,790 S * 10/1995 O'Connor D7/653
 5,464,198 A * 11/1995 Yanko F16F 1/06
 267/167
 D372,338 S * 7/1996 Engel D28/41
 D375,229 S * 11/1996 DiBella A47G 23/0216
 D7/619.1
 D380,886 S 7/1997 Hauser et al.
 D401,735 S 12/1998 Rom
 5,878,755 A * 3/1999 Crabtree A45D 8/34
 132/273
 D417,714 S * 12/1999 Yeung D21/803
 6,360,413 B1 * 3/2002 Lopata D04D 9/06
 223/46
 D458,434 S 6/2002 Bortone
 D490,589 S * 6/2004 Bortone D1/125
 D492,087 S 6/2004 Bortone
 D501,697 S 2/2005 Bortone
 D523,191 S 6/2006 Wang
 D544,154 S * 6/2007 Bidinger D30/160
 7,293,974 B2 * 11/2007 Bortone et al. 425/297
 D589,873 S * 4/2009 Banks D12/411

D635,824 S * 4/2011 Shin D7/398
 D636,970 S * 5/2011 Hogan D1/125
 D637,891 S * 5/2011 Chikiri D8/356
 D640,036 S * 6/2011 Walker et al. D1/125
 D666,378 S 9/2012 Dixon
 D688,344 S 8/2013 Cheung
 D688,437 S 8/2013 Walker et al.
 D701,667 S * 4/2014 Coomes et al. D1/125
 D708,816 S * 7/2014 Park et al. D1/106
 D710,567 S * 8/2014 Park et al. D1/125
 D712,114 S * 8/2014 Tarashchansky D99/25
 D712,618 S 9/2014 Rogers et al.
 D715,183 S * 10/2014 Blaser D11/184
 D727,569 S * 4/2015 Leonard D28/35
 D738,037 S * 9/2015 Zayat D27/161
 D742,091 S * 11/2015 Rogers D1/125
 D742,996 S * 11/2015 Trice D22/144
 D748,335 S * 1/2016 Goodman D28/38
 D750,472 S * 3/2016 Kuka D8/367
 2007/0175493 A1 * 8/2007 Tandberg A45D 8/36
 132/275
 2008/0038416 A1 2/2008 Burgess et al.
 2008/0099036 A1 * 5/2008 Crowley A45D 2/02
 132/275
 2009/0229625 A1 * 9/2009 Shyu A45D 8/36
 132/276
 2011/0311685 A1 12/2011 Hogan et al.
 2012/0211020 A1 * 8/2012 Garcia A45D 8/34
 132/273
 2013/0087032 A1 4/2013 Walker et al.

OTHER PUBLICATIONS

Twist Pasta, Jan. 23, 2008. [online.] [retrieved on Aug. 29, 2014].
 Retrieved from Internet <URL: http://www.amsan.org/Food/pasta_lithuania.htm>.

* cited by examiner

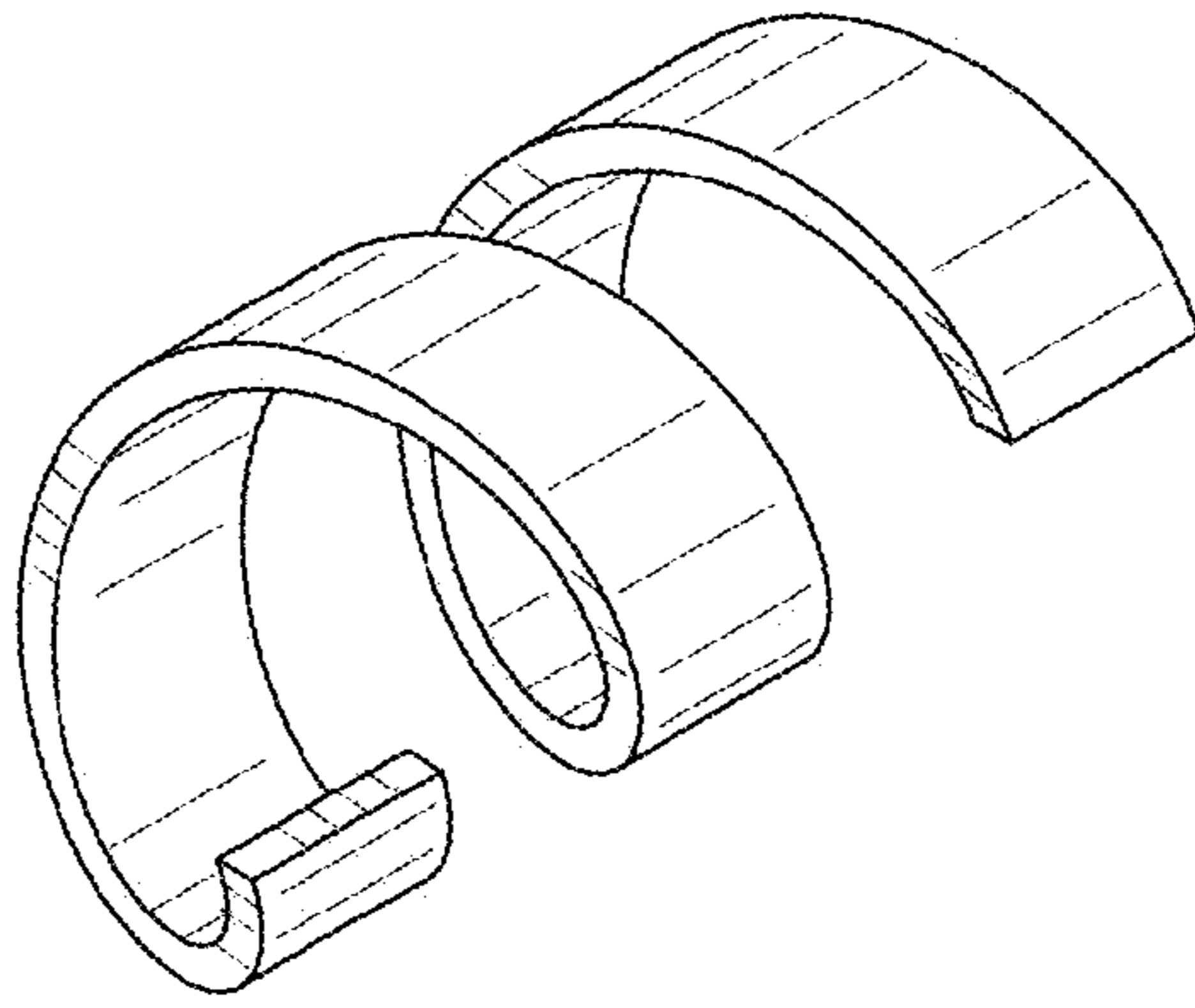


FIG. 1

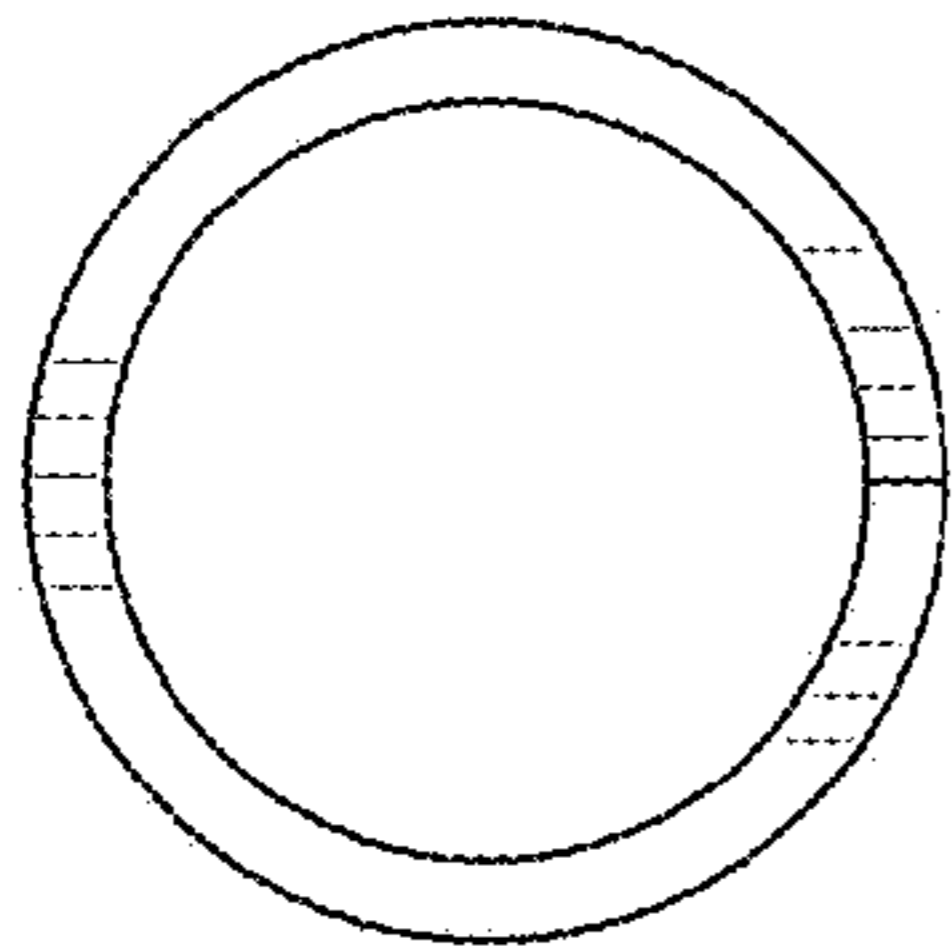


FIG. 2

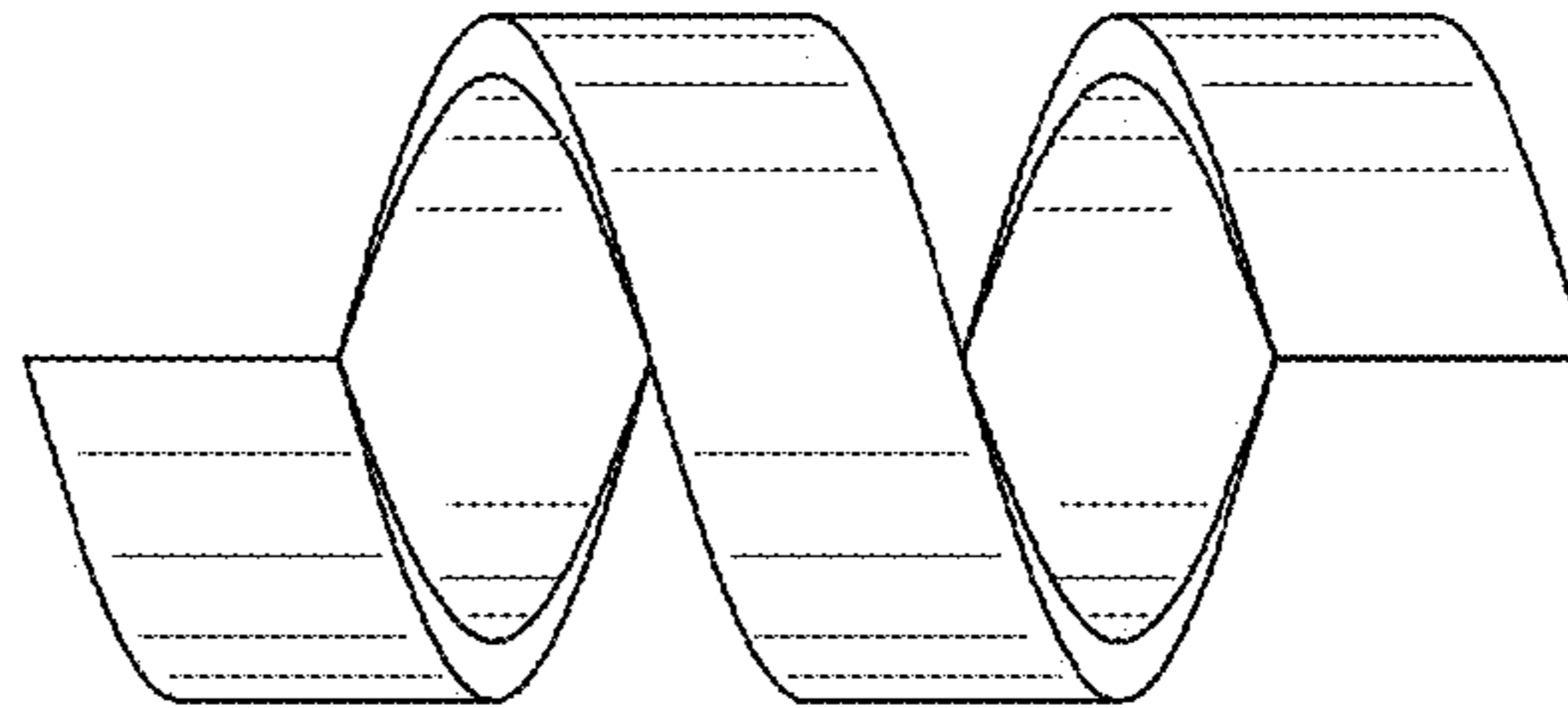


FIG. 3

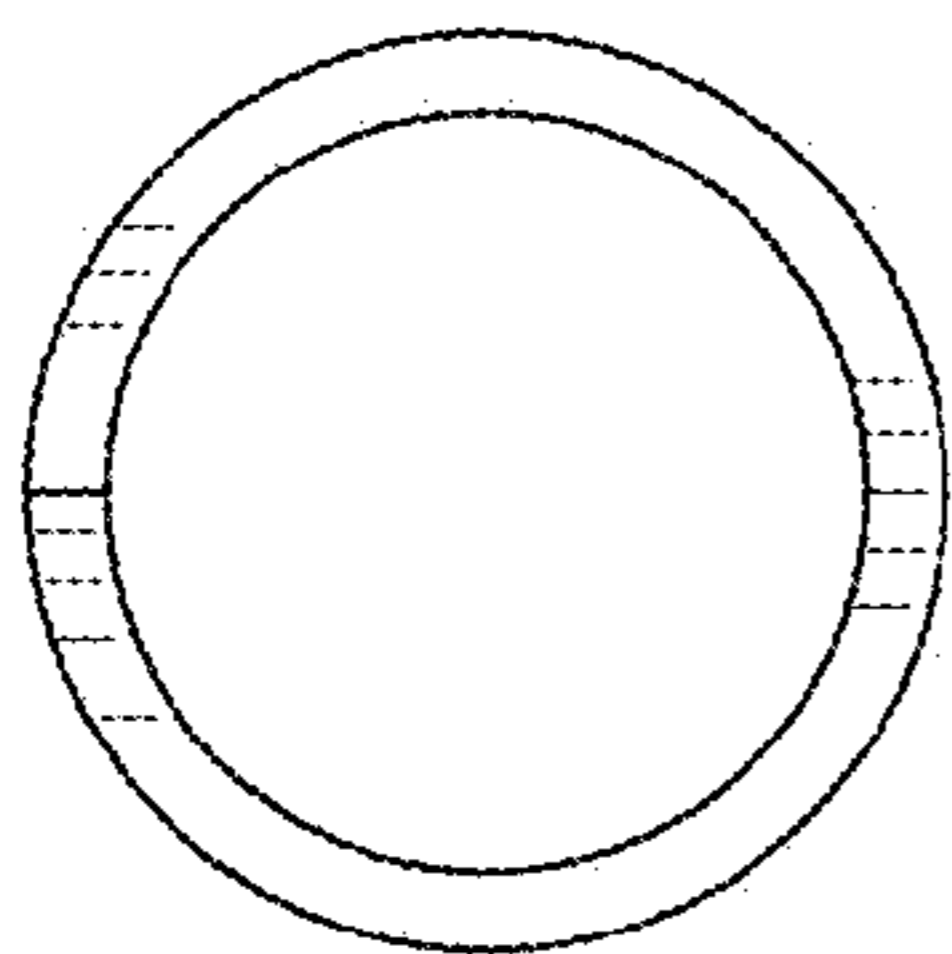


FIG. 4

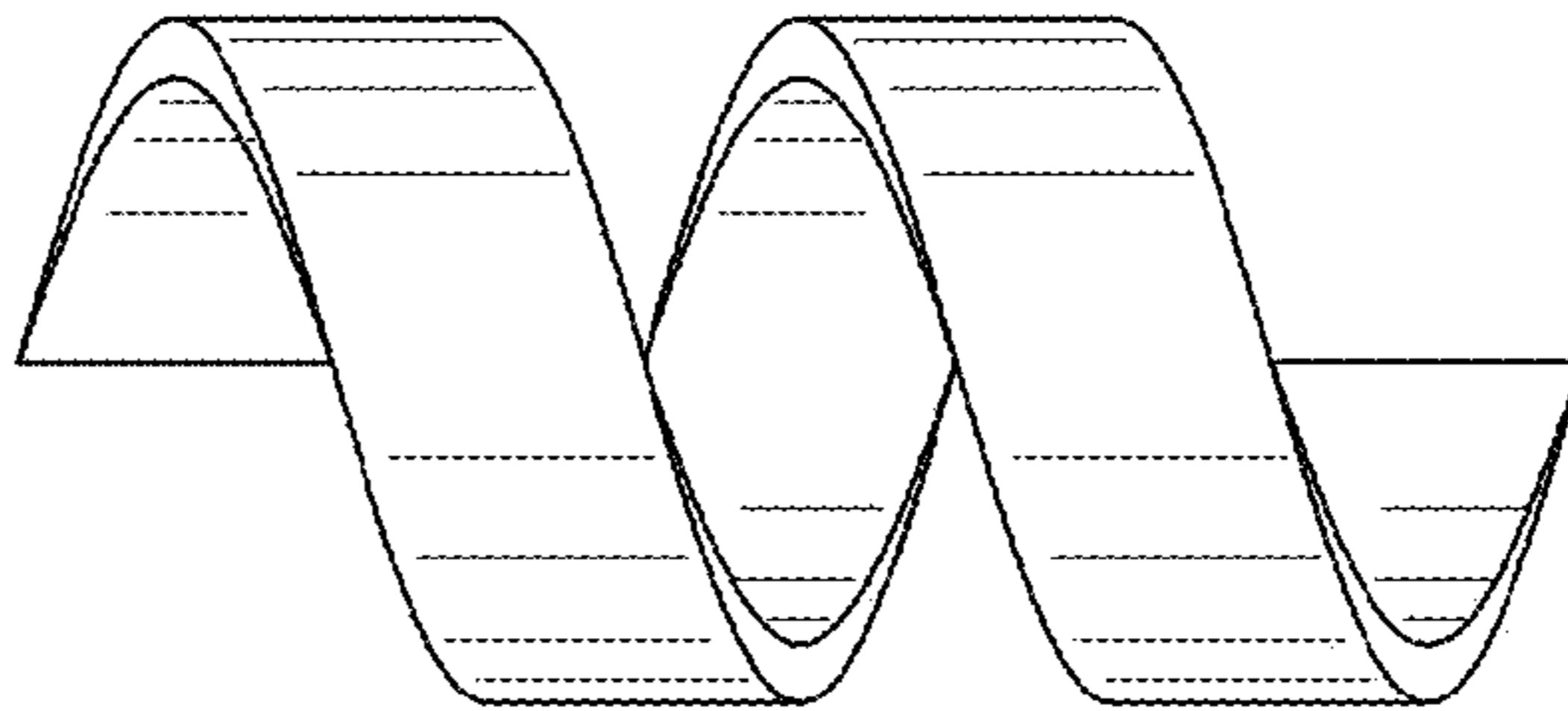


FIG. 5

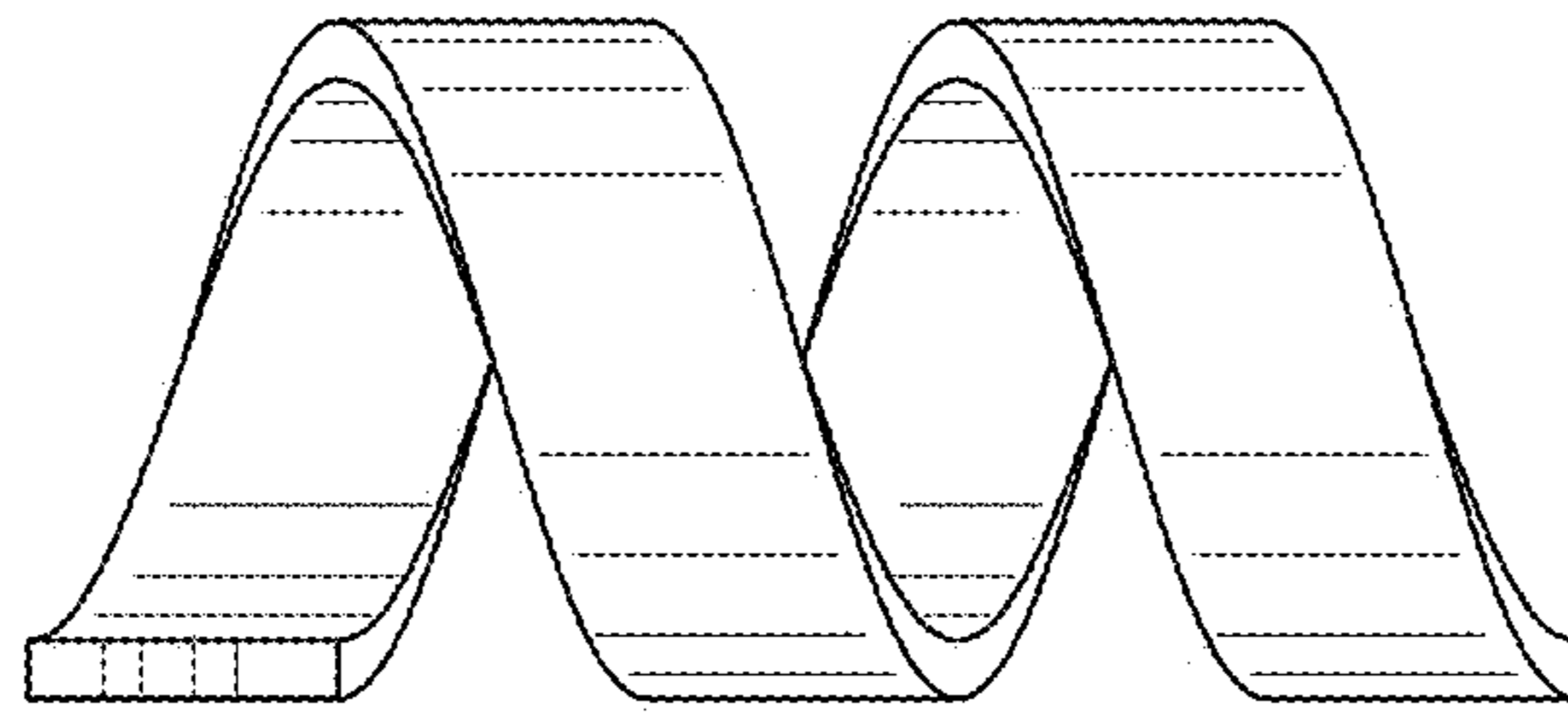


FIG. 6

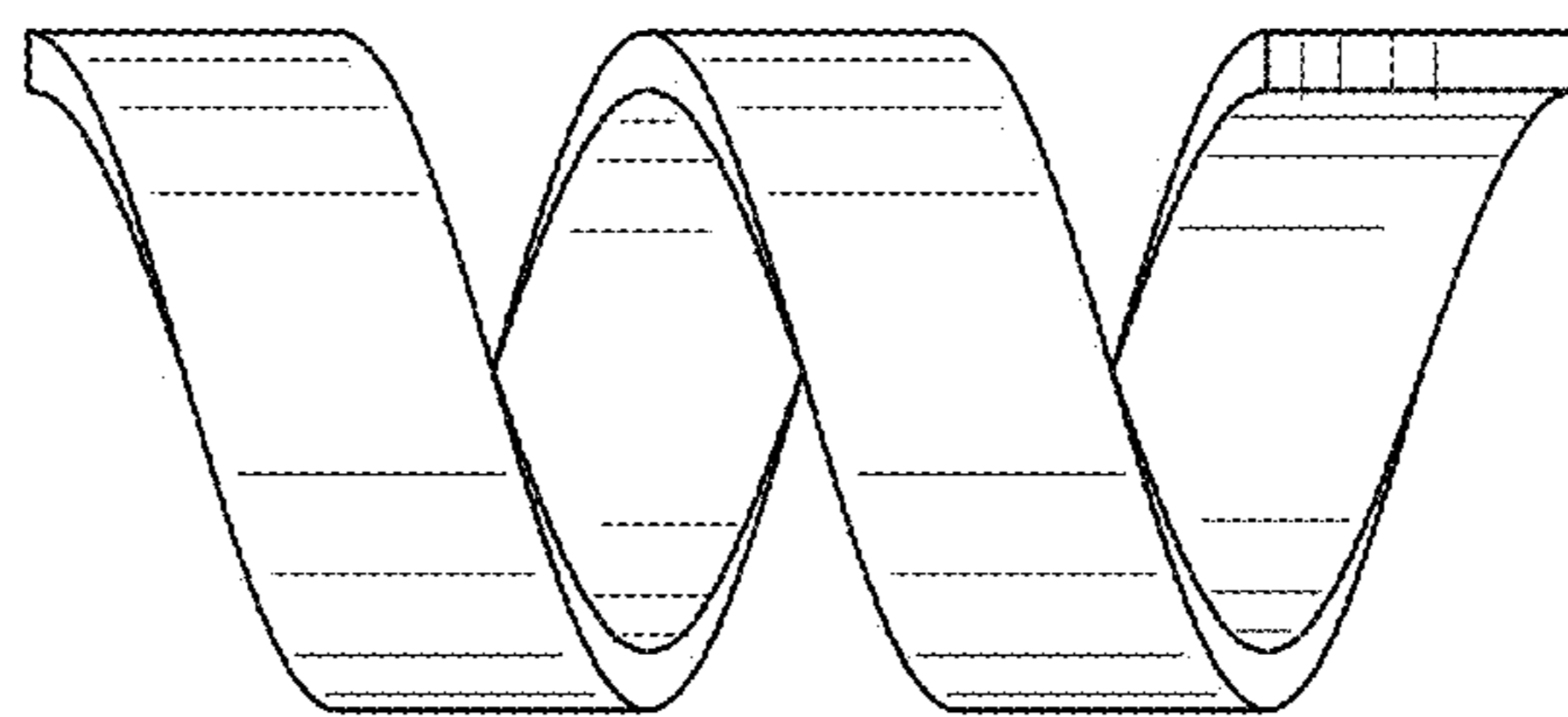


FIG. 7