



US00D762339S

(12) **United States Design Patent**
McRorie et al.

(10) **Patent No.:** **US D762,339 S**
(45) **Date of Patent:** **** Jul. 26, 2016**

- (54) **CART**
- (71) Applicant: **Capsa Solutions, LLC**, Portland, OR (US)
- (72) Inventors: **Robert Grant McRorie**, Huntersville, NC (US); **Radmond Vincent Arceta**, Portage, MI (US)
- (73) Assignee: **CAPSA SOLUTIONS, LLC**, Portland, OR (US)
- (**) Term: **14 Years**
- (21) Appl. No.: **29/526,341**
- (22) Filed: **May 8, 2015**

- D517,768 S 3/2006 Arceta
- D518,267 S 3/2006 Arceta
- D540,002 S * 4/2007 Perrier D34/27
- D543,000 S * 5/2007 Perrier D34/27
- D552,324 S * 10/2007 Perrier D34/27
- 7,594,668 B2 9/2009 Arceta et al.
- 7,621,544 B2 11/2009 Rossini
- D650,142 S 12/2011 McRorie
- D652,936 S 1/2012 Ross et al.
- 8,109,527 B2 2/2012 Bustle et al.
- 8,196,939 B2 6/2012 Bustle et al.

(Continued)

OTHER PUBLICATIONS

Rubbermaid Healthcare, Rubbermaid M38 Cart, on or before Feb. 21, 2014.

(Continued)

Related U.S. Application Data

- (62) Division of application No. 29/482,754, filed on Feb. 21, 2014, now Pat. No. Des. 730,011.
- (51) **LOC (10) Cl.** **12-02**
- (52) **U.S. Cl.**
USPC **D34/27**
- (58) **Field of Classification Search**
USPC D34/25, 27, 5, 12, 14, 35; D24/185, D24/183; 280/47.35, 47.34, 79.11, 651, 35, 280/79.3, 33.992, 655.1, 33.991; 312/249.11
CPC .. B62B 2206/06; B62B 3/02; B62B 2202/56; B62B 5/06
See application file for complete search history.

Primary Examiner — Cynthia Ramirez
Assistant Examiner — Gino Colan
(74) *Attorney, Agent, or Firm* — Standley Law Group LLP

(57) **CLAIM**
The ornamental design for a “cart,” as shown and described.

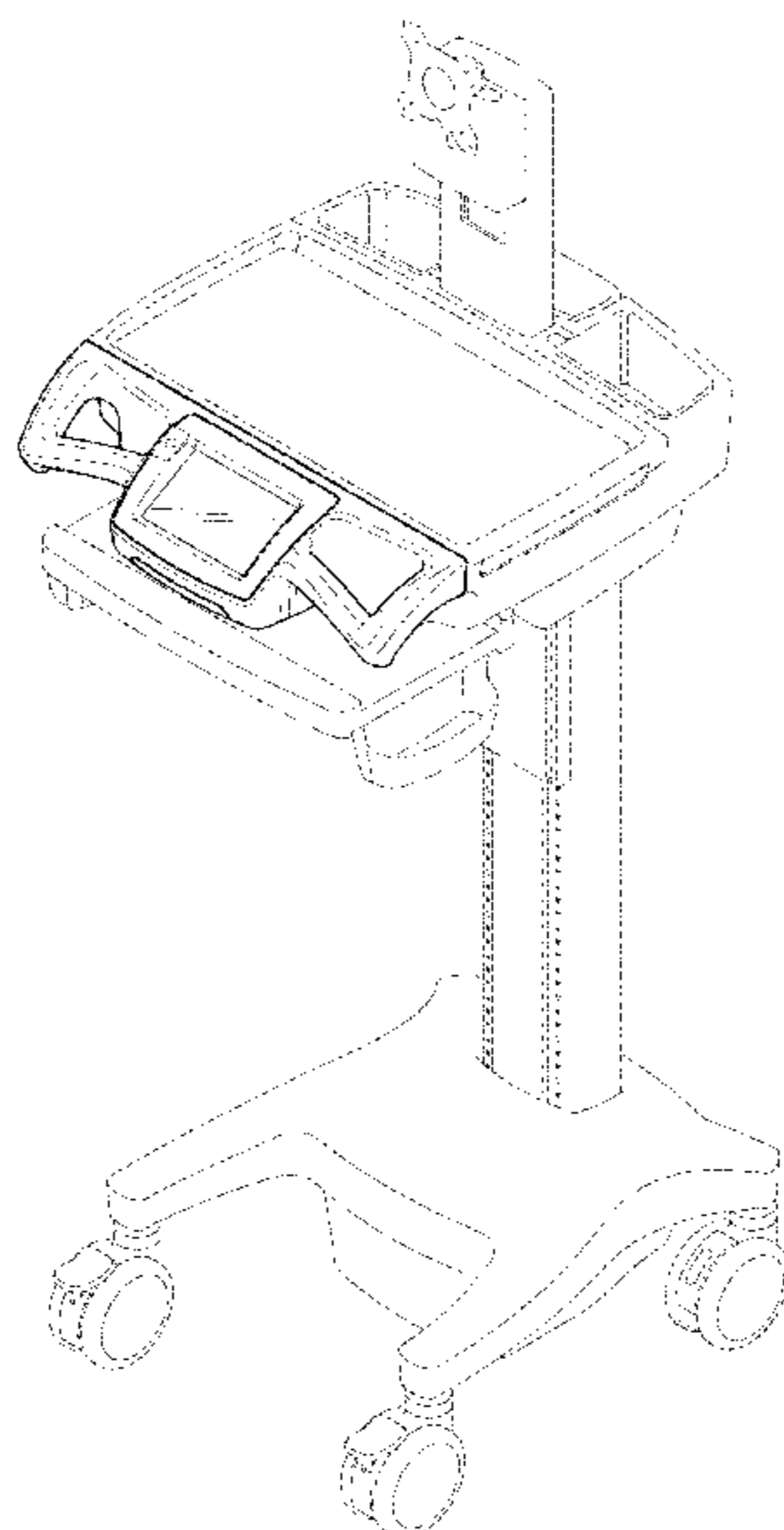
DESCRIPTION

FIG. 1 is a front and right perspective view of a cart showing our new design;
FIG. 2 is a left elevational view of the cart shown in FIG. 1;
FIG. 3 is a right elevational view of the cart shown in FIG. 1;
FIG. 4 is a bottom plan view of the cart shown in FIG. 1;
FIG. 5 is a top plan view of the cart shown in FIG. 1;
FIG. 6 is a front elevational view of the cart shown in FIG. 1; and,
FIG. 7 is a back elevational view of the cart shown in FIG. 1.
The broken lines in the drawings are included for the purpose of illustrating elements of the cart and form no part of the claimed design.

(56) **References Cited**
U.S. PATENT DOCUMENTS

- D375,601 S * 11/1996 Myers D34/27
- D376,459 S * 12/1996 Myers D34/27
- D482,172 S * 11/2003 Johnson D34/27

1 Claim, 7 Drawing Sheets



(56)

References Cited

U.S. PATENT DOCUMENTS

8,215,650	B2	7/2012	Arceta et al.	
8,240,684	B2	8/2012	Ross et al.	
D670,062	S *	10/2012	Sonnendorfer D34/27
D670,063	S *	10/2012	Sonnendorfer D34/27
8,286,977	B2	10/2012	Butler et al.	
D681,303	S *	4/2013	Sonnendorfer D34/27
8,677,911	B2	3/2014	McRorie	
8,714,569	B2	5/2014	Lu et al.	
D730,011	S	5/2015	McRorie	
2004/0262867	A1	12/2004	Arceta et al.	
2008/0252045	A1	10/2008	Rossini et al.	
2009/0015116	A1	1/2009	Arceta et al.	
2009/0319079	A1	12/2009	Arceta et al.	
2010/0213679	A1	8/2010	Smith et al.	
2012/0126503	A1	5/2012	Butler et al.	
2012/0274196	A1	11/2012	Arceta et al.	
2013/0200579	A1	8/2013	Abernethy et al.	
2013/0300075	A1	11/2013	Arceta et al.	
2013/0307237	A1	11/2013	Chen	
2014/0084558	A1	3/2014	Ergun et al.	
2014/0218282	A1	8/2014	Hung	
2014/0265193	A1	9/2014	Stark	

OTHER PUBLICATIONS

Intermetro Industries Incorporated, Flo Cart 1770, on or before Feb. 21, 2014.

Intermetro Industries Incorporated, AccessPoint Cart, on or before Feb. 21, 2014.
 Intermetro Industries Incorporated, iPoint Cart, on or before Feb. 21, 2014.
 Ergotron, StyleView Medical Laptop Cart SV41, on or before Feb. 21, 2014.
 Ergotron, StyleView Laptop Cart SV40, on or before Feb. 21, 2014.
 Ergotron, StyleView LCD Computer Medical Cart SV42, on or before Feb. 21, 2014.
 Humanscale, Point-of-Care Technology Cart TouchPoint T5, on or before Feb. 21, 2014.
 Humanscale, TouchPoint Mobile Technology Cart T7, on or before Feb. 21, 2014.
 Howard Medical, Medical Hi-Prodigy Cart, on or before Feb. 21, 2014.
 Howard Medical, Hi-Care Workstation on Wheels Cart, on or before Feb. 21, 2014.
 Howard Medical, Hi-Mobile Cart, on or before Feb. 21, 2014.
 Stinger Medical, Sydekick Medication Workstation, on or before Feb. 21, 2014.
 Stinger Medical, Slimline Documentation Workstation, on or before Feb. 21, 2014.
 Stinger Medical, Levitator Medication Workstation, on or before Feb. 21, 2014.
 Enovate Medical, Medical Point of Care Workstation, on or before Feb. 21, 2014.
 Enovate Medical, Documentation Cart, on or before Feb. 21, 2014.

* cited by examiner

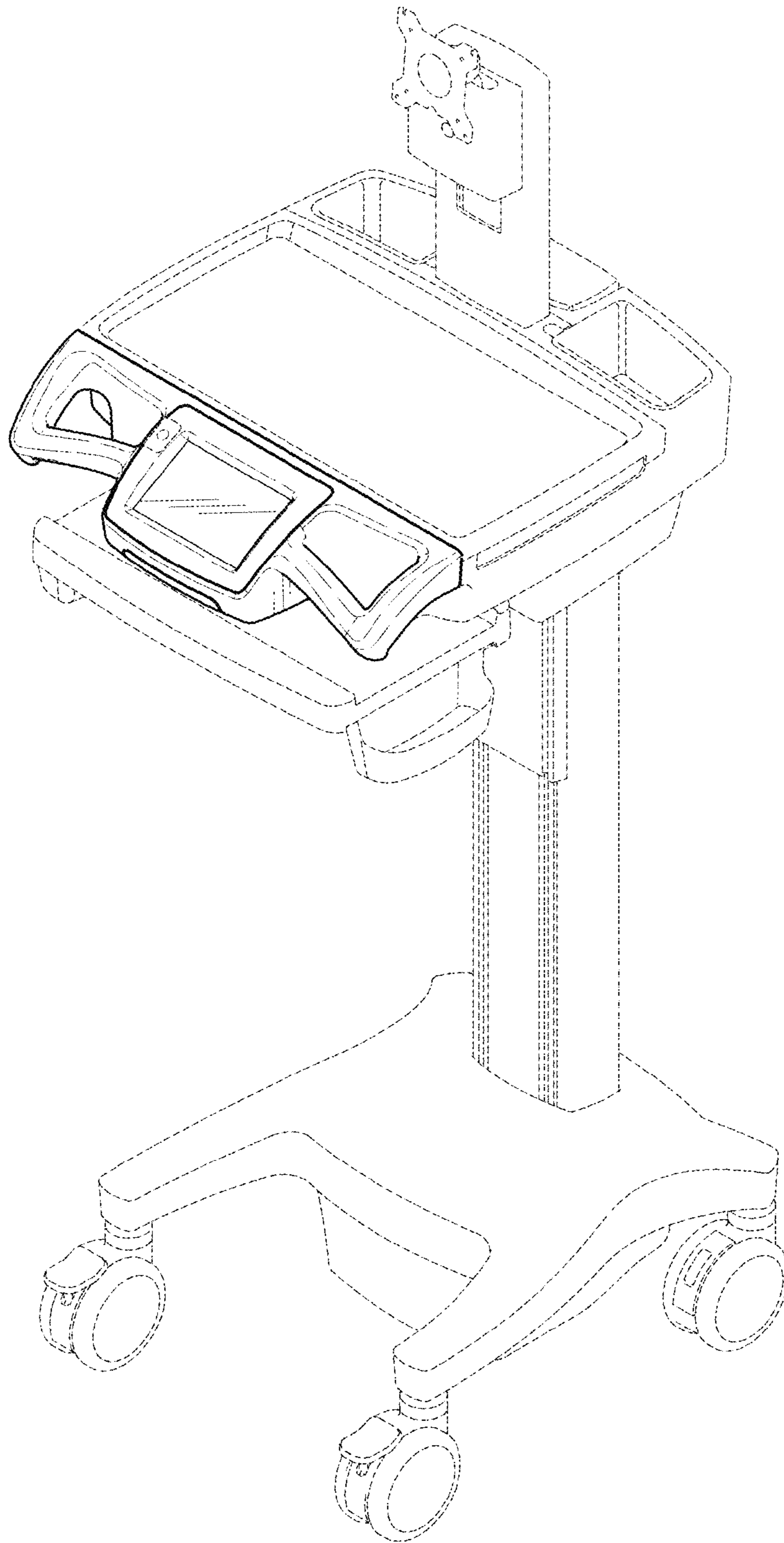


FIG. 1

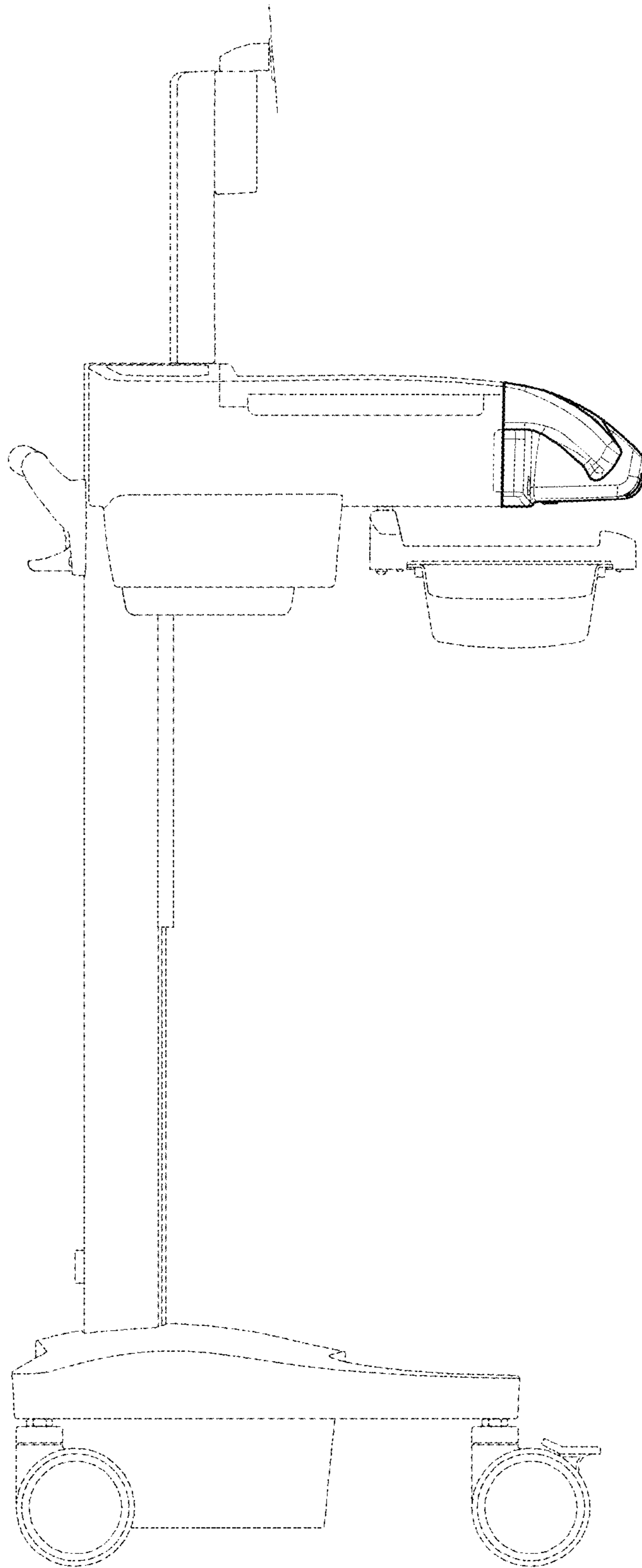


FIG. 2

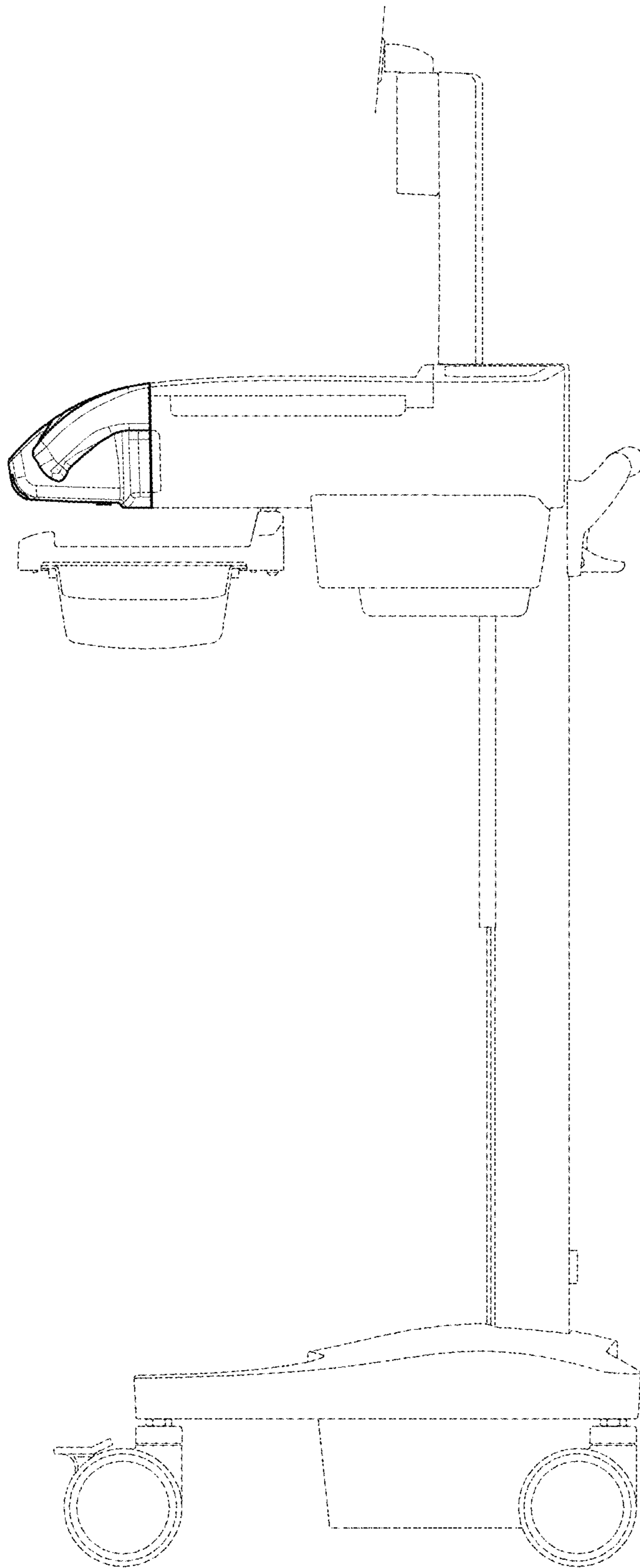


FIG. 3

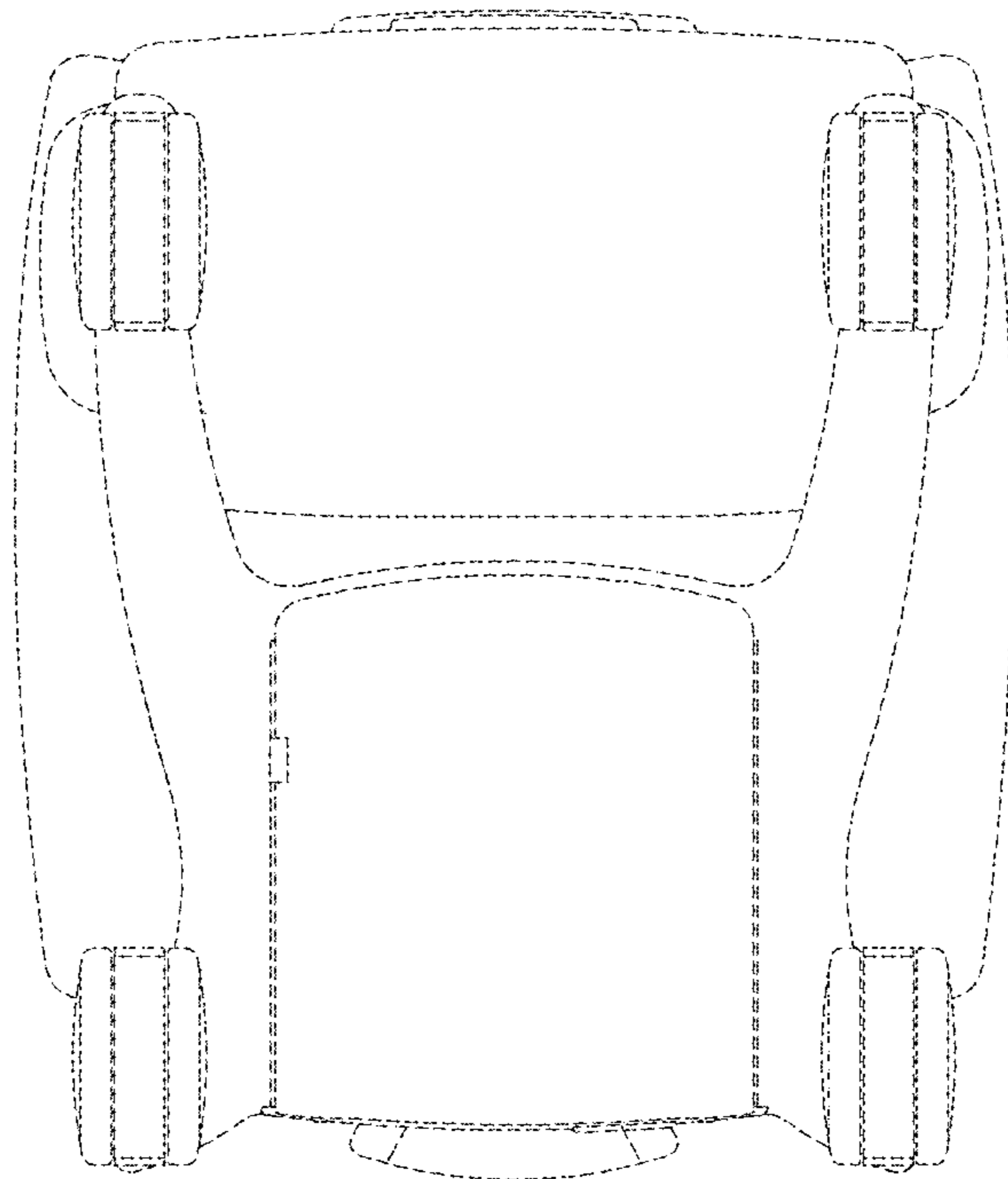


FIG. 4

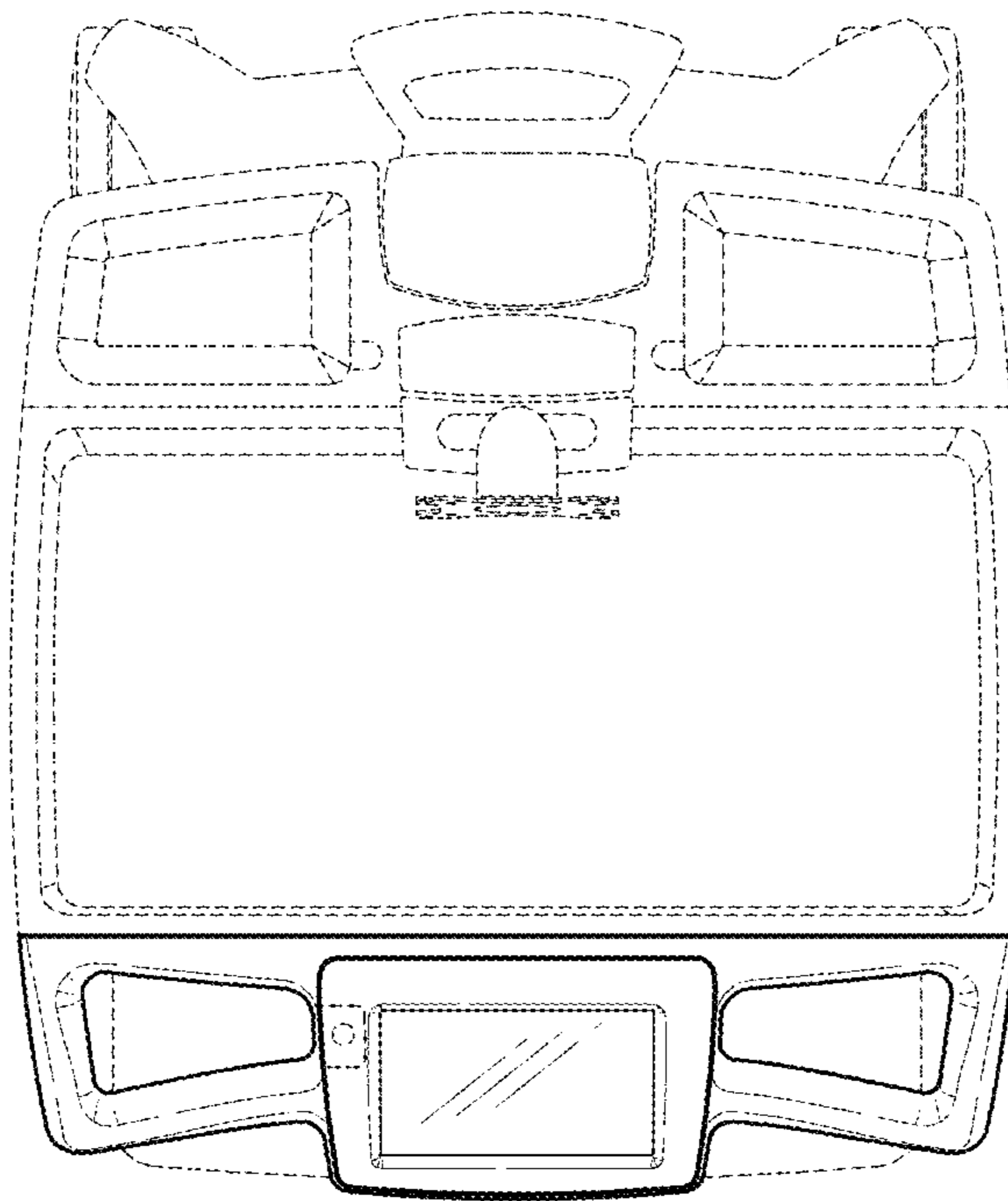


FIG. 5

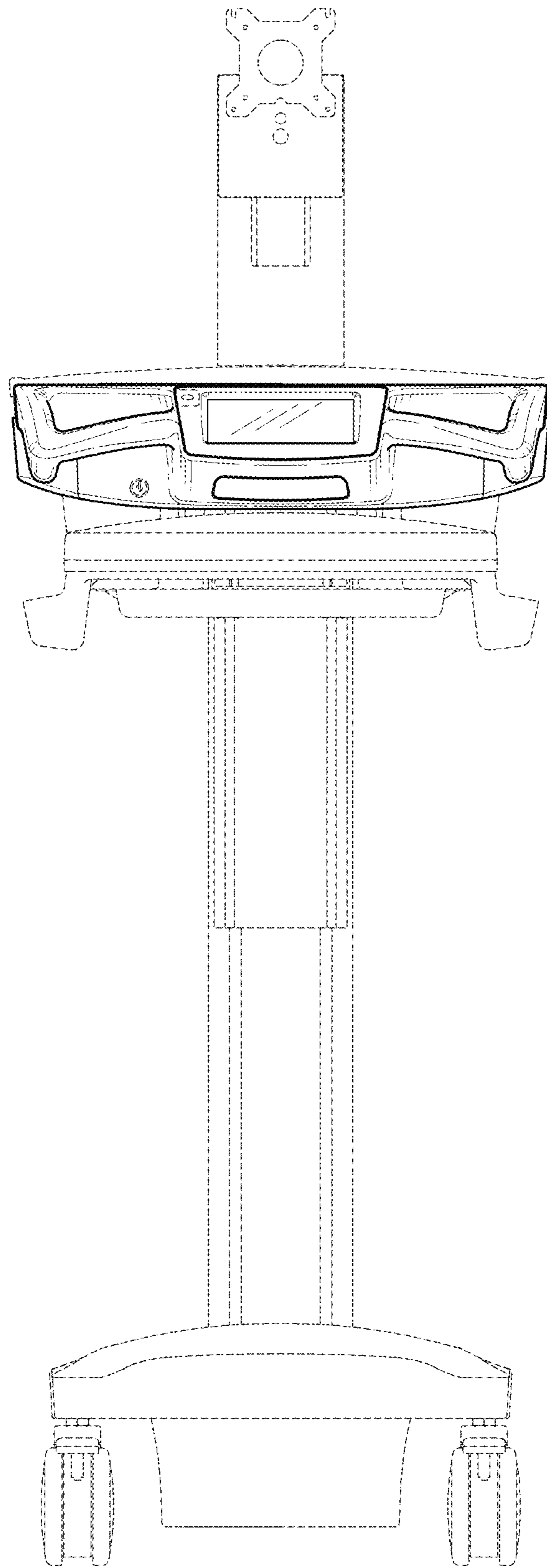


FIG. 6

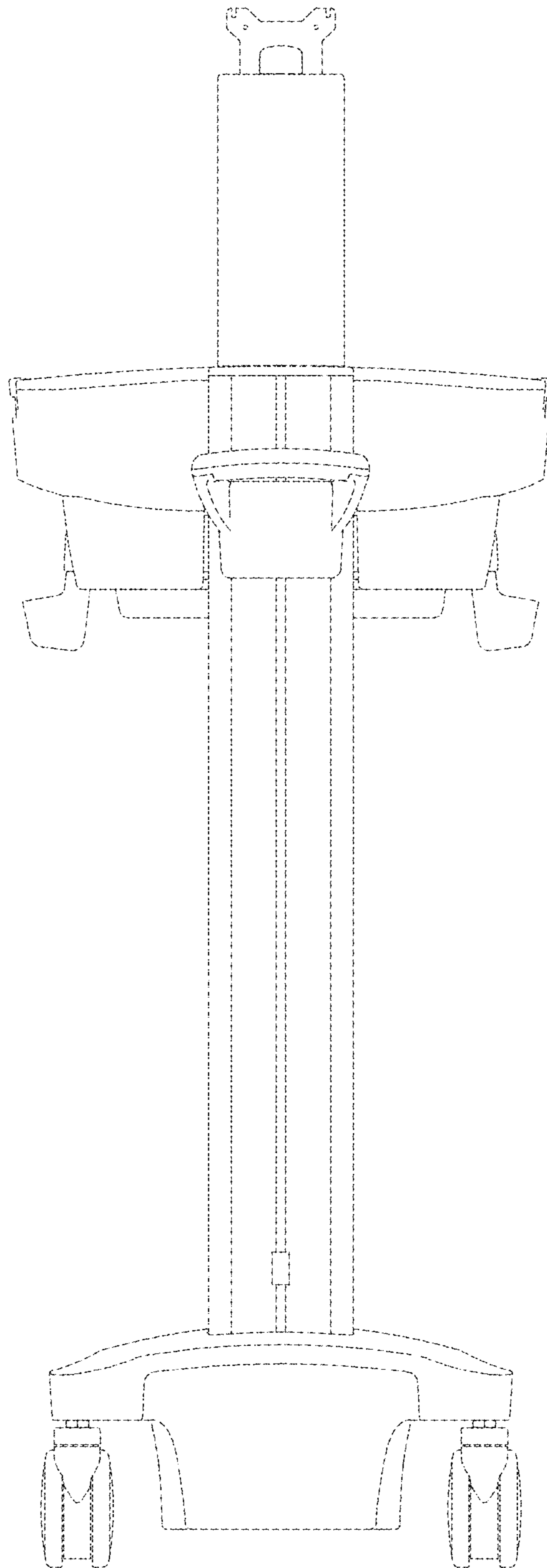


FIG. 7