

US00D762338S

(12) **United States Design Patent**  
**Ouyang**

(10) **Patent No.:** **US D762,338 S**

(45) **Date of Patent:** **\*\* Jul. 26, 2016**

(54) **SHOE DRYING RACK**

(56) **References Cited**

(71) Applicant: **Ningbo Edeans Heating Systems Manufacturing Co., Ltd.**, Zhejiang Province (CN)

(72) Inventor: **Yahong Ouyang**, Zhejiang Province (CN)

(\*\*) Term: **14 Years**

(21) Appl. No.: **29/525,470**

(22) Filed: **Apr. 29, 2015**

(30) **Foreign Application Priority Data**

Jan. 30, 2015 (CN) ..... 2015 3 0028611

(51) **LOC (10) Cl.** ..... **07-05**

(52) **U.S. Cl.**  
USPC ..... **D32/58**

(58) **Field of Classification Search**

USPC ..... D32/55, 276, 3; D6/510, 525; D30/133;  
211/41.5, 41.4, 41.3, 41.8; 361/679.4;  
312/311, 333, 334.4; D7/354, 629  
CPC ..... A47J 47/20; A47J 2201/00; A47J 47/00;  
B65D 35/02; B65D 35/22; B65D 35/56

See application file for complete search history.

U.S. PATENT DOCUMENTS

5,127,529	A *	7/1992	Martinez .....	A47L 23/205 211/181.1
D367,382	S *	2/1996	Tseng .....	D32/59
D412,231	S *	7/1999	Williams .....	D32/58
D543,727	S *	6/2007	Thaler .....	D6/678.1
D639,517	S *	6/2011	Furtner .....	D32/58
D641,528	S *	7/2011	Wai .....	D32/58
D664,321	S *	7/2012	Williams .....	D32/58
D682,499	S *	5/2013	Williams .....	D32/58
D706,009	S *	5/2014	Cooper .....	D32/55
D734,910	S *	7/2015	Ouyang .....	D32/58
D739,628	S *	9/2015	Ouyang .....	D32/58
D741,563	S *	10/2015	Ouyang .....	D32/58

\* cited by examiner

*Primary Examiner* — Austin Murphy

(74) *Attorney, Agent, or Firm* — Prakash Nama; Global IP Services, PLLC

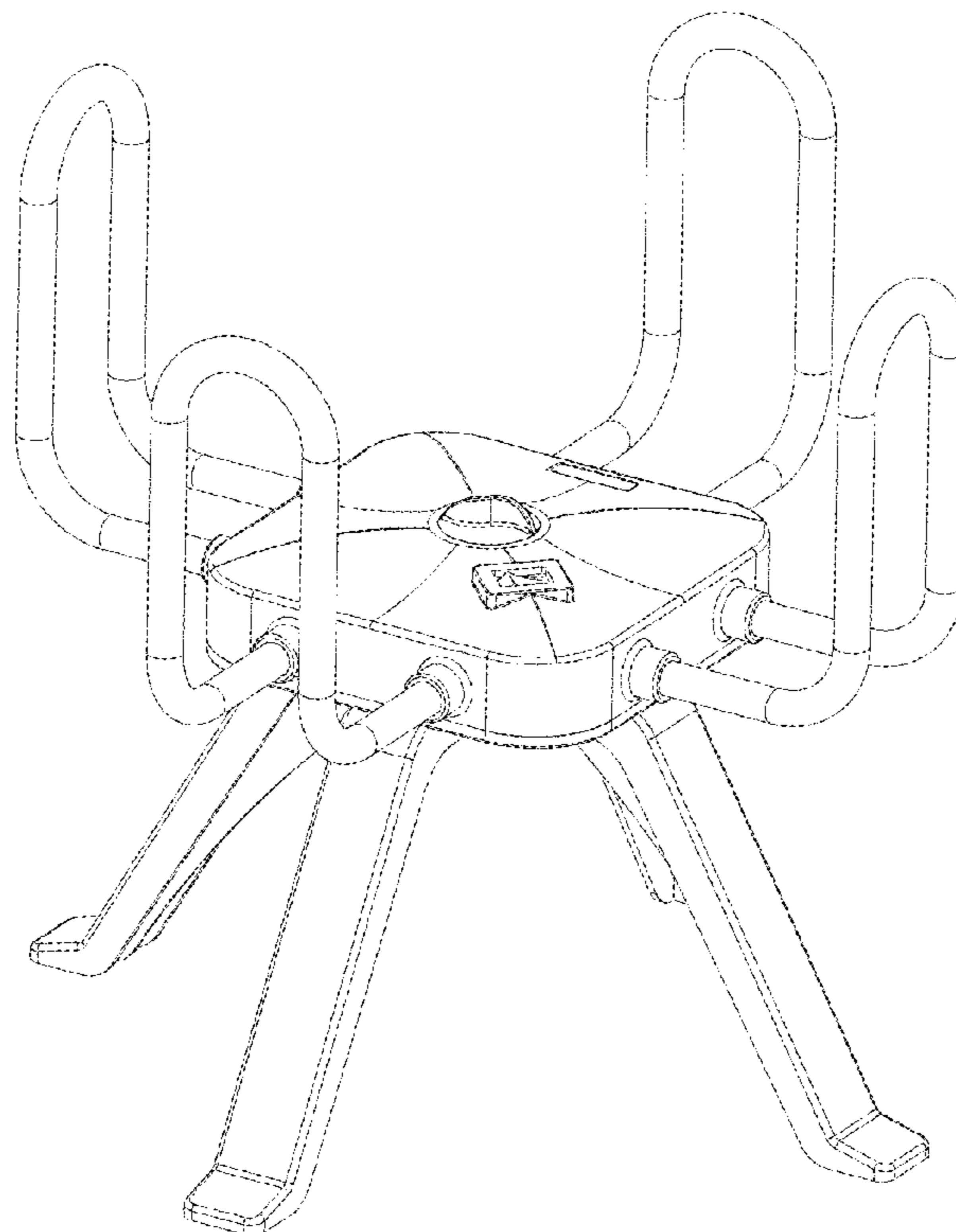
(57) **CLAIM**

The ornamental design for a shoe drying rack, as shown.

**DESCRIPTION**

FIG. 1 is a front elevational view of a shoe drying rack showing my new design;  
FIG. 2 is a rear elevational view thereof;  
FIG. 3 is a left side view thereof;  
FIG. 4 is a right side view thereof;  
FIG. 5 is atop plan view thereof;  
FIG. 6 is a bottom plan view thereof; and,  
FIG. 7 is a perspective view thereof.

**1 Claim, 4 Drawing Sheets**



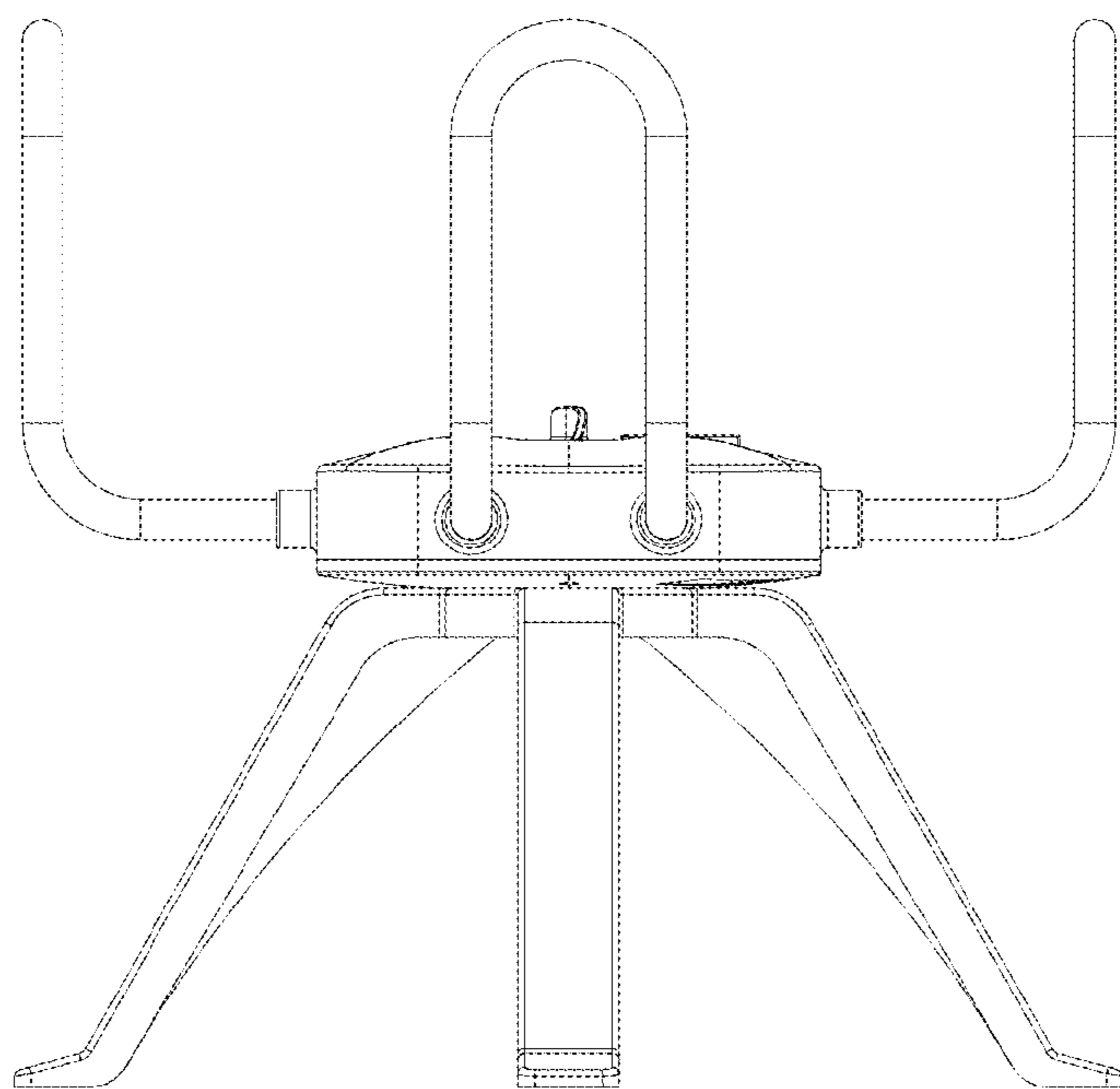


FIG. 1

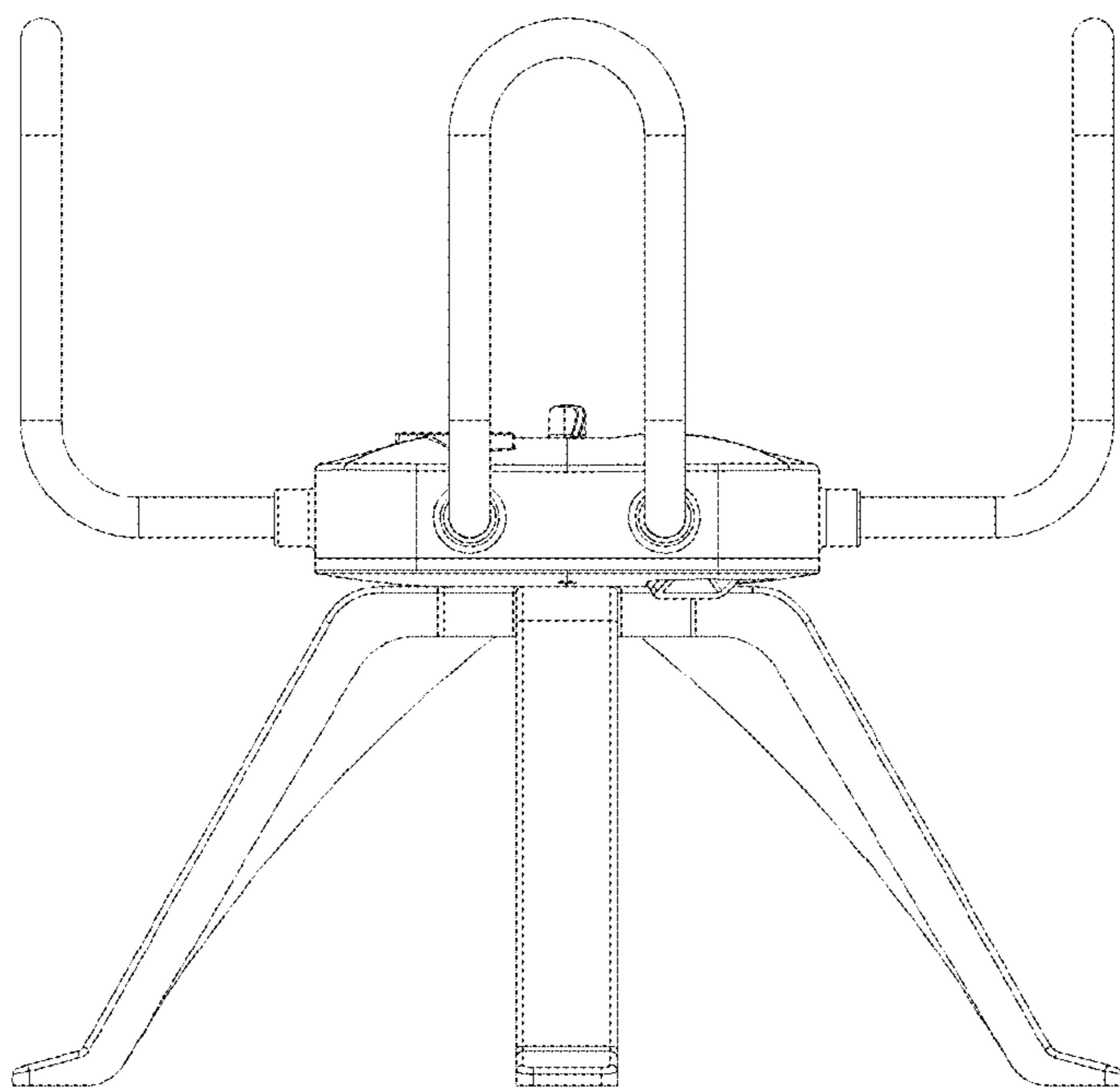


FIG. 2

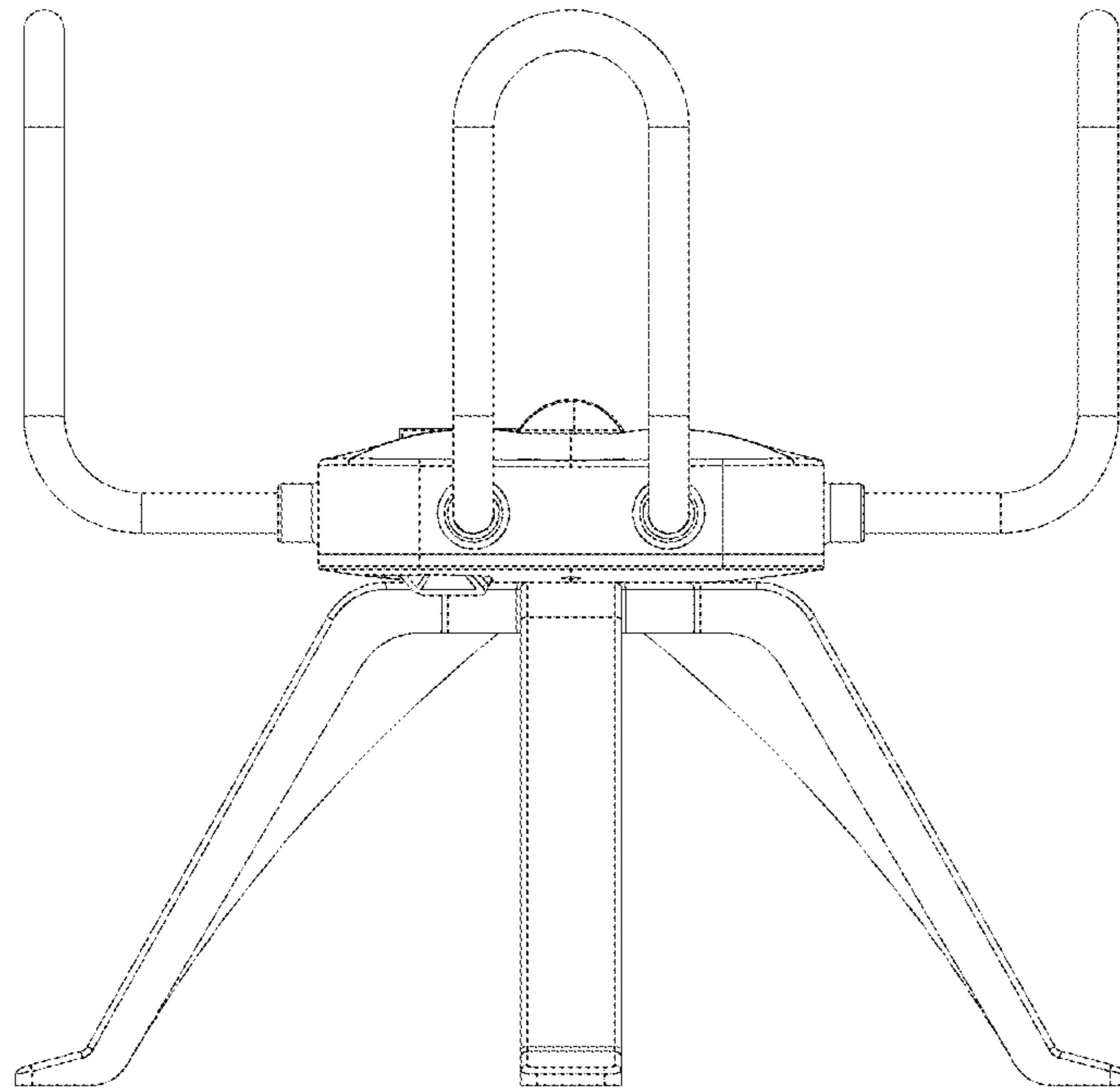


FIG. 3

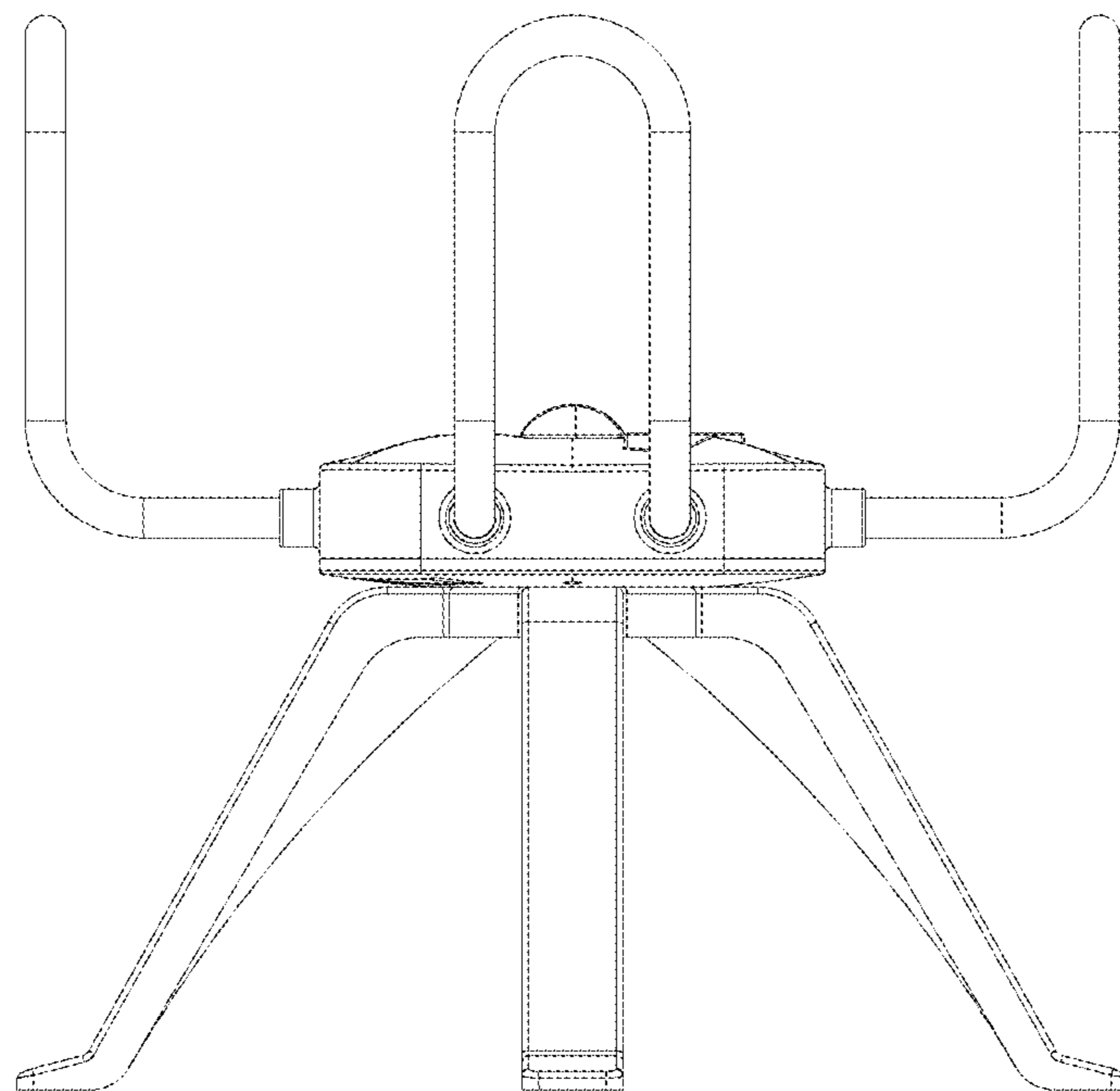


FIG. 4

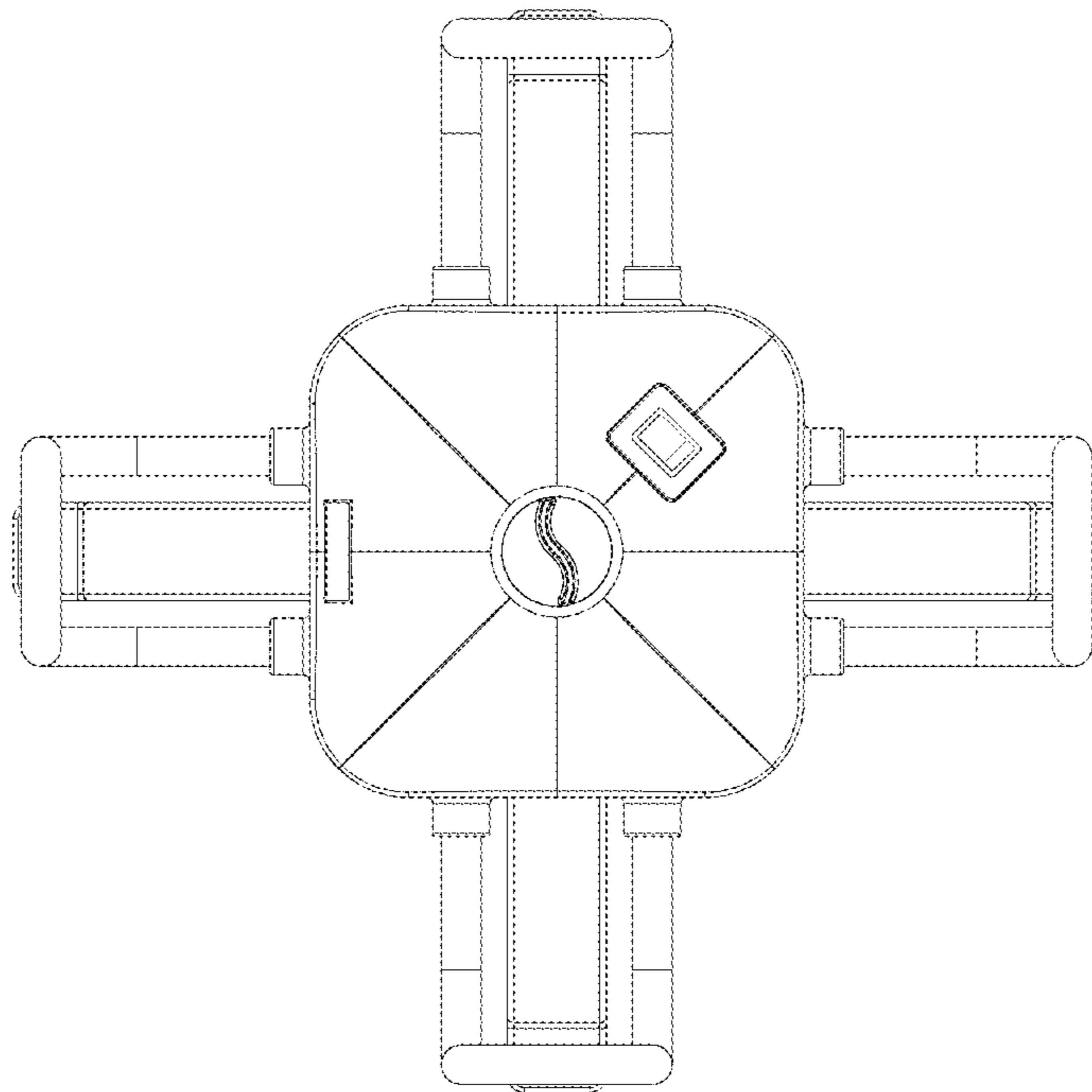


FIG. 5

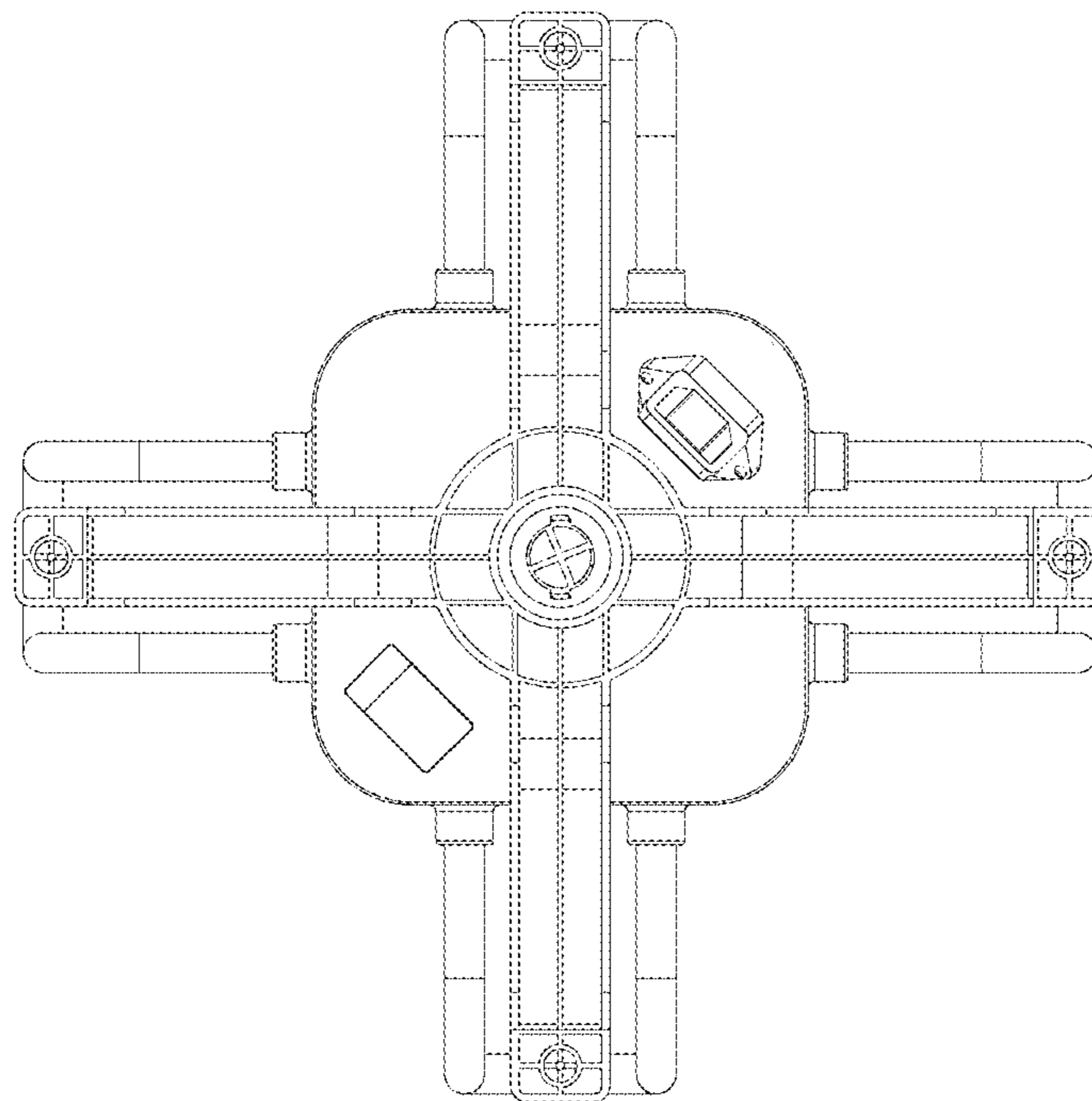


FIG. 6

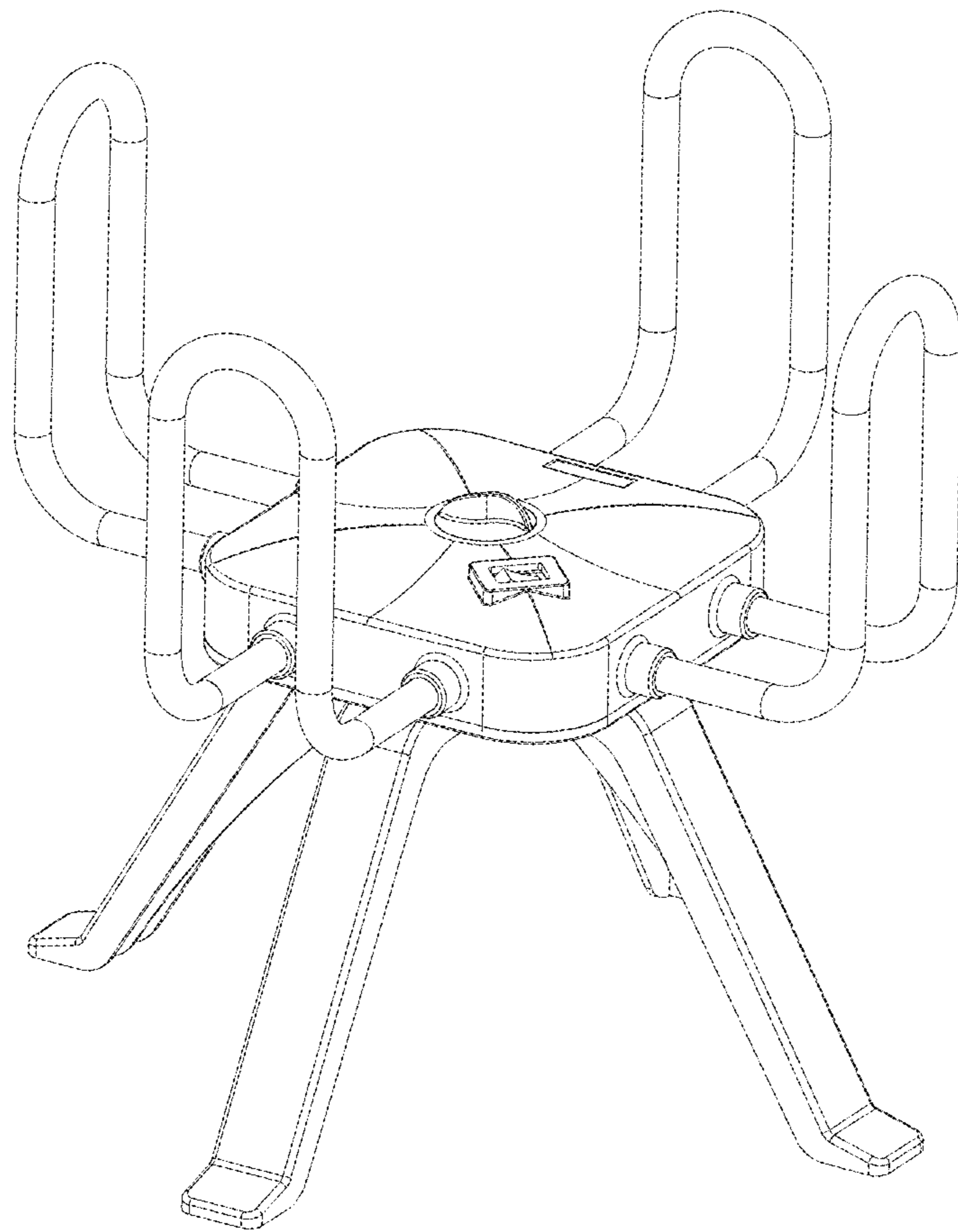


FIG. 7