



US00D762336S

(12) **United States Design Patent**  
**Chang**

(10) **Patent No.:** **US D762,336 S**  
(45) **Date of Patent:** **\*\* Jul. 26, 2016**

(54) **LAUNDRY SORTER**

(71) Applicant: **Charles Yao Chung Chang**, Diamond Bar, CA (US)

(72) Inventor: **Charles Yao Chung Chang**, Diamond Bar, CA (US)

(73) Assignee: **OCEANSTAR DESIGN GROUP INC.**, Diamond Bar, CA (US)

(\*\*) Term: **14 Years**

(21) Appl. No.: **29/508,844**

(22) Filed: **Nov. 12, 2014**

(51) **LOC (10) Cl.** ..... **07-07**

(52) **U.S. Cl.**  
USPC ..... **D32/37**

(58) **Field of Classification Search**  
USPC ..... D32/37, 35, 53, 53.1; D3/304-314;  
D9/721, 772, 720; 220/9.3, 9.2, 9.1,  
220/23.83  
CPC ..... A45C 7/00; A45C 7/0045; A45C 7/005;  
A45C 7/0077; D06F 95/002; D06F 95/004  
See application file for complete search history.

(56) **References Cited**

**U.S. PATENT DOCUMENTS**

- 2,014,904 A \* 9/1935 Martin ..... A45C 7/02  
220/9.3
- 2,638,399 A \* 5/1953 Seymour ..... D06F 95/004  
220/9.3
- 2,875,806 A \* 3/1959 Block ..... D06F 95/002  
220/9.3
- 3,286,752 A \* 11/1966 Duryee, Jr. .... A47G 29/06  
220/9.3
- D279,038 S \* 5/1985 Thompson, Jr. .... D32/37
- 4,646,802 A \* 3/1987 Basore ..... B65B 67/1244  
220/495.11
- 4,953,815 A \* 9/1990 Beymer ..... B65B 67/12  
248/97
- D341,687 S \* 11/1993 Park ..... D34/5
- 5,667,066 A \* 9/1997 Simpson ..... D06F 95/002  
206/278

- D404,861 S \* 1/1999 Balensiefer, II ..... D32/37
- D545,515 S \* 6/2007 Clucas ..... D32/37
- 8,910,813 B1 \* 12/2014 Barre ..... D06F 95/002  
220/23.83
- D732,779 S \* 6/2015 Bittle ..... D32/37
- D733,984 S \* 7/2015 Tsai ..... D32/37

**OTHER PUBLICATIONS**

[http://www.amazon.com/Household-Essentials-X-Frame-Laundry-Hamper/dp/B003VYAGNS/ref=sr\\_1\\_2?ie=UTF8&qid=1415730111&sr=8-2&keywords=x+frame+hamper](http://www.amazon.com/Household-Essentials-X-Frame-Laundry-Hamper/dp/B003VYAGNS/ref=sr_1_2?ie=UTF8&qid=1415730111&sr=8-2&keywords=x+frame+hamper).  
[http://www.amazon.com/Household-Essentials-Rolling-Laundry-Polyester/dp/B0072CPW6G/ref=sr\\_1\\_31?ie=UTF8&qid=1415730187&sr=8-31&keywords=x+frame+hamper](http://www.amazon.com/Household-Essentials-Rolling-Laundry-Polyester/dp/B0072CPW6G/ref=sr_1_31?ie=UTF8&qid=1415730187&sr=8-31&keywords=x+frame+hamper).  
[http://www.costco.com/.product.100041083.html?cm\\_sp=RichRelevance-\\_-categorypageHorizontalTop-\\_-PersonalizedClickCPIInCategory&cm\\_vc=categorypageHorizontalTop|PersonalizedClickCPIInCategory](http://www.costco.com/.product.100041083.html?cm_sp=RichRelevance-_-categorypageHorizontalTop-_-PersonalizedClickCPIInCategory&cm_vc=categorypageHorizontalTop|PersonalizedClickCPIInCategory).  
<http://www.organizeit.com/images/791261-hamper.jpg>.

\* cited by examiner

*Primary Examiner* — Susan Bennett Hattan  
*Assistant Examiner* — Rebecca Tsehaye  
 (74) *Attorney, Agent, or Firm* — Dunlap, Bennett & Ludwig PLLC

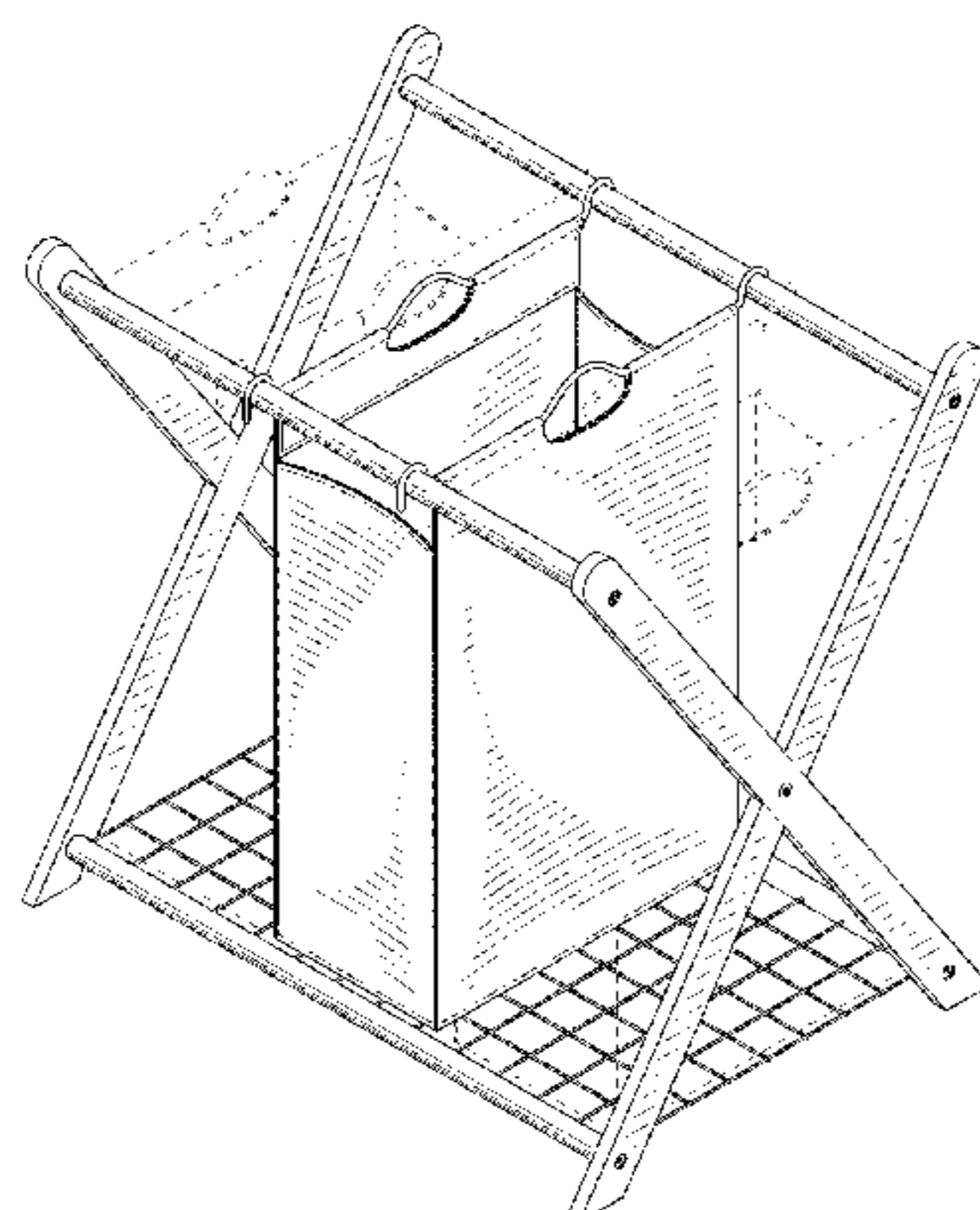
(57) **CLAIM**

The ornamental design for a laundry sorter, as shown and described.

**DESCRIPTION**

FIG. 1 is a perspective front view of a laundry sorter;  
 FIG. 2 is a front elevation view thereof; the rear elevation view being a mirror image thereof;  
 FIG. 3 is a left side elevation view thereof; the right side view being a mirror image thereof;  
 FIG. 4 is a top elevation view thereof; and,  
 FIG. 5 is a bottom elevation view thereof.  
 The broken lines shown in the drawings that illustrate additional bags form no part of the claimed design.

**1 Claim, 3 Drawing Sheets**



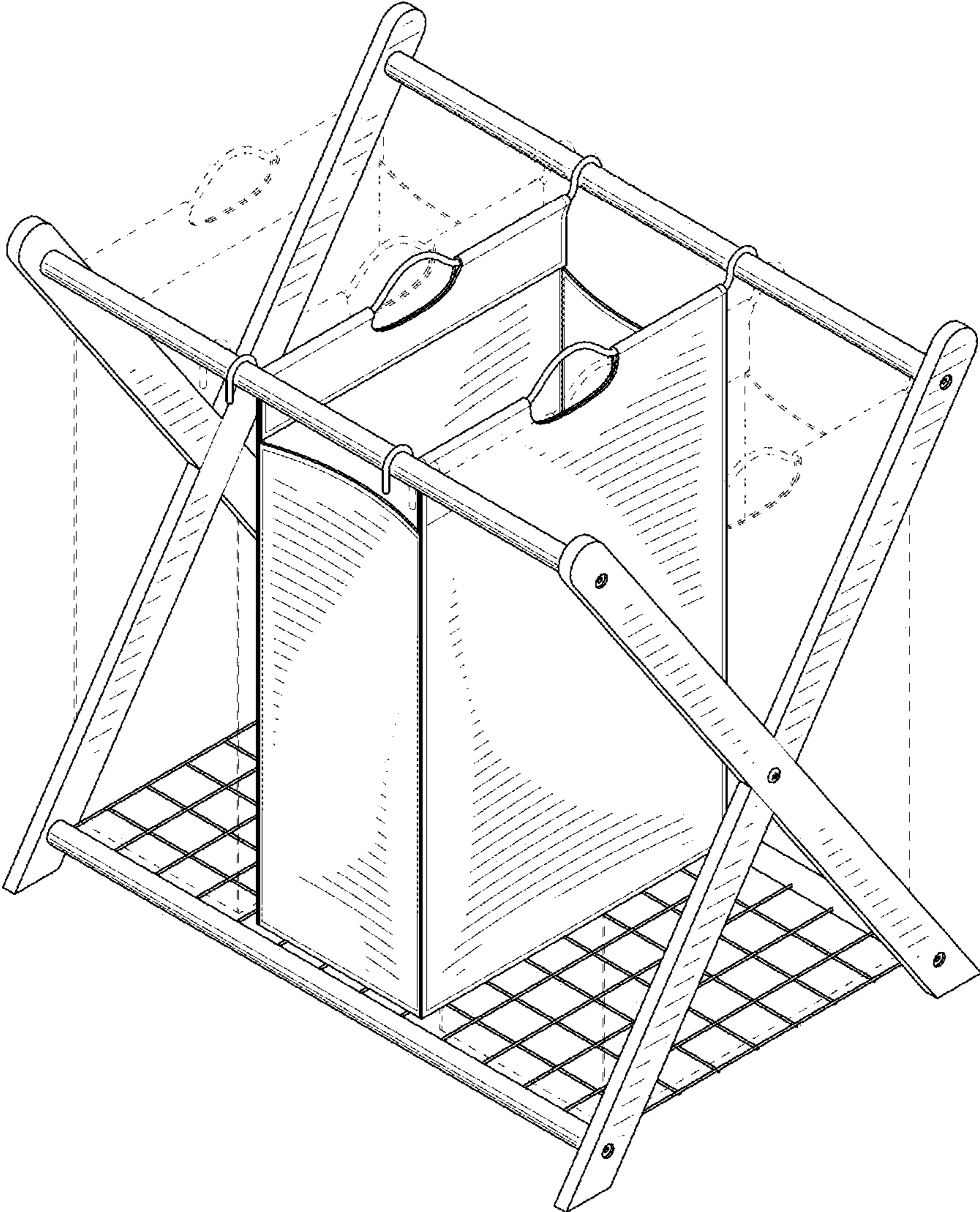


FIG. 1

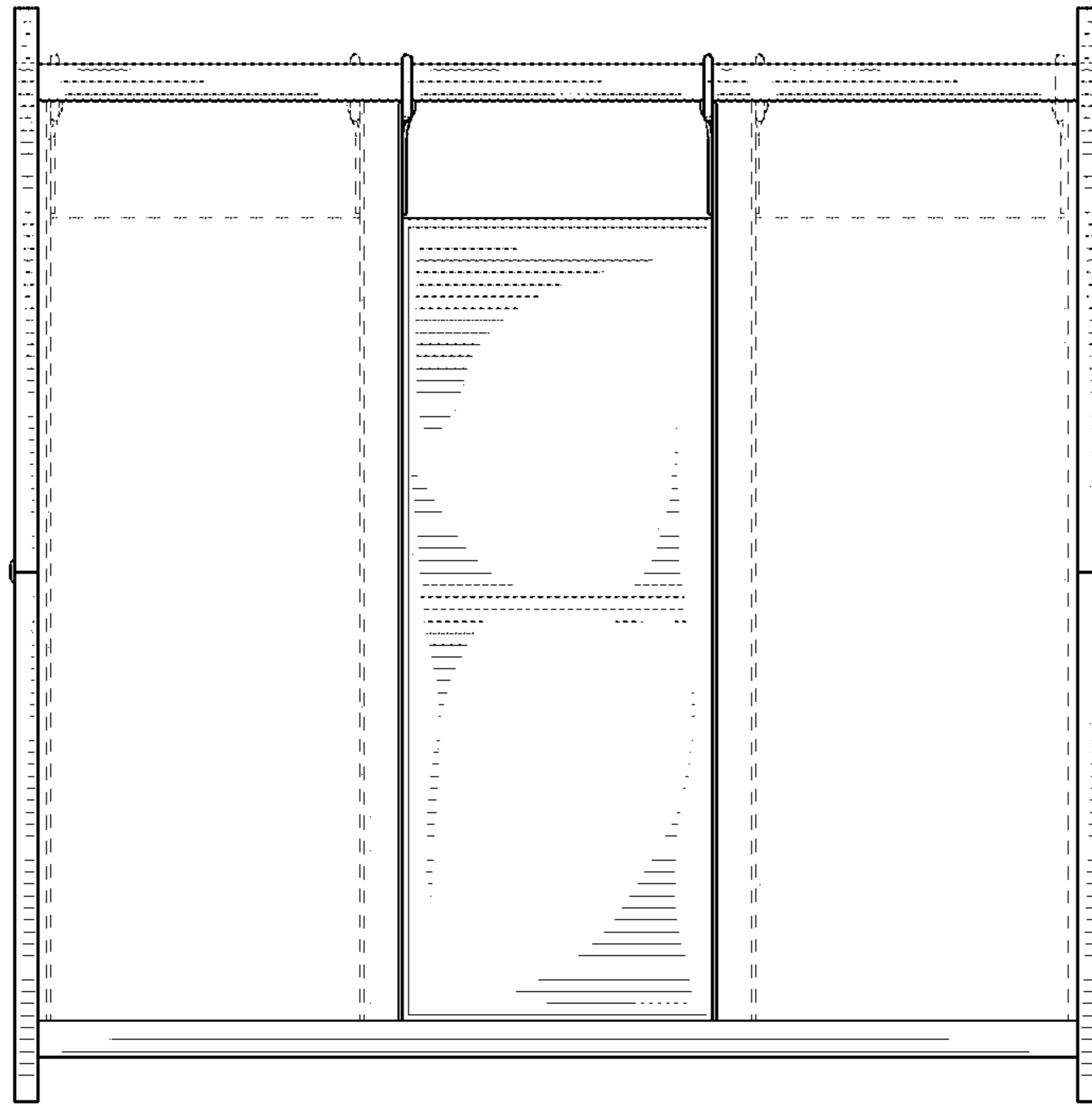


FIG. 2

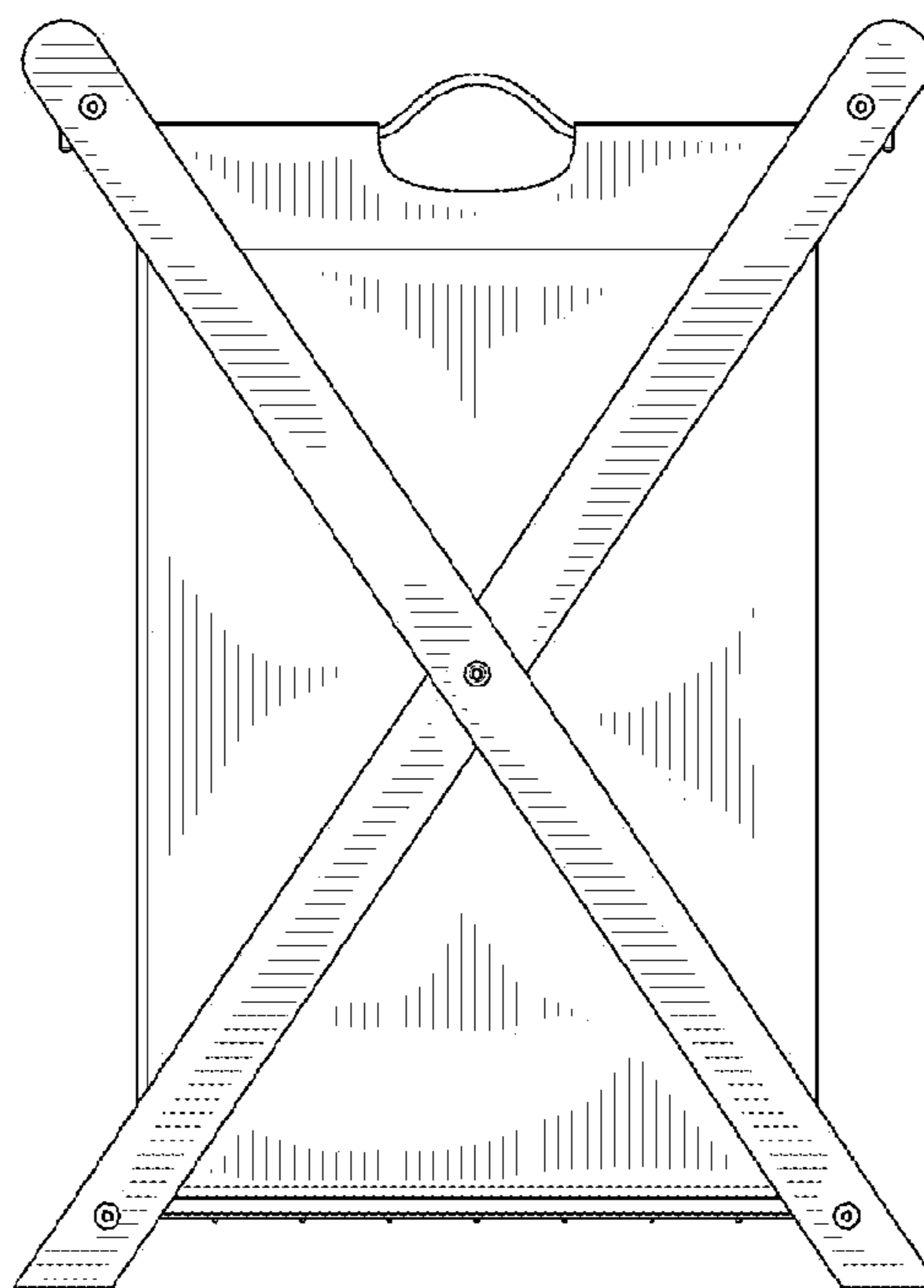


FIG. 3

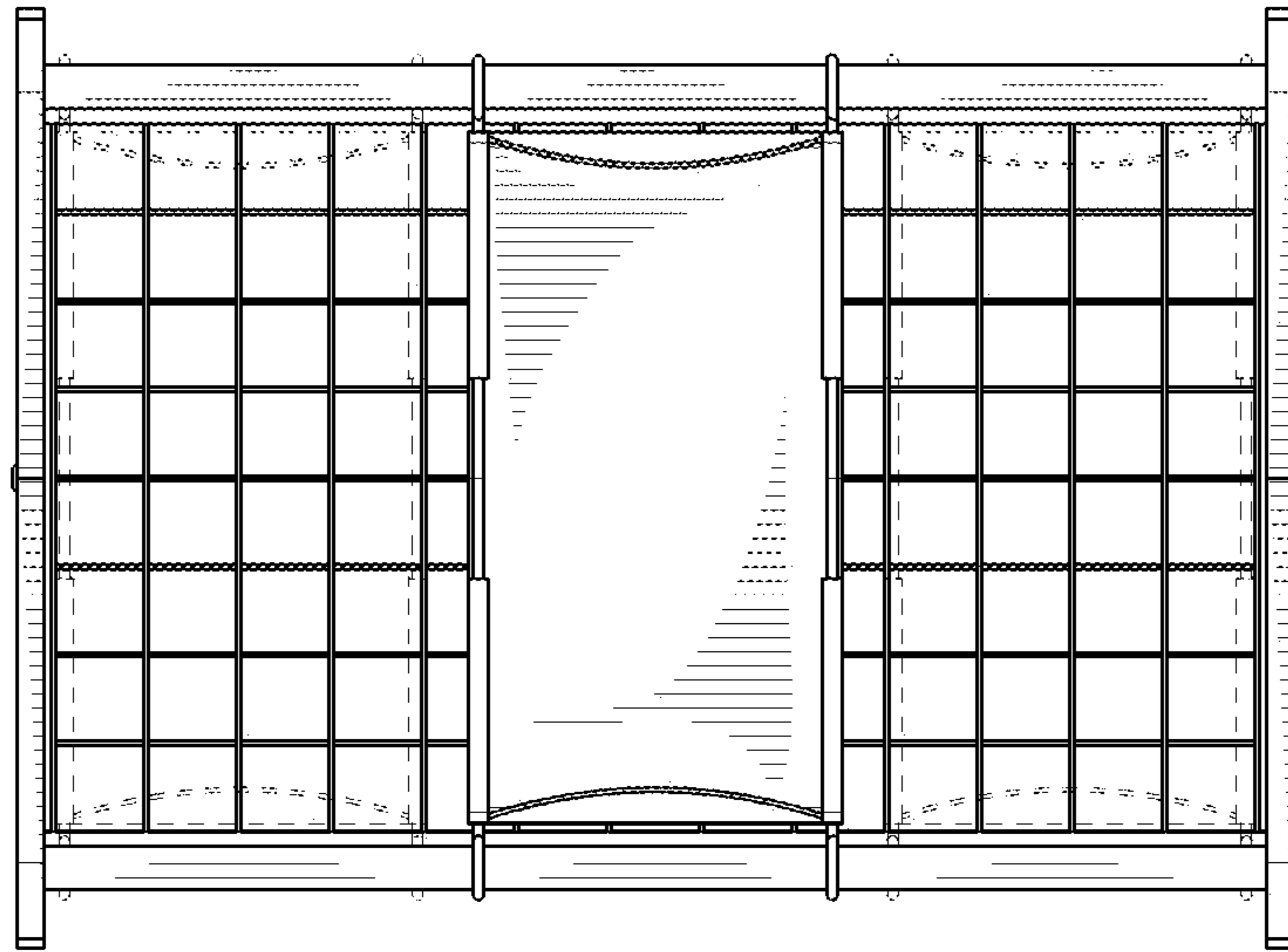


FIG. 4

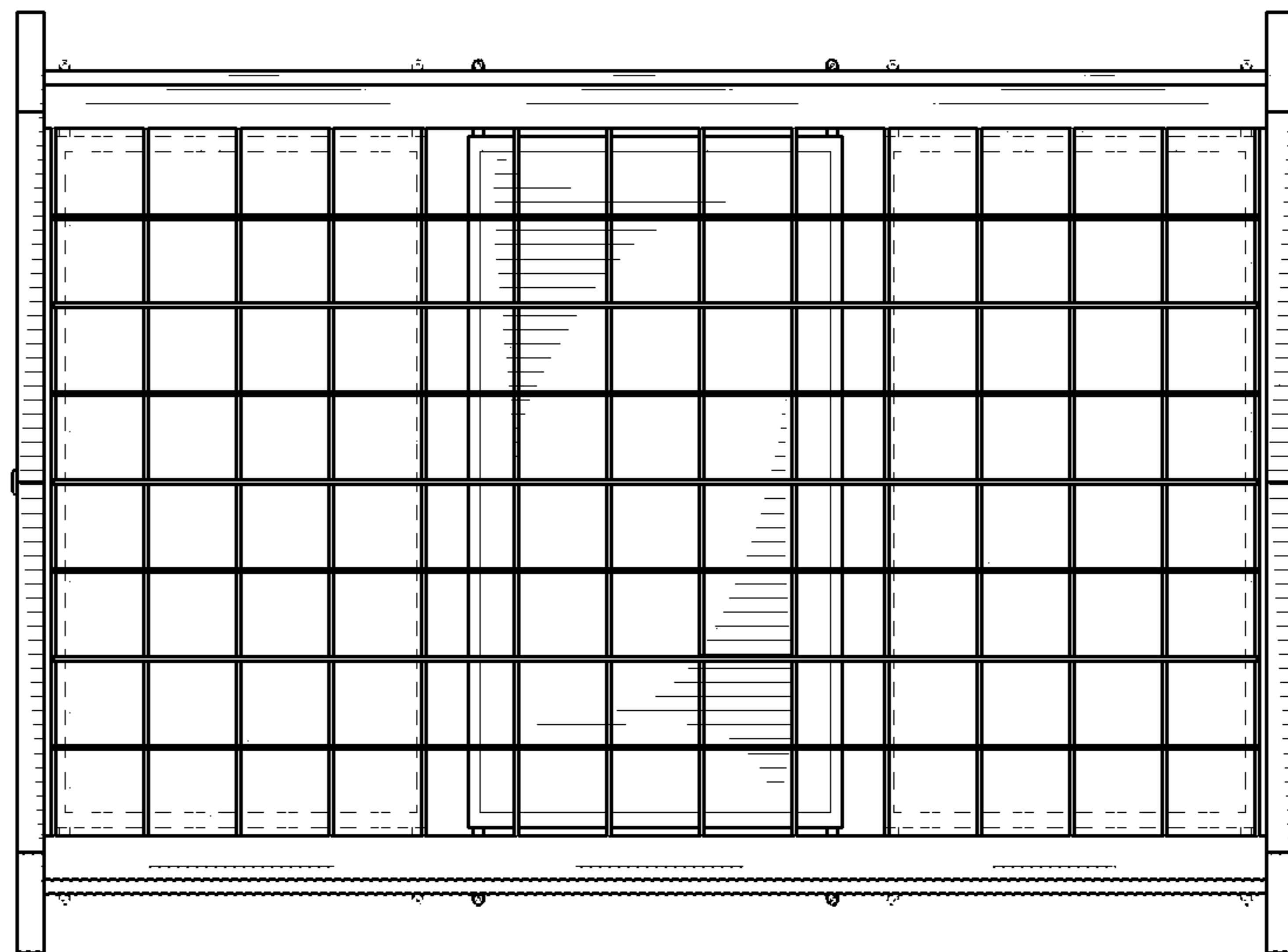


FIG. 5