



US00D762335S

(12) **United States Design Patent**
Fry et al.

(10) **Patent No.:** **US D762,335 S**
(45) **Date of Patent:** **** Jul. 26, 2016**

(54) **VACUUM CLEANER**

(71) Applicant: **SHOP VAC CORPORATION,**
Williamsport, PA (US)

(72) Inventors: **Kevin D. Fry,** South Williamsport, PA
(US); **Robert Lent Crevling, Jr.,**
Williamsport, PA (US)

(73) Assignee: **SHOP VAC CORPORATION,**
Williamsport, PA (US)

(**) Term: **14 Years**

(21) Appl. No.: **29/483,770**

(22) Filed: **Mar. 3, 2014**

(51) **LOC (10) Cl.** **15-05**

(52) **U.S. Cl.**
USPC **D32/31**

(58) **Field of Classification Search**
USPC D32/21, 23-24, 31
CPC A47L 5/362; A47L 5/365; A47L 5/28;
A47L 9/26; A47L 11/34; A47L 7/0038;
B65H 75/18
See application file for complete search history.

(56) **References Cited**

U.S. PATENT DOCUMENTS

D354,380	S	*	1/1995	Stephens	D32/31
D361,179	S	*	8/1995	Moine et al.	D32/23
D374,523	S	*	10/1996	Tomasiak	D32/31
5,954,863	A	*	9/1999	Loveless et al.	96/321
D422,764	S	*	4/2000	Wood	D32/31
6,055,700	A	*	5/2000	Holsten et al.	15/327.2
D438,353	S	*	2/2001	Hoshino et al.	D32/23
6,237,187	B1	*	5/2001	Hult et al.	15/323
D443,739	S	*	6/2001	Young et al.	D32/23
D447,609	S	*	9/2001	Hult et al.	D32/31
D470,279	S	*	2/2003	Griffin et al.	D32/23
D470,281	S	*	2/2003	Griffin et al.	D32/23

D479,023	S	*	8/2003	Holsten et al.	D32/23
D486,280	S	*	2/2004	Holsten et al.	D32/23
D492,823	S	*	7/2004	Hoshino et al.	D32/23
D492,824	S	*	7/2004	Tomasiak et al.	D32/23
D519,251	S	*	4/2006	Hoshino et al.	D32/23
D614,369	S	*	4/2010	Theising et al.	D32/31
D623,367	S	*	9/2010	Gottschall et al.	D32/31
D657,101	S	*	4/2012	Williams et al.	D32/23
D666,369	S	*	8/2012	Williams et al.	D32/23
D670,048	S	*	10/2012	Theising et al.	D32/23
D713,109	S	*	9/2014	Seasholtz et al.	D32/31
2002/0138937	A1	*	10/2002	Griffin et al.	15/323
2004/0098822	A1	*	5/2004	Martinez et al.	15/323
2015/0013101	A1	*	1/2015	Wolfe et al.	15/323

* cited by examiner

Primary Examiner — Ruth McInroy

(74) *Attorney, Agent, or Firm* — Marshall, Gerstein & Borun
LLP

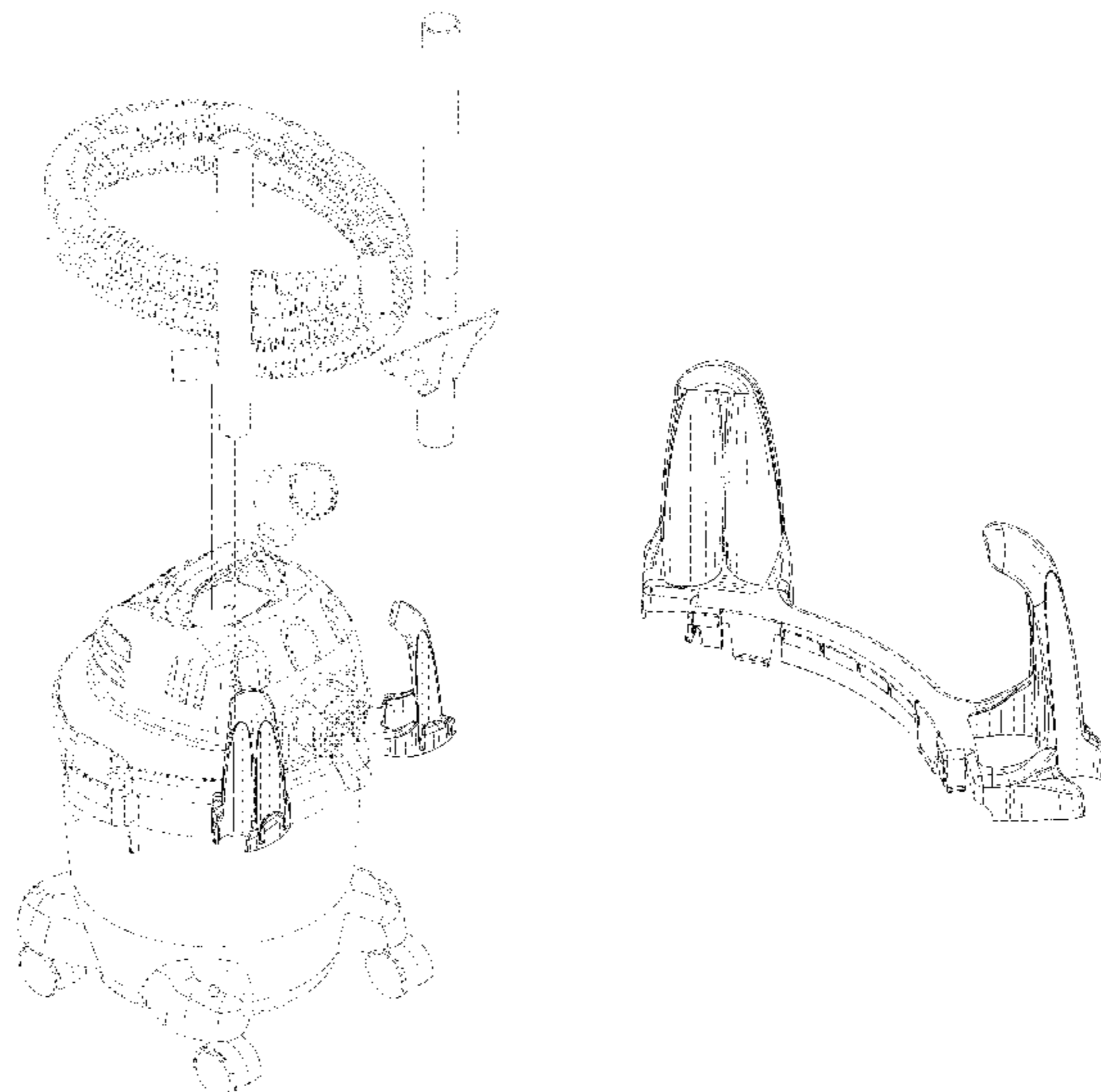
(57) **CLAIM**

The ornamental design for a vacuum cleaner, as shown and described.

DESCRIPTION

FIG. 1 is a rear, top and left-side perspective view of a vacuum cleaner showing our new design;
FIG. 2 is a front, top and left-side perspective view thereof;
FIG. 3 is an exploded rear perspective view thereof;
FIG. 4 is an enlarged front, top and side perspective view thereof;
FIG. 5 is an enlarged rear, top and side perspective view thereof;
FIG. 6 is a top plan view thereof;
FIG. 7 is a side elevation view thereof;
FIG. 8 is a front elevation view thereof; and,
FIG. 9 is a rear elevation view thereof.
The broken lines show elements of the vacuum cleaner that form no part of the claimed design.

1 Claim, 6 Drawing Sheets



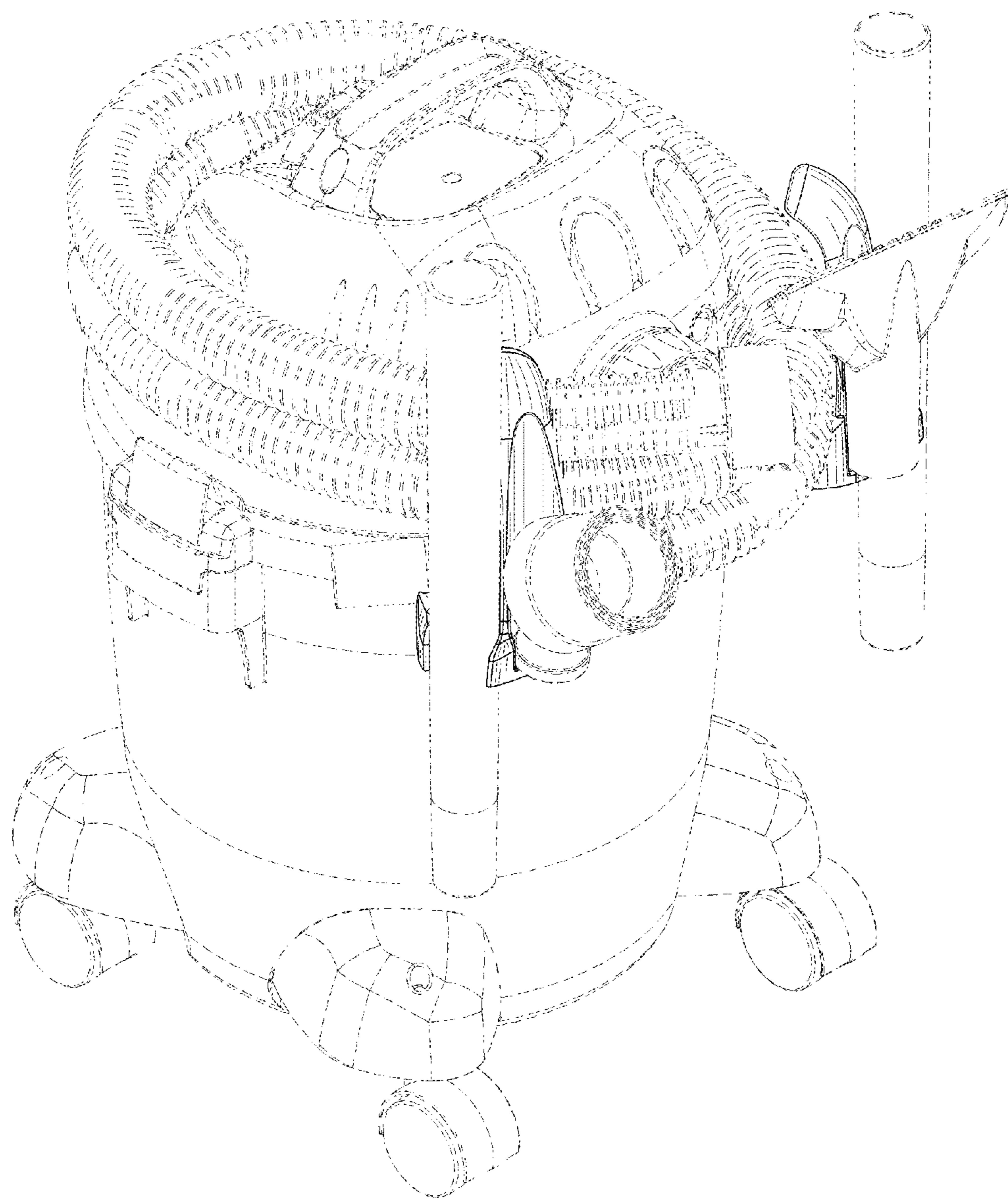


FIG. 1

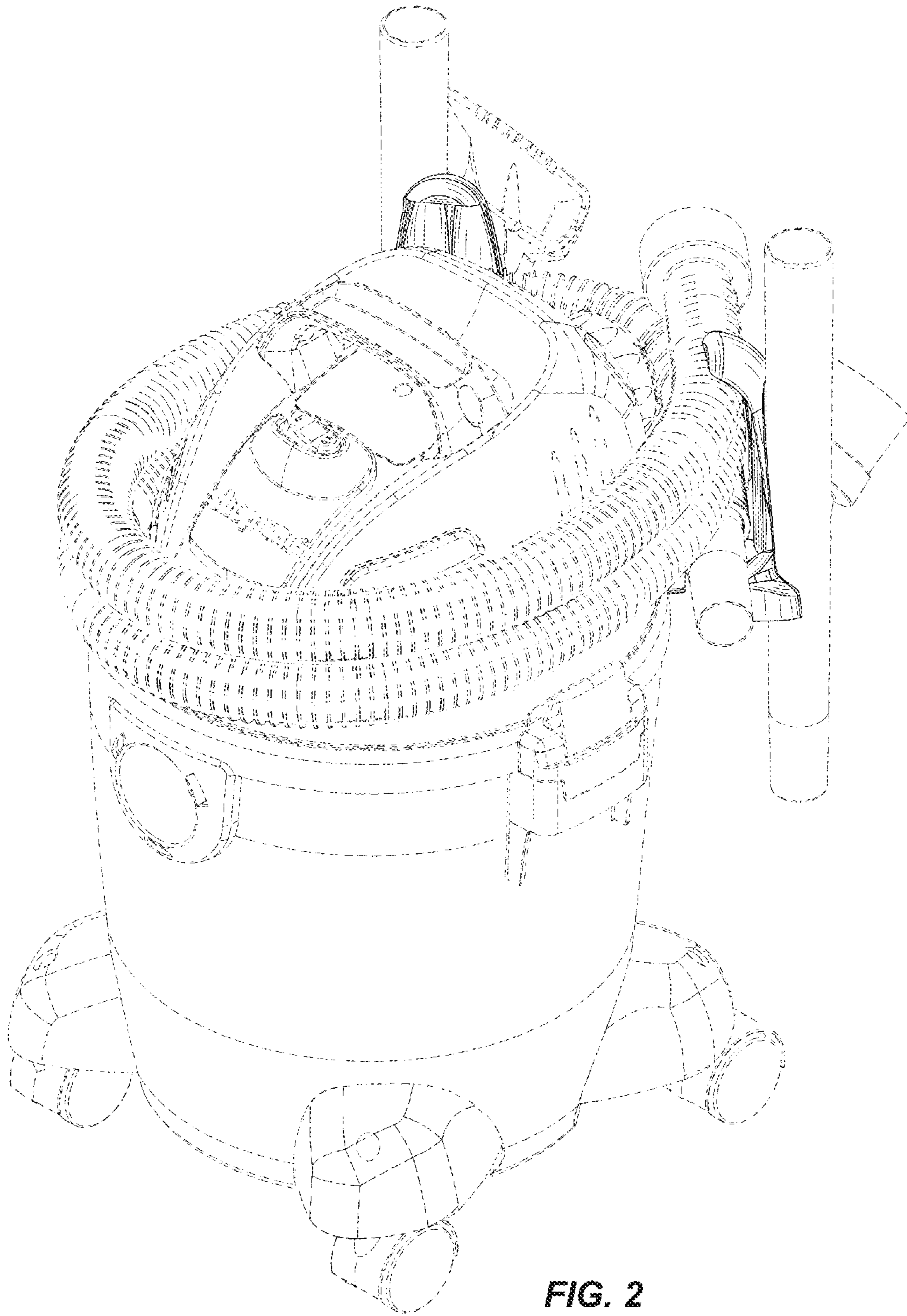


FIG. 2

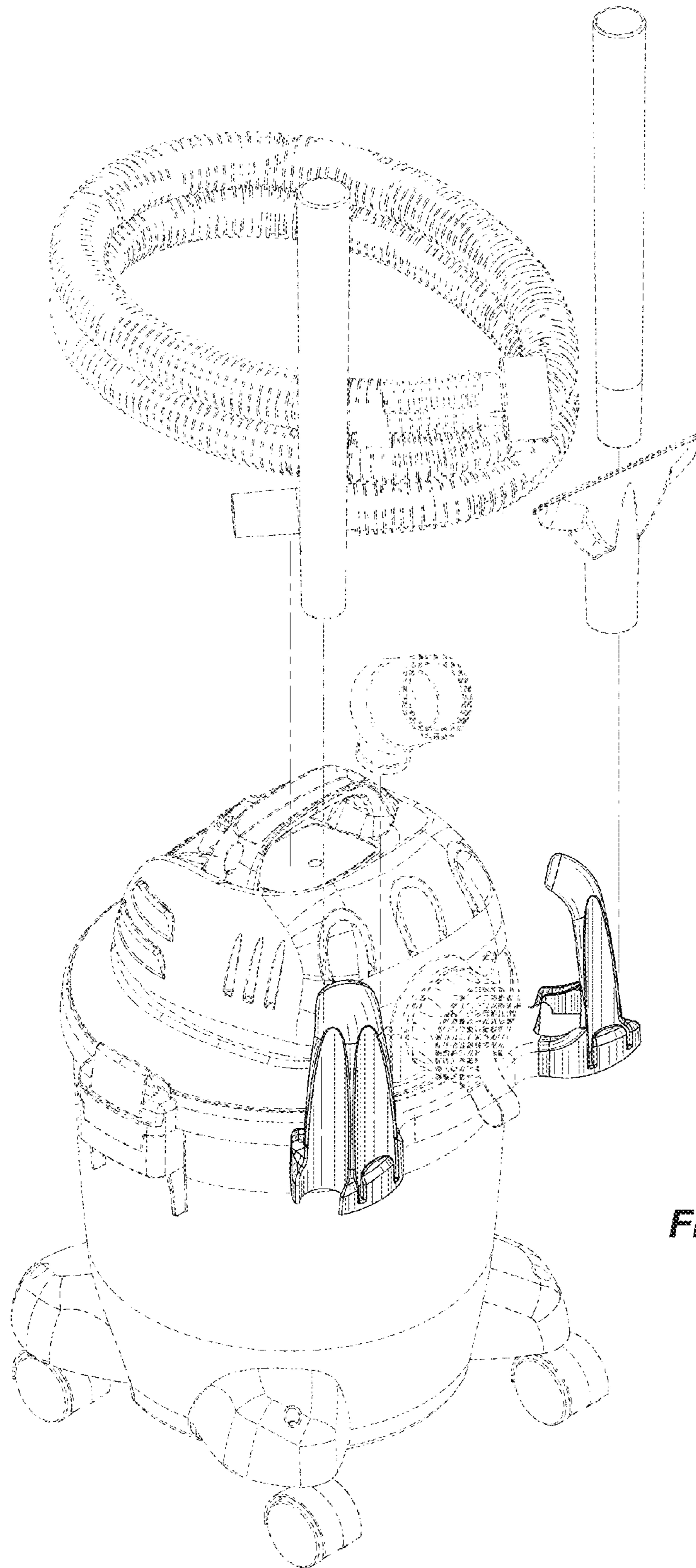
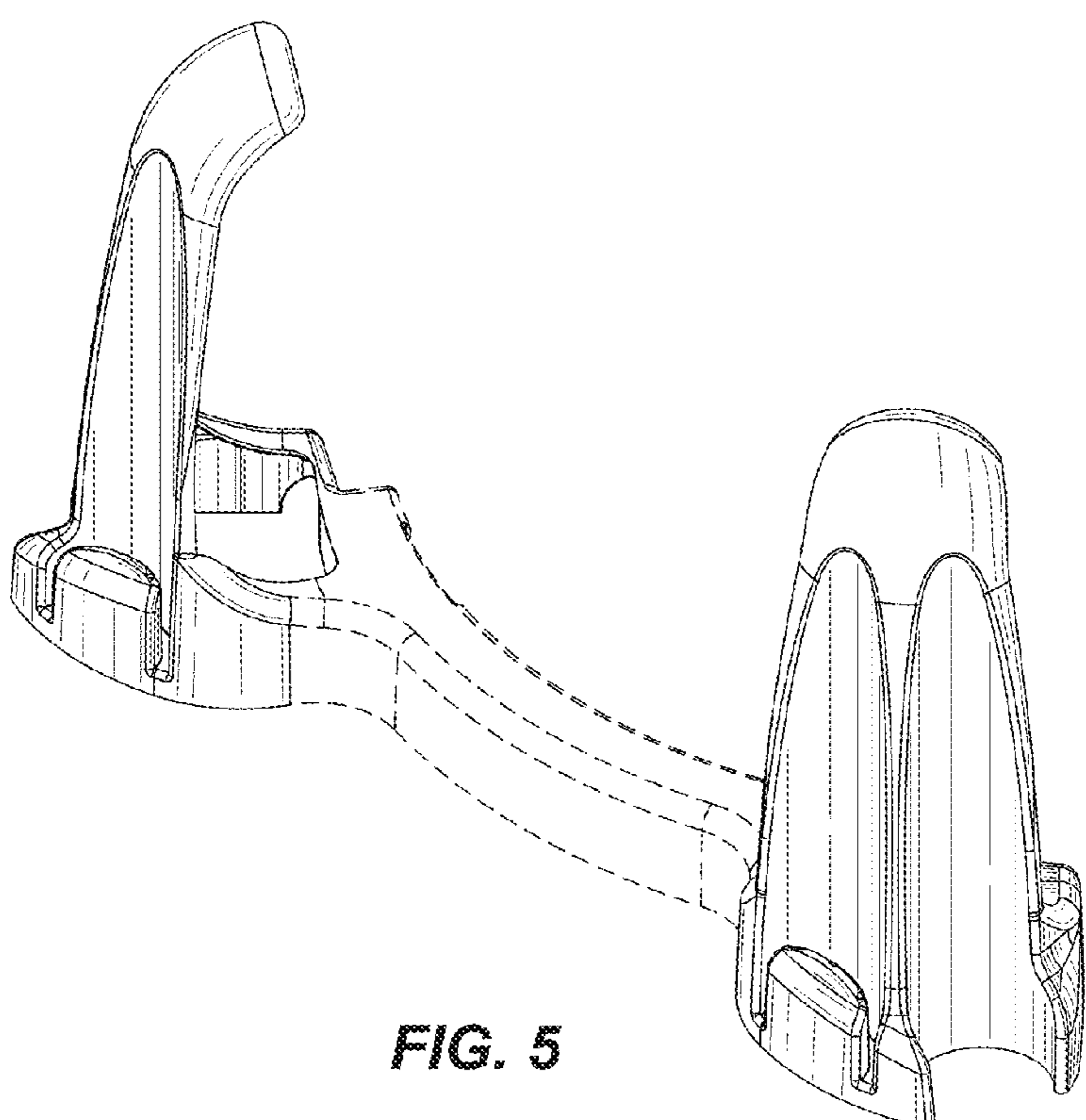
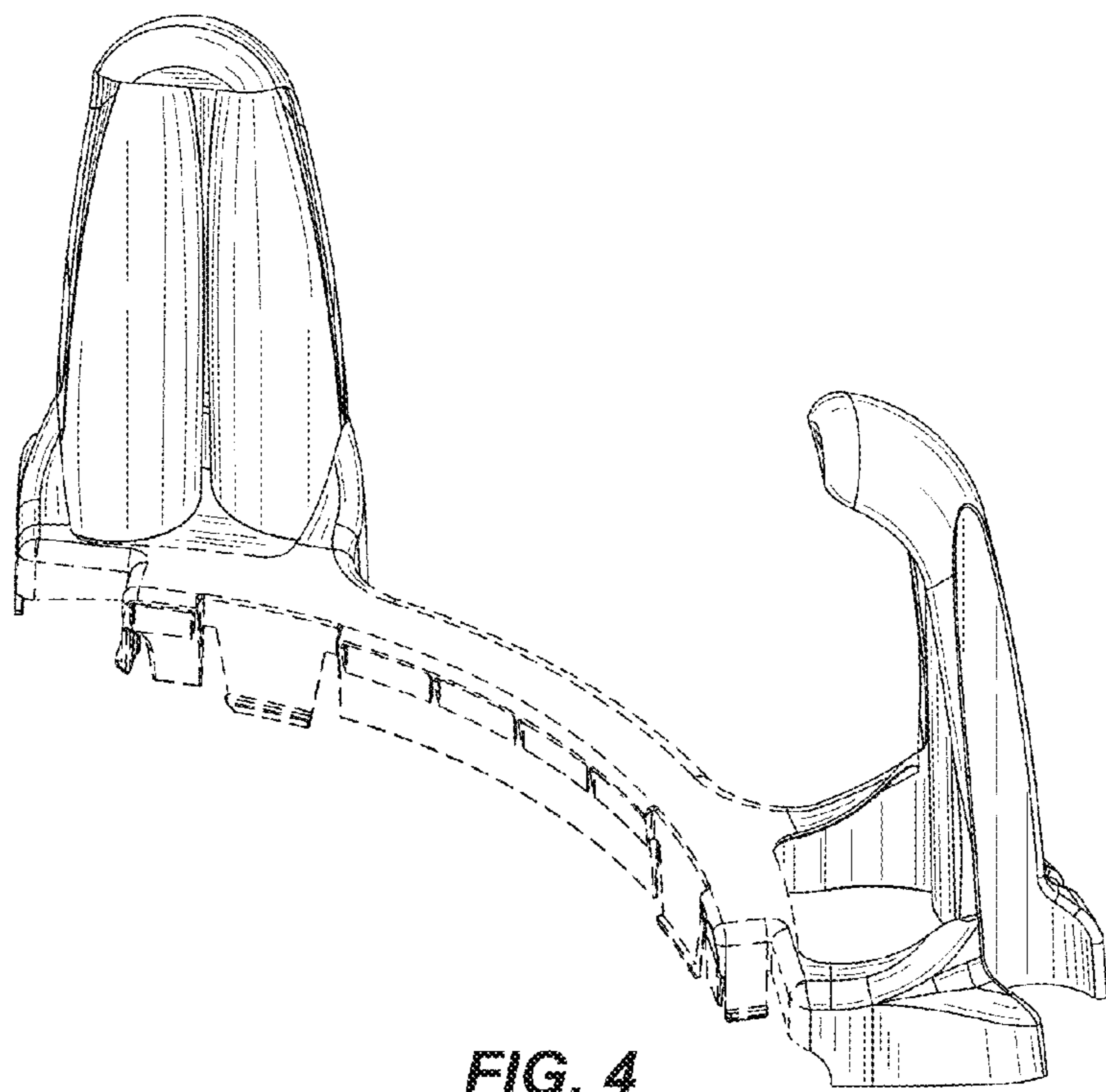


FIG. 3



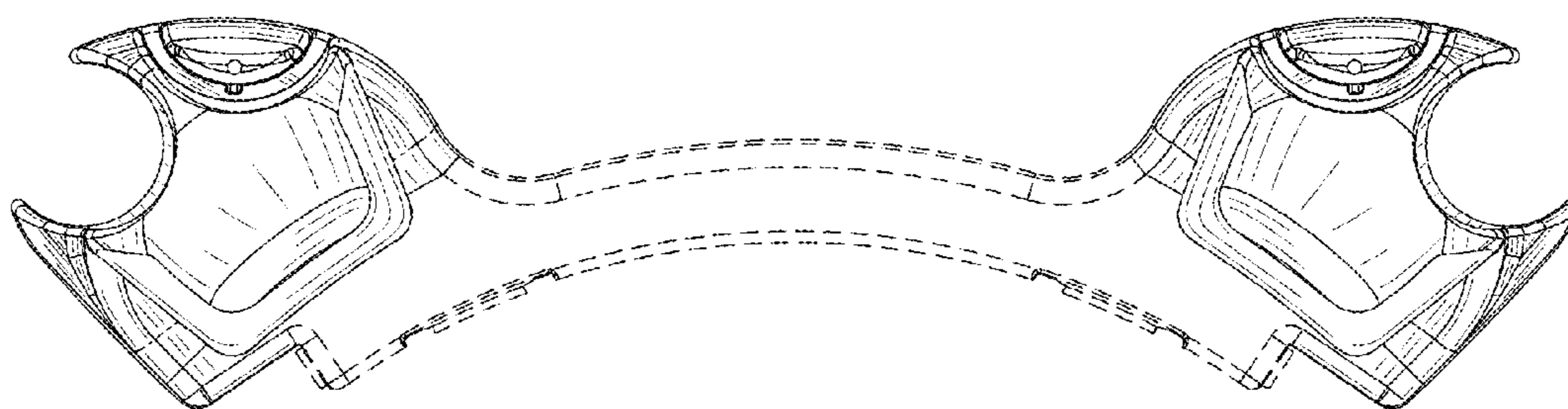


FIG. 6

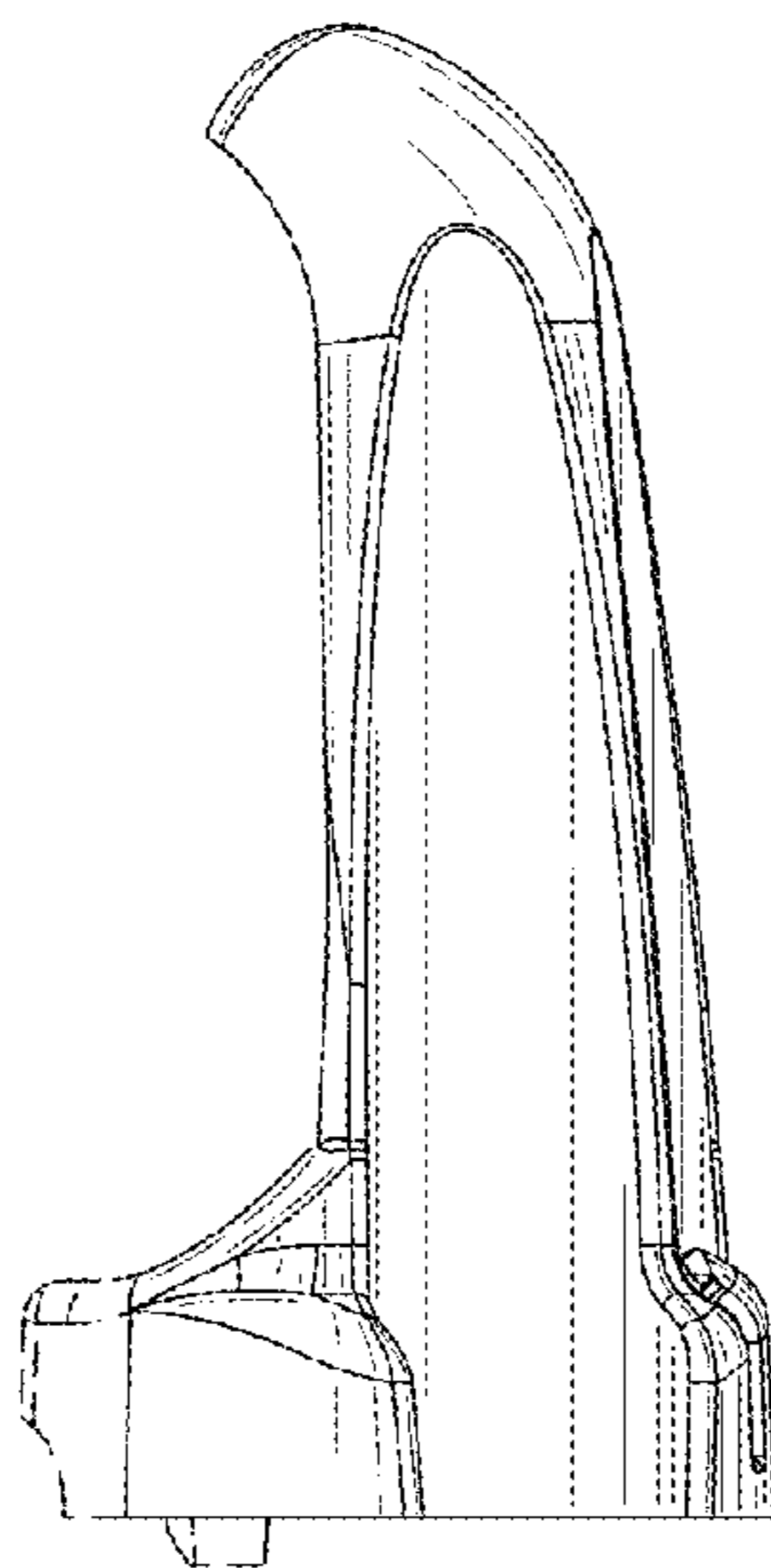


FIG. 7

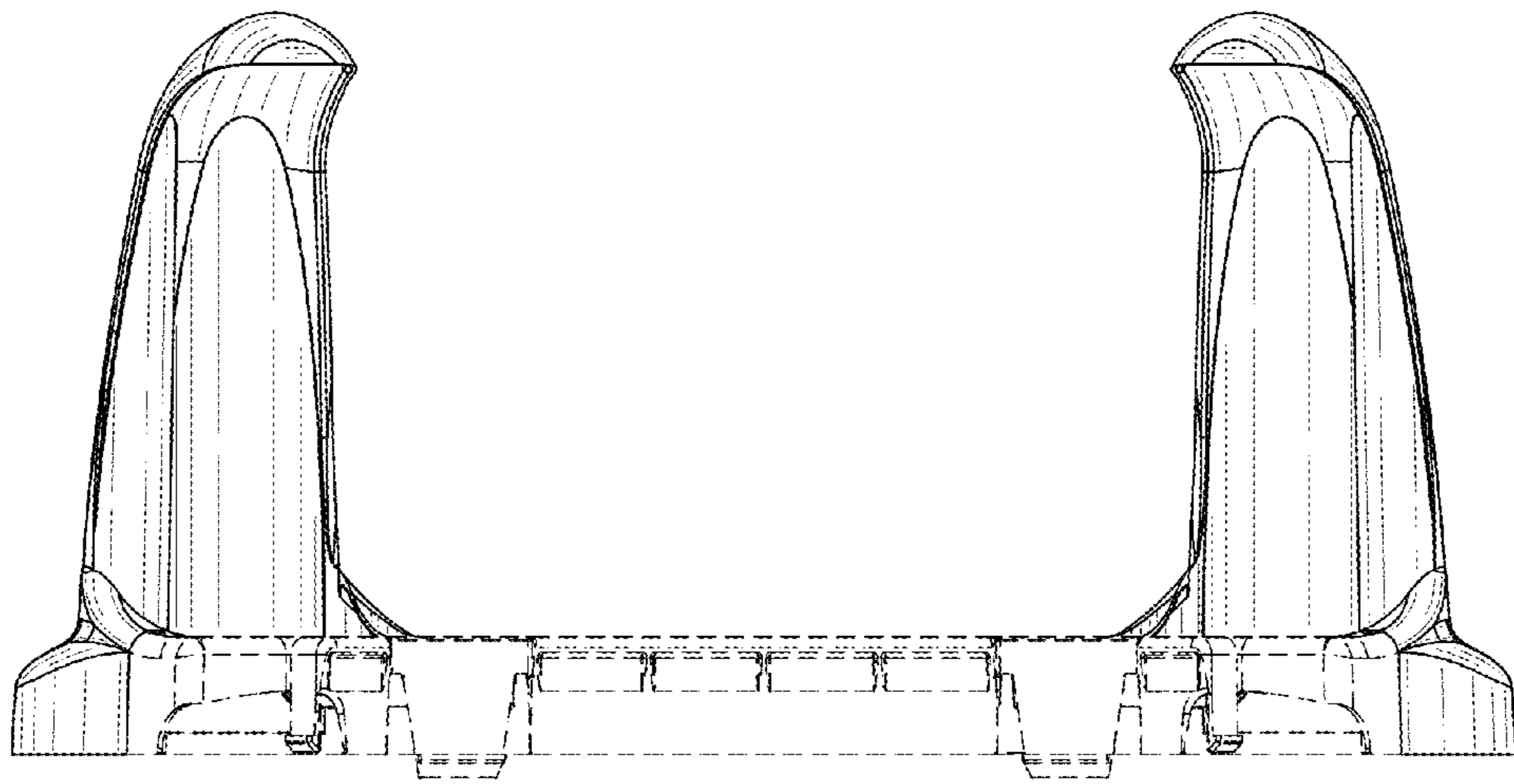


FIG. 8

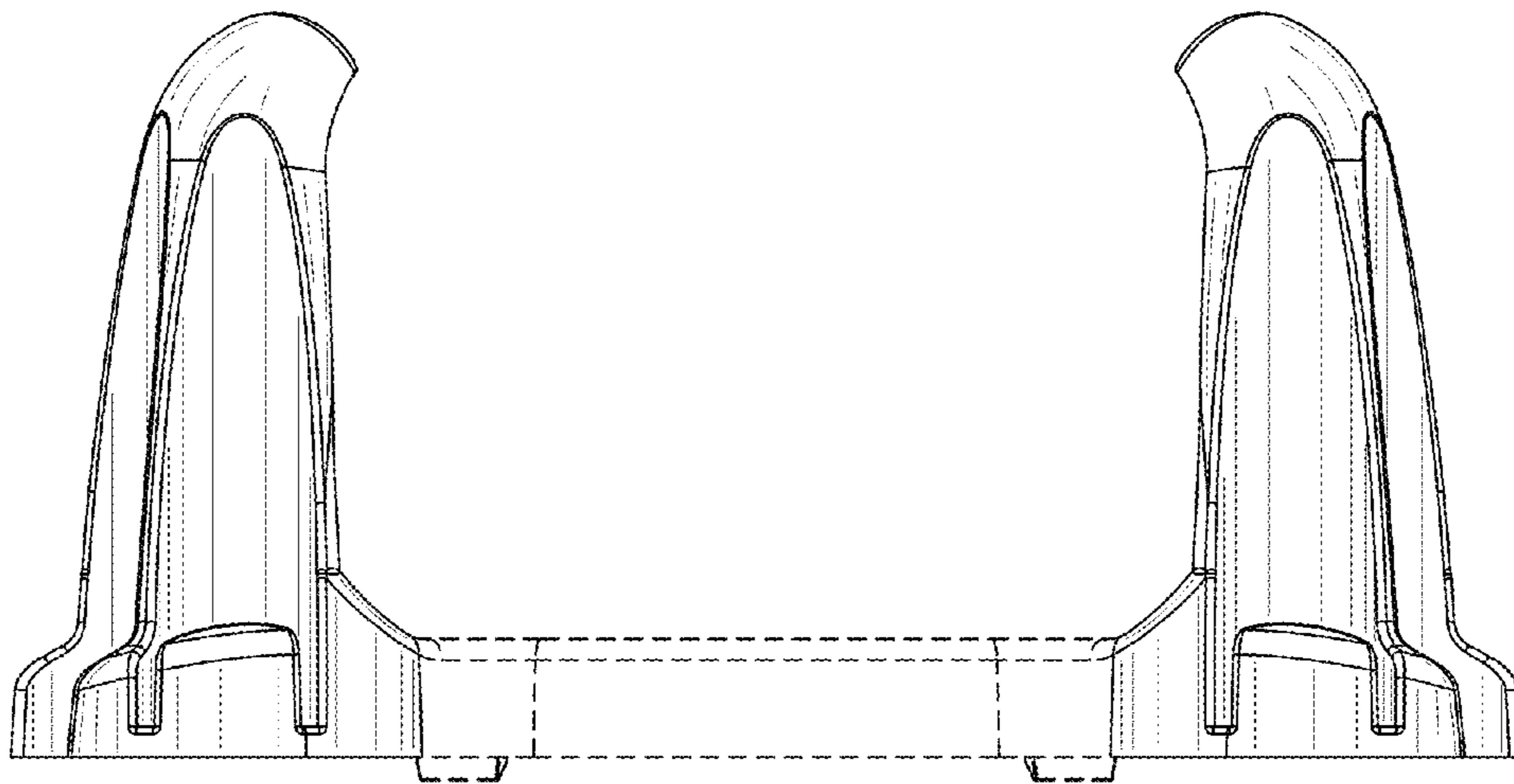


FIG. 9