



US00D762334S

(12) **United States Design Patent**  
**Kim et al.**

(10) **Patent No.:** **US D762,334 S**  
(45) **Date of Patent:** **\*\* Jul. 26, 2016**

(54) **DISHWASHER**  
(71) Applicant: **LG Electronics Inc.**, Seoul (KR)  
(72) Inventors: **Soo Yeon Kim**, Seoul (KR); **Mi Young Kim**, Seoul (KR); **Yoon Sang Kim**, Seoul (KR); **Song Yi Han**, Seoul (KR)  
(73) Assignee: **LG Electronics Inc.**, Seoul (KR)

D681,290 S *	4/2013	Eng	.....	D32/3
D702,897 S *	4/2014	Eng	.....	D32/3
D710,557 S *	8/2014	Haft	.....	D32/3
D720,100 S *	12/2014	Roberson	.....	D32/3
D729,992 S *	5/2015	Haft	.....	D32/3
D730,593 S *	5/2015	Eng	.....	D32/3
D743,118 S *	11/2015	Lee	.....	D32/2
D743,121 S *	11/2015	Roberson	.....	D32/3
D745,755 S *	12/2015	Roberson	.....	D32/3
D746,003 S *	12/2015	Shin	.....	D32/2
D748,875 S *	2/2016	Roberson	.....	D26/42

(\*\*) Term: **14 Years**

\* cited by examiner

(21) Appl. No.: **29/521,312**

*Primary Examiner* — Rosemary K Tarcza

(22) Filed: **Mar. 23, 2015**

*Assistant Examiner* — Yolanda Robinson

(30) **Foreign Application Priority Data**

Nov. 13, 2014 (KR) ..... 30-2014-0054699

(74) *Attorney, Agent, or Firm* — Morgan, Lewis & Bockius LLP

(51) **LOC (10) Cl.** ..... **15-05**

(57) **CLAIM**

We claim the ornamental design for a dishwasher, as shown and described.

(52) **U.S. Cl.**  
USPC ..... **D32/3**

**DESCRIPTION**

(58) **Field of Classification Search**  
USPC ..... D32/2, 3, 5, 25, 28; D15/91;  
D7/405-406; 134/175-177  
CPC ..... A47L 15/00; A47L 15/0002; A47L 15/50;  
A47L 15/0005  
See application file for complete search history.

FIG. 1 is a perspective view of a dishwasher showing our new design;  
FIG. 2 is a front elevation view thereof;  
FIG. 3 is a rear elevation view thereof;  
FIG. 4 is a left-side elevation view thereof;  
FIG. 5 is a right-side elevation view thereof;  
FIG. 6 is a top plan view thereof; and,  
FIG. 7 is a bottom plan view thereof.  
The broken lines in the drawing figures are included for the purpose of illustrating environment and form no part of the claimed design.

(56) **References Cited**

**U.S. PATENT DOCUMENTS**

D515,255 S *	2/2006	Jeong	.....	D32/3
D543,321 S *	5/2007	Jeon	.....	D32/2
D571,062 S *	6/2008	Suh	.....	D32/2
D672,101 S *	12/2012	Eng	.....	D32/3

**1 Claim, 6 Drawing Sheets**

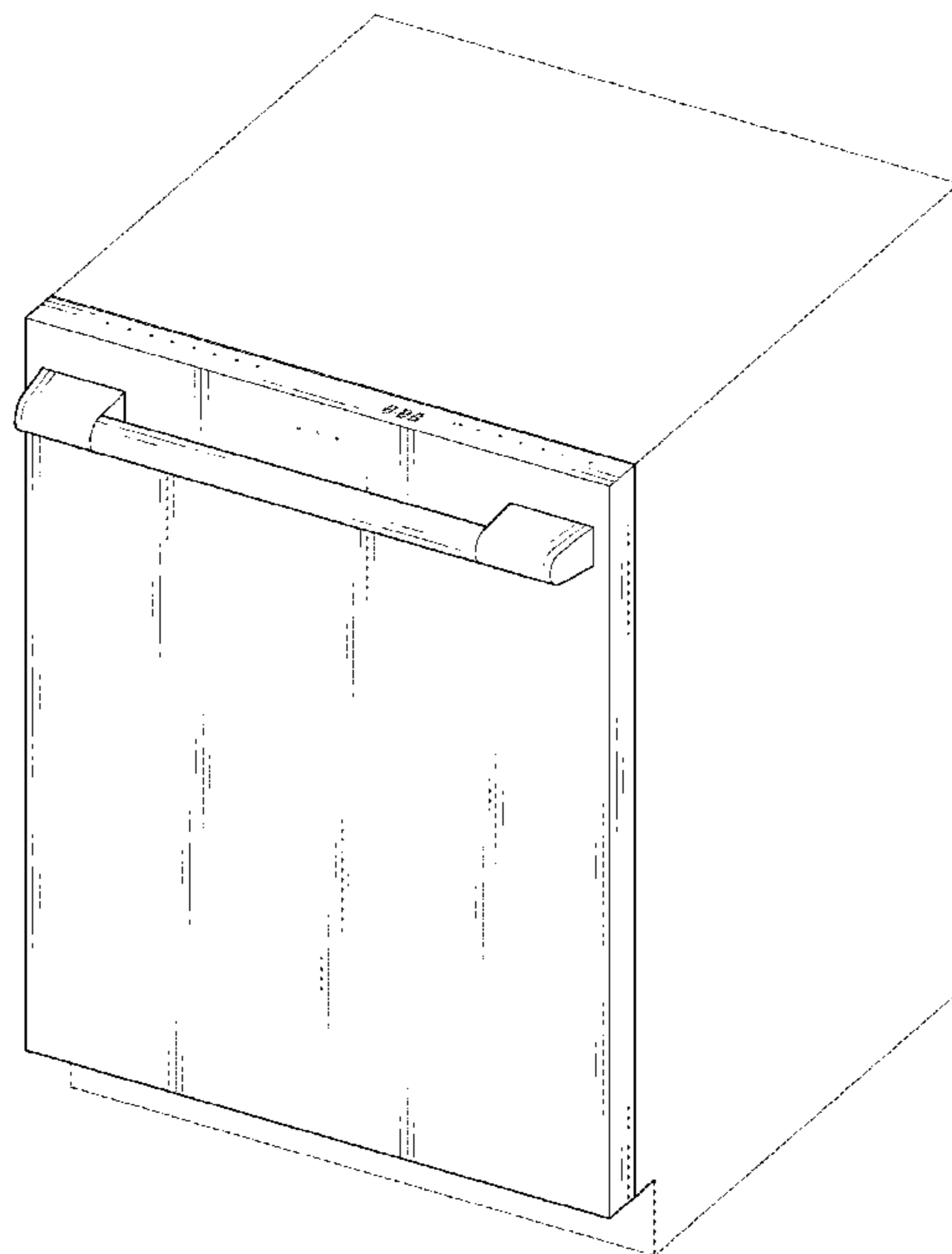


FIG. 1

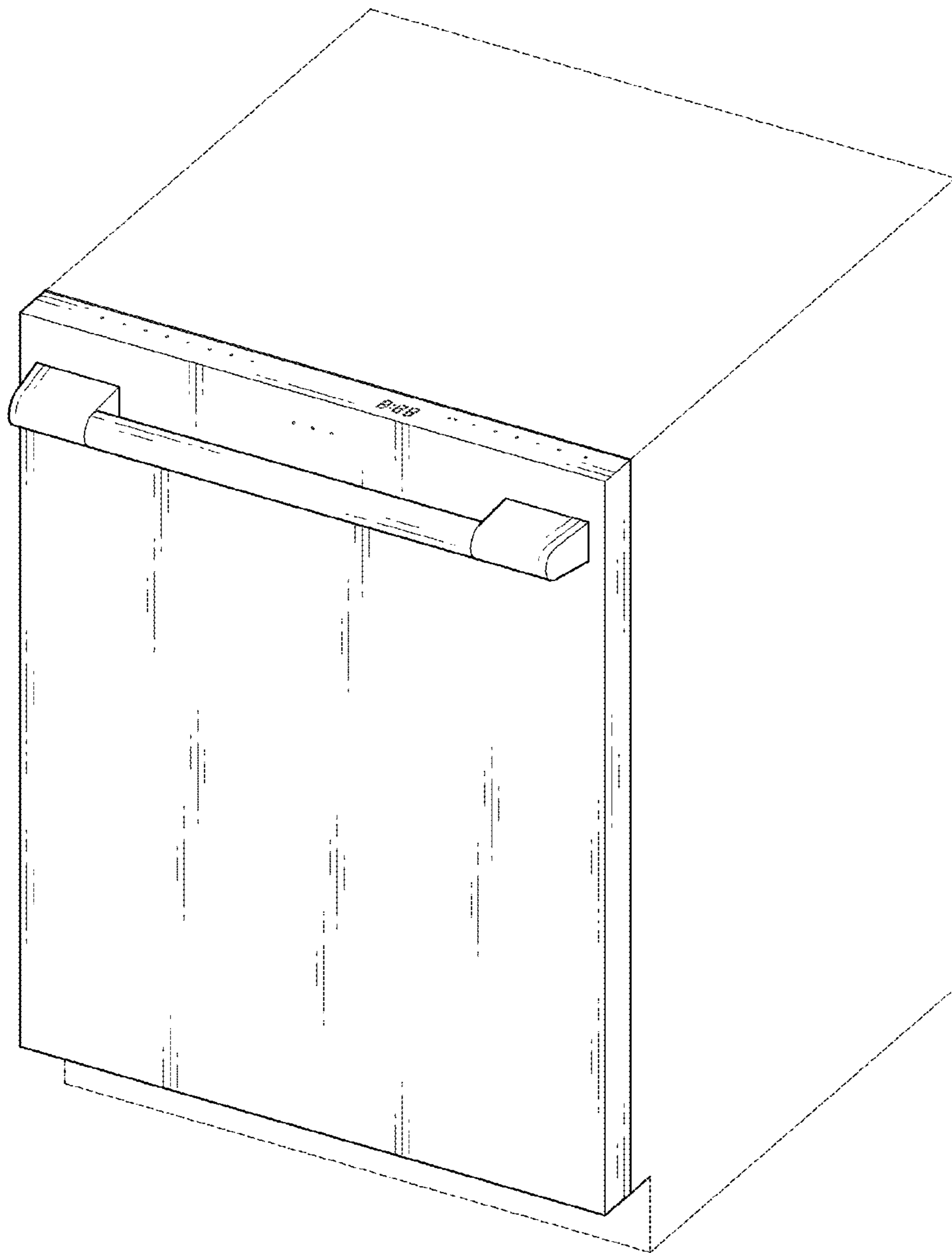


FIG. 2

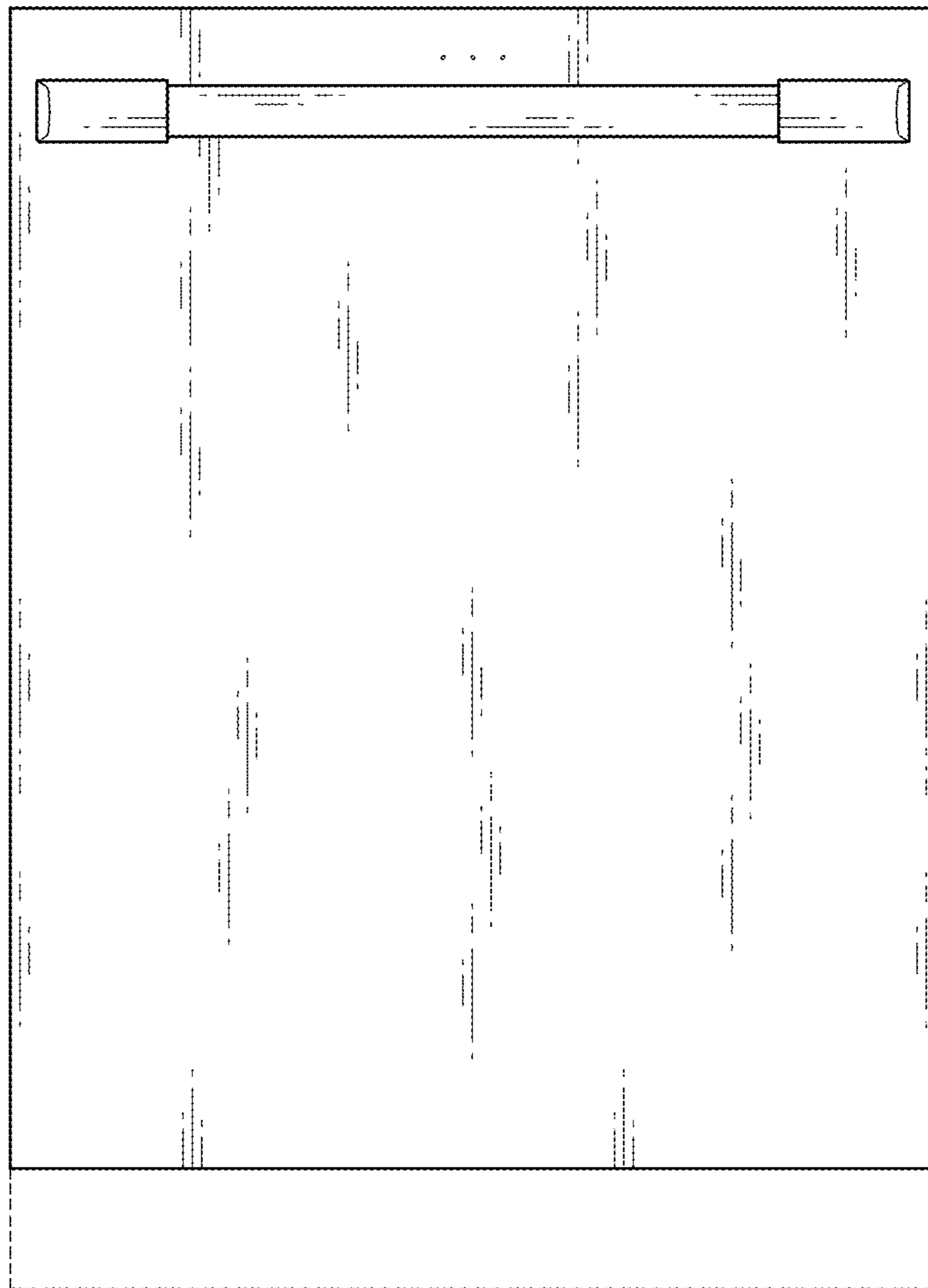


FIG. 3



FIG. 4

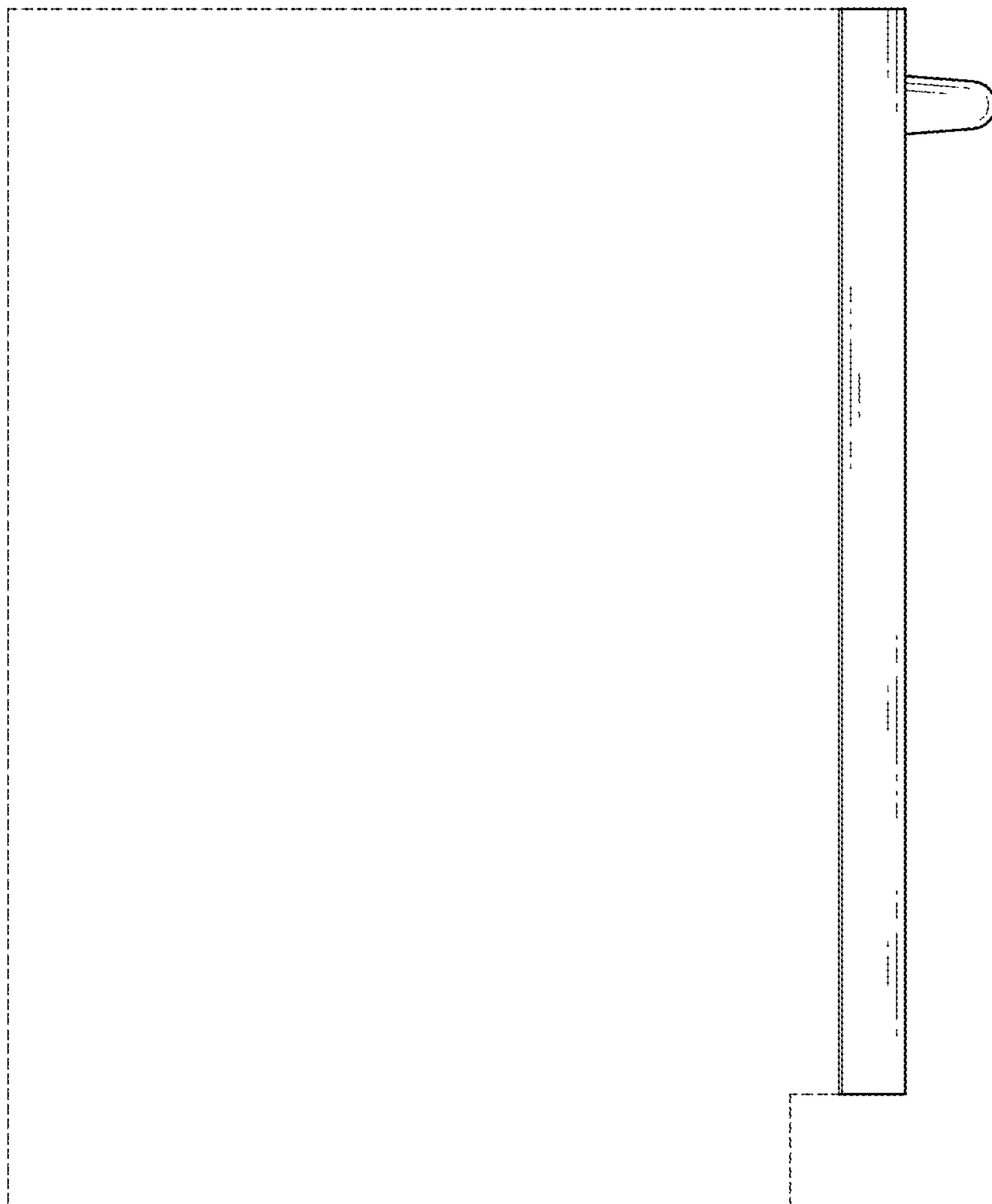


FIG. 5

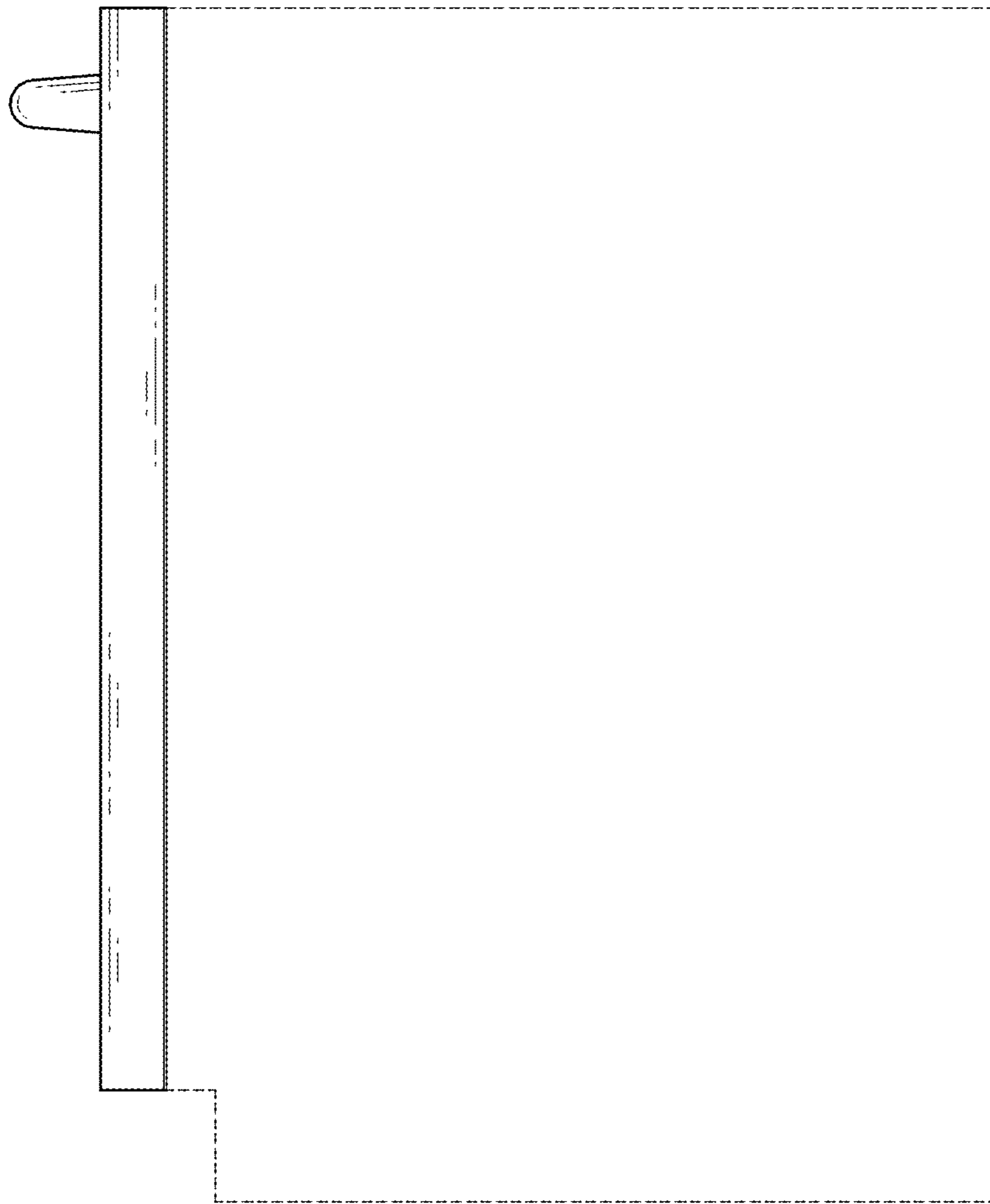


FIG. 6

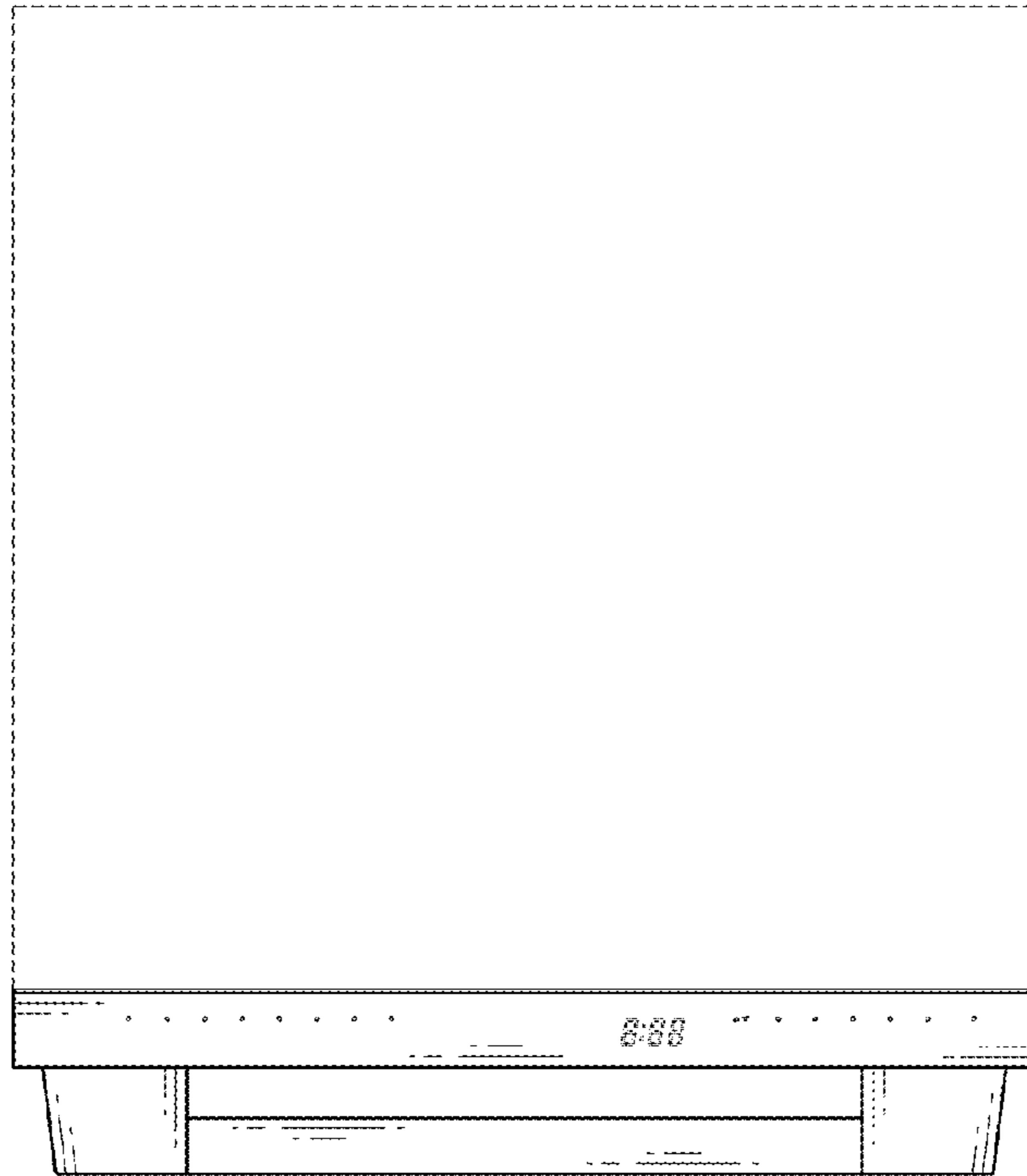


FIG. 7

