

US00D762333S

(12) **United States Design Patent**
Pulliam et al.

(10) **Patent No.:** **US D762,333 S**
(45) **Date of Patent:** **** Jul. 26, 2016**

(54) **ELECTRONIC MODULE FOR A DOG COLLAR**

(71) Applicant: **i4C Innovations Inc.**, Chantilly, VA (US)
(72) Inventors: **Graham Pulliam**, Washington, DC (US); **Jonathan Abarbanel**, Los Angeles, CA (US); **Jeffrey Bentzler**, Playa Del Rey, CA (US); **John Michael Couse**, Toronto (CA); **Emily Hartman**, Purcellville, VA (US); **Stuart Karten**, Venice, CA (US); **Amanda Landis-Hanna**, Fairfax, VA (US); **Frederick Joel Mason**, Haymarket, VA (US); **Jeffrey Noce**, Alexandria, VA (US); **Joe Paul Tupin, Jr.**, Round Hill, VA (US); **Wendy L. Weinberger**, Ashburn, VA (US)

(73) Assignee: **i4c Innovations Inc.**, Chantilly, VA (US)

(**) Term: **15 Years**

(21) Appl. No.: **29/536,436**

(22) Filed: **Aug. 17, 2015**

Related U.S. Application Data

(62) Division of application No. 29/478,142, filed on Dec. 31, 2013.

(51) **LOC (10) Cl.** **30-99**

(52) **U.S. Cl.**
USPC **D30/199**

(58) **Field of Classification Search**
USPC D30/144, 145, 151, 152, 153, 155, 199;
D10/104.1, 104.2

CPC ... A01K 15/00; A01K 15/021; A01K 15/022;
A01K 15/023; A01K 11/006; A01K 27/00;
A01K 27/001; A01K 27/009; A01D 15/04

See application file for complete search history.

(56) **References Cited**

U.S. PATENT DOCUMENTS

2,189,096 A 2/1940 Alonge
2,472,351 A 6/1949 Tyler
3,983,483 A 9/1976 Pando
4,612,719 A 9/1986 de Jong

(Continued)

FOREIGN PATENT DOCUMENTS

EM 000897442-0004 4/2008
EM 001100275-0001 3/2009

(Continued)

OTHER PUBLICATIONS

Dec. 2, 2014 (JP) Notification of Reason for Refusal—App. No. 2014-014368—English translation.

(Continued)

Primary Examiner — Martie K Holtje

(74) *Attorney, Agent, or Firm* — Banner & Witcoff, Ltd.

(57) **CLAIM**

The ornamental design for an electronic module for a dog collar, as shown and described.

DESCRIPTION

FIG. 1 is a front perspective view of an electronic module for a dog collar showing our new design.

FIG. 2 is a front view thereof;

FIG. 3 is a rear view thereof;

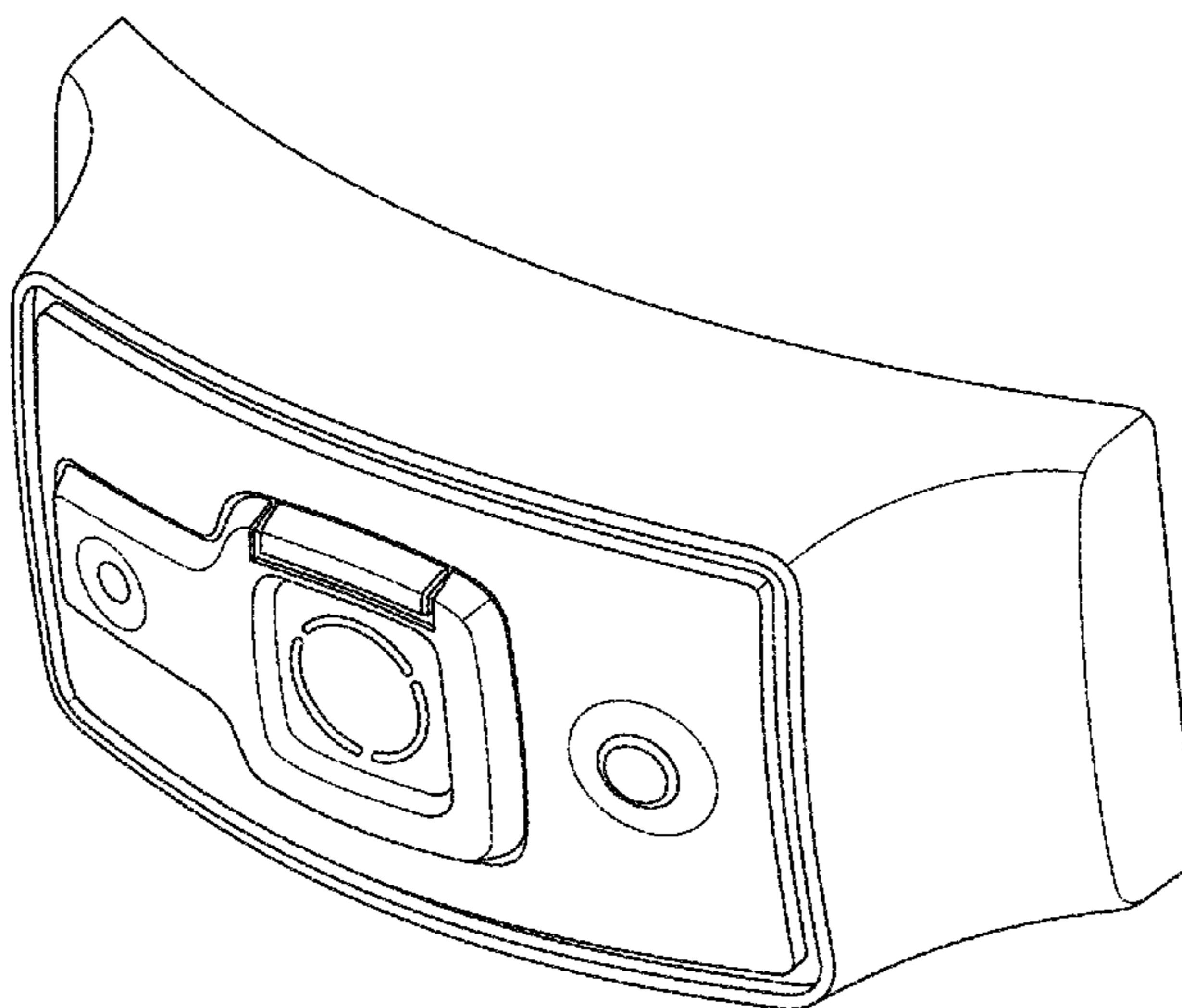
FIG. 4 is a right side view thereof;

FIG. 5 is a left side view thereof;

FIG. 6 is a top view thereof; and,

FIG. 7 is a bottom view thereof.

1 Claim, 4 Drawing Sheets



(56)

References Cited

U.S. PATENT DOCUMENTS

4,748,938 A 6/1988 Owen
 D306,504 S 3/1990 Young
 5,046,453 A 9/1991 Vinci
 5,617,814 A 4/1997 Bianco et al.
 D410,206 S * 5/1999 Slater D10/104.1
 5,899,370 A 5/1999 Bould
 5,952,925 A 9/1999 Secker
 6,079,367 A 6/2000 Stapelfeld et al.
 D439,708 S 3/2001 Jenkins
 6,830,014 B1 12/2004 Lalor
 D523,369 S 6/2006 Jacober et al.
 D523,998 S 6/2006 Nottingham et al.
 D545,220 S 6/2007 Leung
 7,249,572 B2 * 7/2007 Goetzl A01K 27/009
 119/719
 D553,037 S * 10/2007 Zakharyan D30/152
 7,382,328 B2 6/2008 Lee, IV et al.
 7,574,979 B2 8/2009 Nottingham et al.
 7,644,685 B2 1/2010 Groh et al.
 7,771,112 B2 8/2010 Morgan
 7,996,983 B2 8/2011 Lee, IV et al.
 8,011,327 B2 9/2011 Mainini et al.
 D660,185 S 5/2012 Schrepfer
 D661,846 S 6/2012 Miller et al.
 D665,952 S 8/2012 Guo
 D666,367 S 8/2012 Miller et al.
 D673,334 S 12/2012 Guo
 8,345,414 B2 1/2013 Mooring et al.
 8,543,134 B2 * 9/2013 Lopez A01K 15/021
 455/411
 D734,900 S * 7/2015 Pulliam D30/152
 2002/0050250 A1 * 5/2002 Peterson A01K 15/023
 119/721
 2003/0122678 A1 7/2003 Duncan et al.
 2005/0211187 A1 9/2005 Harman et al.
 2006/0169222 A1 8/2006 Gerig
 2007/0204810 A1 9/2007 Nottingham et al.
 2007/0209604 A1 9/2007 Groh et al.
 2007/0222624 A1 9/2007 Eicken et al.
 2007/0227465 A1 10/2007 Gerig et al.

2009/0289844 A1 11/2009 Palsgrove et al.
 2010/0050955 A1 3/2010 Pacheco et al.
 2011/0061605 A1 * 3/2011 Hardi A01K 15/021
 119/721
 2011/0094454 A1 * 4/2011 Won A01K 15/021
 119/720
 2011/0232585 A1 9/2011 Rich et al.
 2013/0002720 A1 1/2013 Chang
 2013/0233252 A1 9/2013 Bellon et al.

FOREIGN PATENT DOCUMENTS

EM 002019786-0001 4/2012
 EM 002106427-0001 10/2012
 EM 002115923-0001 10/2012
 EM 002283119-0001 8/2013
 EM 002283119-0002 8/2013
 EM 002283119-0003 8/2013
 EM 002283119-0004 8/2013
 EM 002283119-0005 8/2013
 JP 2005287708 A 10/2005
 JP 2006280966 A 10/2006
 JP 2011062112 A 3/2011
 WO 2011121753 A1 10/2011

OTHER PUBLICATIONS

Dec. 2, 2014 (JP) Notification of Reason for Refusal—App. No. 2014-014369—English translation.
 Dec. 2, 2014 (JP) Notification of Reason for Refusal—App. No. 2014-014370—English translation.
 Dec. 2, 2014 (JP) Notification of Reason for Refusal—App. No. 2014-014371—English translation.
 Jan. 16, 2015 (CA) Examiner's Report—App. 157458.
 Jan. 16, 2015 (CA) Examiner's Report—App. 157459.
 Jan. 16, 2015 (CA) Examiner's Report—App. 157460.
 Feb. 24, 2015 (KR) Examiner's Report—App. 30-2014-0031953.
 Feb. 24, 2015 (KR) Examiner's Report—App. 30-2014-0031954.
 Feb. 24, 2015 (KR) Examiner's Report—App. 30-2014-0031955.
 Feb. 24, 2015 (KR) Examiner's Report—App. 30-2014-0031957.

* cited by examiner

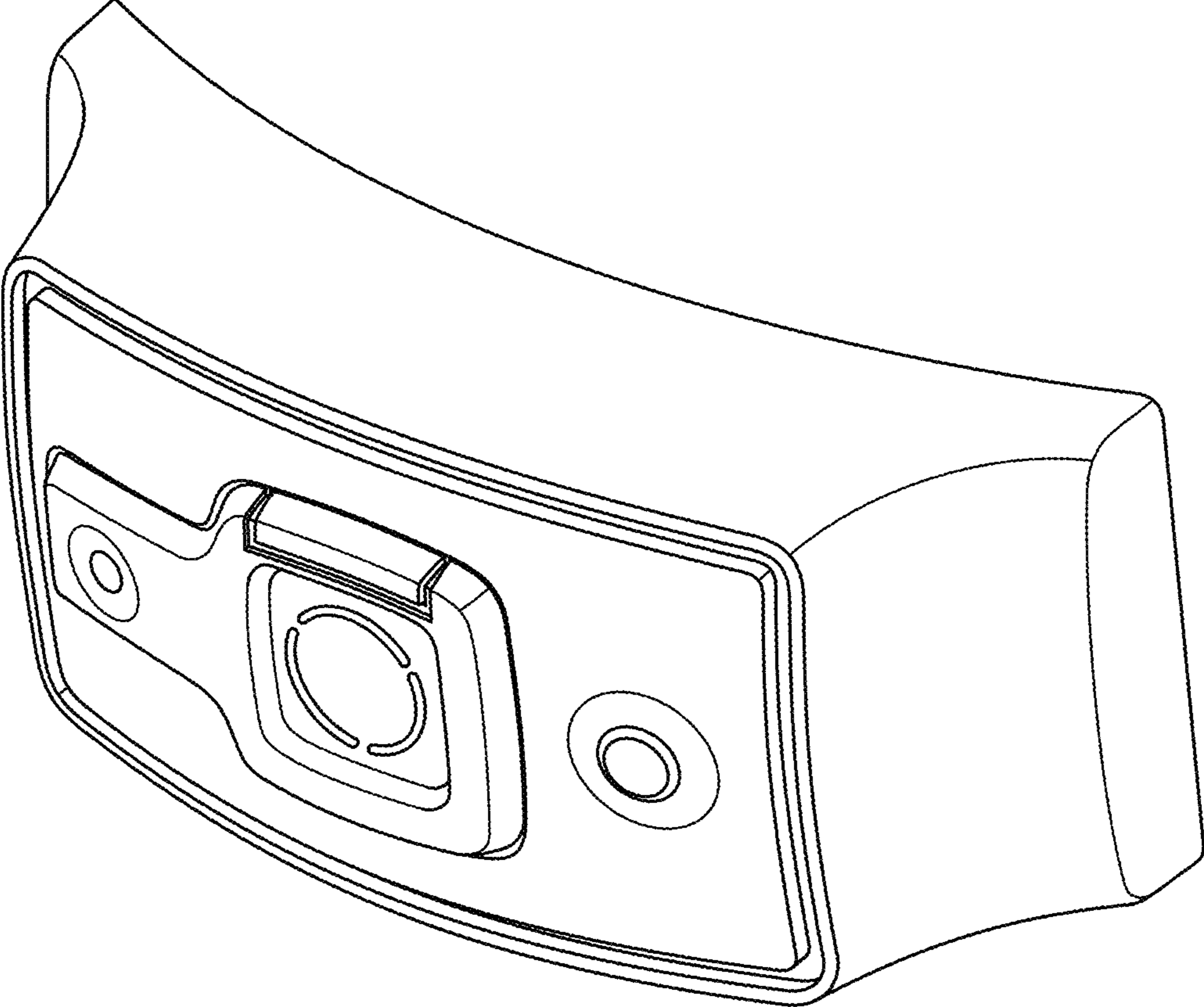


Figure 1

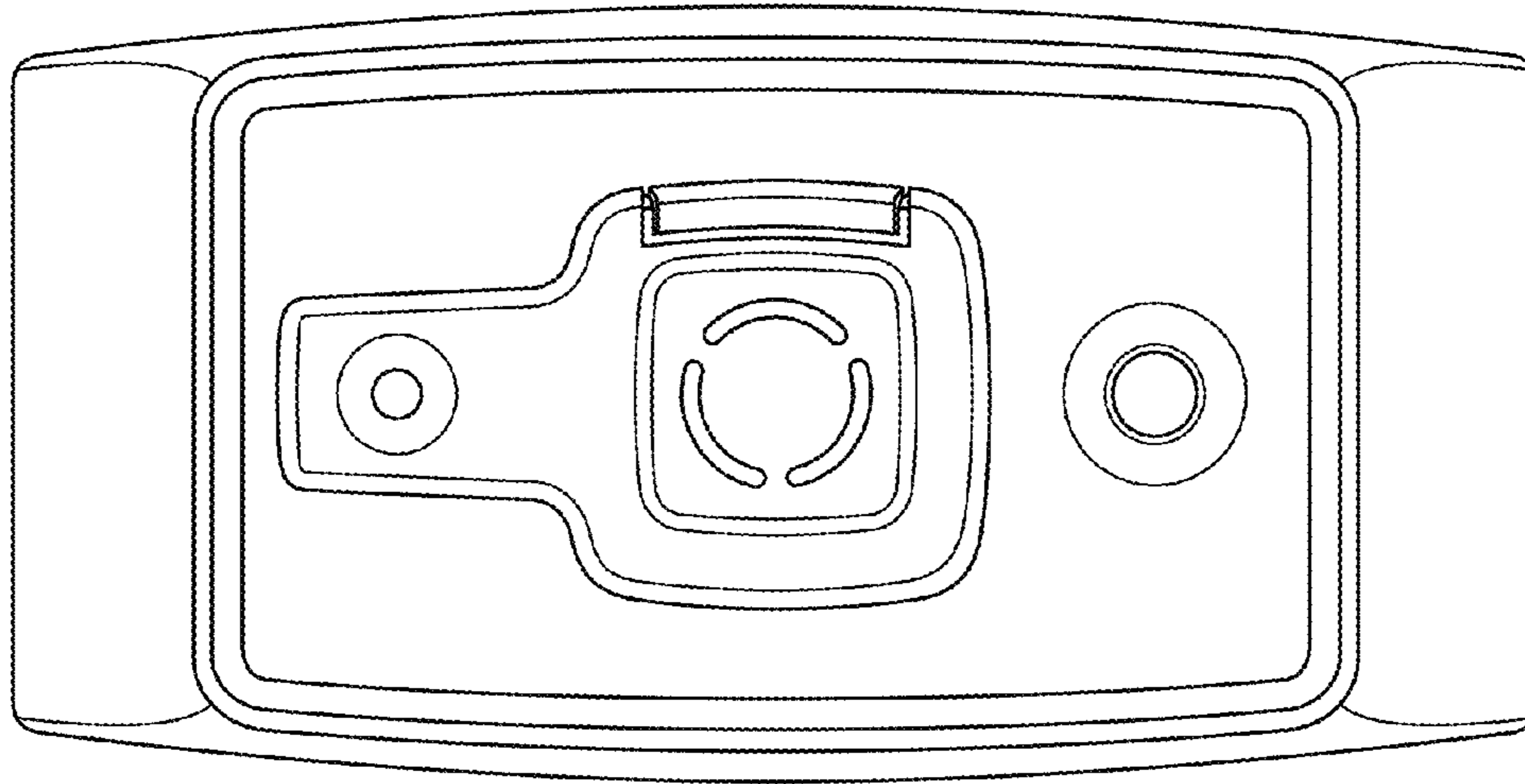


Figure 2

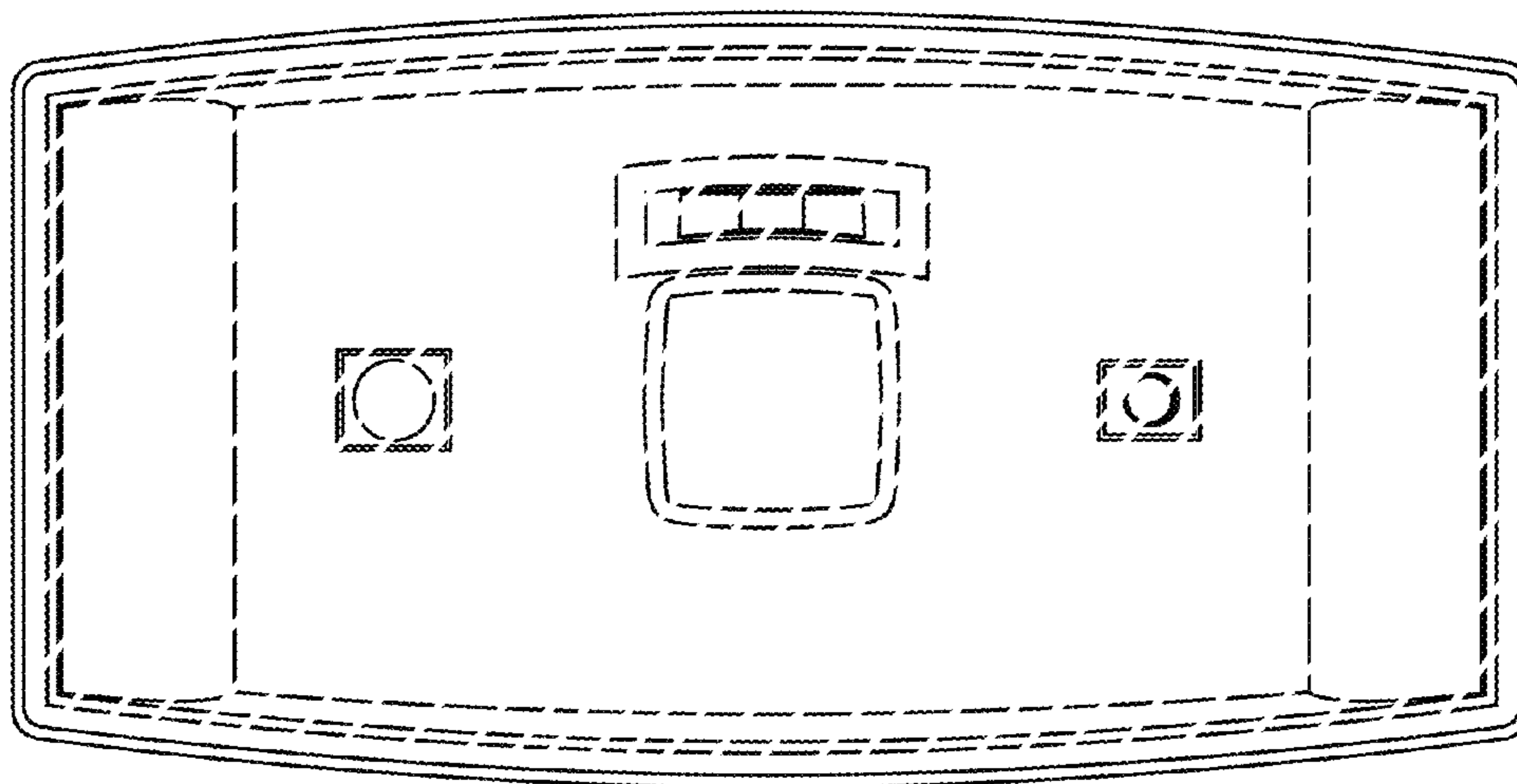


Figure 3

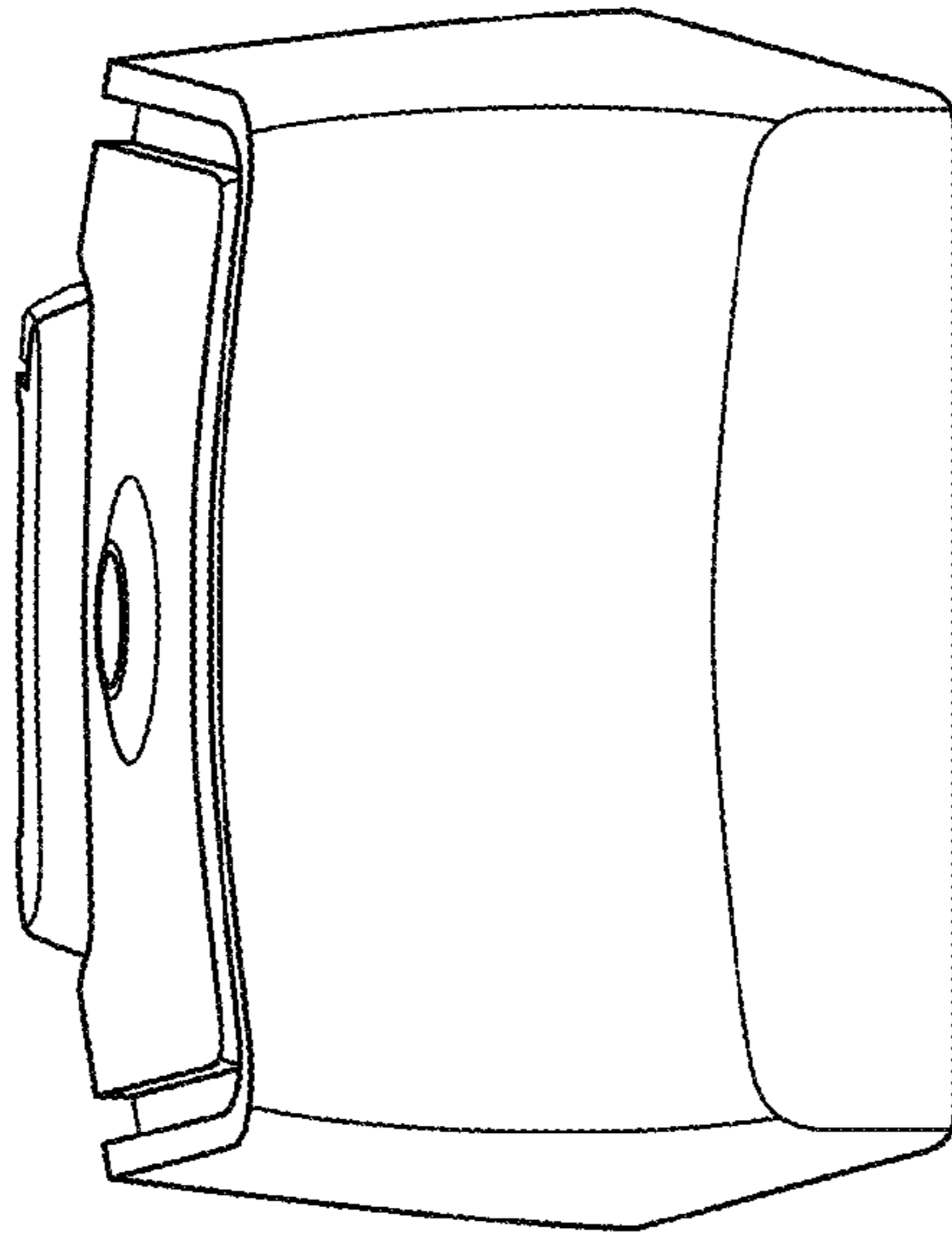


Figure 4

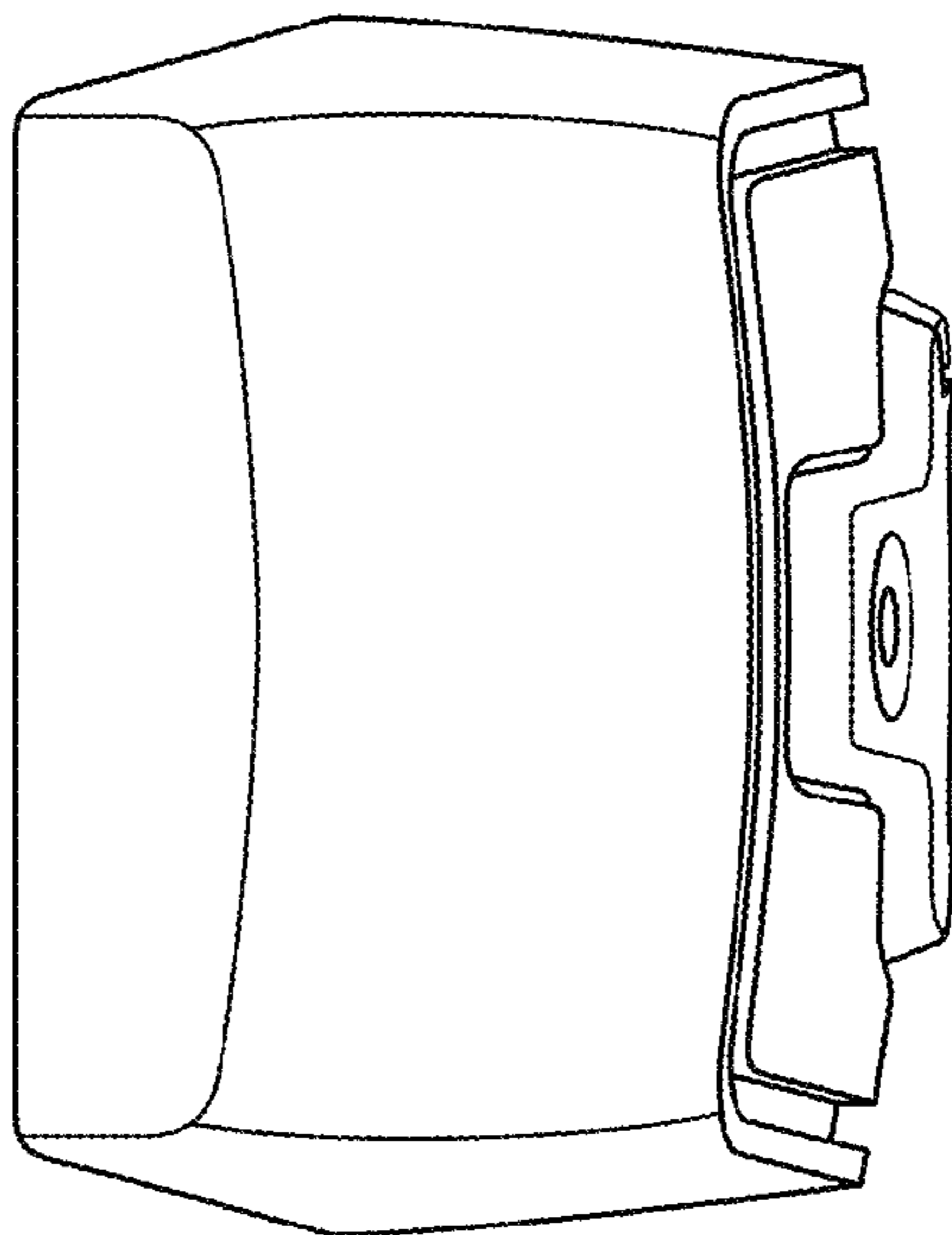


Figure 5

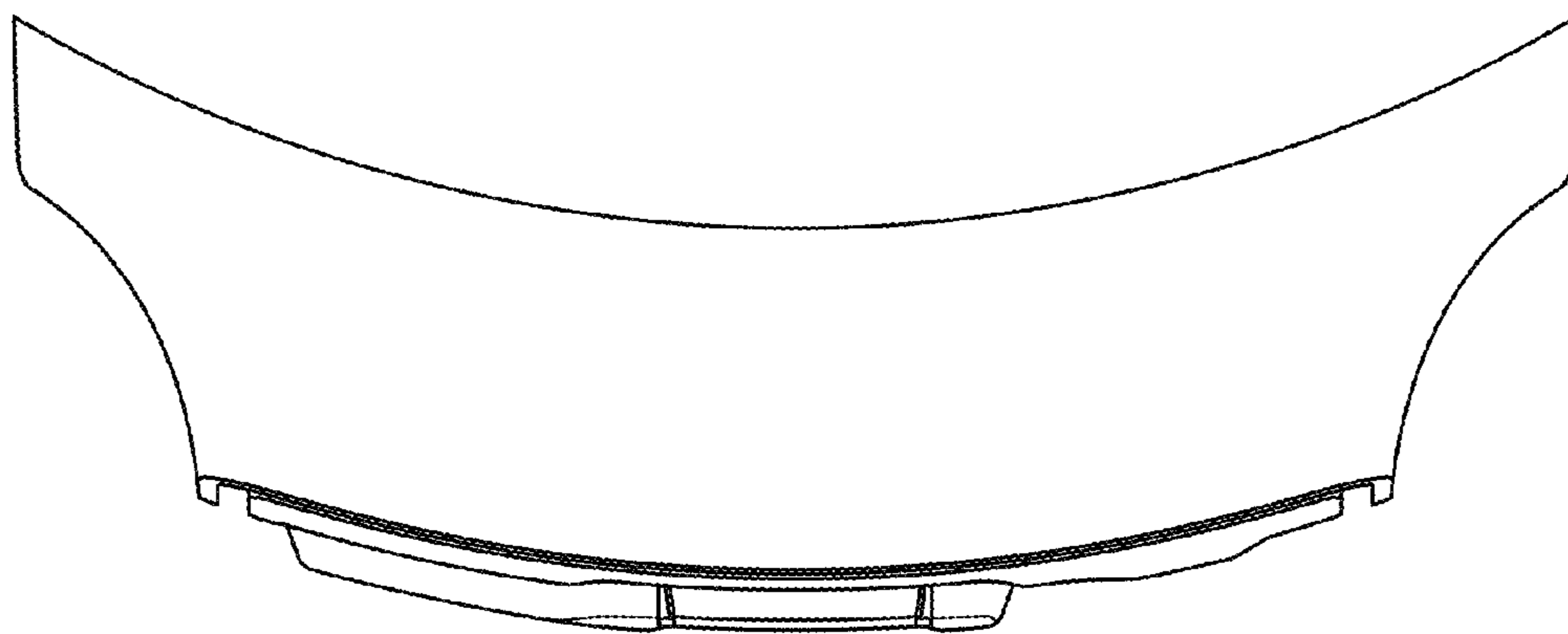


Figure 6

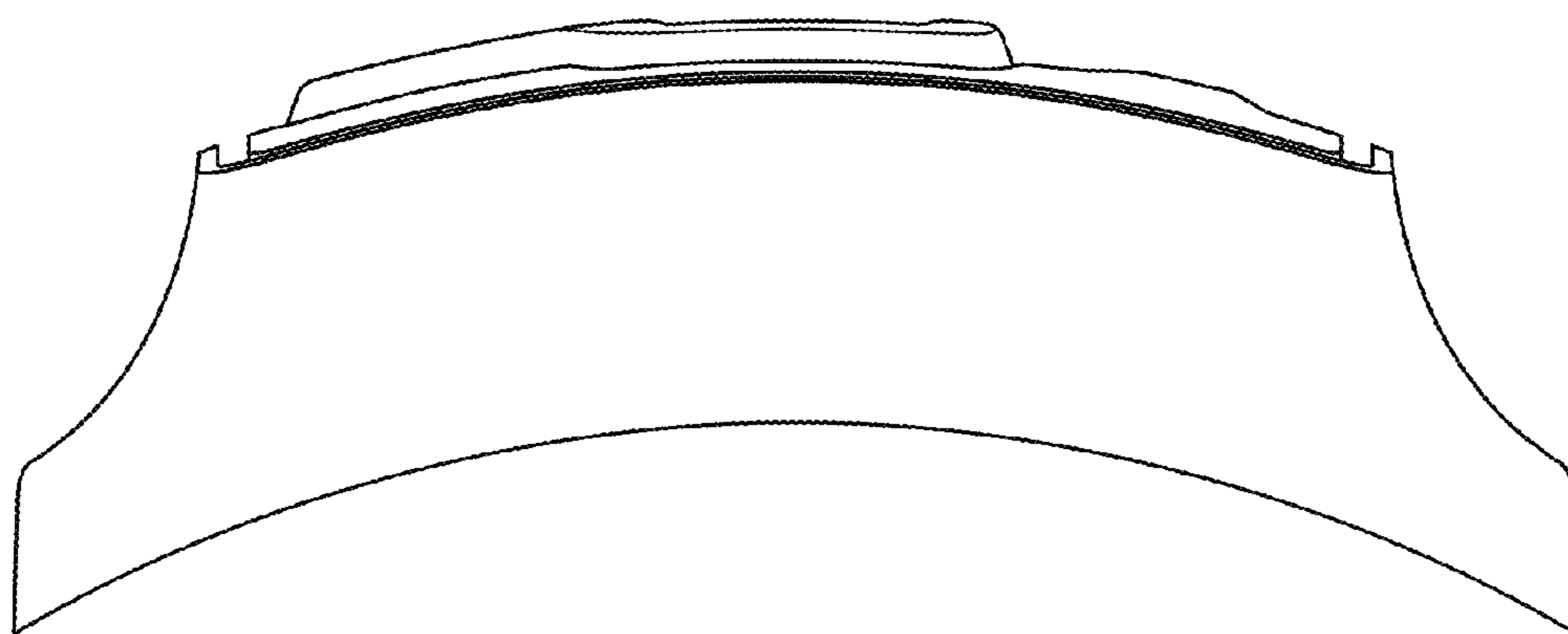


Figure 7