



US00D762332S

(12) **United States Design Patent**  
**Chance et al.**

(10) **Patent No.:** **US D762,332 S**  
(45) **Date of Patent:** **\*\* Jul. 26, 2016**

- (54) **PET CARRIER VENT PANEL**
- (71) Applicant: **Stout Stuff, LLC**, Bentonville, AR (US)
- (72) Inventors: **Christopher E. Chance**, Bella Vista, AR (US); **Thomas Lawson**, Rogers, AR (US); **Andrew Bojie**, Centerton, AR (US); **Jake Mackenzie Houser**, Bentonville, AR (US); **Timothy Hart**, Rogers, AR (US)
- (73) Assignee: **Stout Stuff, LLC**, Bentonville, AR (US)
- (\*\*) Term: **14 Years**
- (21) Appl. No.: **29/489,083**
- (22) Filed: **Apr. 25, 2014**

**Related U.S. Application Data**

- (63) Continuation-in-part of application No. 29/444,587, filed on Jan. 31, 2013, now Pat. No. Des. 713,099, which is a continuation-in-part of application No. 29/444,592, filed on Jan. 31, 2013, now Pat. No. Des. 703,876.
- (51) **LOC (10) Cl.** ..... **30-02**
- (52) **U.S. Cl.**  
USPC ..... **D30/119; D30/108**
- (58) **Field of Classification Search**  
USPC ..... D30/108–109, 112–117, 119;  
119/428–429, 430–436, 445, 452–453,  
119/455, 459, 467, 472, 474–475, 481–482,  
119/484, 496–503, 512  
CPC ..... A01K 1/00; A01K 1/01; A01K 1/02;  
A01K 1/03; A01K 31/00; A01K 31/06;  
A01K 31/07; A01K 31/08; A01K 31/14;  
A01K 31/18; A01K 5/00; A01K 29/00;  
A47K 11/02; E04H 1/02  
See application file for complete search history.

(56) **References Cited**

U.S. PATENT DOCUMENTS

3,490,417 A	1/1970	Swinney	
3,522,904 A *	8/1970	Locke	..... A01K 1/0245 119/497

(Continued)

OTHER PUBLICATIONS

<https://web.archive.org/web/20121116063034/http://petchampion.com/dogs/kennels-and-carriers/>; Pet Kennels; earliest date archived with Wayback Machine Nov. 16, 2012.\*

*Primary Examiner* — Cathy Anne MacCormac

(74) *Attorney, Agent, or Firm* — Thomas J. Oppold; Larkin Hoffman Daly & Lindgren, Ltd.

(57) **CLAIM**

The ornamental design for a pet carrier vent panel, as shown and described.

**DESCRIPTION**

FIG. 1 is a perspective view of the pet carrier vent panel of the present design.

FIG. 2 is a partial enlarged perspective view of a portion of FIG. 1.

FIG. 3 is a front elevation view of the pet carrier vent panel of the present design; and,

FIG. 4 is a partial enlarged front elevation view of a portion of FIG. 3.

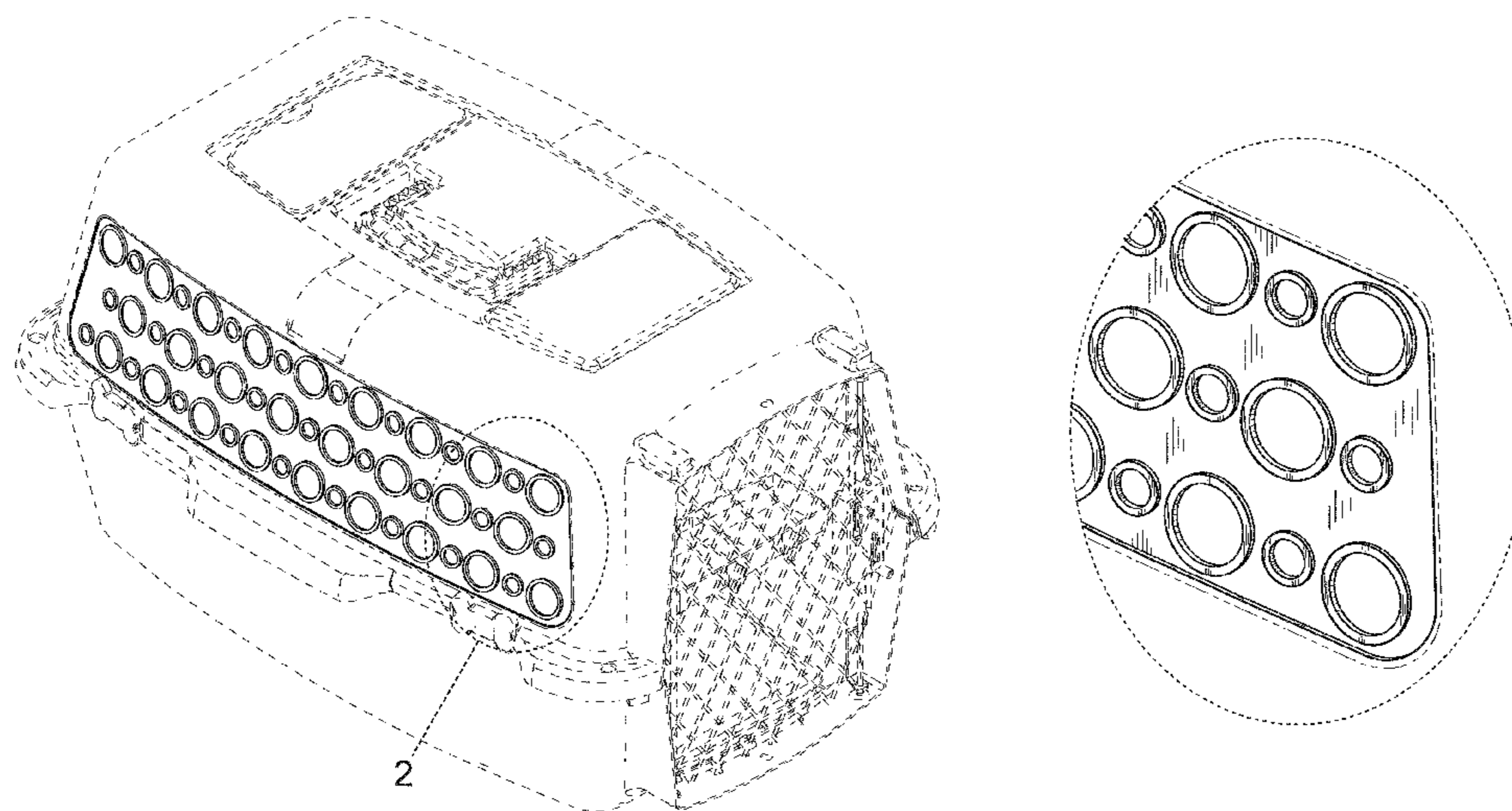
The broken lines showing the pet carrier in FIG. 1 depict environmental subject matter, are for illustration only and form no part of the claimed design.

The dot-dot-dash line in FIGS. 2, 3 and 4 around the periphery of the pet carrier vent panel defines the boundary between the claimed and non-claimed subject matter.

The dotted lines encircling the portion of the pet carrier vent panel and the arrows in FIGS. 1 and 3 are for the purpose of identifying the partial portions of the pet carrier vent panel which are shown in the enlarged views of FIGS. 2 and 4, respectively, and form no part of the claimed design.

The circles within the pet carrier vent panel are apertures.

**1 Claim, 2 Drawing Sheets**



(56)

**References Cited**

U.S. PATENT DOCUMENTS

3,834,352 A *	9/1974	Gervis .....	A01K 31/07	6,427,631 B1	8/2002	Ross	
			119/453	D470,628 S	2/2003	Kinder et al.	
4,010,888 A *	3/1977	Gilbert .....	B65D 5/4295	D471,676 S	3/2003	Kinder et al.	
			119/454	6,571,740 B1	6/2003	Kinder et al.	
D294,985 S *	3/1988	Blieden .....	D30/109	D545,004 S	6/2007	Harper et al.	
4,852,520 A	8/1989	Goetz		D545,507 S	6/2007	Harper et al.	
D308,429 S	6/1990	Van Skiver		D546,005 S	7/2007	Harper et al.	
D312,333 S	11/1990	Van Skiver		D551,399 S	9/2007	Harper et al.	
D314,251 S	1/1991	Van Skiver		D555,292 S	11/2007	Harper et al.	
5,016,570 A	5/1991	Henson		D566,907 S	4/2008	Barca	
5,253,612 A	10/1993	Goetz		D571,054 S	6/2008	Donnelly	
5,307,758 A	5/1994	Ho		D575,907 S	8/2008	Roderman et al.	
D367,732 S	3/1996	Murphy et al.		D678,623 S	3/2013	Iranyi et al.	
5,701,843 A	12/1997	Lazides		D680,696 S	4/2013	Hammel	
				D735,952 S *	8/2015	Otto .....	D30/108
				2011/0041774 A1	2/2011	Northrop et al.	

\* cited by examiner



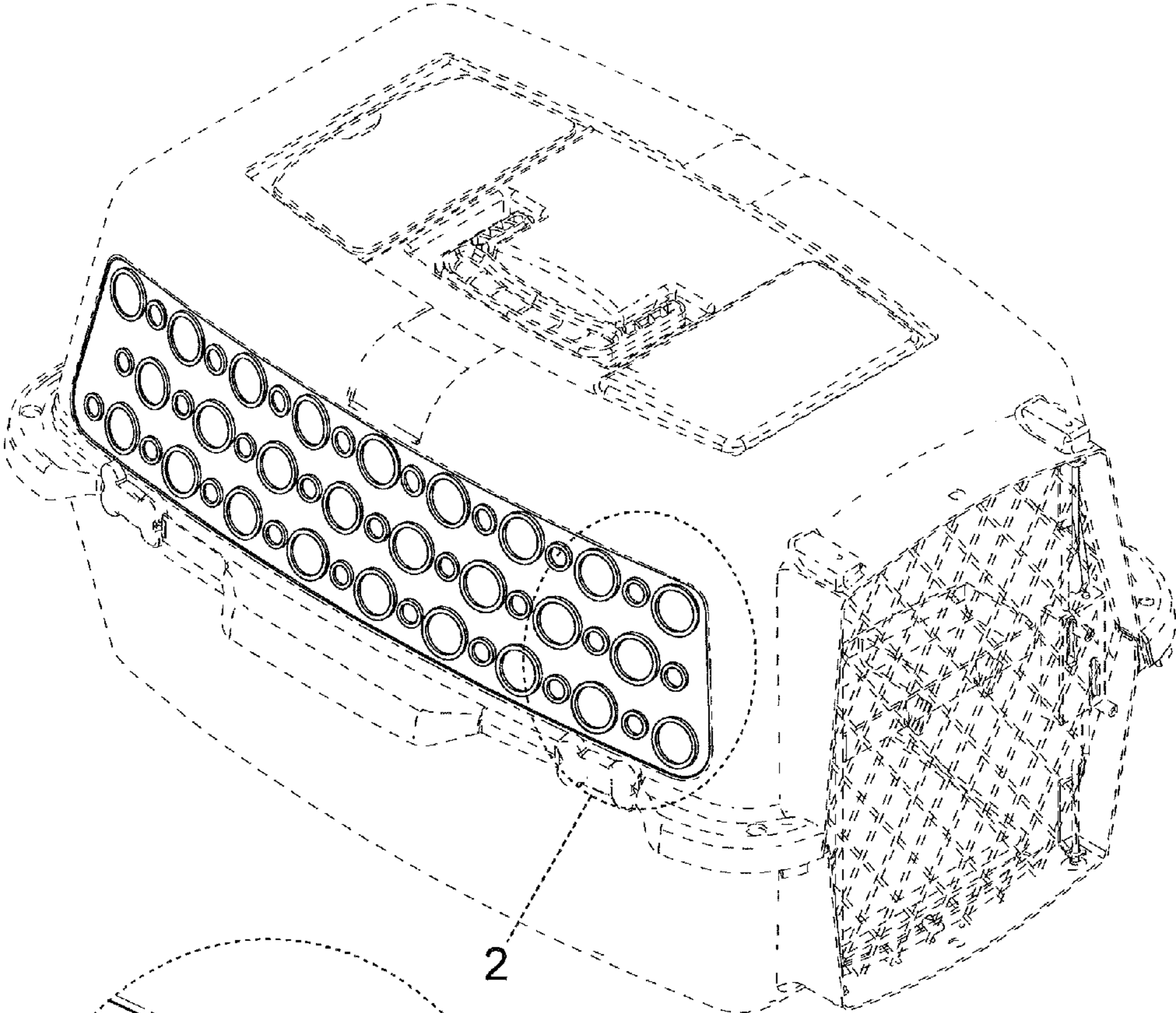


FIG. 1

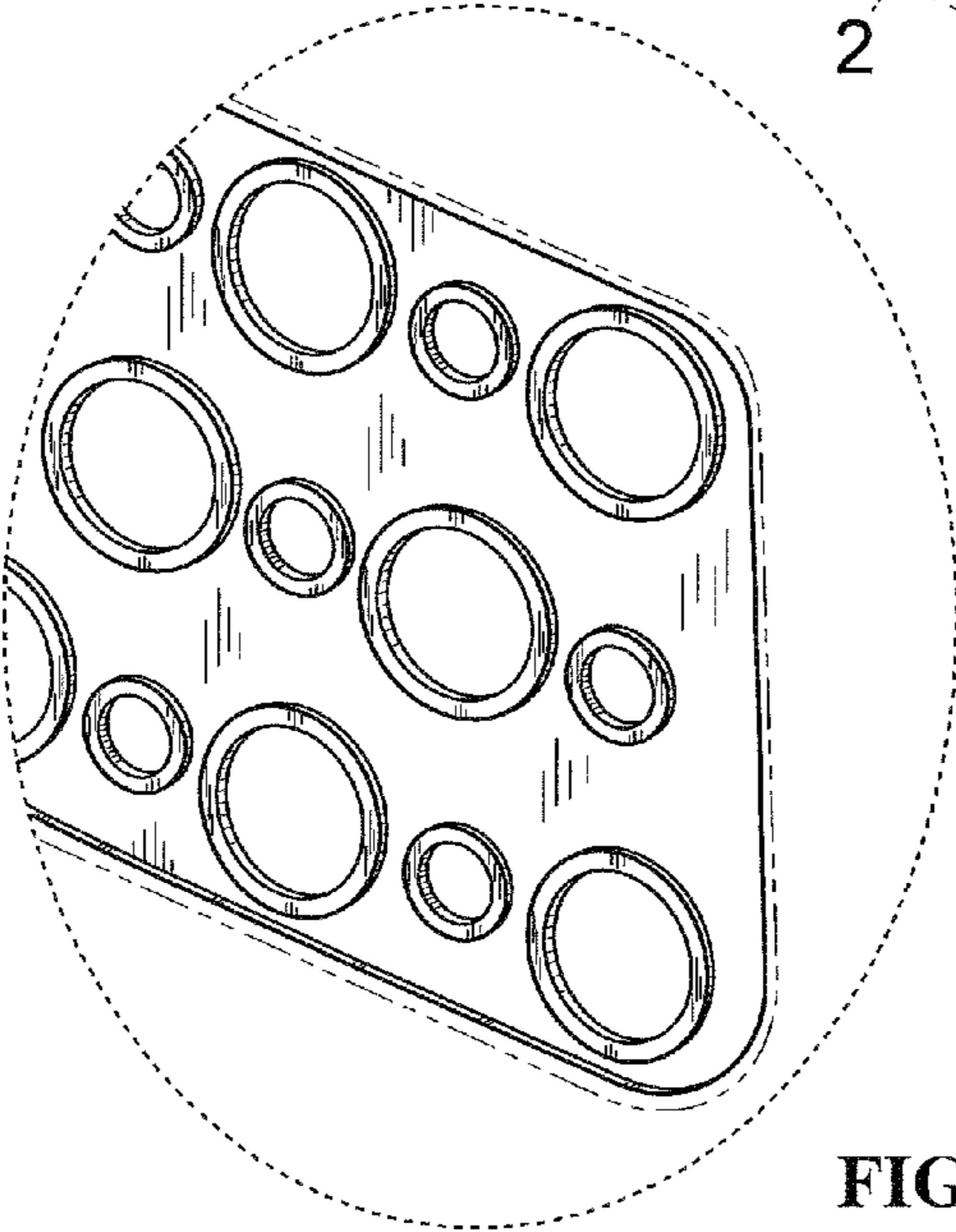


FIG. 2

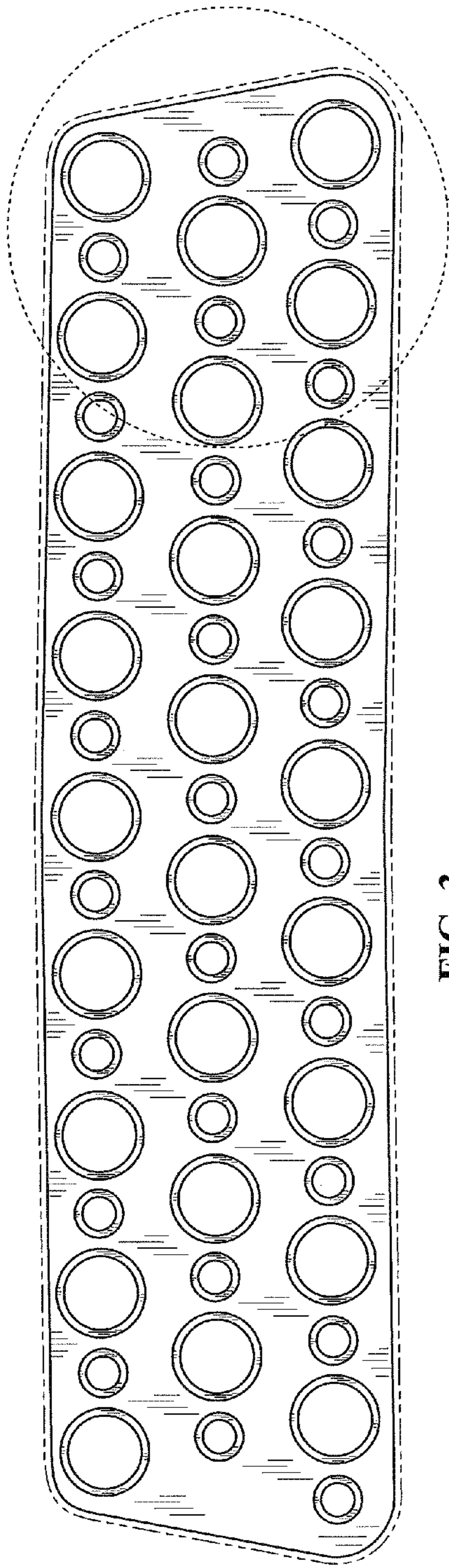


FIG. 3

4

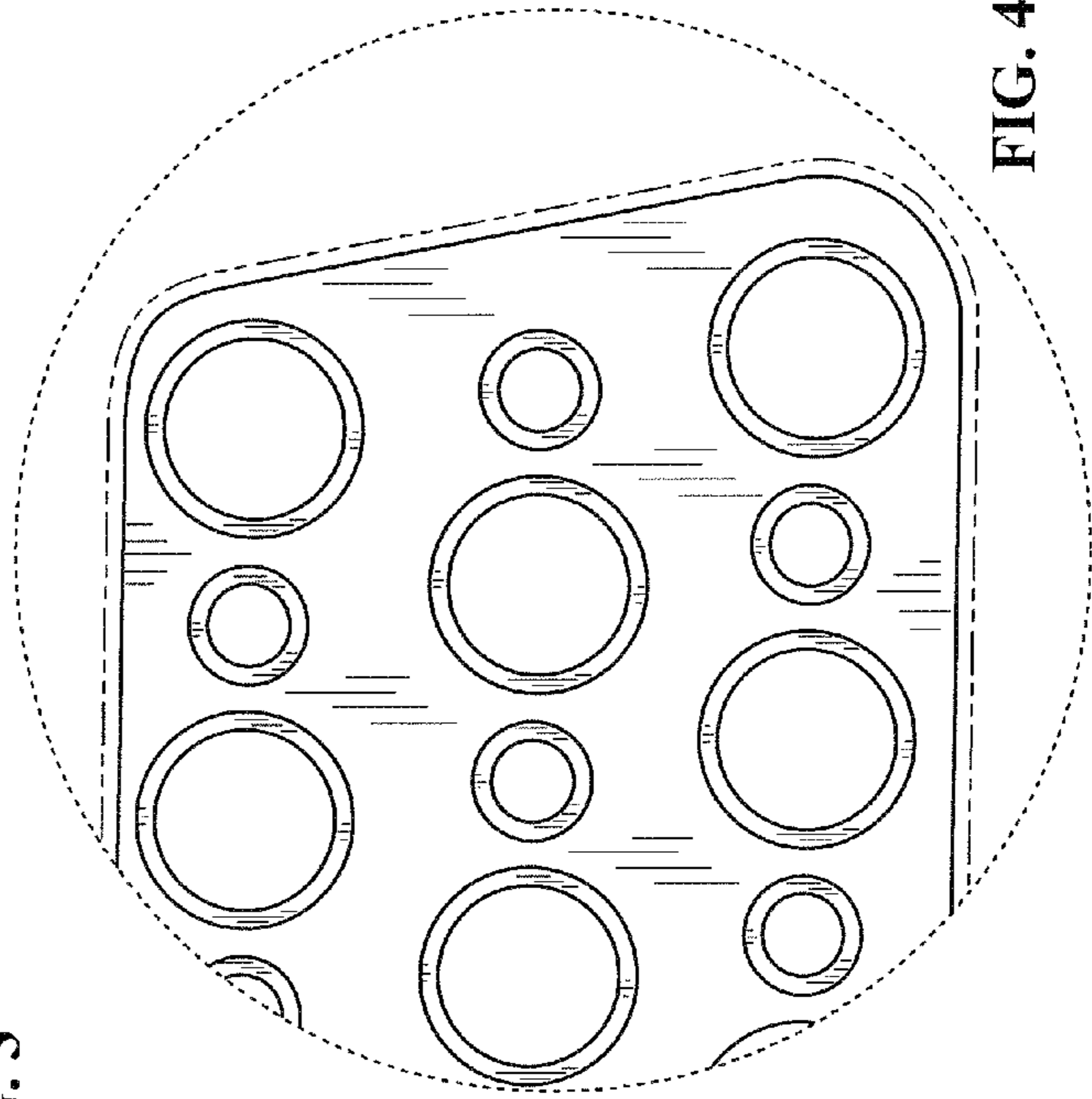


FIG. 4