

US00D762328S

(12) **United States Design Patent**  
**Hegemann**

(10) **Patent No.:** **US D762,328 S**  
(45) **Date of Patent:** **\*\* Jul. 26, 2016**

- (54) **CURVED SHAVER CARTRIDGE**
- (71) Applicant: **Future Wave Products, Inc.**, Escondido, CA (US)
- (72) Inventor: **Kenneth J. Hegemann**, Escondido, CA (US)
- (\*\*) Term: **14 Years**
- (21) Appl. No.: **29/497,397**
- (22) Filed: **Jul. 23, 2014**

4,974,319 A	12/1990	Maguire, Jr. et al.
4,980,974 A	1/1991	Radcliffe
4,993,154 A	2/1991	Radcliffe
5,199,173 A	4/1993	Hegemann
5,331,740 A	7/1994	Carson, III et al.
5,501,014 A	3/1996	Hegemann
D378,147 S	2/1997	Hegemann
D407,529 S *	3/1999	May ..... D28/46
5,979,056 A *	11/1999	Andrews ..... B26B 21/00 30/356
D423,143 S *	4/2000	Cowell ..... D28/46
6,145,201 A *	11/2000	Andrews ..... B26B 21/22 30/34.05
6,216,345 B1 *	4/2001	Andrews ..... B26B 21/22 30/34.05

**Related U.S. Application Data**

- (63) Continuation of application No. 29/449,907, filed on Mar. 15, 2013, now abandoned.
- (51) **LOC (10) Cl.** ..... **28-03**
- (52) **U.S. Cl.**  
USPC ..... **D28/47**
- (58) **Field of Classification Search**  
USPC ..... D28/44-48  
CPC ..... B26B 21/00-21/06; B26B 21/08-21/38;  
B26B 21/40; B26B 21/52-21/60  
See application file for complete search history.

**FOREIGN PATENT DOCUMENTS**

GB	426651 A	4/1935
GB	2244668 A	12/1991

\* cited by examiner

*Primary Examiner* — Jennifer Rivard  
(74) *Attorney, Agent, or Firm* — Peter B. Scull; Hamilton, DeSanctis & Cha, LLP

(57) **CLAIM**

The ornamental design for a curved shaver cartridge, as shown and described.

(56) **References Cited**

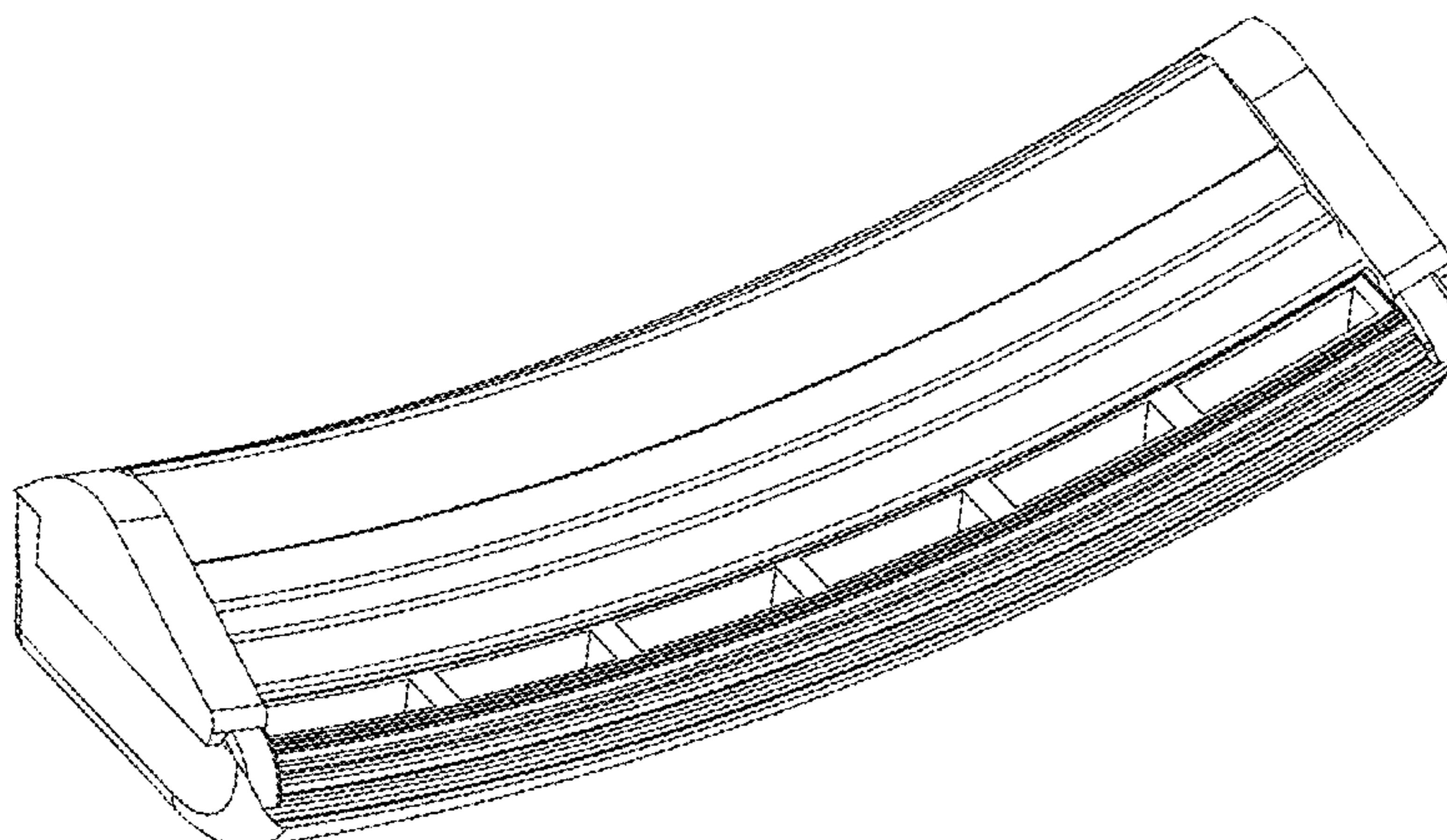
**U.S. PATENT DOCUMENTS**

672,983 A	4/1901	Kampfe
1,040,347 A	10/1912	Kampfe
1,742,330 A	1/1930	Valet
1,821,825 A *	9/1931	Zumwalt ..... B26B 21/18 30/27
3,407,496 A	10/1968	Pomper
3,938,250 A	2/1976	Perry
4,163,316 A	8/1979	Hagmann et al.
D258,016 S	1/1981	Pace
4,411,065 A	10/1983	Trotta
4,459,744 A *	7/1984	Esnard ..... B26B 21/14 30/346.5
D282,878 S	3/1986	Skidmore

**DESCRIPTION**

FIG. 1 is an isometric view showing the top, front and left sides of a curved shaver cartridge hereof;  
FIG. 2 is a front elevation view of FIG. 1;  
FIG. 3 is a bottom plan view of FIG. 1;  
FIG. 4 is an isometric view showing the bottom and right sides of a curved shaver cartridge;  
FIG. 5 is a right side view of FIG. 1; and,  
FIG. 6 is a left side view of FIG. 1.  
The broken lines illustrate portions of the curved shaver cartridge and form no part of the claimed design.

**1 Claim, 5 Drawing Sheets**



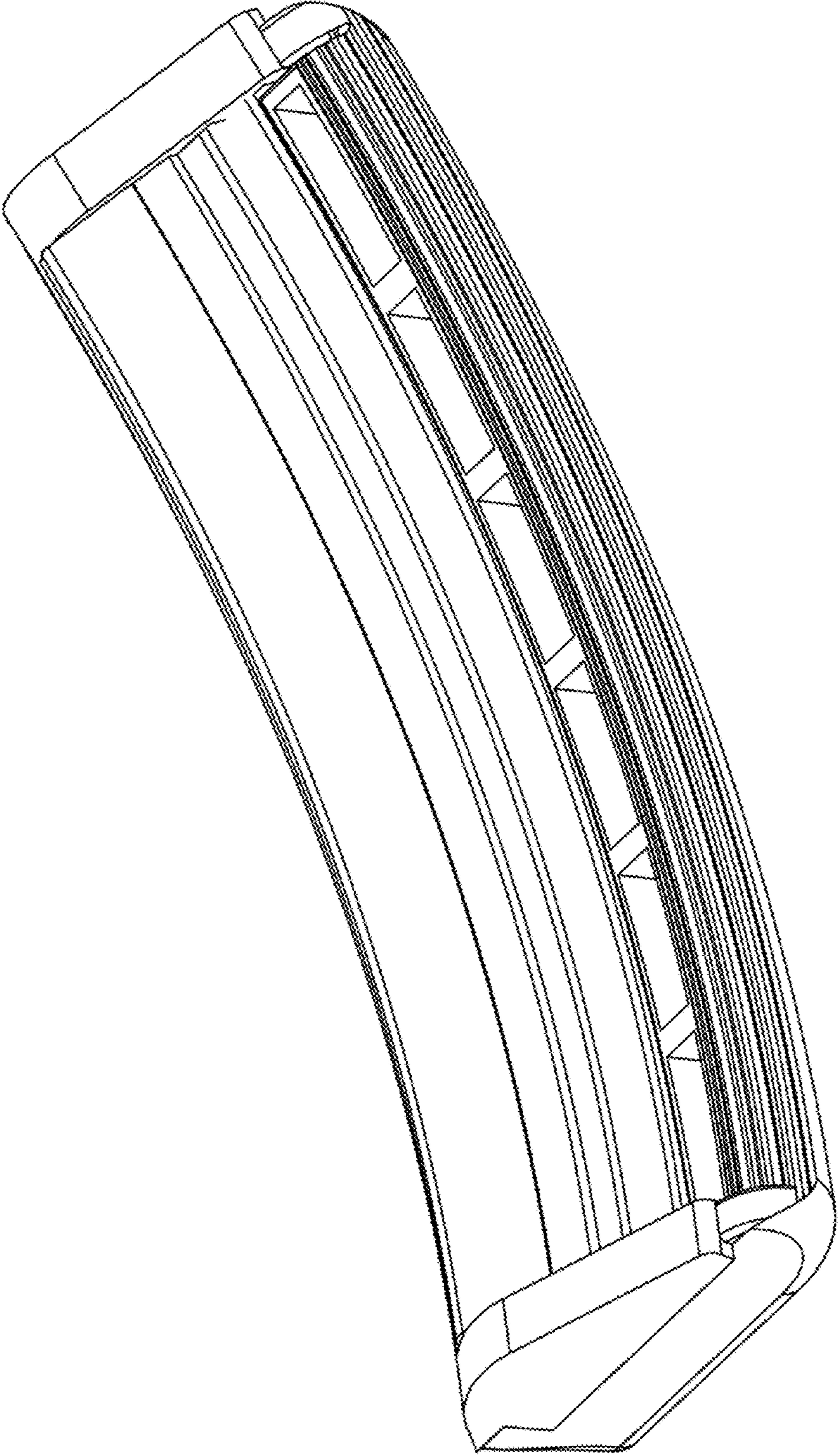


FIG. 1

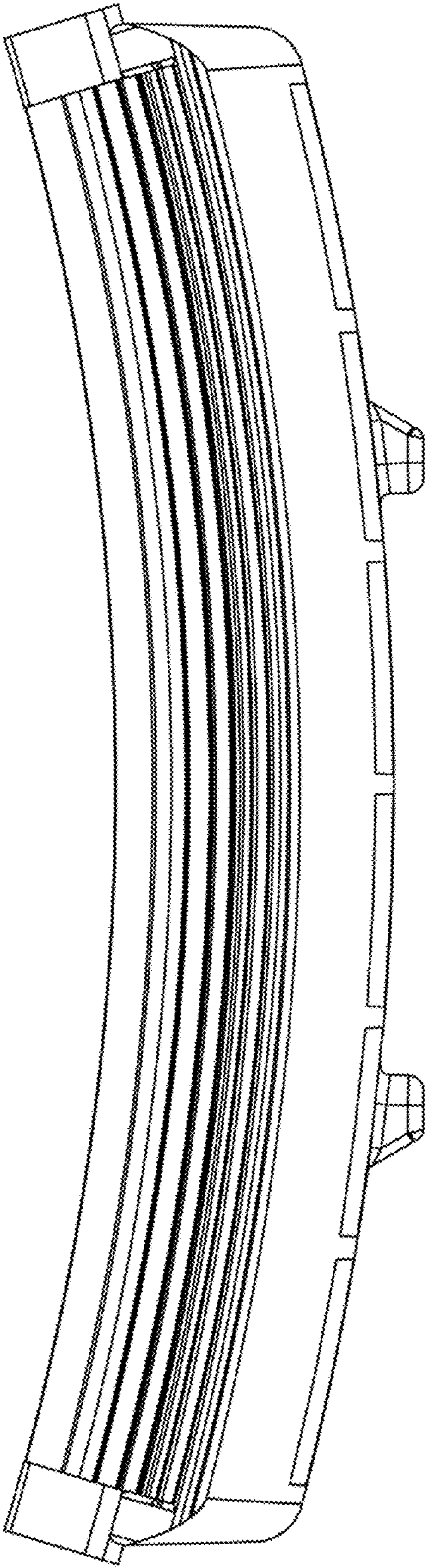


FIG. 2

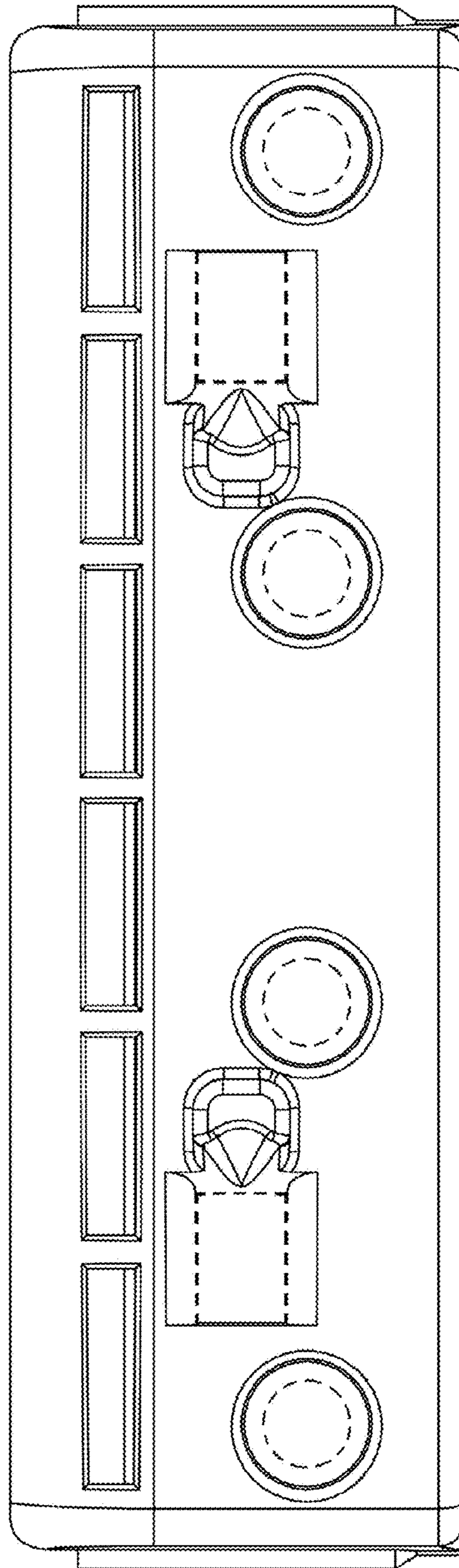


FIG. 3

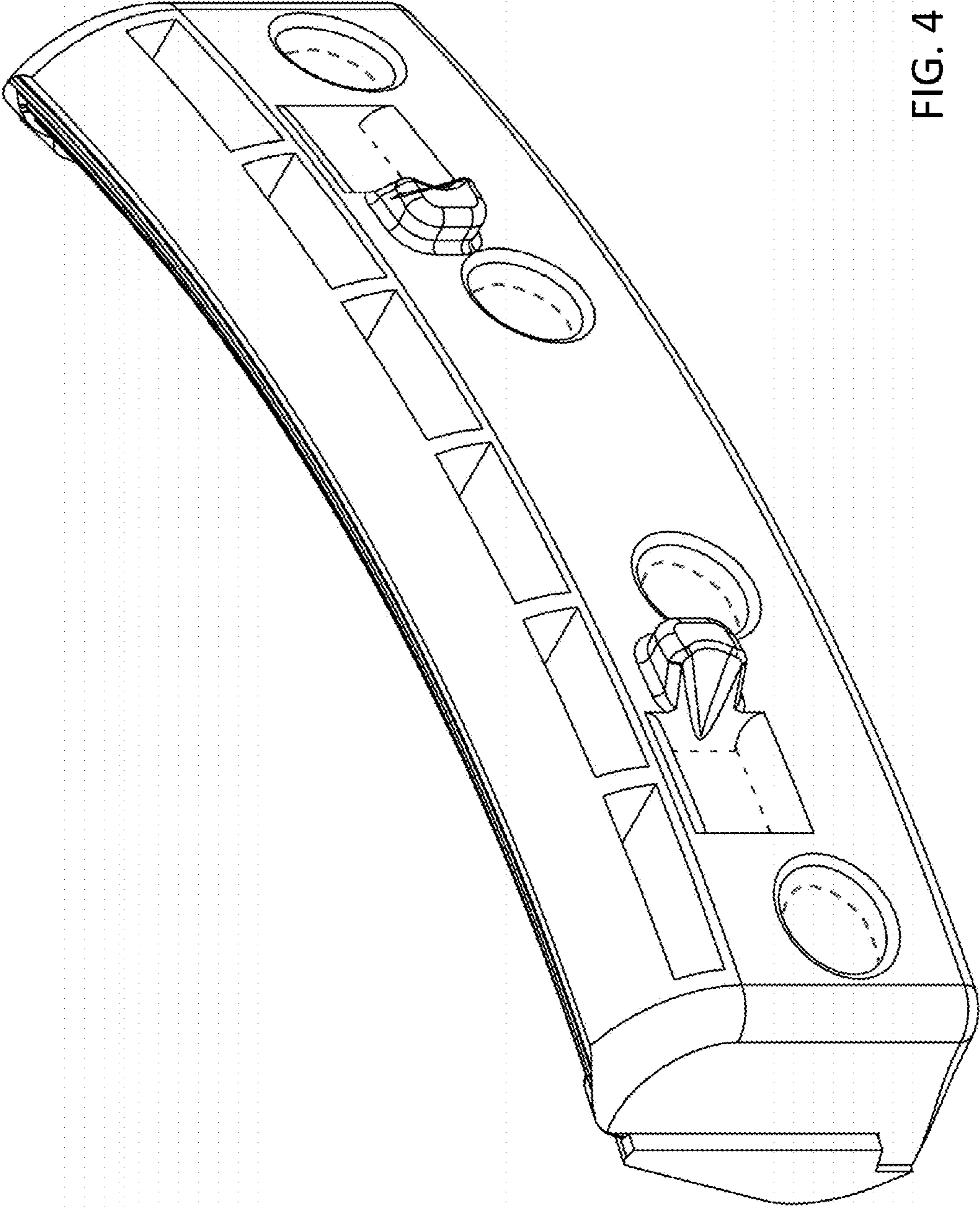


FIG. 4

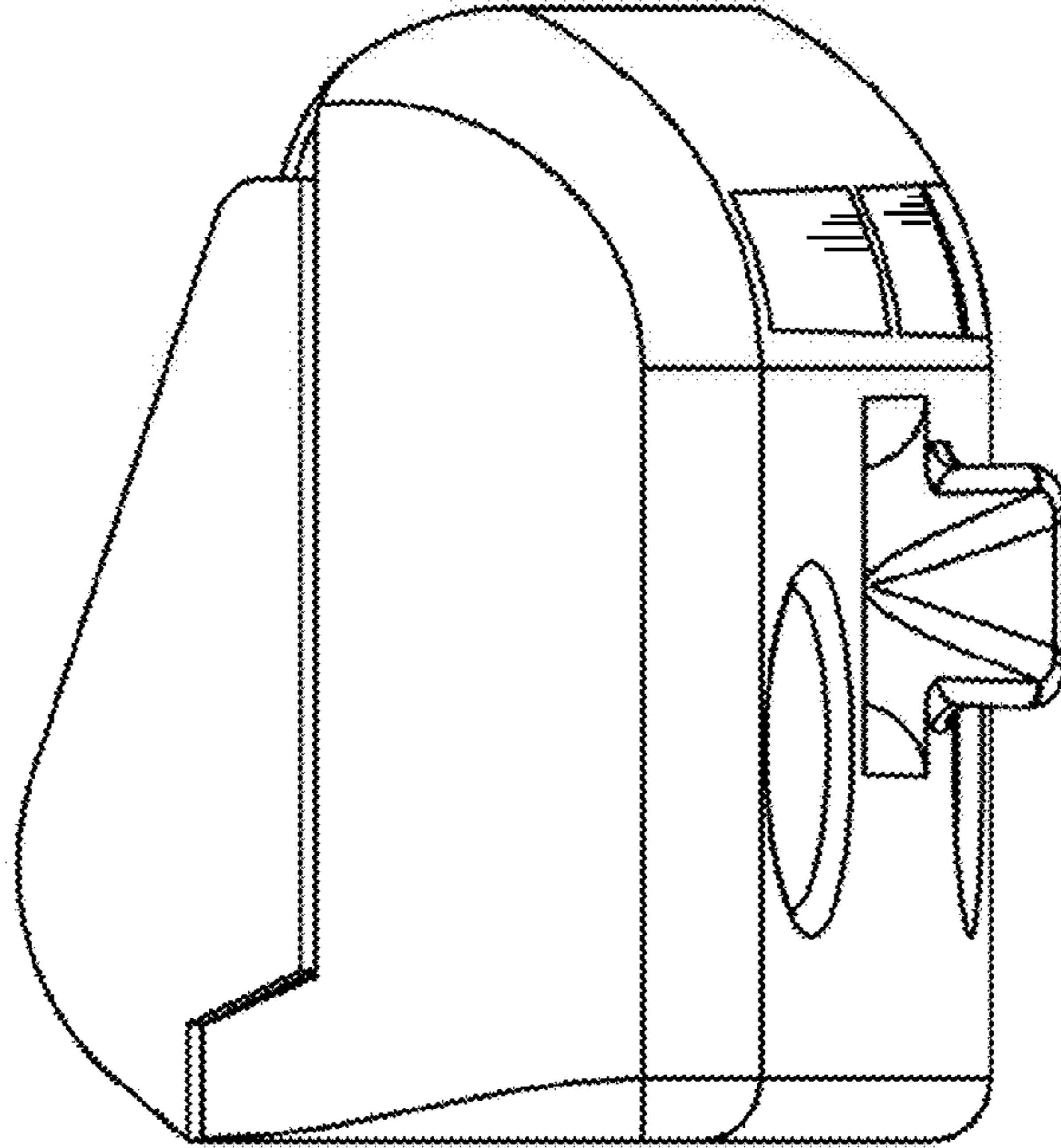


FIG. 6

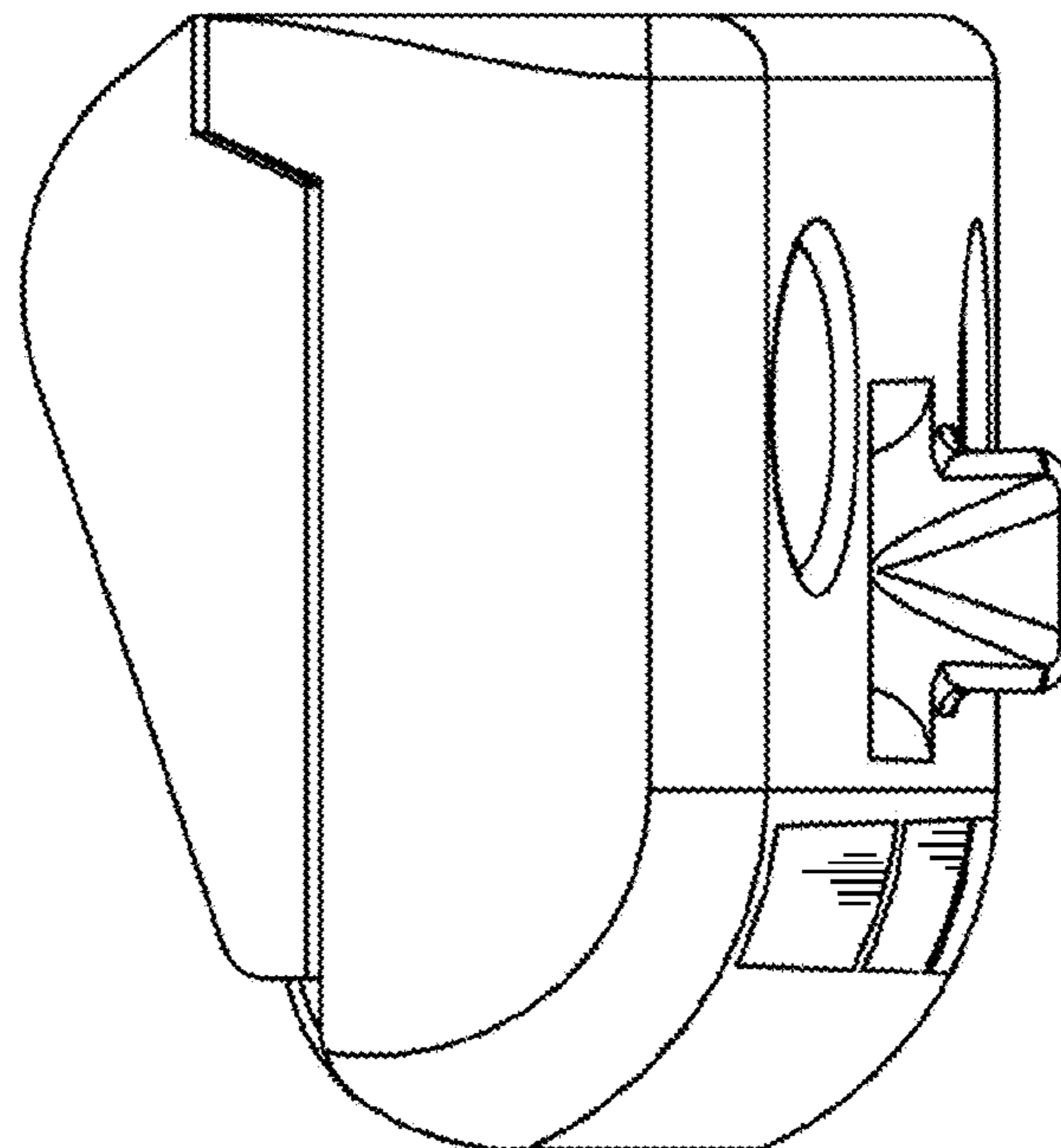


FIG. 5