



US00D762326S

(12) **United States Design Patent**  
**Liu**

(10) **Patent No.:** **US D762,326 S**  
(45) **Date of Patent:** **\*\* Jul. 26, 2016**

- (54) **ELECTRONIC CIGARETTE**
- (71) Applicant: **Qiuming Liu**, Guangdong (CN)
- (72) Inventor: **Qiuming Liu**, Guangdong (CN)
- (73) Assignee: **KIMREE HI-TECH INC**, Road Town, Tortola (VG)
- (\*\*) Term: **14 Years**
- (21) Appl. No.: **29/471,800**
- (22) Filed: **Nov. 5, 2013**
- (30) **Foreign Application Priority Data**

Oct. 12, 2013 (CN) ..... 2013 3 0481734

- (51) **LOC (10) Cl.** ..... **27-01**
- (52) **U.S. Cl.**  
USPC ..... **D27/101**
- (58) **Field of Classification Search**  
USPC ..... D27/101, 162, 163, 167, 169, 170, 171, D27/172, 183, 193, 194; 131/71, 76, 100, 131/101, 167, 169, 172, 175, 187, 190, 191, 131/202, 227, 229, 333, 347, 361; D24/110  
CPC ..... A24F 7/00; A24F 7/02; A24F 7/04; A24F 13/10; A24F 47/002; A24D 3/04; A24D 3/046; A24D 1/04; A24D 3/00  
See application file for complete search history.

(56) **References Cited**

**U.S. PATENT DOCUMENTS**

- D125,122 S \* 2/1941 Urben ..... 131/187
- 3,396,733 A \* 8/1968 Allseits ..... A24D 3/0237  
131/336
- 3,587,573 A \* 6/1971 Flack ..... A61M 5/06  
128/203.21
- D223,879 S \* 6/1972 Chernack ..... D27/194
- 3,720,235 A \* 3/1973 Schrock ..... F16L 11/121  
128/204.18

- D229,725 S \* 12/1973 Berger ..... 131/361
- D229,788 S \* 1/1974 Berger ..... 131/361
- D229,789 S \* 1/1974 Berger ..... 131/361
- D229,790 S \* 1/1974 Berger ..... 131/361
- D375,159 S \* 10/1996 Johansson ..... D23/266
- D638,194 S \* 5/2011 Lichstein ..... D34/39
- D646,431 S \* 10/2011 Awty ..... D27/101
- D651,338 S \* 12/2011 Awty ..... D27/101
- D685,522 S \* 7/2013 Potter ..... D27/101
- 8,499,766 B1 \* 8/2013 Newton ..... A24F 47/008  
131/273
- 8,539,959 B1 \* 9/2013 Scatterday ..... A61M 15/06  
131/194
- D691,765 S \* 10/2013 Tucker ..... D27/101
- D695,449 S \* 12/2013 Tucker ..... D27/101
- D722,196 S \* 2/2015 Tucker ..... D27/101
- D724,262 S \* 3/2015 Hearn ..... D27/101
- D724,781 S \* 3/2015 Hearn ..... D27/101
- D726,364 S \* 4/2015 Weigensberg ..... D27/101

(Continued)

*Primary Examiner* — Susan Bennett Hattan

*Assistant Examiner* — Janice Hallmark

(74) *Attorney, Agent, or Firm* — Tim Tingkang Xia, Esq.;  
Locke Lord LLP

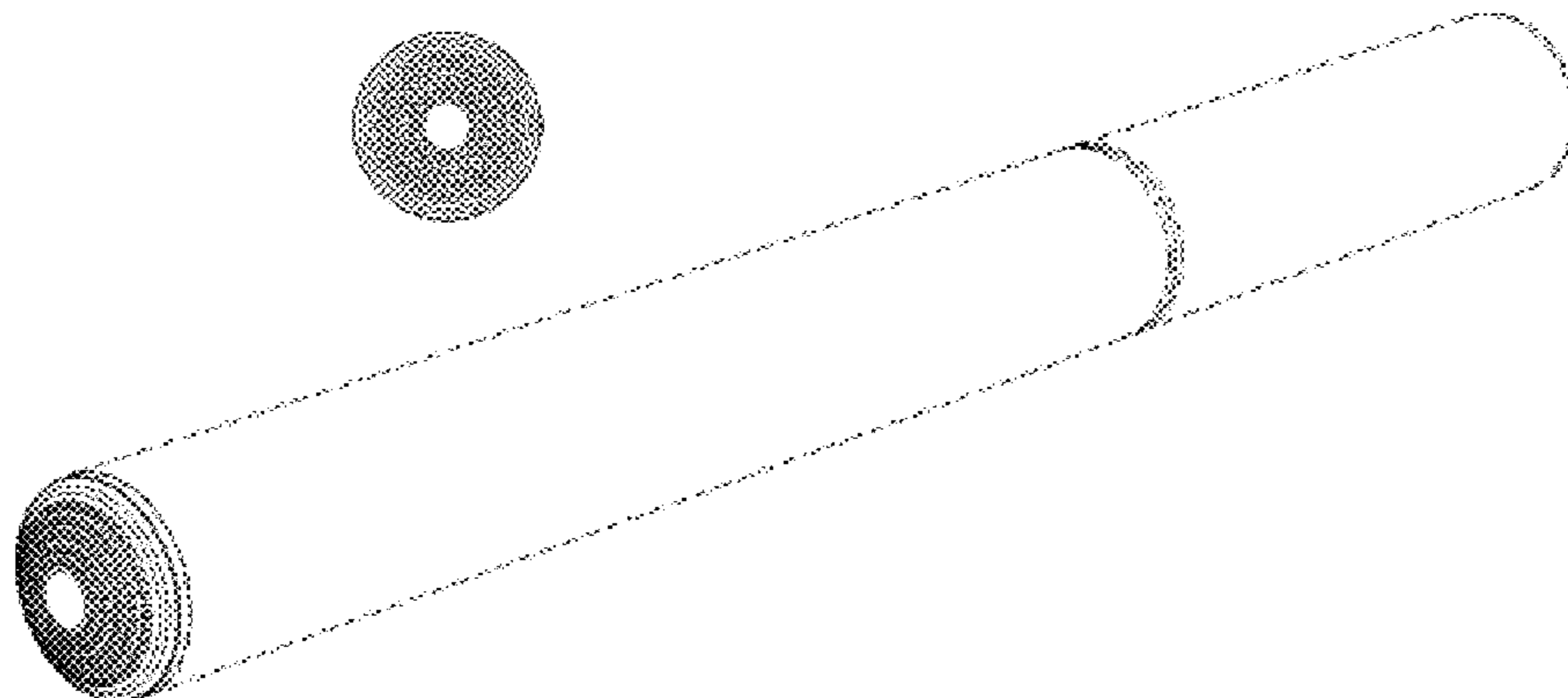
(57) **CLAIM**

The ornamental design for an electronic cigarette, as shown and described.

**DESCRIPTION**

FIG. 1 is a front elevational view of the electronic cigarette; FIG. 2 is a rear elevational view of the electronic cigarette; FIG. 3 is a left side elevational view of the electronic cigarette; FIG. 4 is a right side elevational view of the electronic cigarette; FIG. 5 is a top plan view of the electronic cigarette; FIG. 6 is a bottom plan view of the electronic cigarette; and, FIG. 7 is a perspective view of the electronic cigarette. The broken lines in the drawings depict parts of the electronic cigarette that form no part of the claimed design.

**1 Claim, 6 Drawing Sheets**



# US D762,326 S

Page 2

---

(56)

## References Cited

### U.S. PATENT DOCUMENTS

D726,365 S \* 4/2015 Weigensberg ..... D27/101  
D728,852 S \* 5/2015 Hearn ..... D27/101  
D729,439 S \* 5/2015 Scatterday ..... D27/101

D738,036 S \* 9/2015 Tucker ..... D27/101  
D738,566 S \* 9/2015 Tucker ..... D27/101  
D738,567 S \* 9/2015 Tucker ..... D27/101  
2014/0238421 A1\* 8/2014 Shapiro ..... A24F 47/008  
131/328

\* cited by examiner

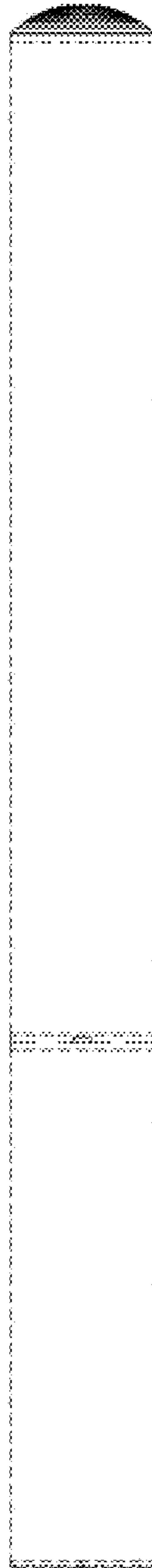


Fig. 1

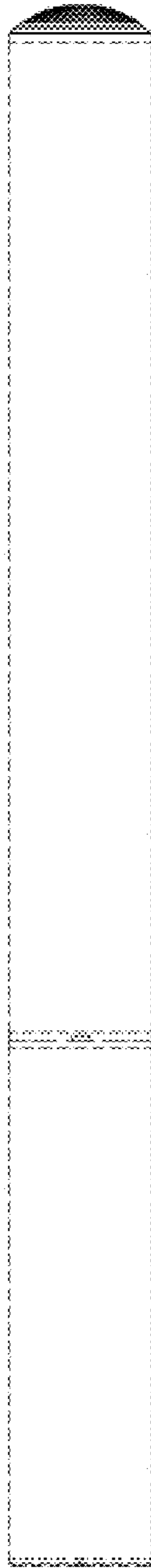


Fig. 2

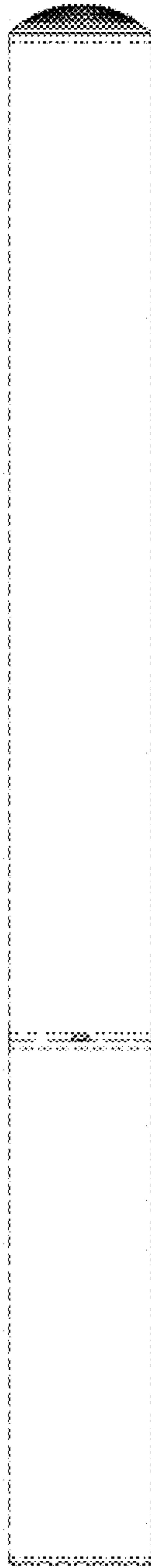


Fig. 3

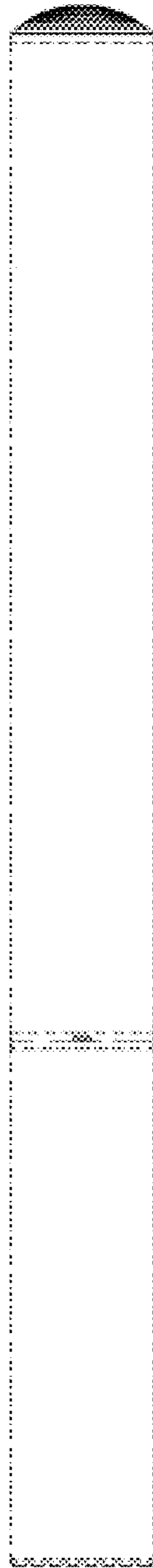


Fig. 4

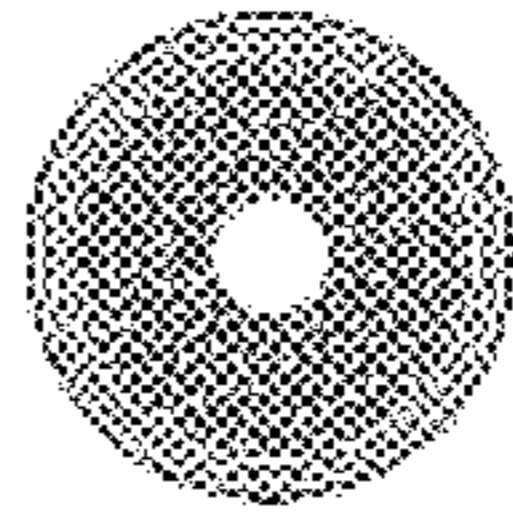


Fig. 5

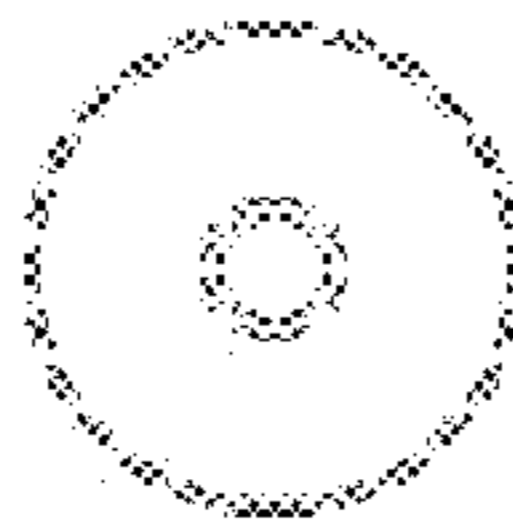


Fig. 6

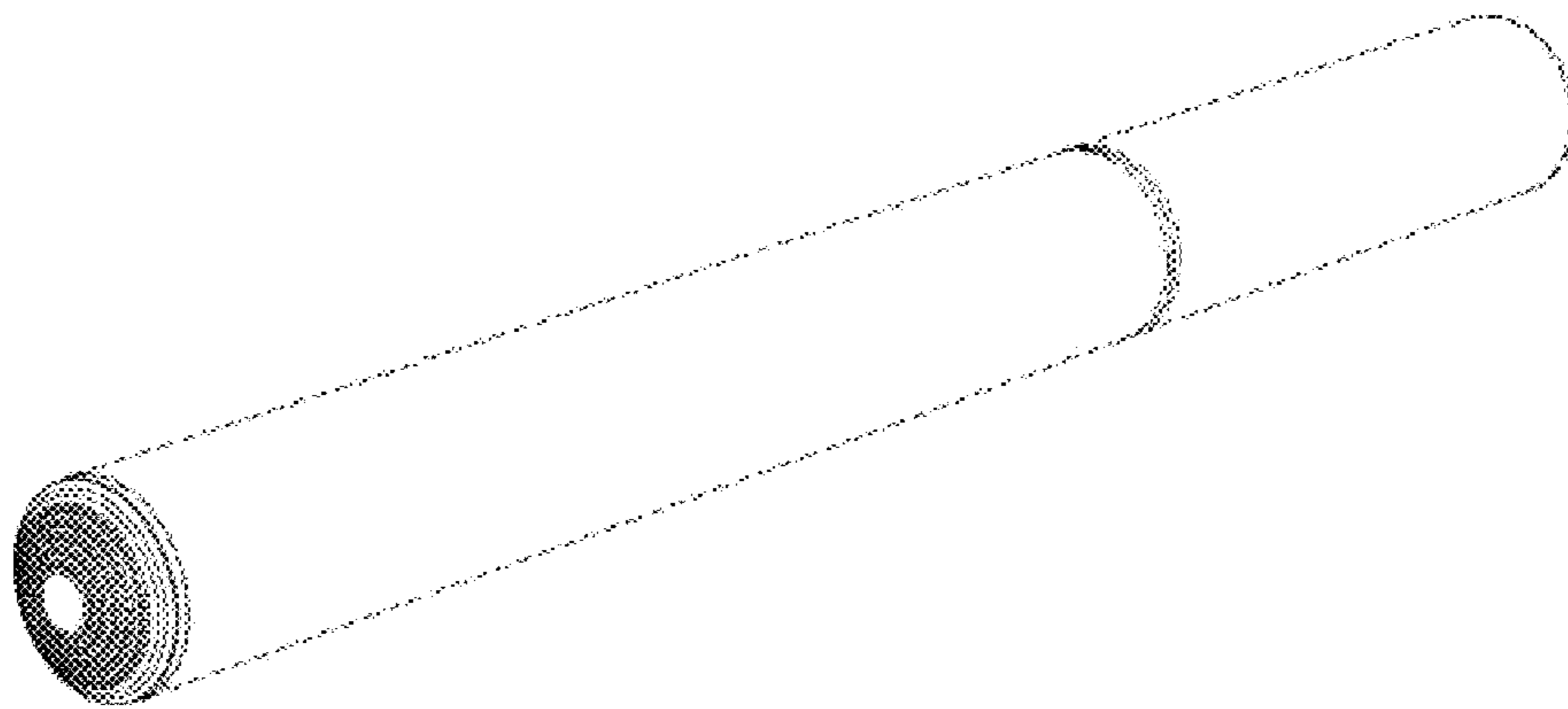


Fig. 7