



US00D762324S

(12) **United States Design Patent**
Egley

(10) **Patent No.:** **US D762,324 S**
(45) **Date of Patent:** **** Jul. 26, 2016**

- (54) **STYLIZED SIGNATURE LAMP**
- (71) Applicant: **Valeo Lighting Systems North America, LLC**, Seymour, IN (US)
- (72) Inventor: **David DeWayne Egley**, Columbus, IN (US)
- (73) Assignee: **Valeo North America, Inc.**, Seymour, IN (US)
- (**) Term: **14 Years**
- (21) Appl. No.: **29/493,313**
- (22) Filed: **Jun. 8, 2014**
- (51) **LOC (10) Cl.** **26-99**
- (52) **U.S. Cl.**
USPC **D26/139**
- (58) **Field of Classification Search**
USPC D26/28-36; 362/459-468, 475-478,
362/485-487
See application file for complete search history.

2004/0264210	A1	12/2004	Albou et al.
2005/0018436	A1	1/2005	Leleve
2005/0219856	A1	10/2005	Tatsukawa
2006/0239022	A1	10/2006	Inaba et al.
2006/0285347	A1	12/2006	Okada

FOREIGN PATENT DOCUMENTS

EP	1225386	7/2002
EP	1243846	9/2002
EP	1491816	12/2004
EP	1500553	1/2005
FR	2868510	10/2005

* cited by examiner

Primary Examiner — Marcus Jackson

(74) *Attorney, Agent, or Firm* — Jacox, Meckstroth & Jenkins

(57) **CLAIM**

The ornamental design for stylized signature lamp, as shown and described.

DESCRIPTION

FIG. 1 is a fragmentary front view of the stylized signature lamp in accordance with one embodiment;
 FIG. 2 is a fragmentary view similar to FIG. 1;
 FIG. 3 is a fragmentary perspective view of the embodiment shown in FIG. 1;
 FIG. 4 is another fragmentary perspective view of the embodiment shown in FIG. 1;
 FIG. 5 is another fragmentary perspective view;
 FIG. 6 is a fragmentary view from the right;
 FIG. 7 is a fragmentary top view of the stylized lamp; and,
 FIG. 8 is a fragmentary view of a right side lamp in accordance with another embodiment.
 In FIGS. 1-8, with the dashed or broken lines, contour lines, and shading in the drawing depicting the environmental structure or boundaries that form no part of the design.

1 Claim, 8 Drawing Sheets

- (56) **References Cited**
- U.S. PATENT DOCUMENTS
- 6,811,289 B2 11/2004 Nakata
- D508,136 S * 8/2005 Pfeiffer D26/28
- D518,581 S * 4/2006 Osawa D26/28
- D528,231 S * 9/2006 Ikeda D26/28
- 7,121,705 B2 10/2006 Albou et al.
- D535,409 S * 1/2007 Yamaguchi D26/28
- 7,168,836 B2 1/2007 Tatsukawa
- D538,956 S * 3/2007 Ishii D26/28
- D544,614 S * 6/2007 Markefka D26/28
- D561,358 S * 2/2008 Tachibana D26/28
- 7,390,112 B2 6/2008 Leleve
- 7,524,095 B2 4/2009 Albou et al.
- 7,699,509 B2 4/2010 Leleve
- 7,980,742 B2 7/2011 Albou
- 2002/0145370 A1 10/2002 Nakata
- 2002/0186570 A1 12/2002 Albou et al.

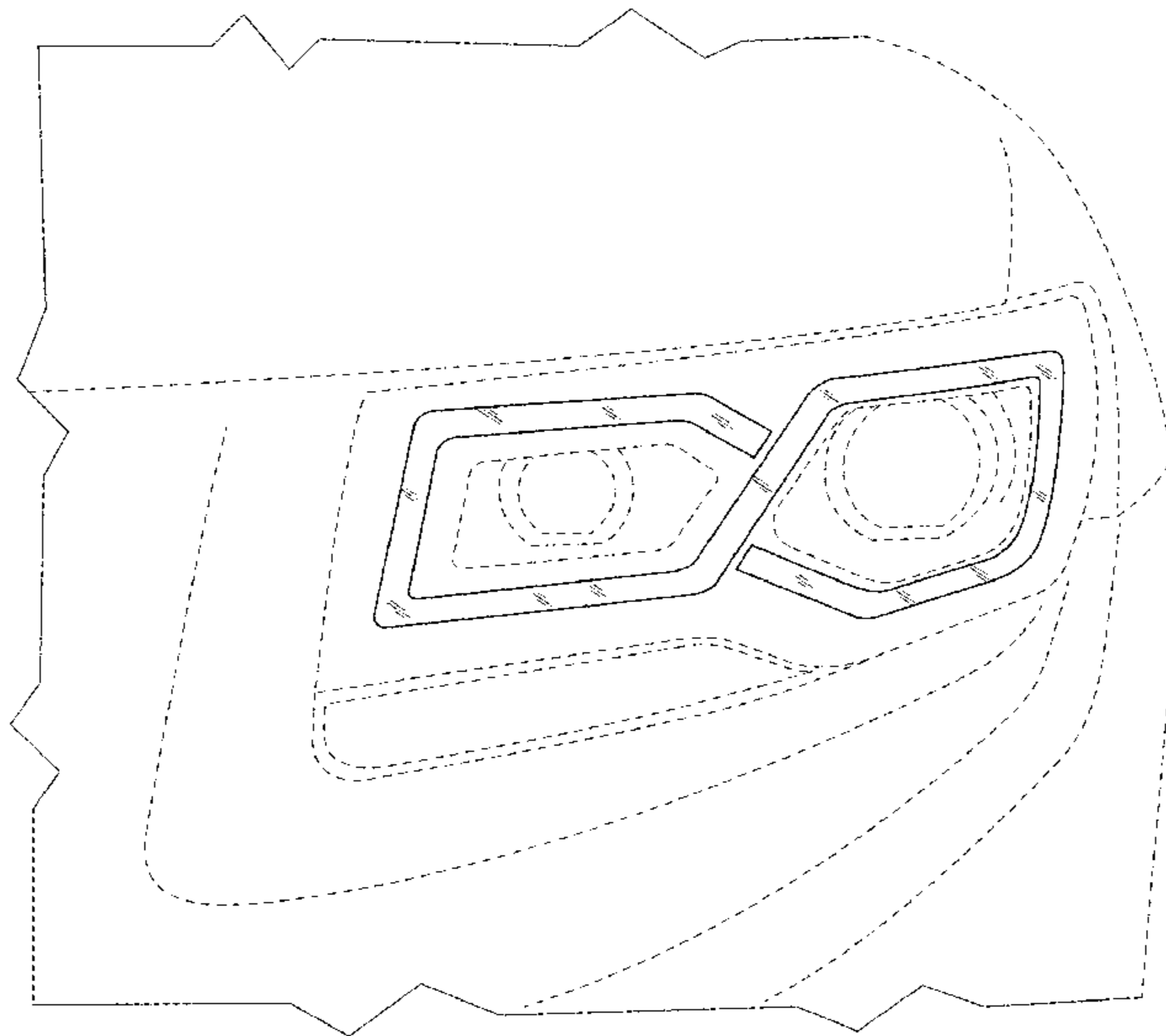


FIG. 1

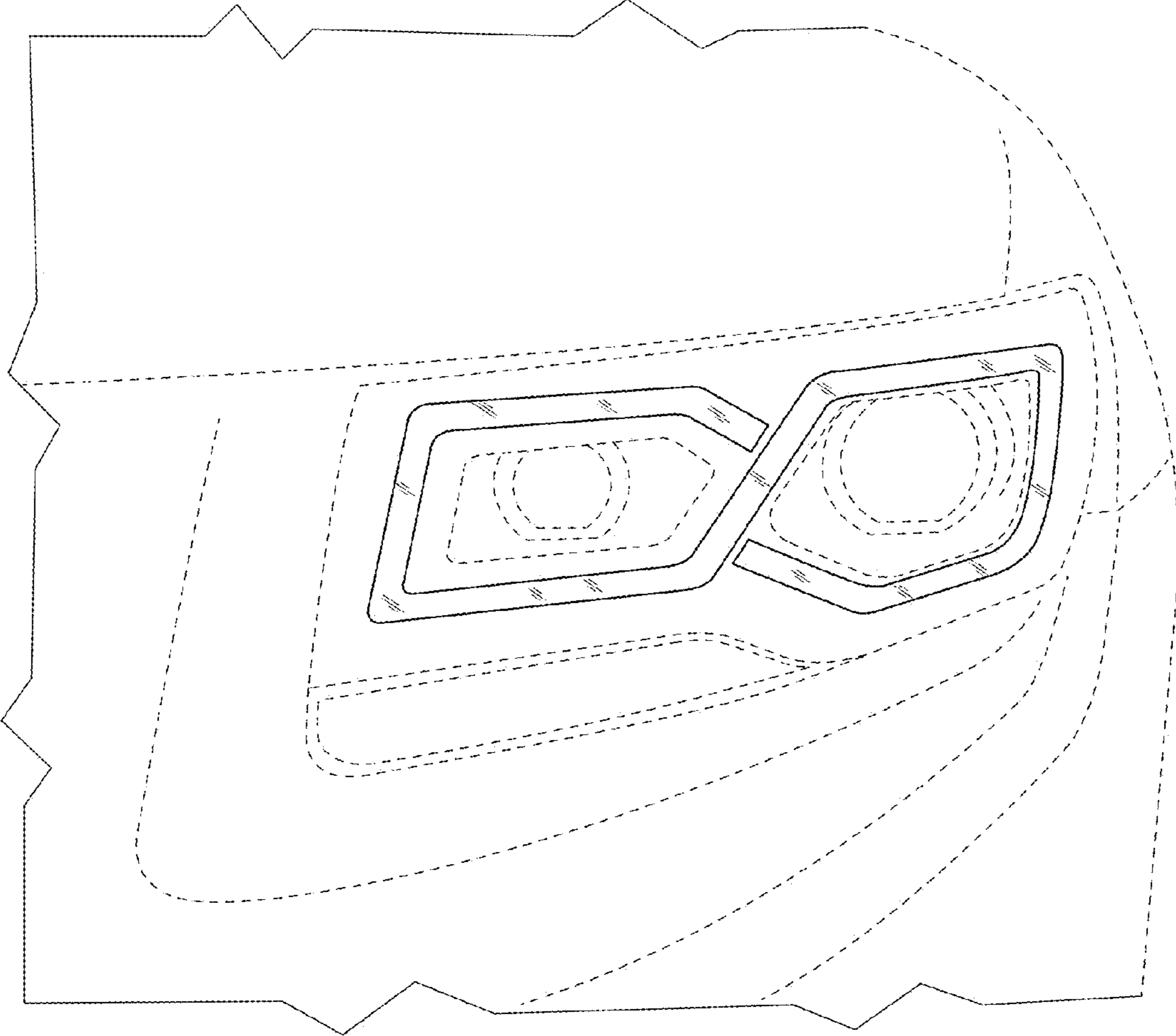


FIG. 2

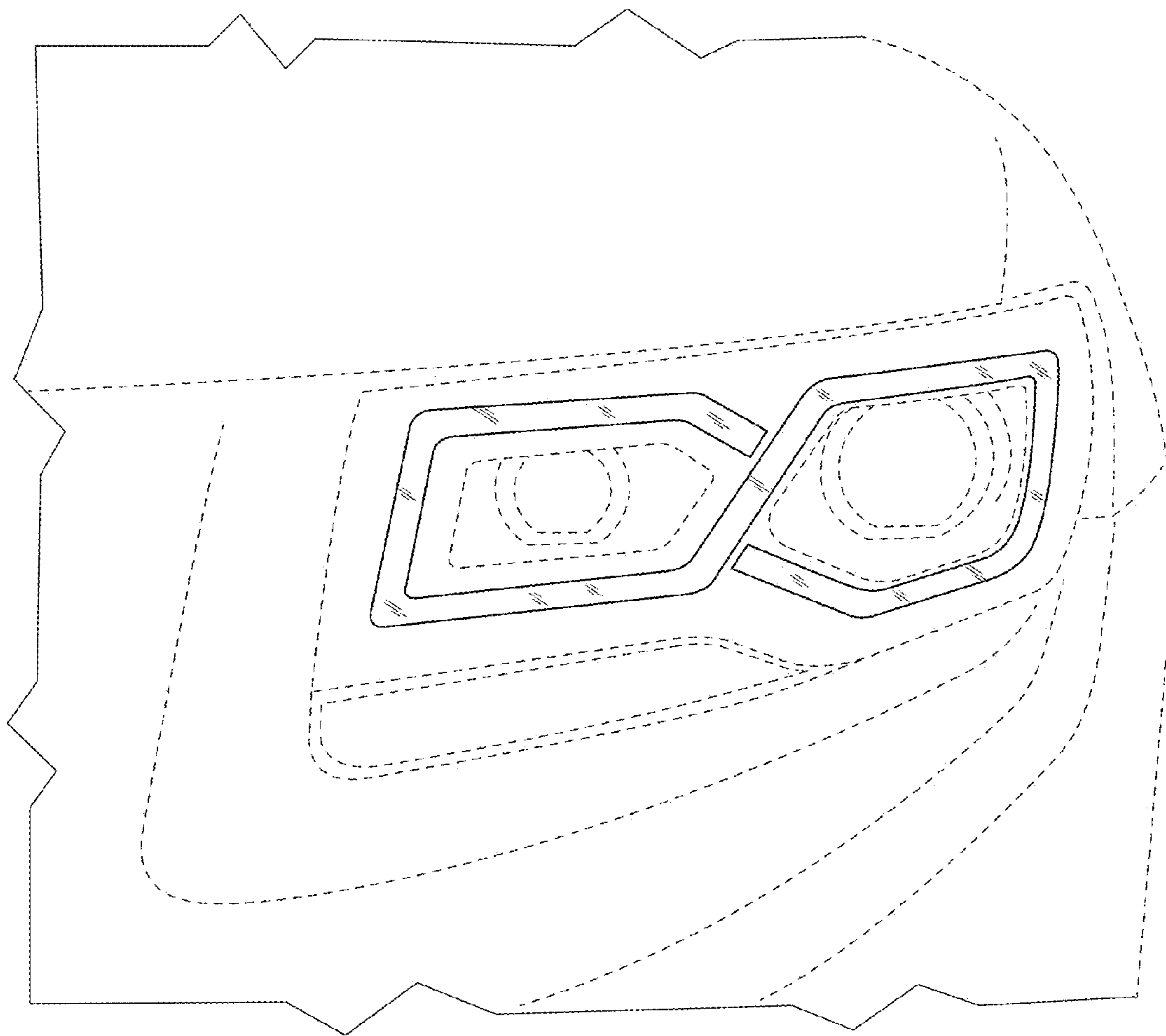


FIG. 3

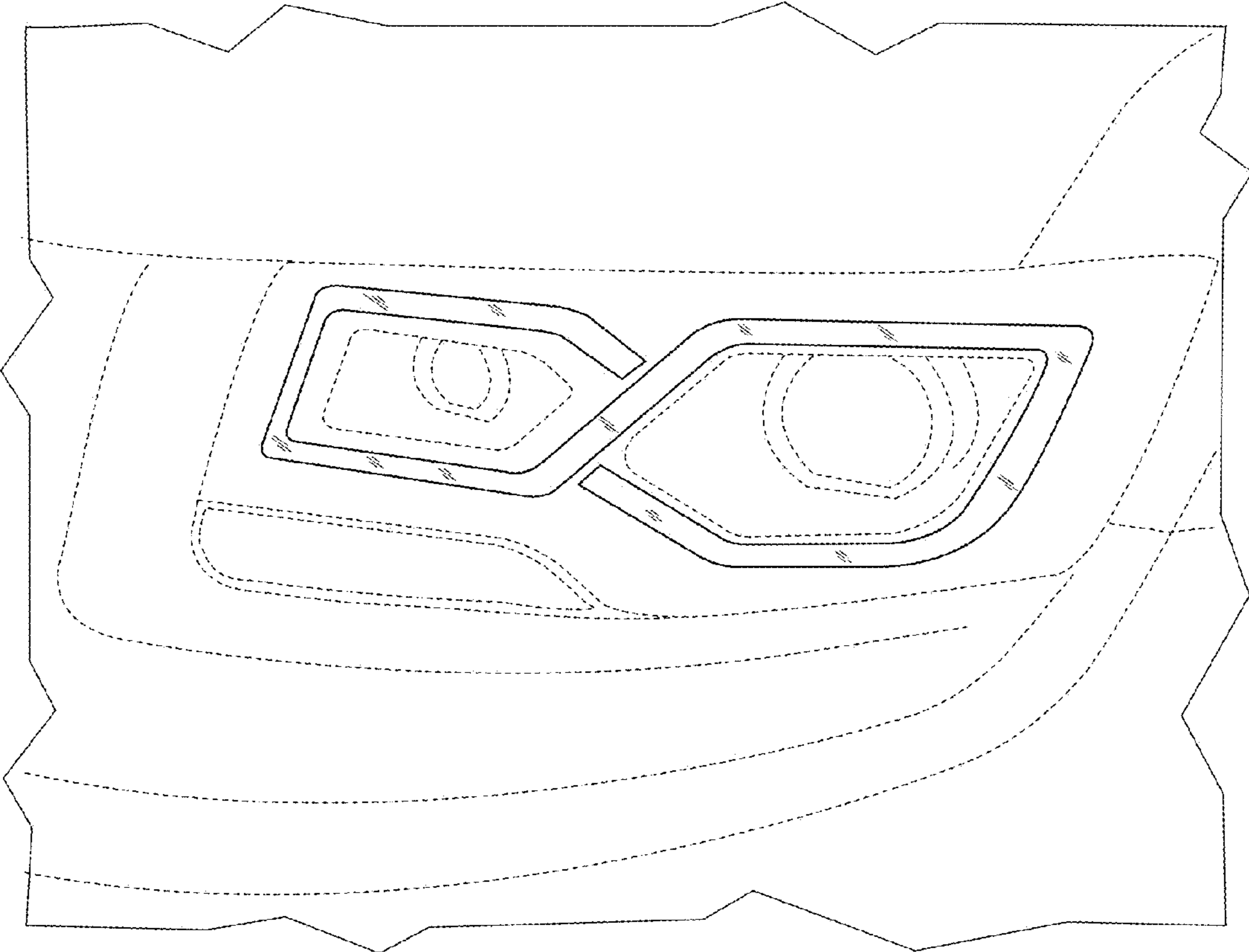


FIG. 4

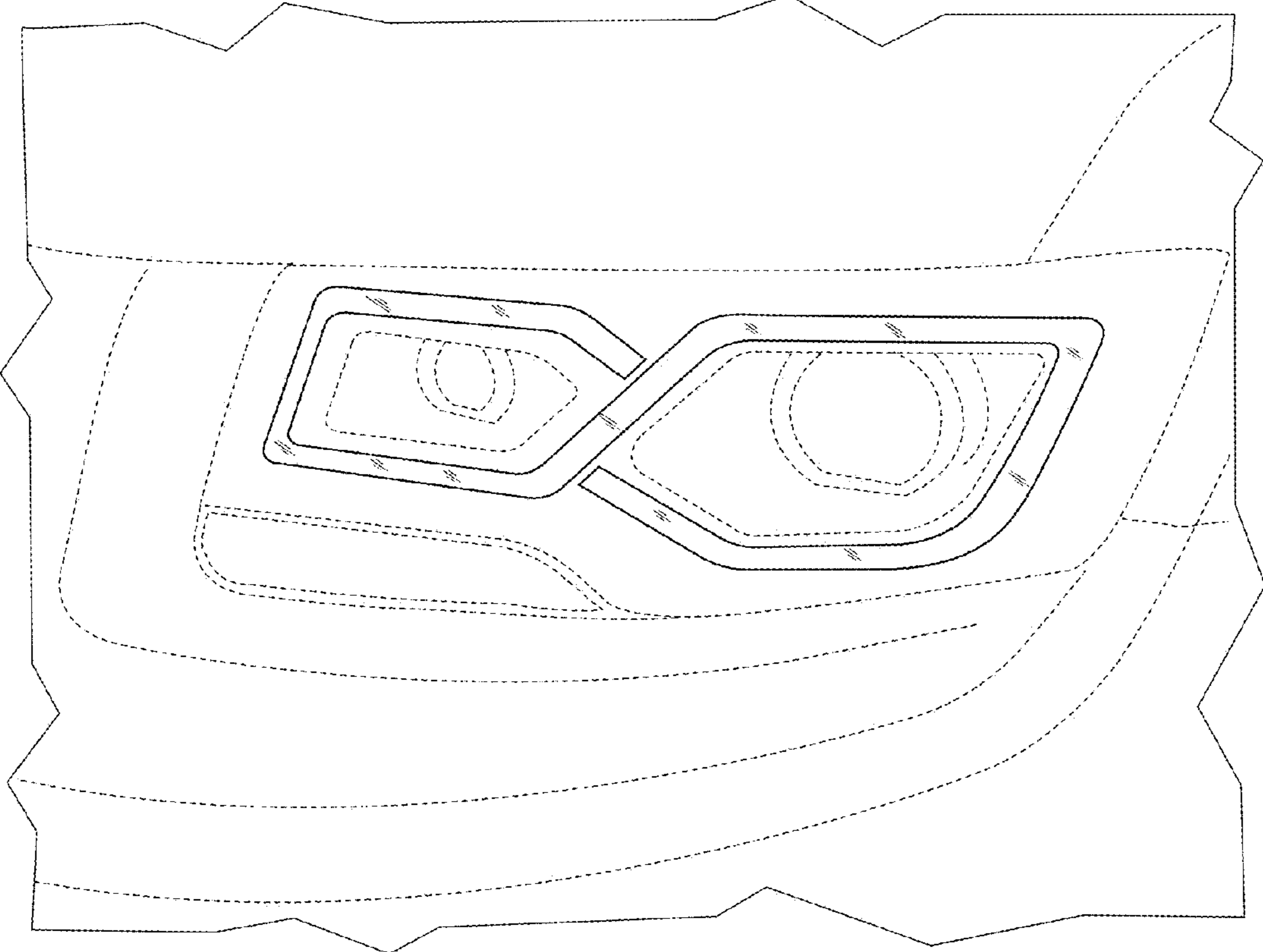


FIG. 5

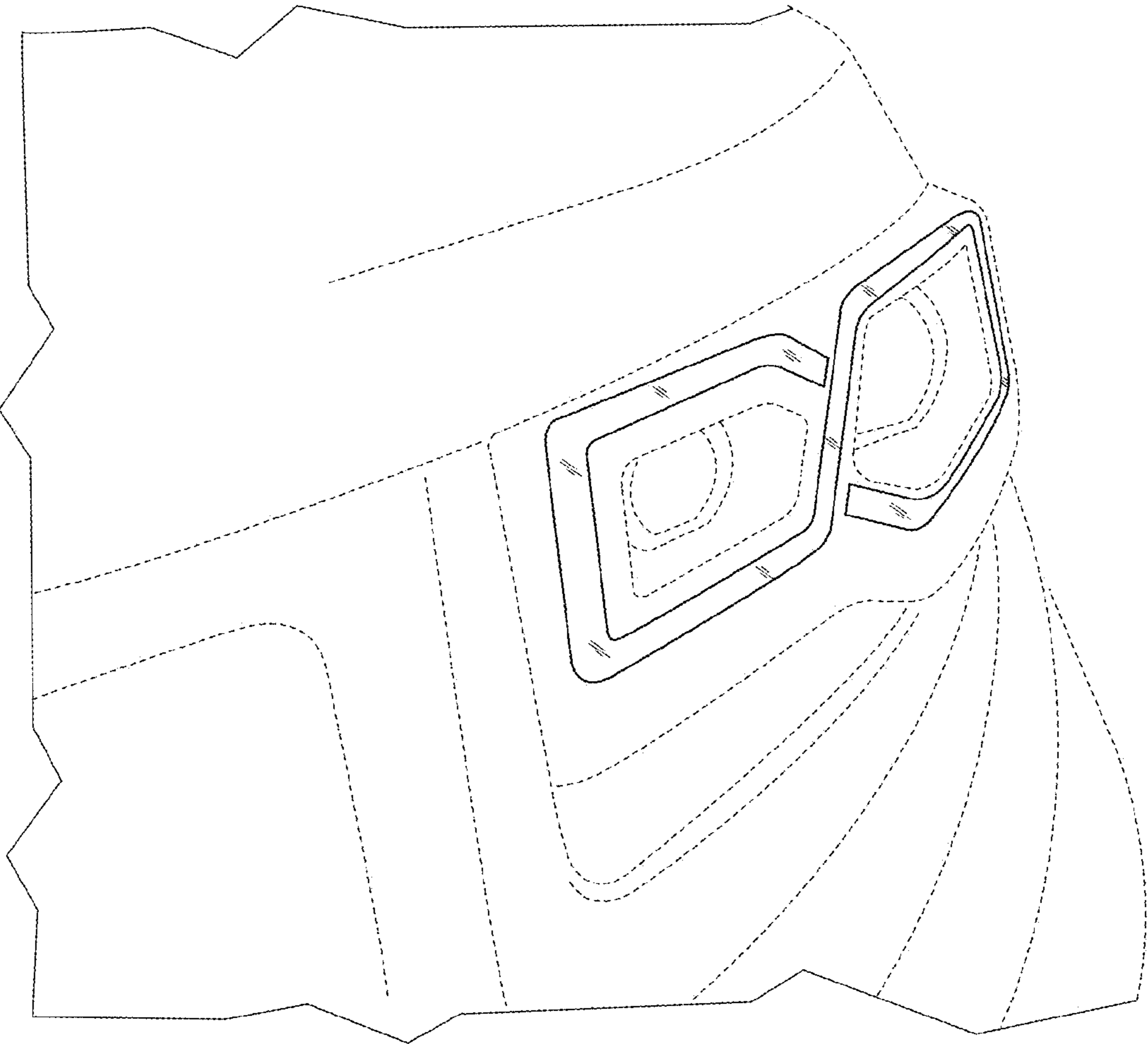


FIG. 6

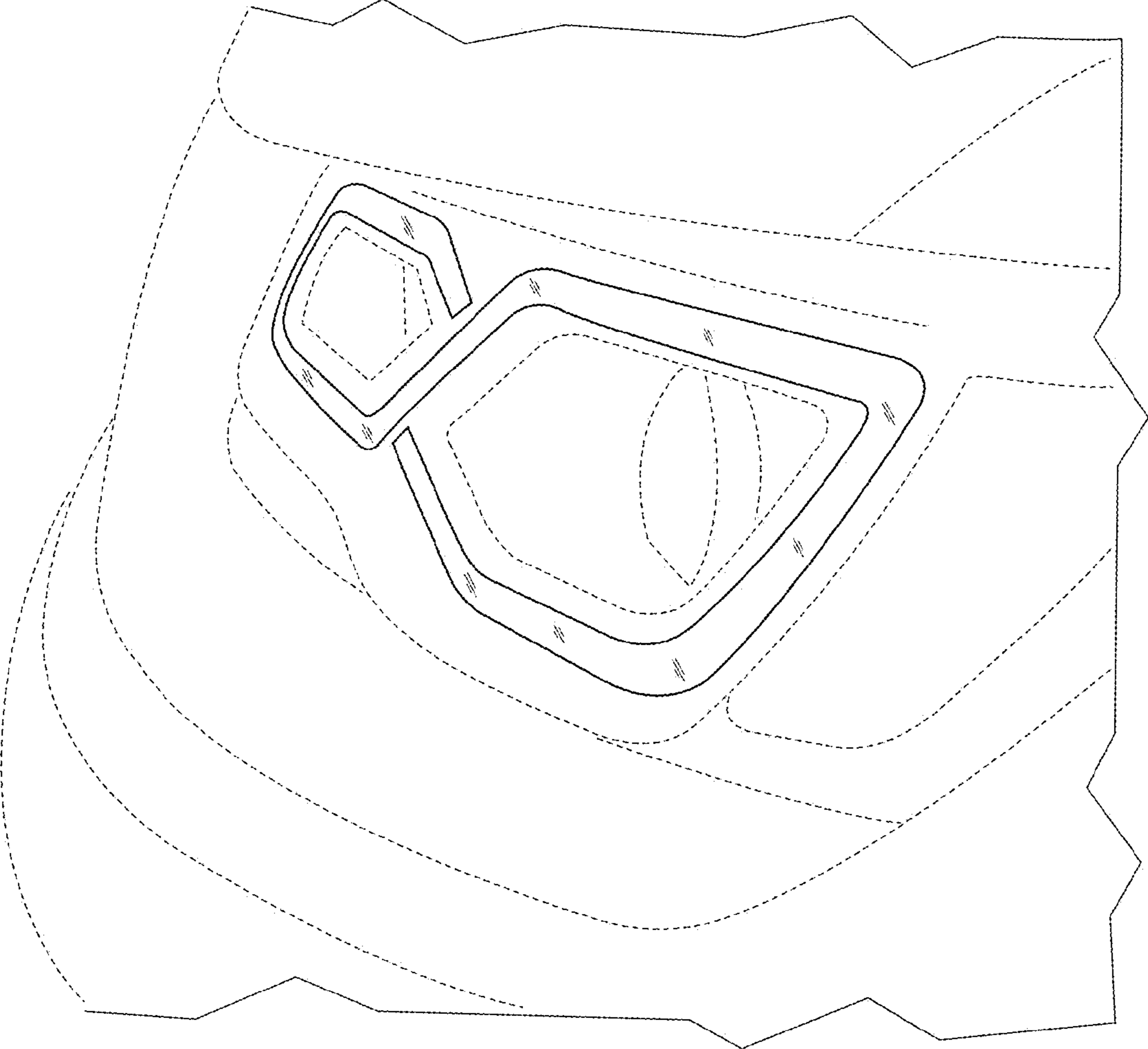


FIG. 7

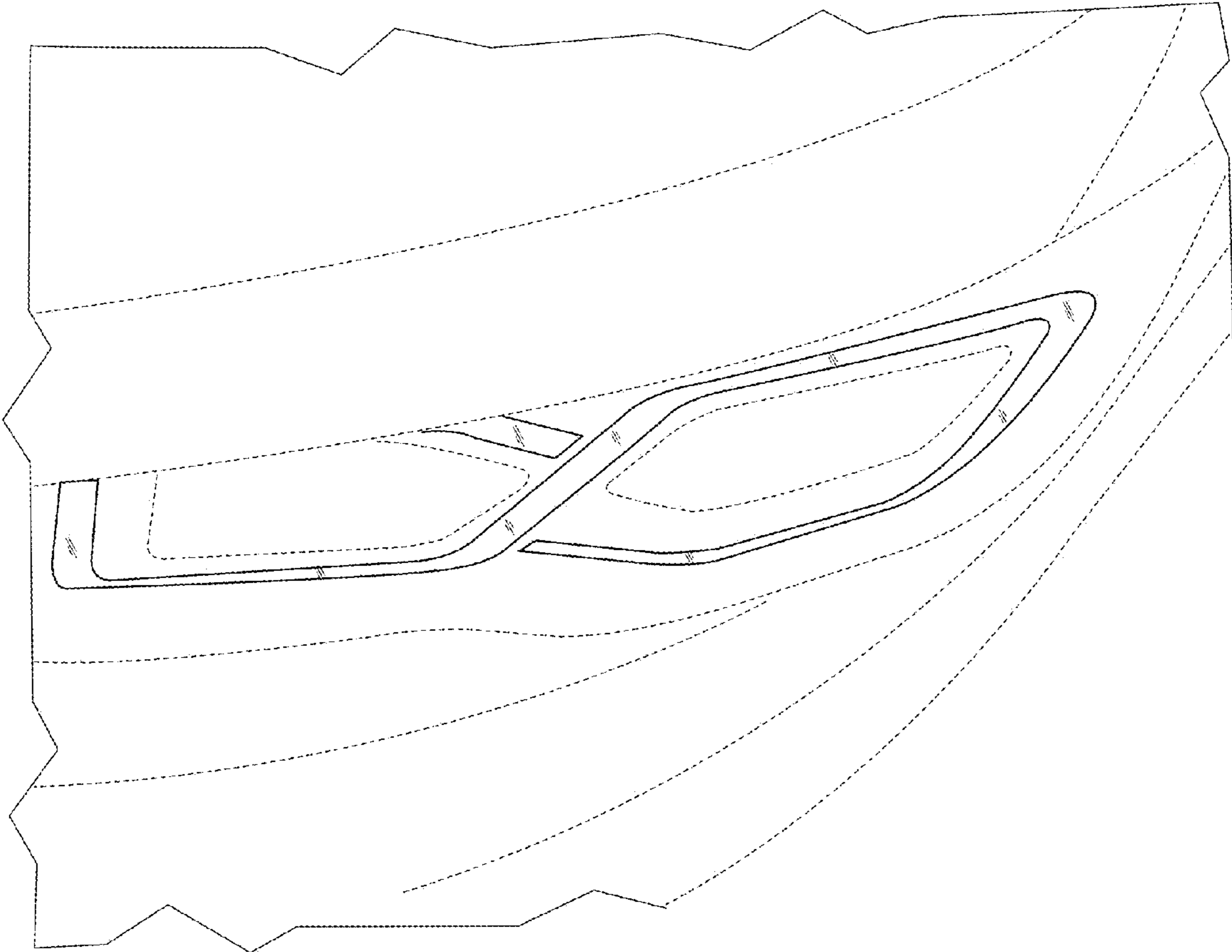


FIG. 8

