

US00D762321S

(12) **United States Design Patent**  
**Fletcher et al.**

(10) **Patent No.:** **US D762,321 S**  
(45) **Date of Patent:** **\*\* Jul. 26, 2016**

(54) **LIGHT FIXTURE**

(71) Applicant: **Phoenix Products Company, Inc.**,  
Milwaukee, WI (US)

(72) Inventors: **Robert Kenneth Yasuji Fletcher**,  
Racine, WI (US); **Alison Lee Pierce**,  
Brookfield, WI (US); **Kenneth C.**  
**Kuchler**, Hartford, WI (US)

(73) Assignee: **Phoenix Products Company, Inc.**,  
Milwaukee, WI (US)

(\*\*) Term: **14 Years**

(21) Appl. No.: **29/506,971**

(22) Filed: **Oct. 22, 2014**

(51) **LOC (10) Cl.** ..... **26-05**

(52) **U.S. Cl.**  
USPC ..... **D26/74**

(58) **Field of Classification Search**  
USPC ..... D26/74, 72, 75, 76, 77, 78, 85, 88, 89,  
D26/118, 138, 141; 362/364, 365, 373, 145,  
362/146, 147, 148, 150, 153, 153.1, 294,  
362/296.01, 296.07, 296.08  
CPC ..... F21V 29/2262; F21V 7/06; F21V 21/044;  
F21V 21/047; F21V 29/2212; F21V 29/2225;  
F21V 29/2256; F21V 29/225; F21V 29/2268;  
F21Y 2111/002; F21S 8/02; F21S 8/026  
See application file for complete search history.

(56) **References Cited**

**U.S. PATENT DOCUMENTS**

D326,337 S \* 5/1992 Miyazaki ..... D26/104  
D400,274 S \* 10/1998 Ziaylek, Jr. .... D10/111

D509,615 S \* 9/2005 Rashidi ..... D26/120  
7,264,378 B2 \* 9/2007 Loh ..... H01L 33/58  
257/100  
D591,785 S \* 5/2009 Fong ..... D16/237  
D597,503 S \* 8/2009 Maglica ..... D13/182  
7,659,551 B2 \* 2/2010 Loh ..... H01L 33/58  
257/415  
D634,456 S \* 3/2011 Jones ..... D26/24  
D639,996 S \* 6/2011 Stolte ..... D26/89  
D655,850 S \* 3/2012 Sabernig ..... D26/85  
D658,317 S \* 4/2012 Eberle ..... D26/24  
D658,327 S \* 4/2012 Meise ..... D26/74  
D692,171 S \* 10/2013 Randolph ..... D26/67

\* cited by examiner

*Primary Examiner* — Angela J Lee

(74) *Attorney, Agent, or Firm* — Whyte Hirschboeck Dudek  
S.C.

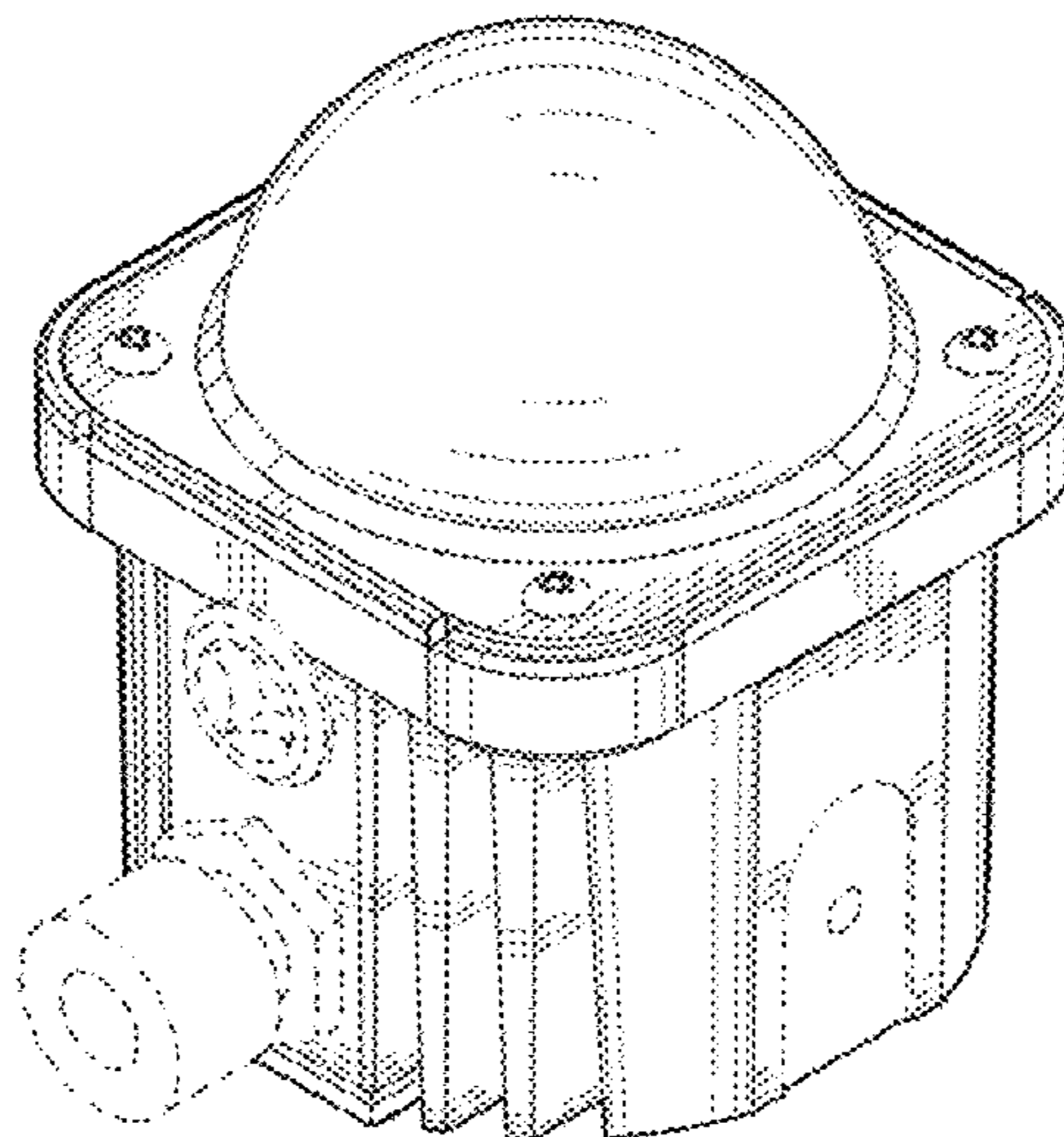
(57) **CLAIM**

The ornamental design for a light fixture, as shown and  
described.

**DESCRIPTION**

FIG. 1 is a front perspective view of an embodiment of a light  
fixture;  
FIG. 2 is as back perspective view thereof;  
FIG. 3 is a top plan view thereof;  
FIG. 4 is a bottom plan view thereof;  
FIG. 5 is a front elevation view thereof;  
FIG. 6 is a back elevation view thereof;  
FIG. 7 is as left side elevation view thereof; and,  
FIG. 8 is a right side elevation view thereof.  
The broken lines of FIGS. 1-8 illustrate portions of the light  
fixture that form no part of the claimed design.

**1 Claim, 4 Drawing Sheets**



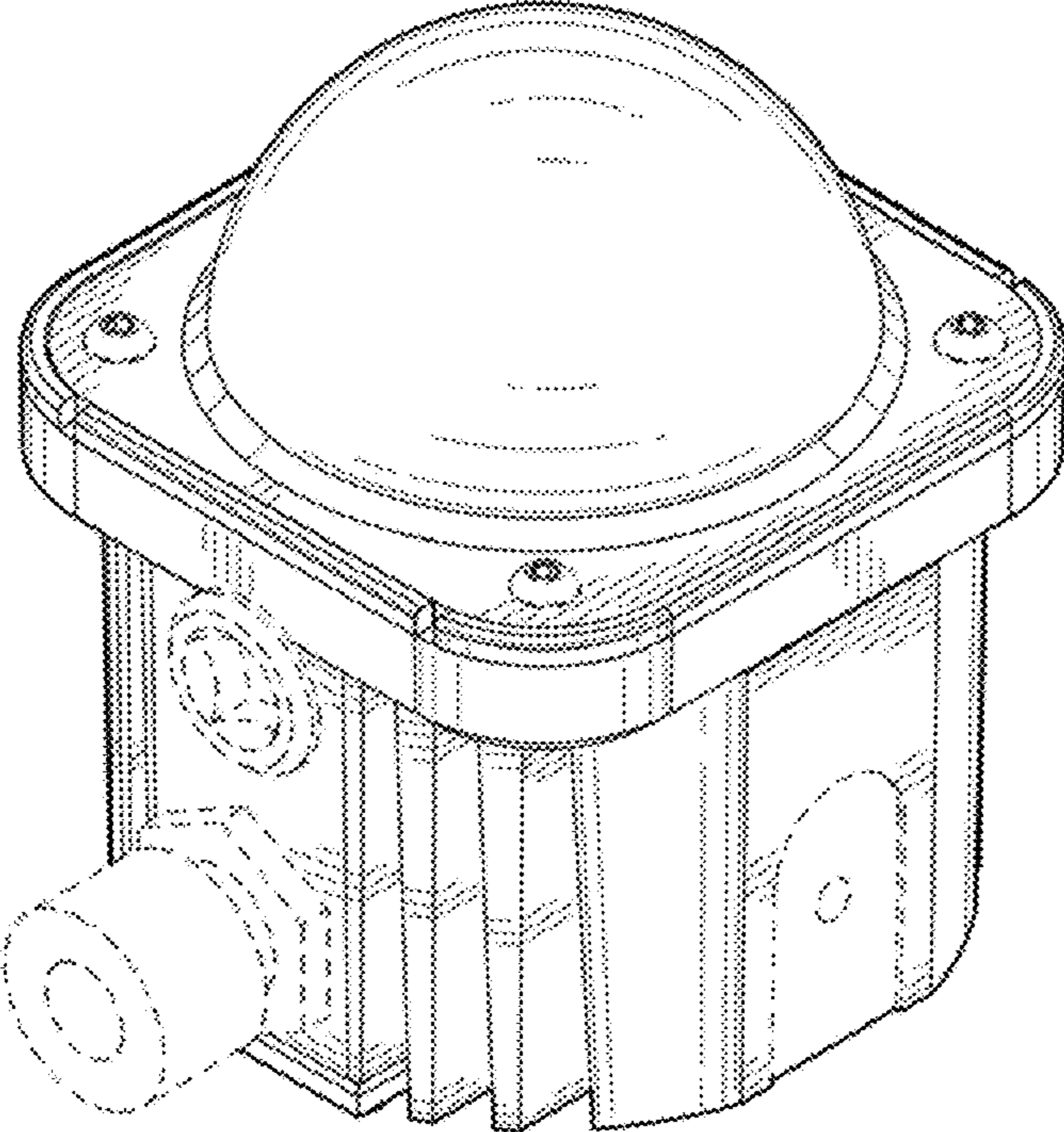


FIG. 1

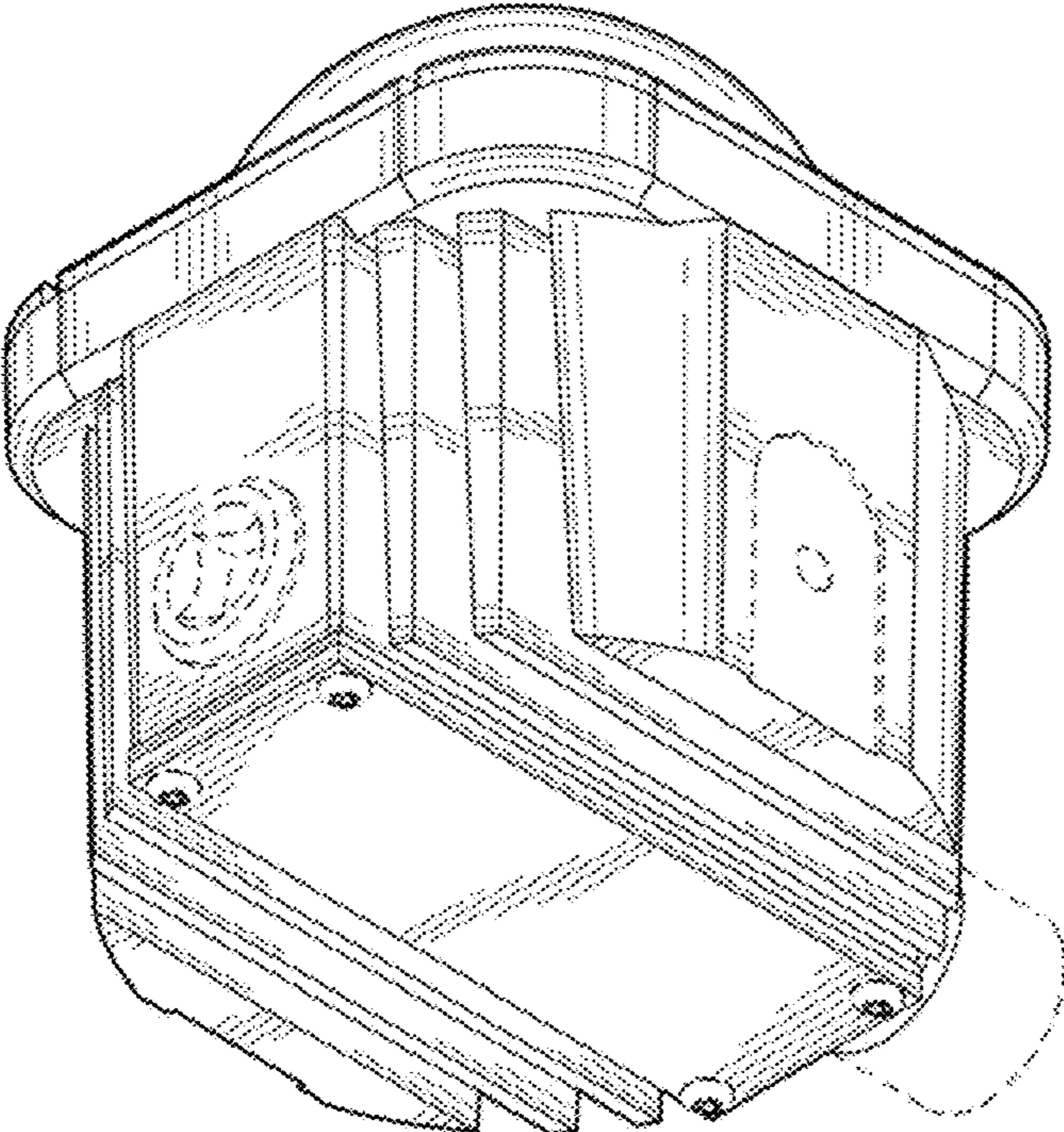


FIG. 2



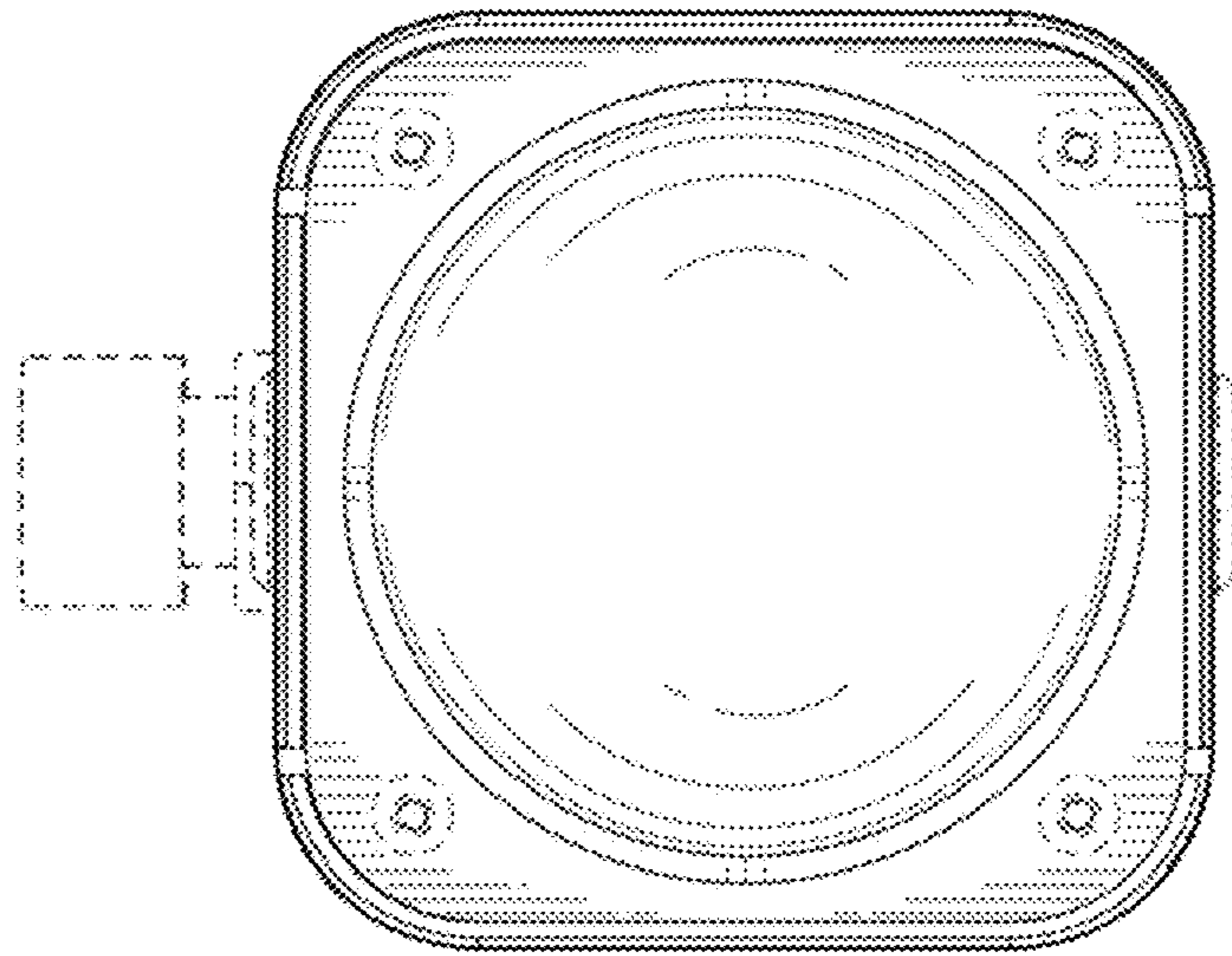


FIG. 3

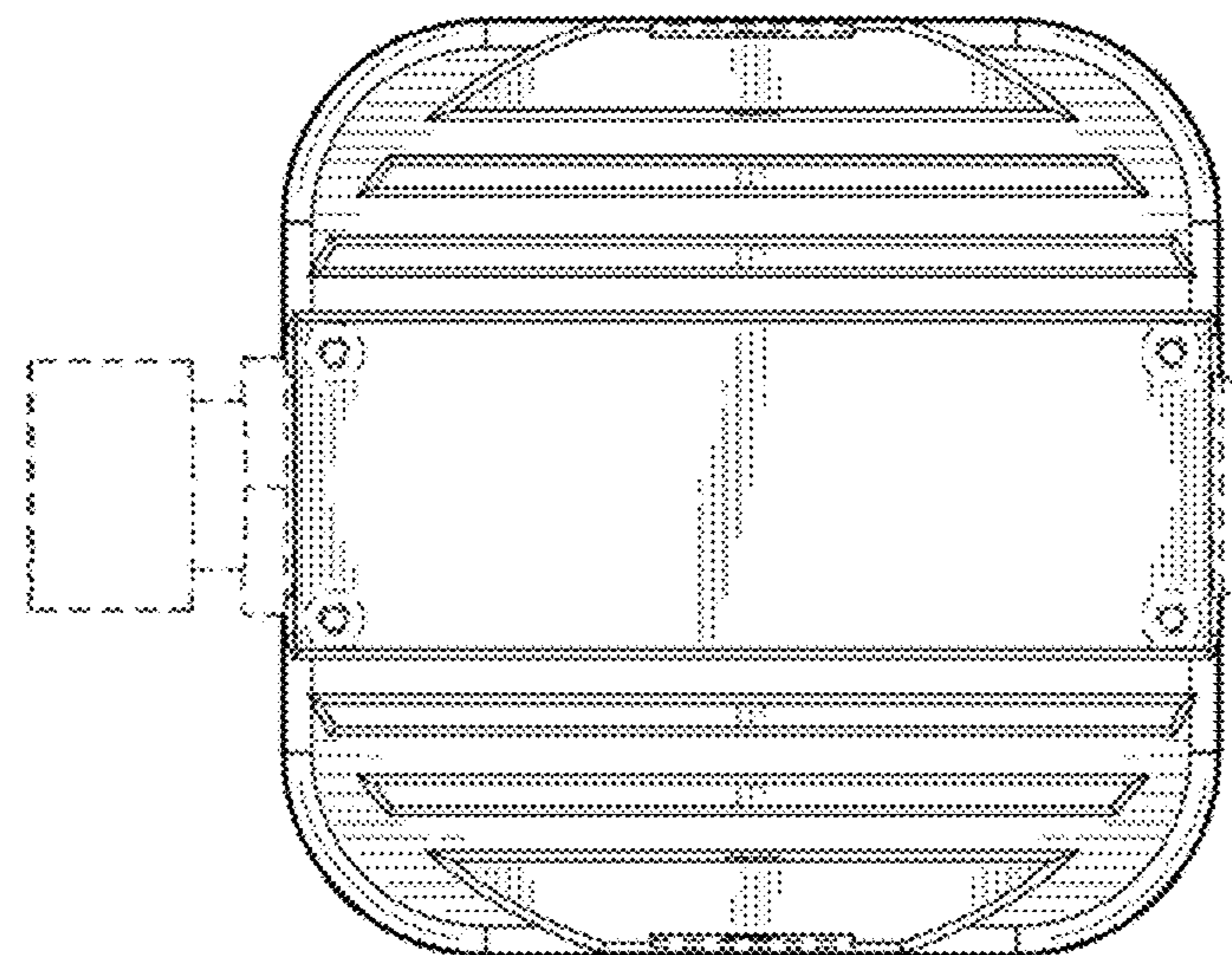


FIG. 4

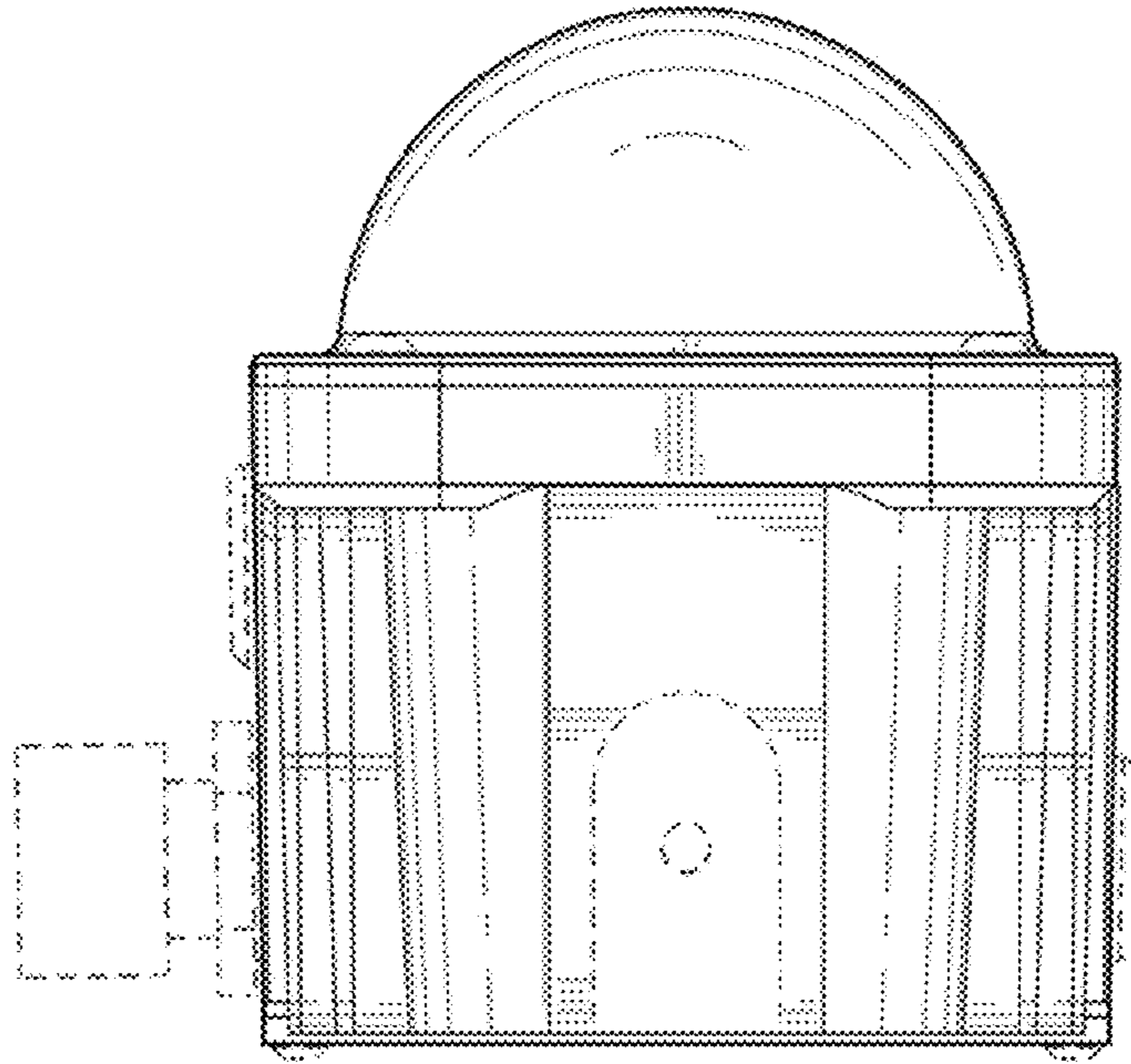


FIG. 5

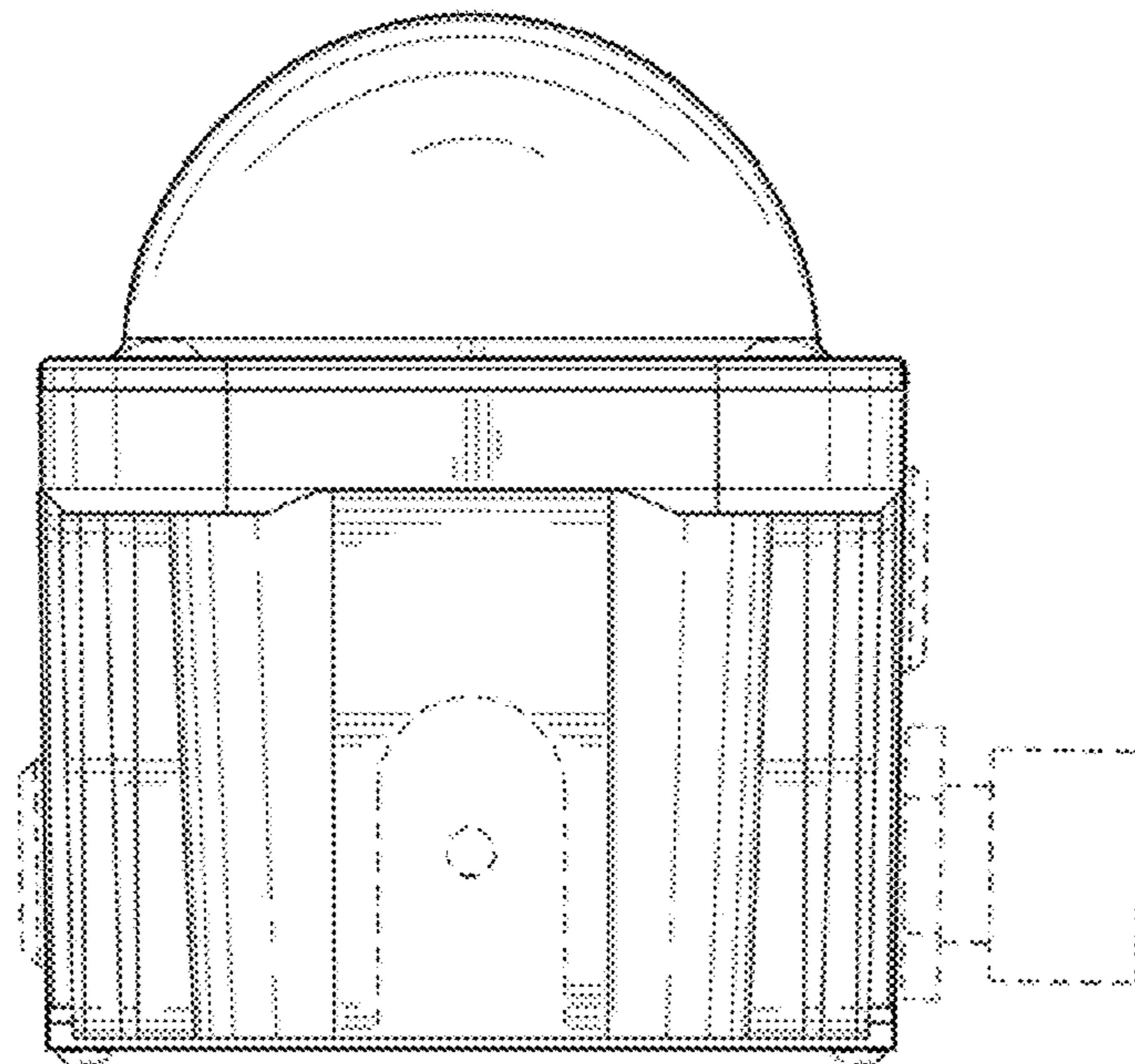


FIG. 6

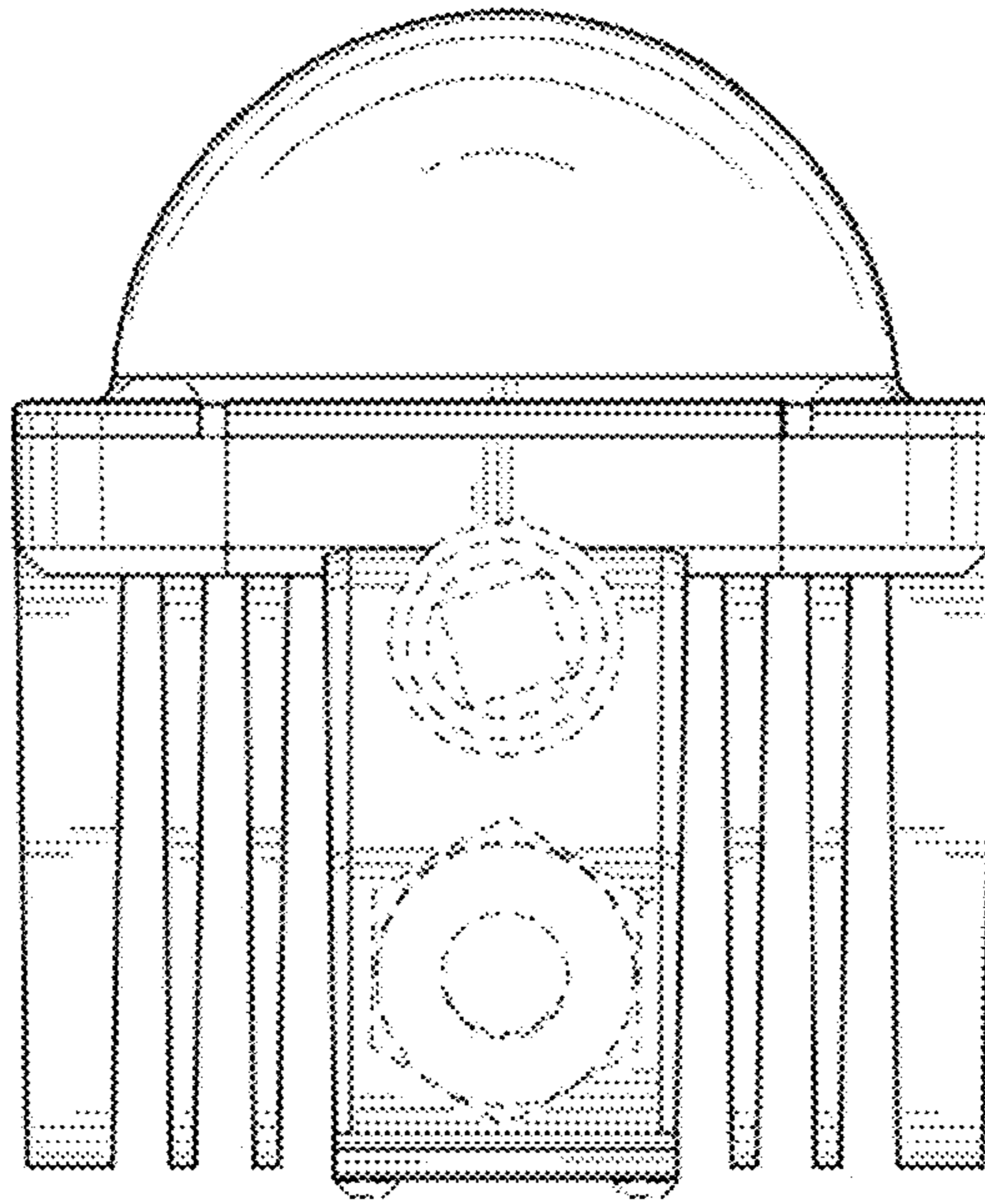


FIG. 7

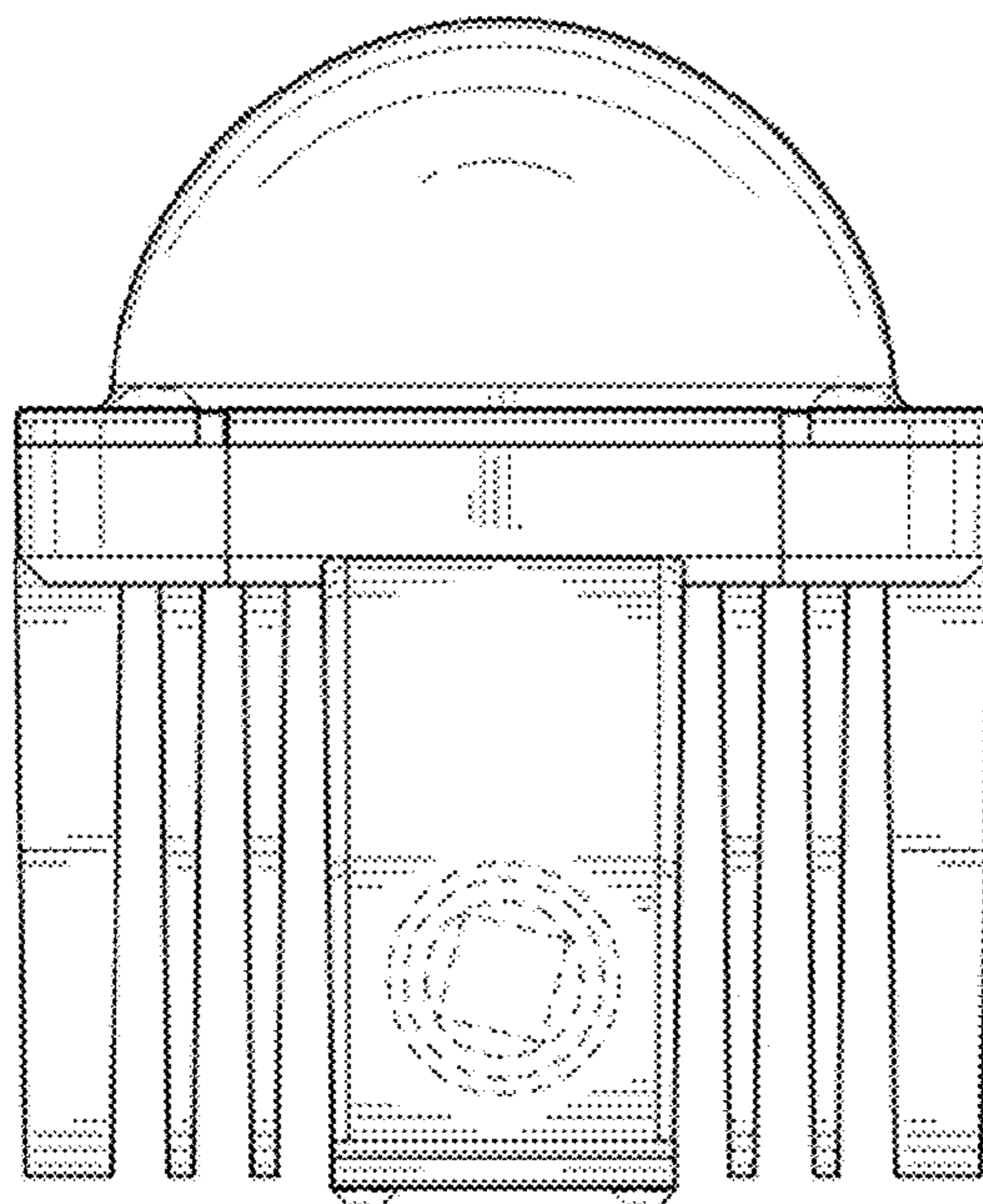


FIG. 8