



US00D762319S

(12) **United States Design Patent**
Urquhart et al.

(10) **Patent No.:** **US D762,319 S**
(45) **Date of Patent:** **** Jul. 26, 2016**

(54) **LIGHTING FIXTURE FOR BANNERS AND
FLAGS**

(71) Applicants: **Alex Urquhart**, Surrey BC (CA);
Thomas Eisner, Kolsass (AT)

(72) Inventors: **Alex Urquhart**, Surrey BC (CA);
Thomas Eisner, Kolsass (AT)

(**) Term: **14 Years**

(21) Appl. No.: **29/516,630**

(22) Filed: **Feb. 4, 2015**

(30) **Foreign Application Priority Data**

Aug. 5, 2014 (CA) 158020

(51) **LOC (10) Cl.** **26-05**

(52) **U.S. Cl.**
USPC **D26/67; D26/92**

(58) **Field of Classification Search**

USPC D26/51, 63, 67-70, 85, 87, 92

CPC F21S 6/004; F21S 6/005; F21S 8/08;
F21S 8/081; F21S 8/083; F21S 8/088; F21S
9/03; F21S 9/032; F21S 9/035; F21S 9/037;
F21W 2131/109; F21W 2111/023; F21V
21/0824

See application file for complete search history.

(56) **References Cited**

U.S. PATENT DOCUMENTS

D146,982 S * 6/1947 Phillips D12/44
D190,283 S 5/1961 Turner

(Continued)

FOREIGN PATENT DOCUMENTS

CA 2463328 C 5/2006
CA 2623668 A1 4/2007

(Continued)

Primary Examiner — Clare E Heflin

(57) **CLAIM**

The ornamental design for a lighting fixture for banners and flags, as shown and described.

DESCRIPTION

FIG. 1 is a perspective view of a first embodiment of the design shown in its environment;

FIG. 2 is a right side view of the embodiment of FIG. 1;

FIG. 3 is a left side view of the embodiment of FIG. 1;

FIG. 4 is a front view of the embodiment of FIG. 1;

FIG. 5 is a rear view of the embodiment of FIG. 1;

FIG. 6 is a top view of the embodiment of FIG. 1;

FIG. 7 is a bottom view of the embodiment of FIG. 1;

FIG. 8 is a second perspective view of the embodiment of FIG. 1;

FIG. 9 is a perspective view of the embodiment of FIG. 1 with the arm in an alternate position;

FIG. 10 is a perspective view of a second embodiment of the design having no transformer and fewer lights than the embodiment of FIGS. 1-8;

FIG. 11 is a right side view of the embodiment of FIG. 10;

FIG. 12 is a left side view of the embodiment of FIG. 10;

FIG. 13 is a front view of the embodiment of FIG. 10;

FIG. 14 is a rear view of the embodiment of FIG. 10;

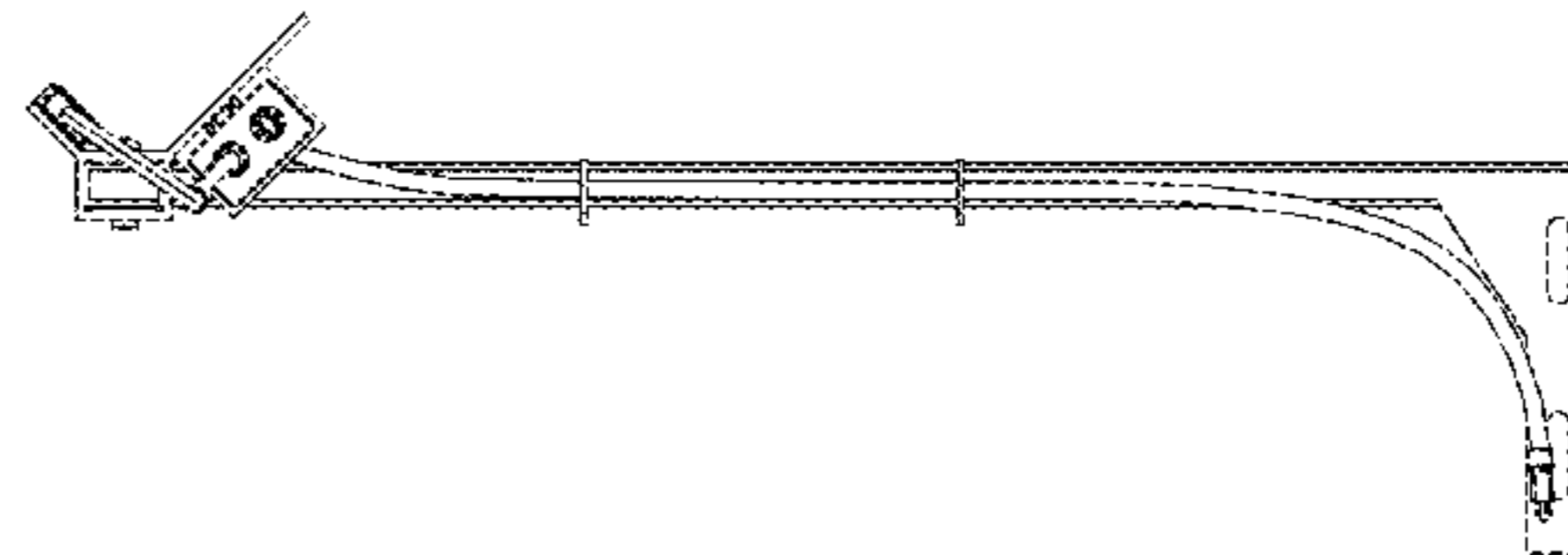
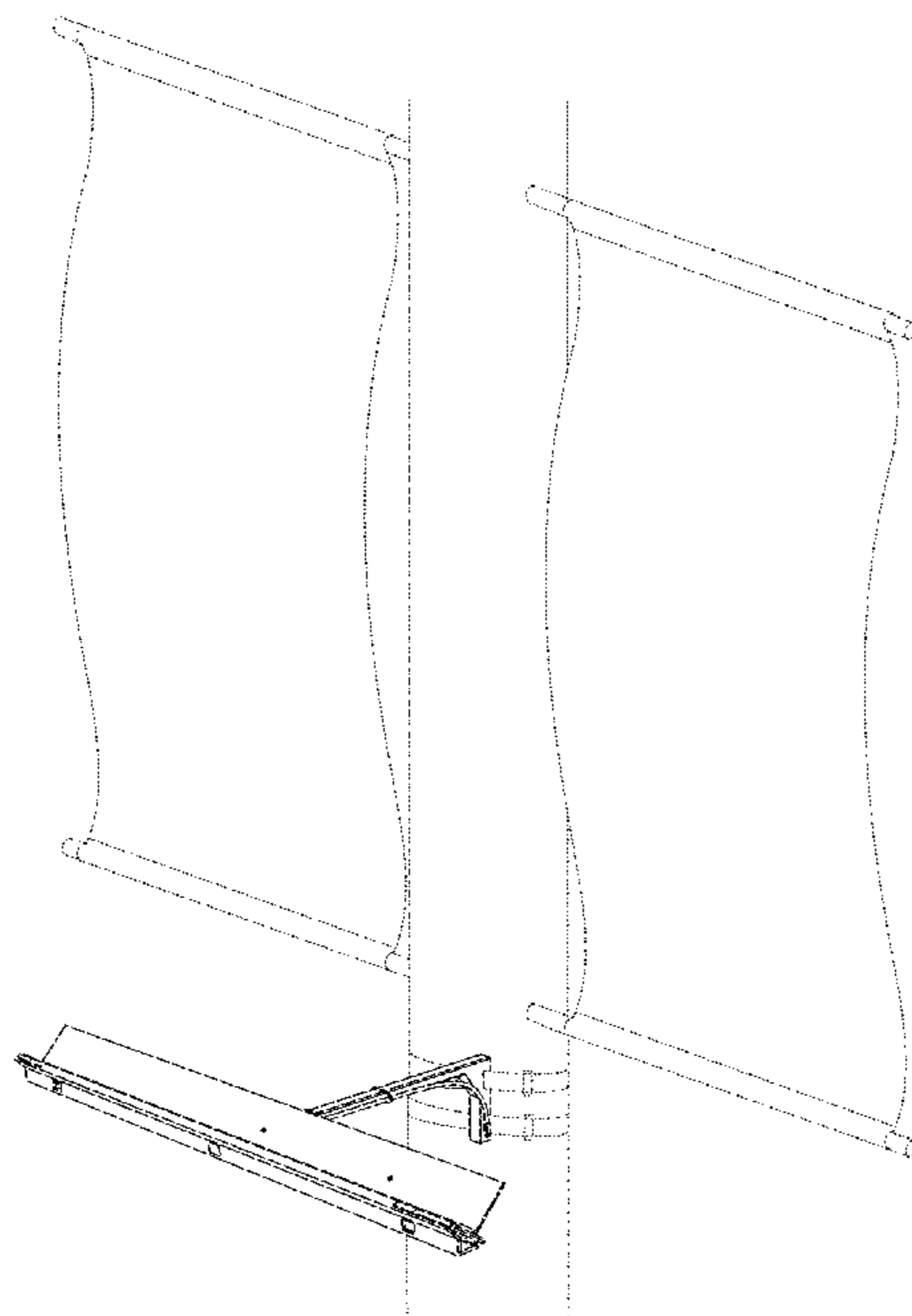
FIG. 15 is a top view of the embodiment of FIG. 10;

FIG. 16 is a bottom view of the embodiment of FIG. 10; and,

FIG. 17 is a second perspective view of the embodiment of FIG. 10.

The broken lines shown in FIG. 1 of the drawings depict environment only and form no part of the claimed design.

1 Claim, 12 Drawing Sheets



(56)

References Cited

U.S. PATENT DOCUMENTS

D220,580 S * 4/1971 Edenberg D26/80
 D226,626 S * 4/1973 Sundstrom D26/80
 3,752,975 A 8/1973 Meyer
 4,110,818 A 8/1978 Hempsey
 D287,604 S * 1/1987 Creed D19/91
 D378,143 S * 2/1997 Kollins D26/60
 5,988,100 A 11/1999 Schmitt
 6,227,683 B1 5/2001 Tukia
 6,447,150 B1 9/2002 Jen et al.
 6,637,718 B2 10/2003 Wilson
 6,698,122 B1 3/2004 Merenlender
 D521,286 S * 5/2006 Colmenares D26/51
 D535,584 S 1/2007 Garrett
 D537,186 S * 2/2007 Weddell D26/80
 7,217,015 B2 5/2007 Cocciardi
 7,275,495 B2 10/2007 Lawrence et al.
 D571,716 S * 6/2008 Anderson D13/102
 D609,837 S * 2/2010 Zheng D26/70
 7,699,508 B2 4/2010 Schroeder
 D637,335 S * 5/2011 Bembridge D26/69
 D639,479 S * 6/2011 Cortes D26/67

8,069,811 B2 12/2011 Ciaccia
 D653,791 S * 2/2012 Toyohisa D26/80
 8,146,278 B1 4/2012 Grant et al.
 D701,987 S * 4/2014 Ransom D26/51
 D728,839 S * 5/2015 McGowan D26/51
 2004/0083633 A1 5/2004 Mueller
 2005/0083693 A1 4/2005 Garrett
 2008/0013306 A1 1/2008 Guilmette
 2010/0160057 A1 6/2010 Willett
 2012/0113625 A1* 5/2012 Werner F21L 4/08
 362/183
 2012/0281391 A1 11/2012 Bort
 2014/0211459 A1* 7/2014 Toner E04H 12/32
 362/183

FOREIGN PATENT DOCUMENTS

CN 202033996 U 9/2011
 DE 202004007721 U1 8/2004
 EP 1467338 B1 5/2007
 EP 2178071 A1 4/2010
 EP 2400060 A1 12/2011

* cited by examiner

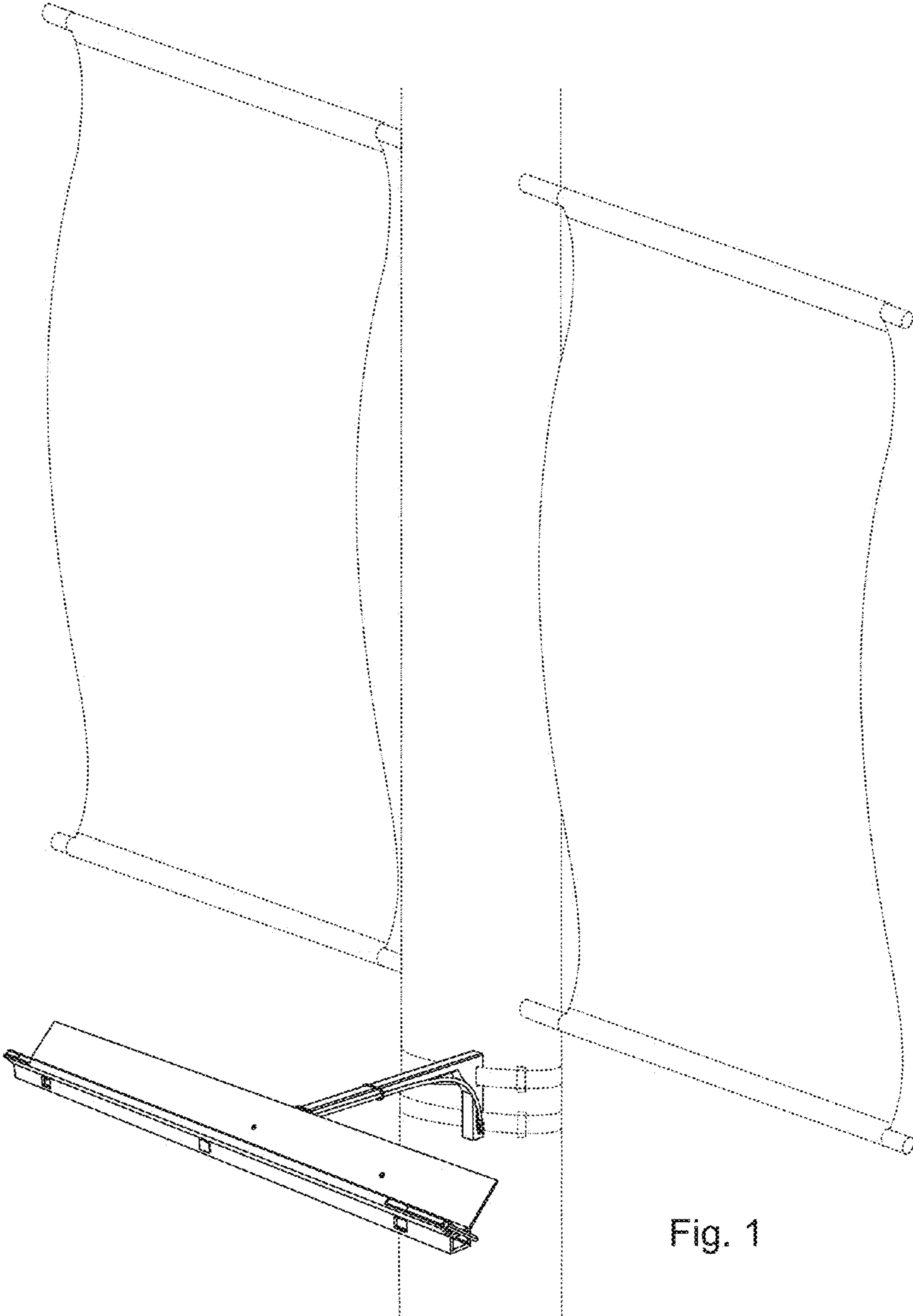


Fig. 1

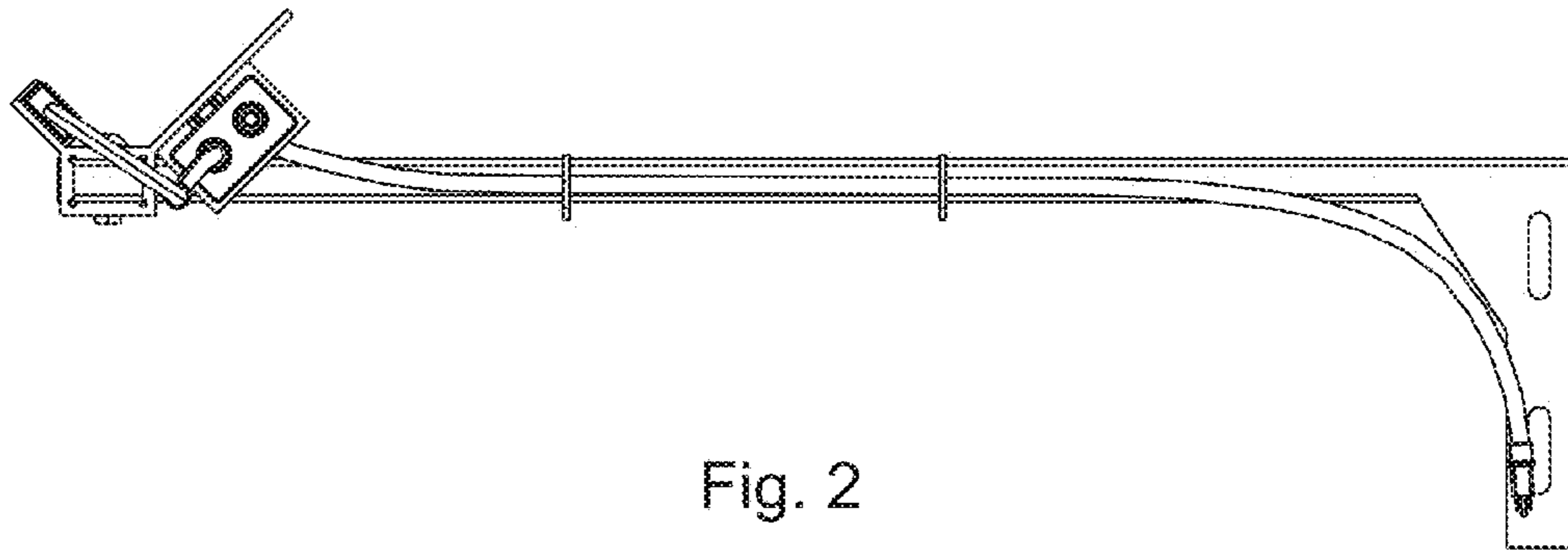


Fig. 2

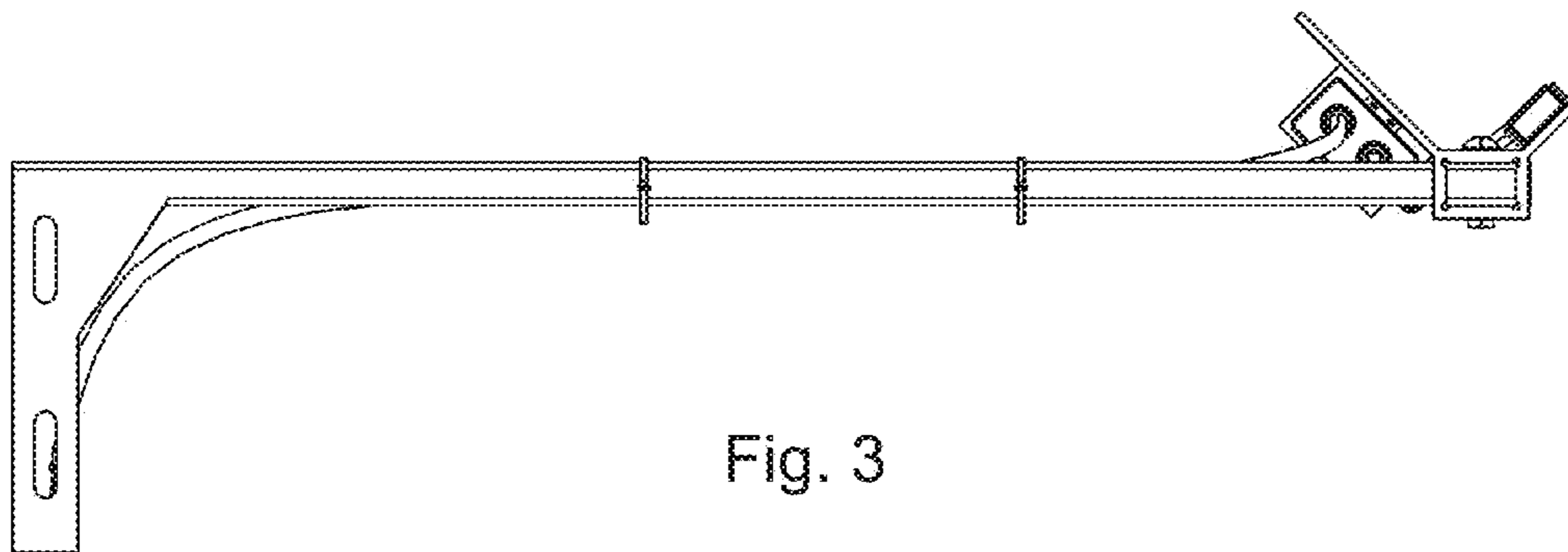


Fig. 3

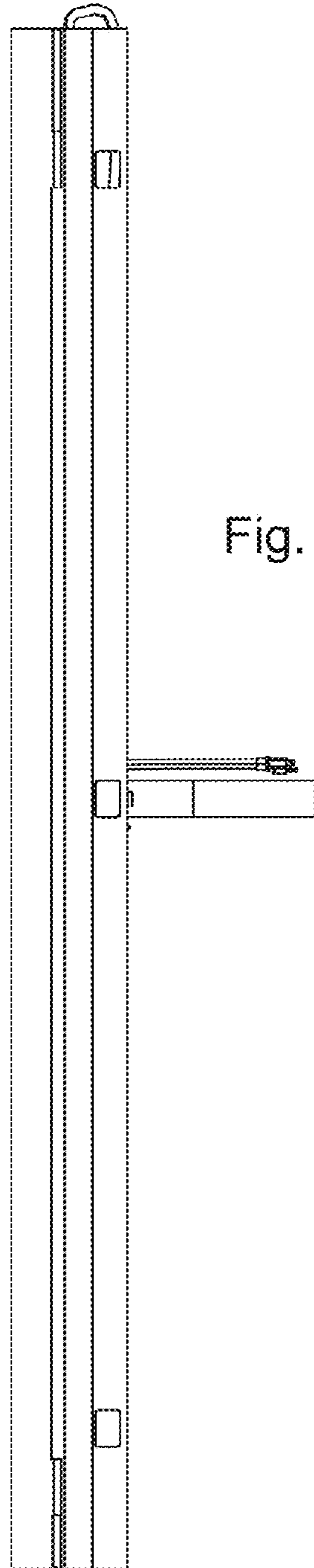


Fig. 4

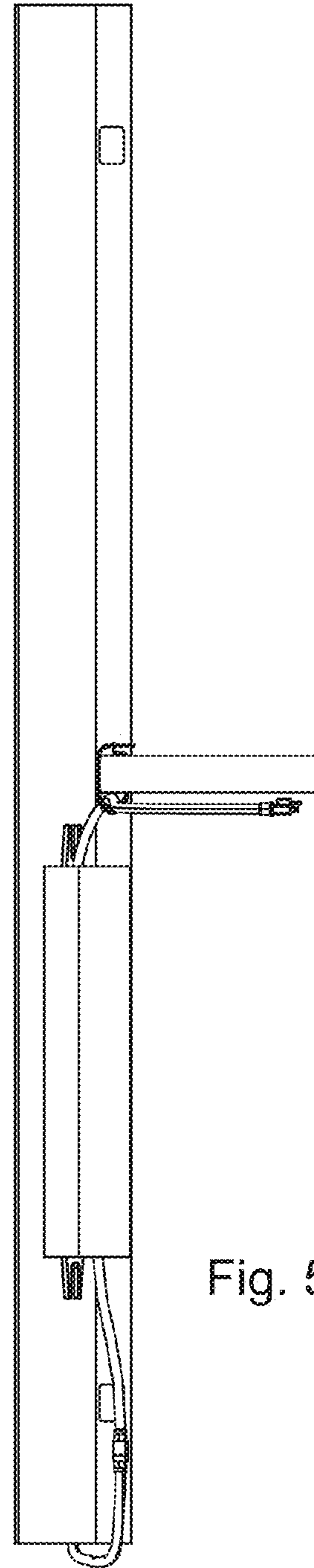


Fig. 5

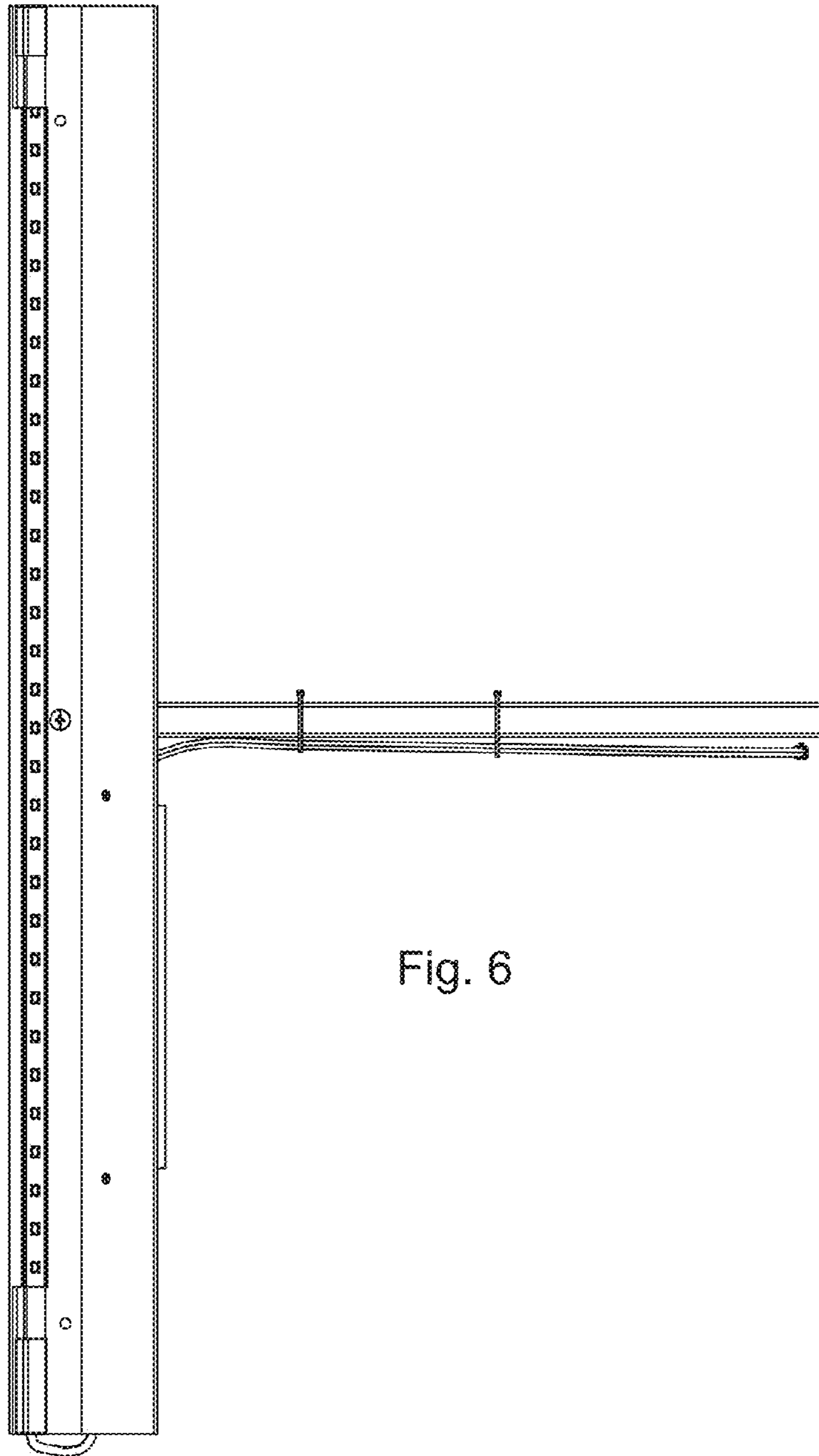


Fig. 6

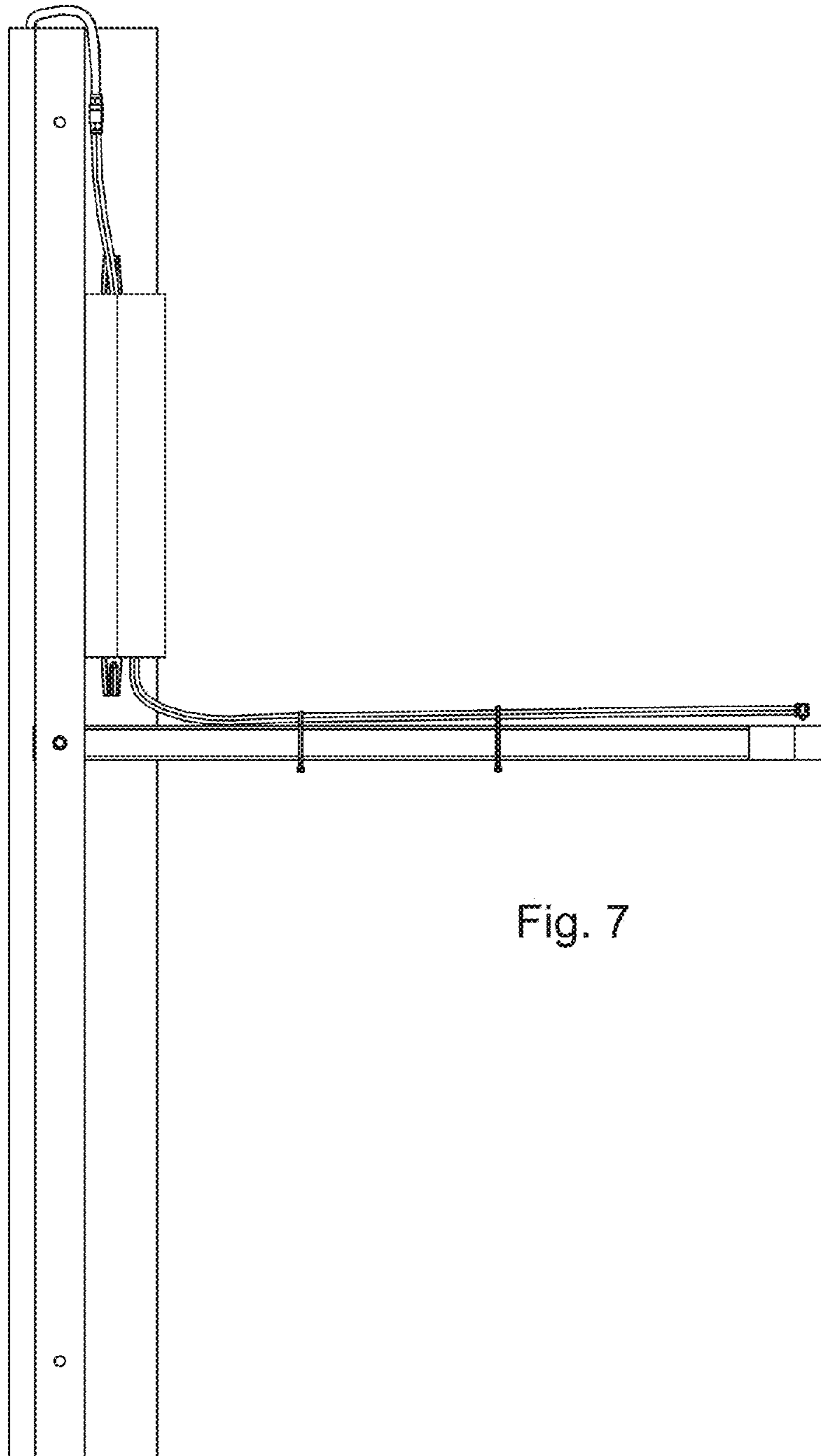


Fig. 7

Fig. 8

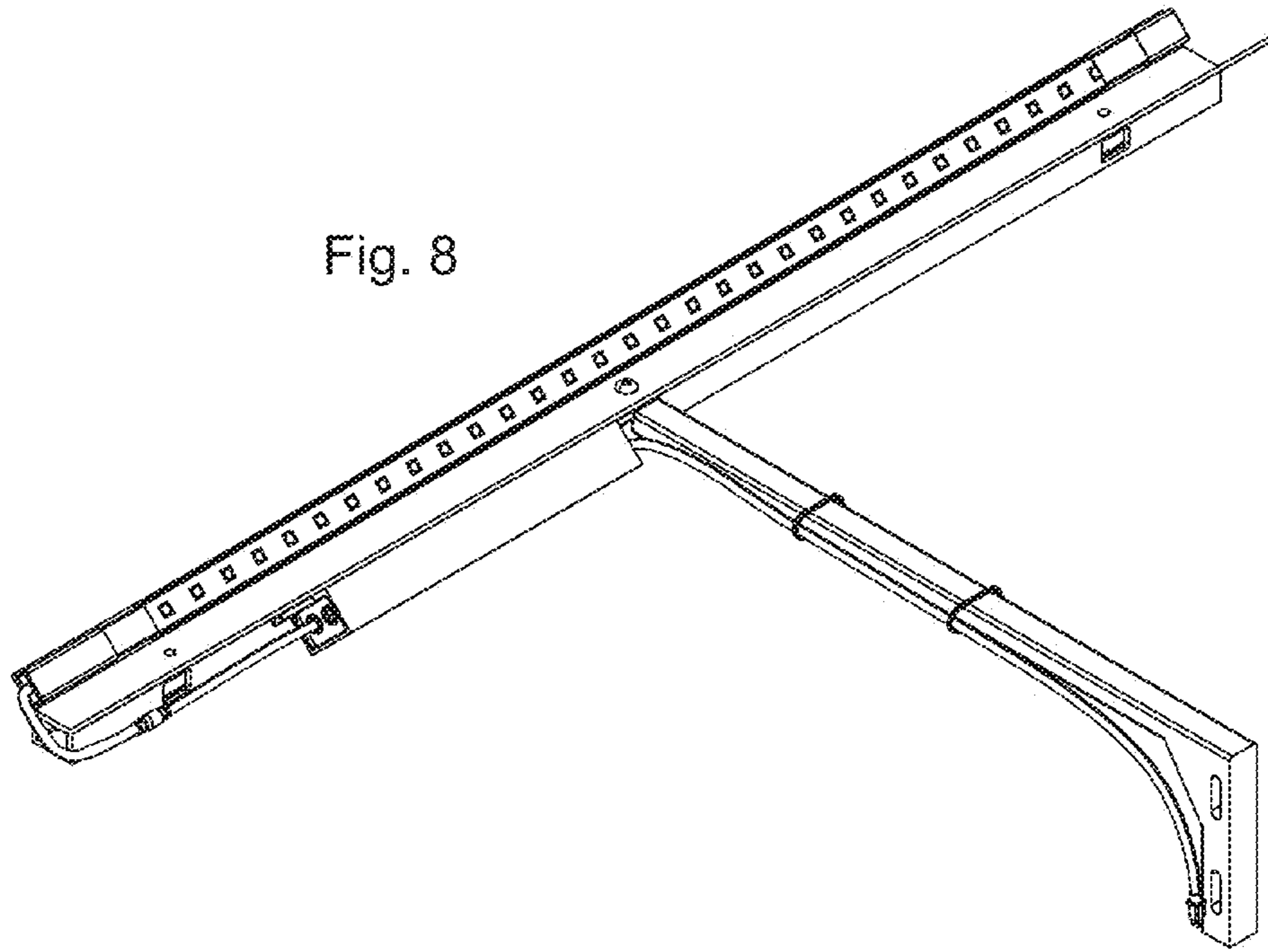


Fig. 9

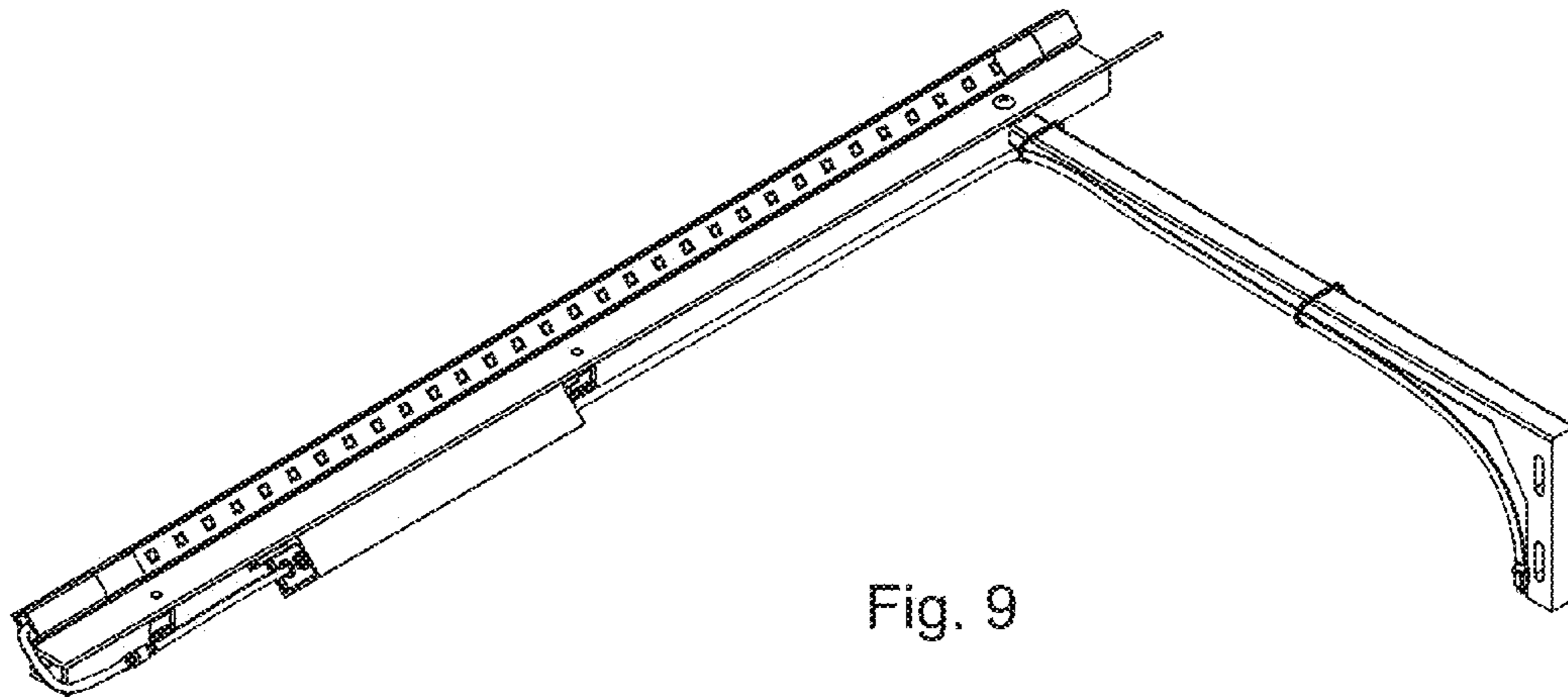
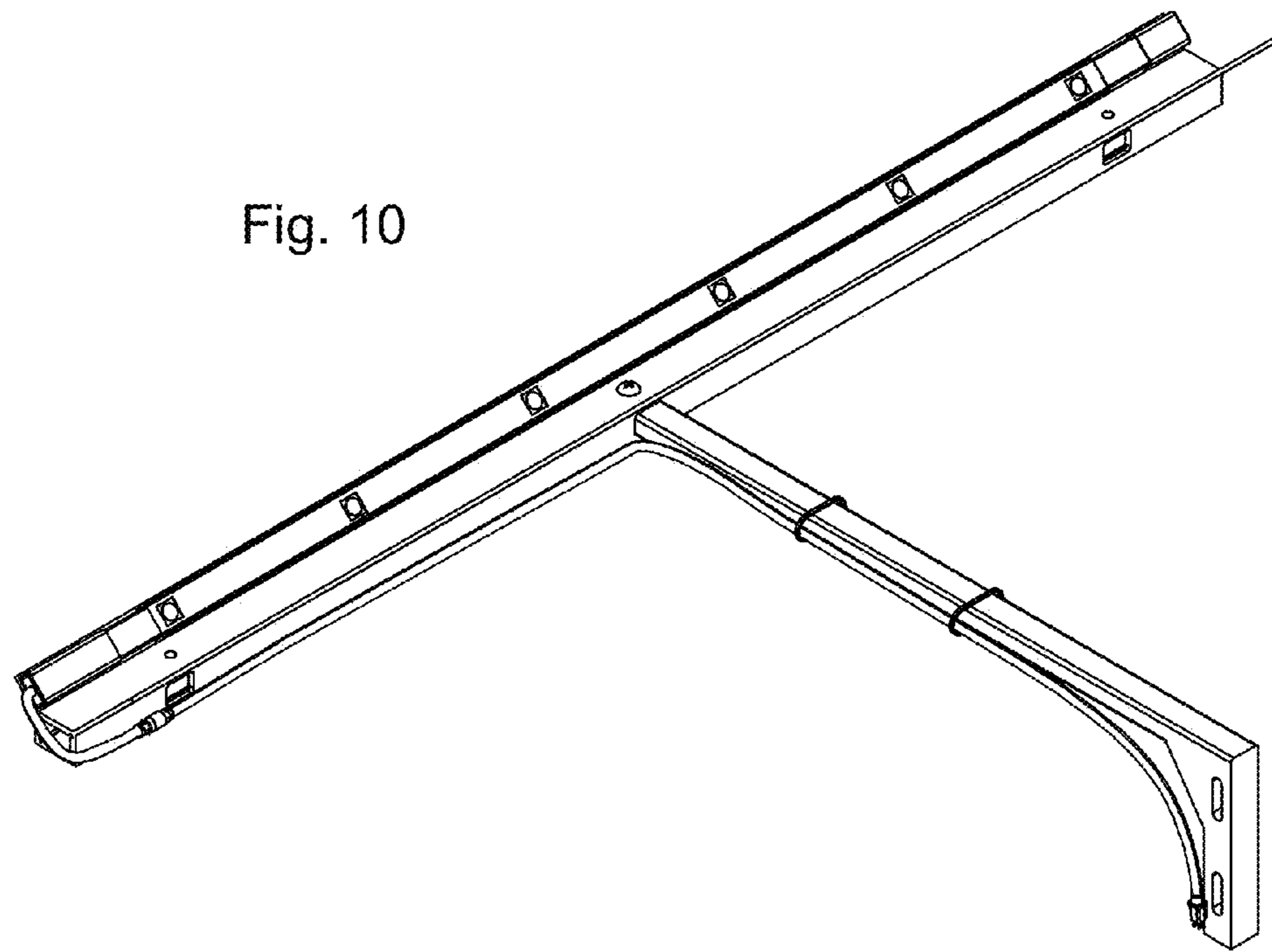
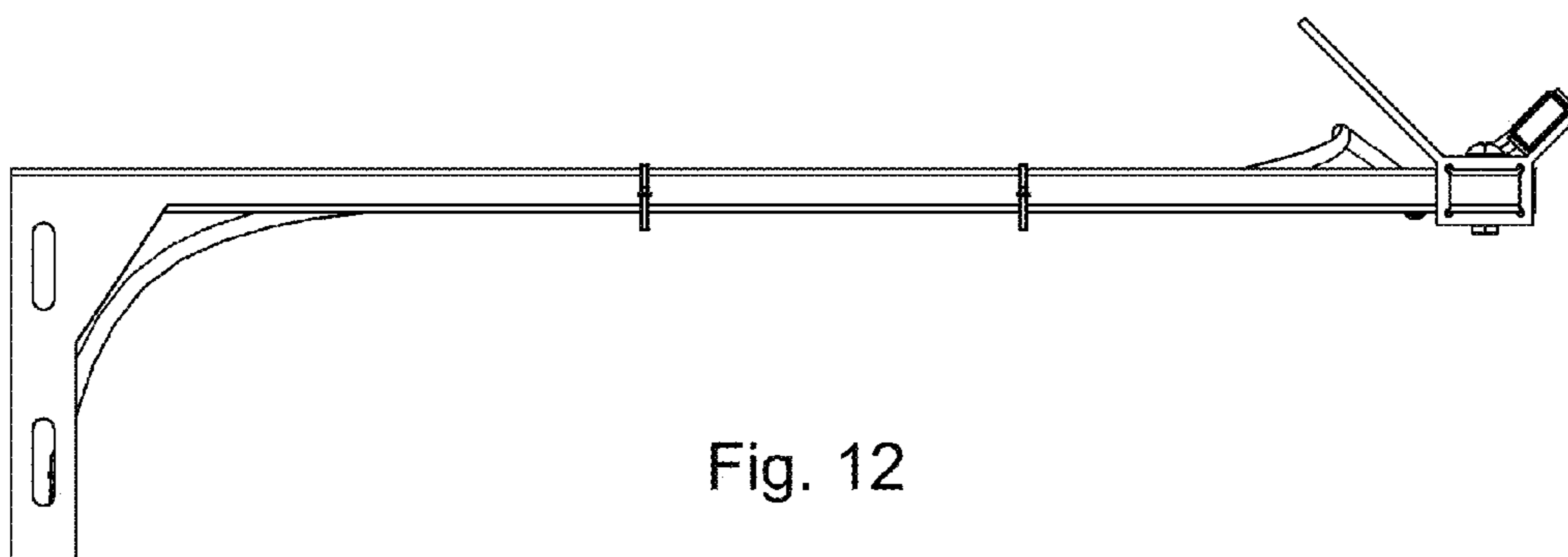
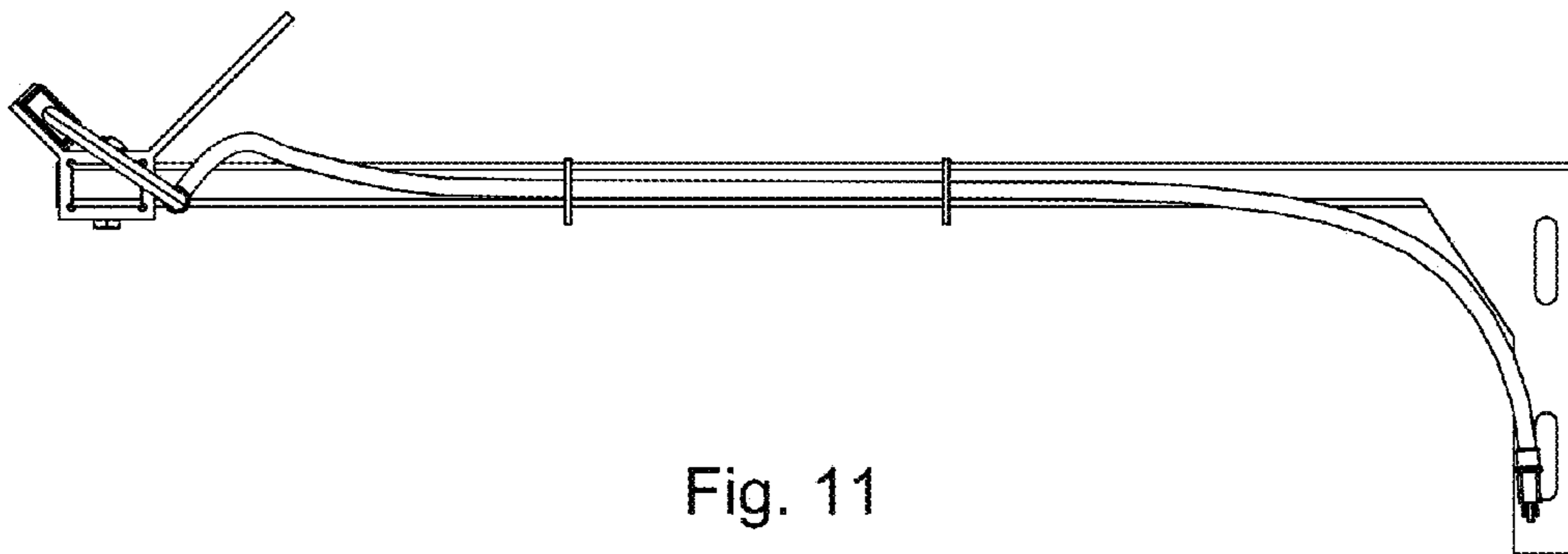


Fig. 10





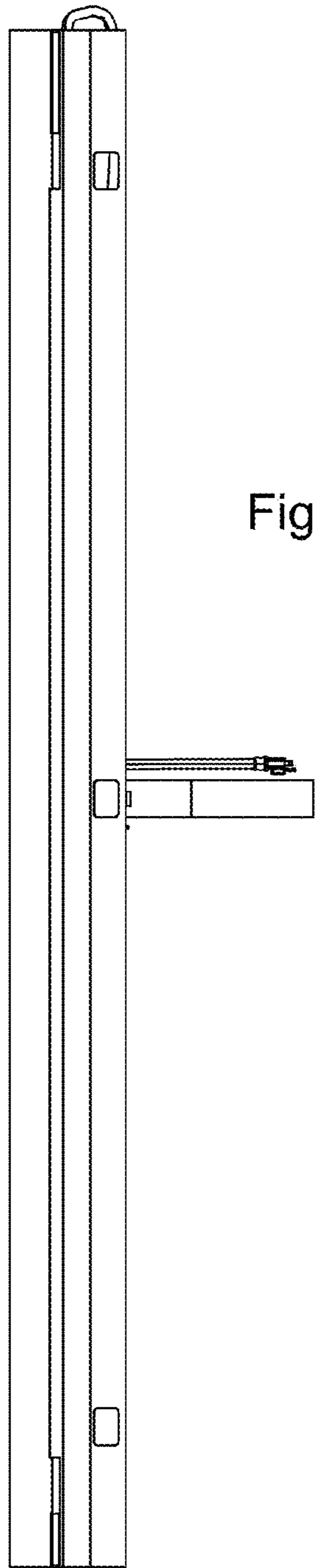


Fig. 13

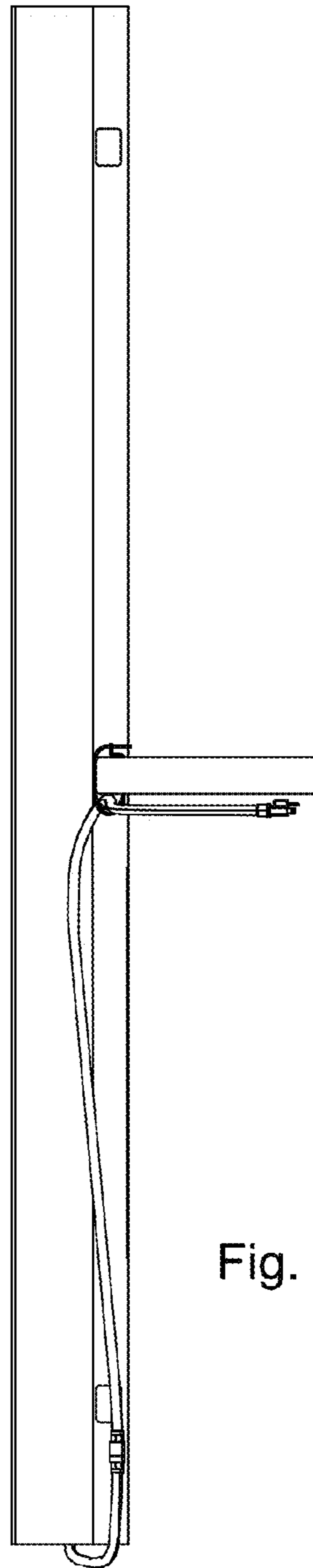


Fig. 14

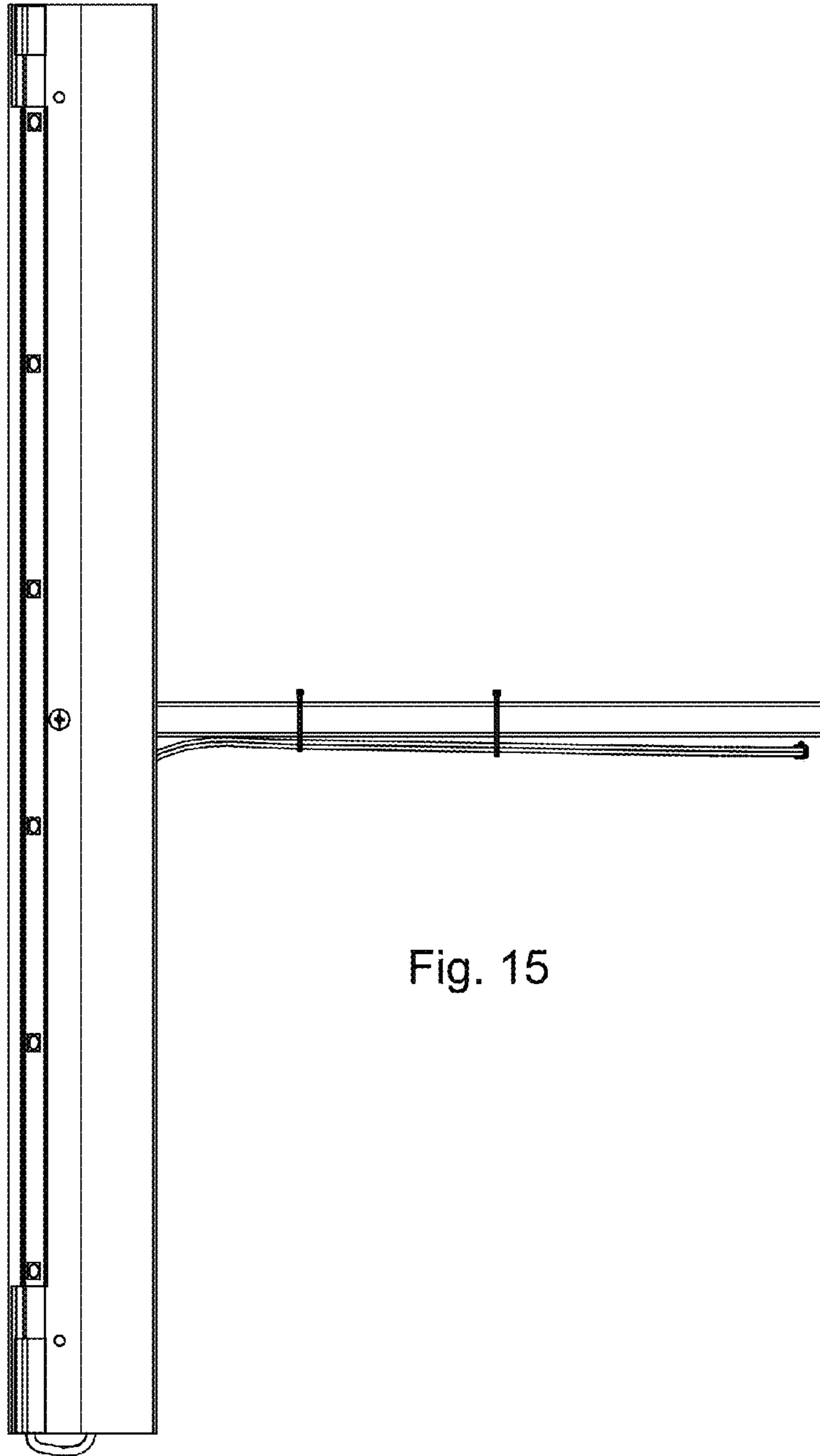


Fig. 15

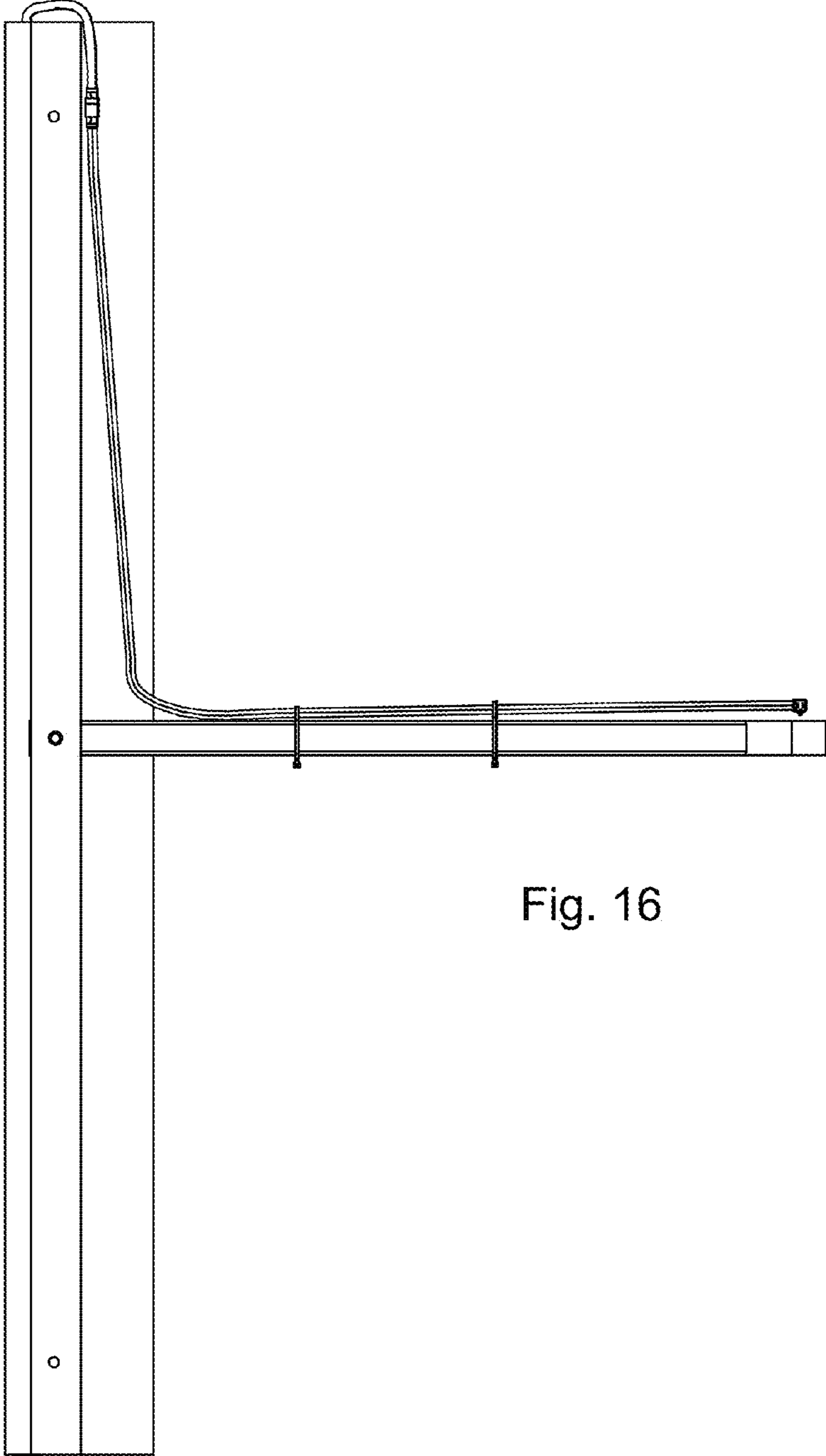


Fig. 16

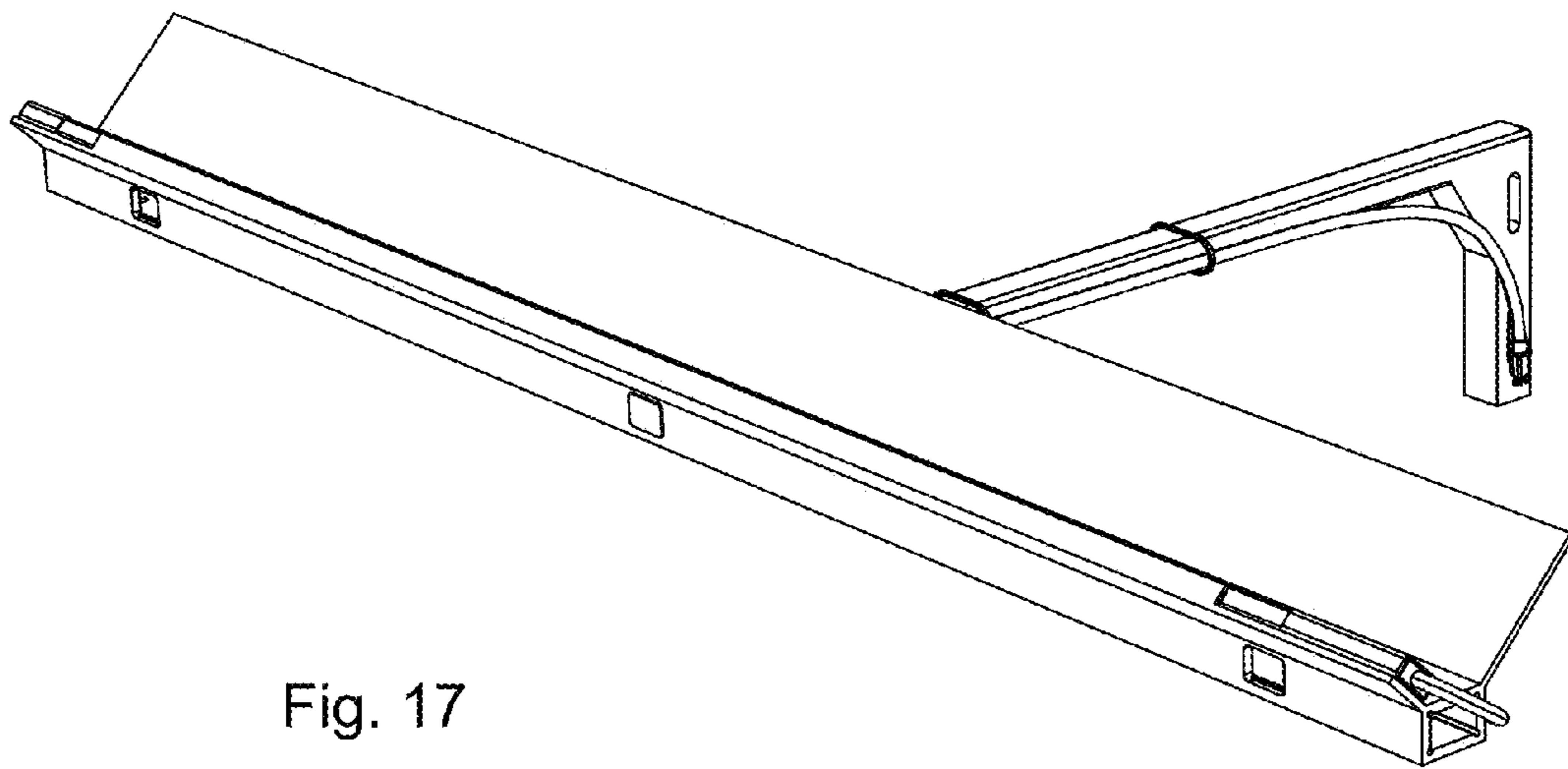


Fig. 17