



US00D762318S

(12) **United States Design Patent**
Gorman et al.

(10) **Patent No.:** **US D762,318 S**
(45) **Date of Patent:** **** Jul. 26, 2016**

(54) **STATIONARY TRACK LIGHT**

(71) Applicant: **General LED, Inc.**, San Antonio, TX
(US)

(72) Inventors: **Aaron Gorman**, New Braunfels, TX
(US); **Emilio Flores**, San Antonio, TX
(US)

(73) Assignee: **General LED, Inc.**, San Antonio, TX
(US)

(**) Term: **14 Years**

(21) Appl. No.: **29/510,285**

(22) Filed: **Nov. 26, 2014**

(51) **LOC (10) Cl.** **26-03**

(52) **U.S. Cl.**
USPC **D26/63**

(58) **Field of Classification Search**
USPC D26/1, 24, 61, 63, 65, 85, 92
CPC F21V 21/14; F21V 15/01; F21V 14/02;
F21V 21/30; F21V 21/00; F21V 14/00;
F21S 8/00; F21S 8/003; F21S 8/043; F21Y
2105/001

See application file for complete search history.

(56) **References Cited**

U.S. PATENT DOCUMENTS

D318,740 S * 7/1991 Layne D26/63
D326,162 S * 5/1992 Price D26/63

D552,779 S * 10/2007 Starck D26/63
D694,925 S * 12/2013 Fukasawa D26/63
D698,058 S * 1/2014 Rashidi D26/63
D700,728 S * 3/2014 Fukasawa D26/63
D745,203 S * 12/2015 Jepson D26/63

* cited by examiner

Primary Examiner — Brian N Vinson

(74) *Attorney, Agent, or Firm* — William H. Quirk; Jesse L. Frizzell; Rosenthal Pauerstein Sandoloski Agather LLP

(57) **CLAIM**

We claim the ornamental design for a stationary track light, as shown and described.

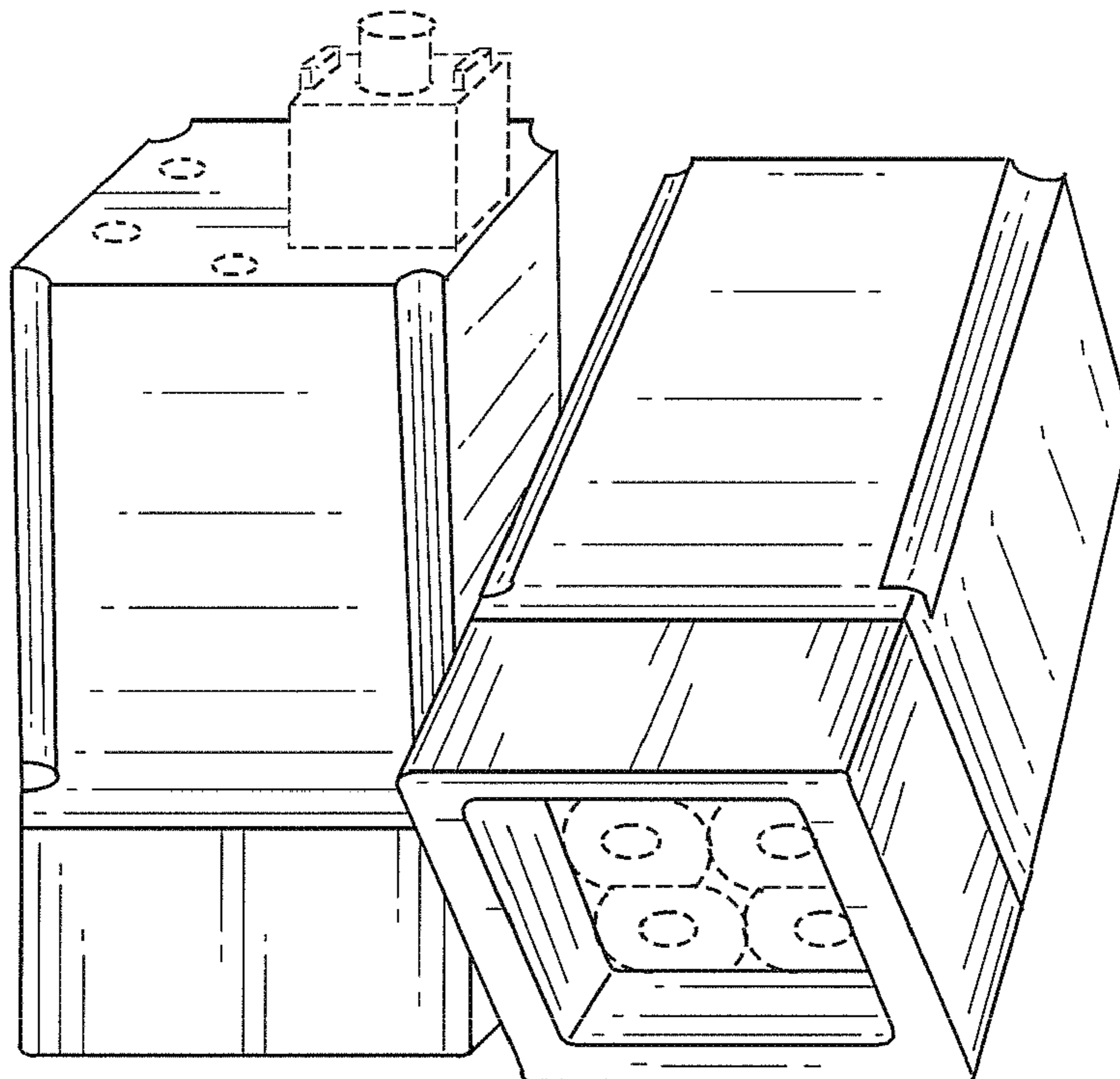
DESCRIPTION

FIG. 1 is a perspective view;
FIG. 2 is a front elevational view;
FIG. 3 is a right side elevational view;
FIG. 4 is a rear elevational view;
FIG. 5 is a left-side elevational view
FIG. 6 is a top plan view; and,
FIG. 7 is a bottom plan view.

The broken line disclosure represents portions of the track light which form no part of the claimed design.

The ornamental design for the stationary track light of the present invention is a light contained in a fixture that is mounted to a track which is generally mounted to the ceiling. The stationary track light can be aimed to illuminate an object that someone wishes to feature by calling attention to it with the light emitted from the stationary track light.

1 Claim, 4 Drawing Sheets



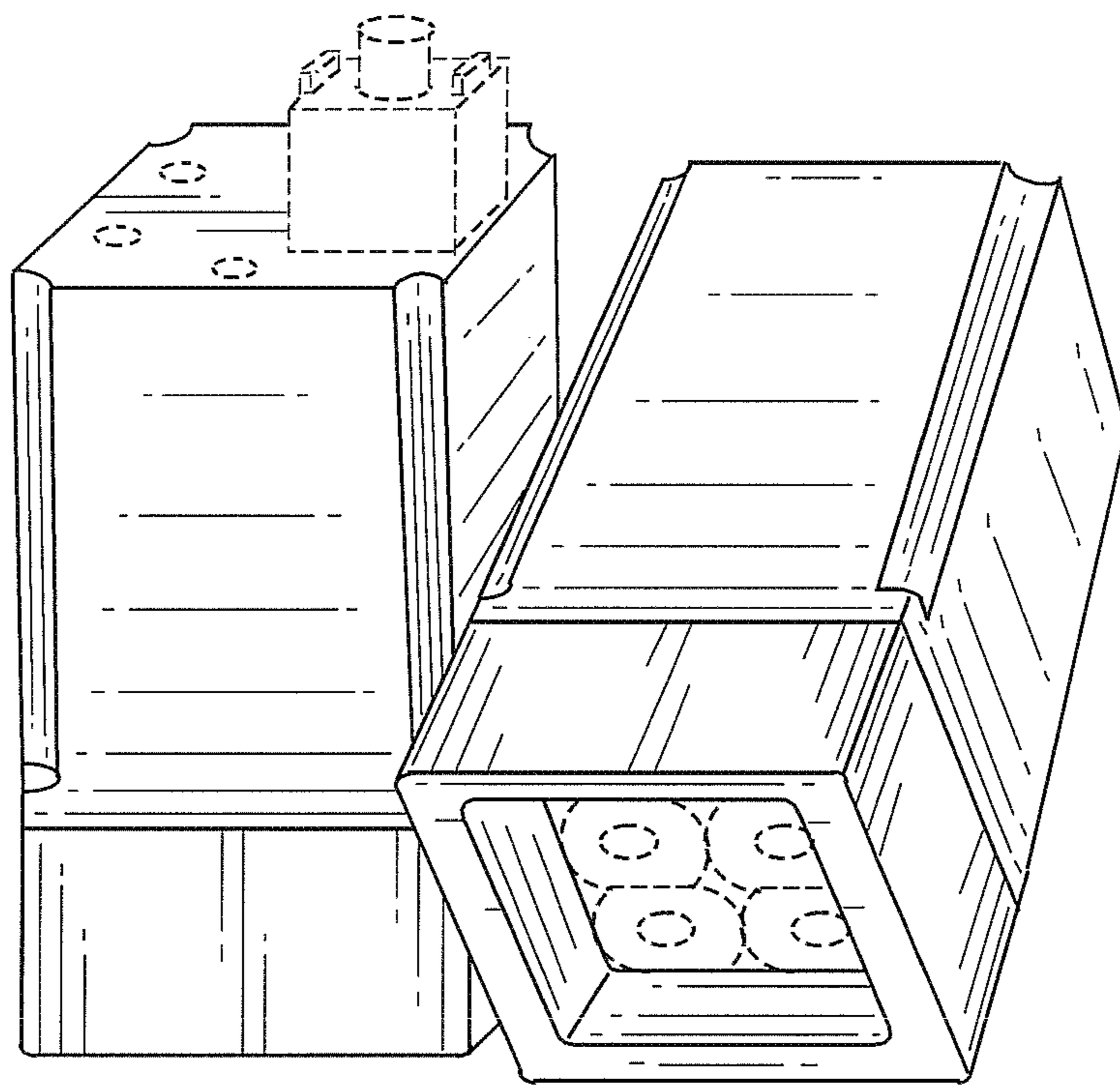


Fig. 1

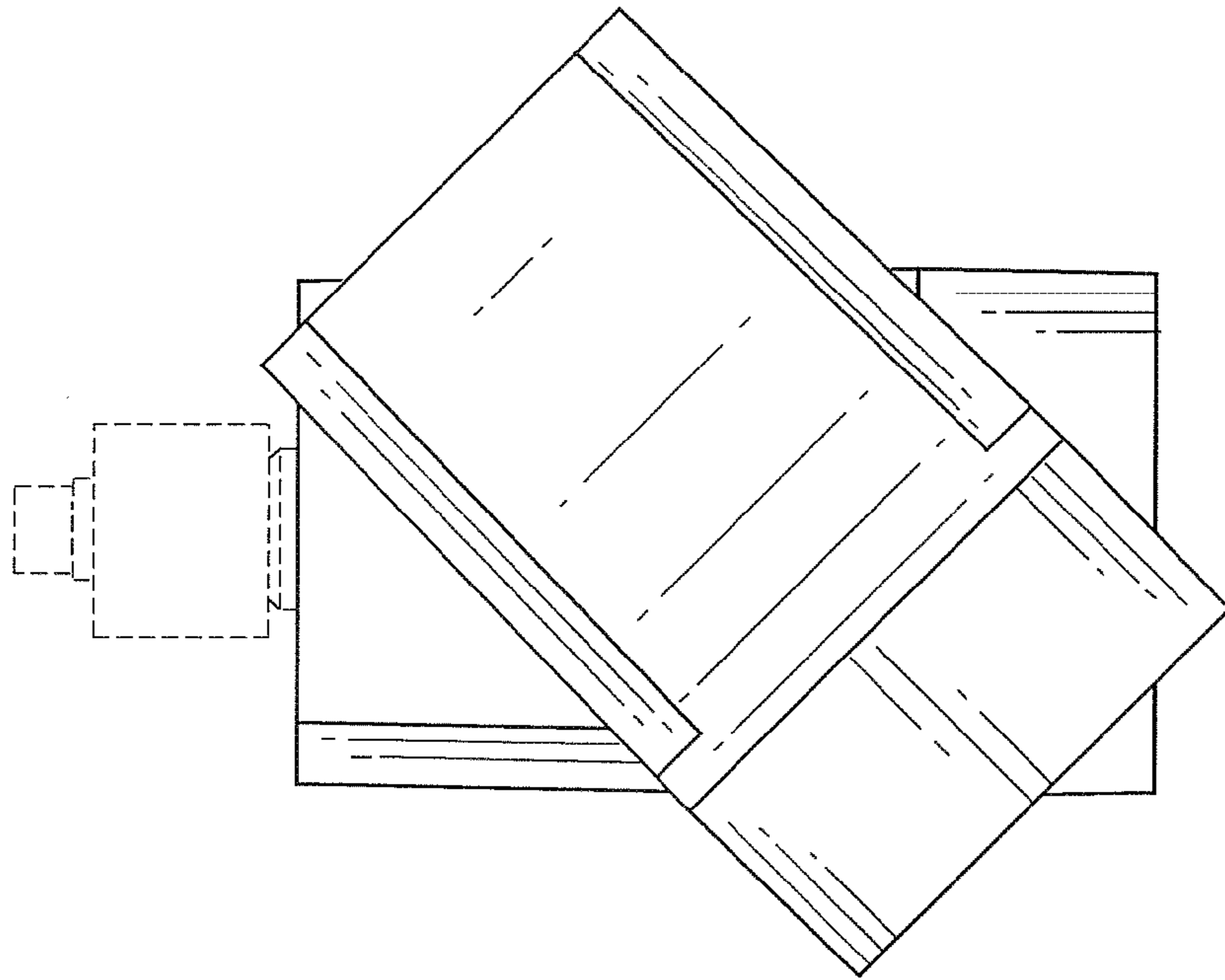


Fig. 3

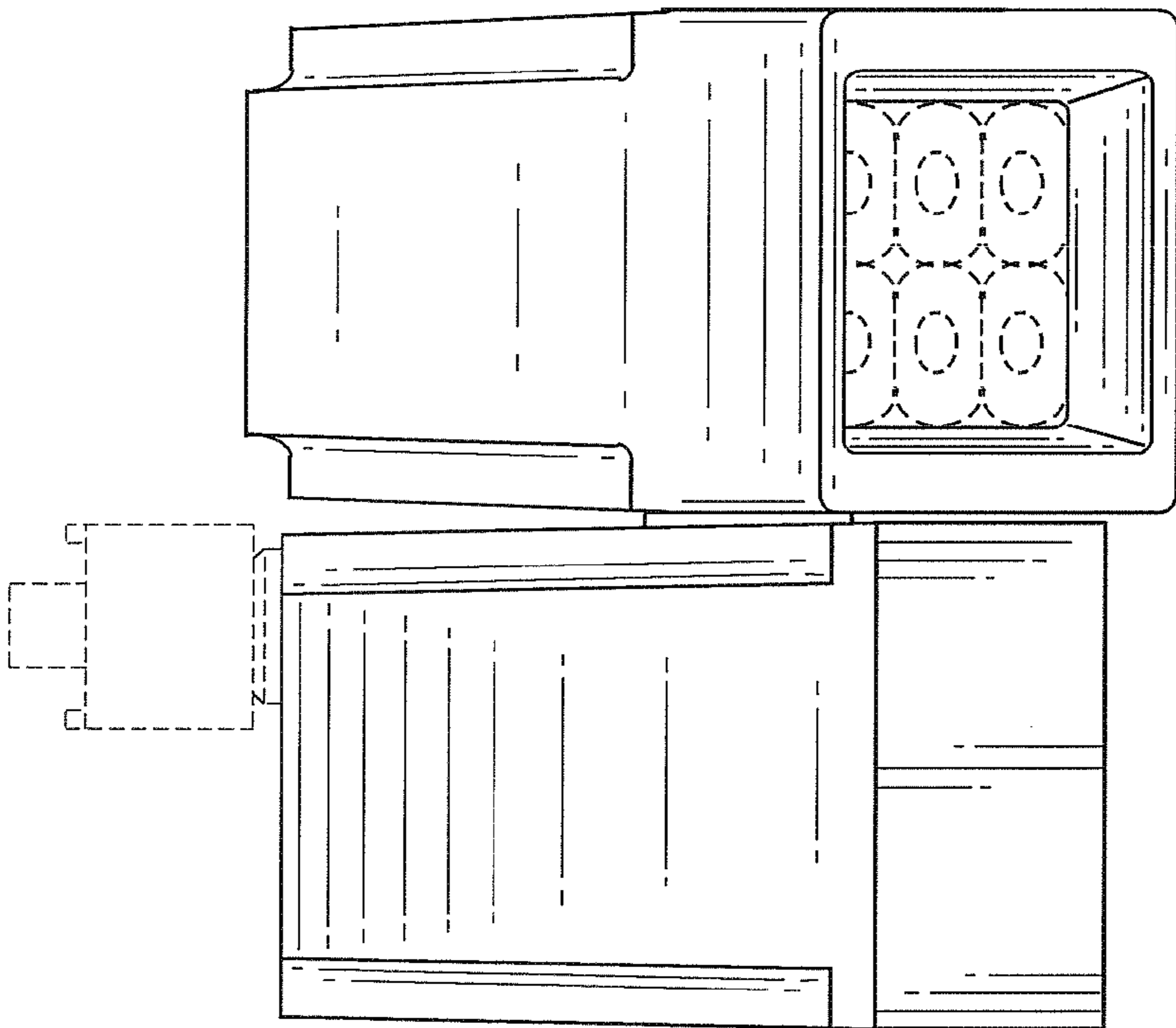


Fig. 2

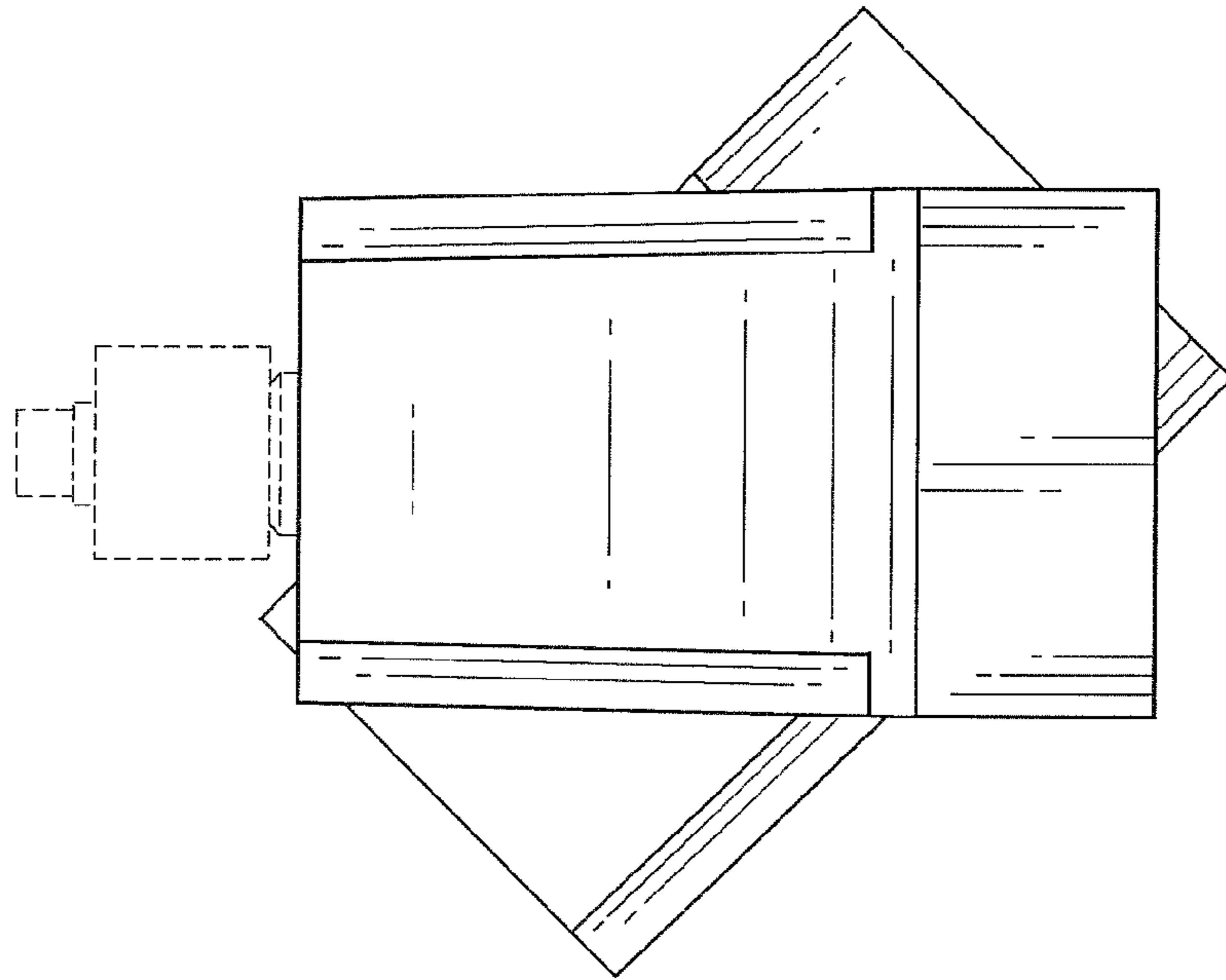


Fig. 5

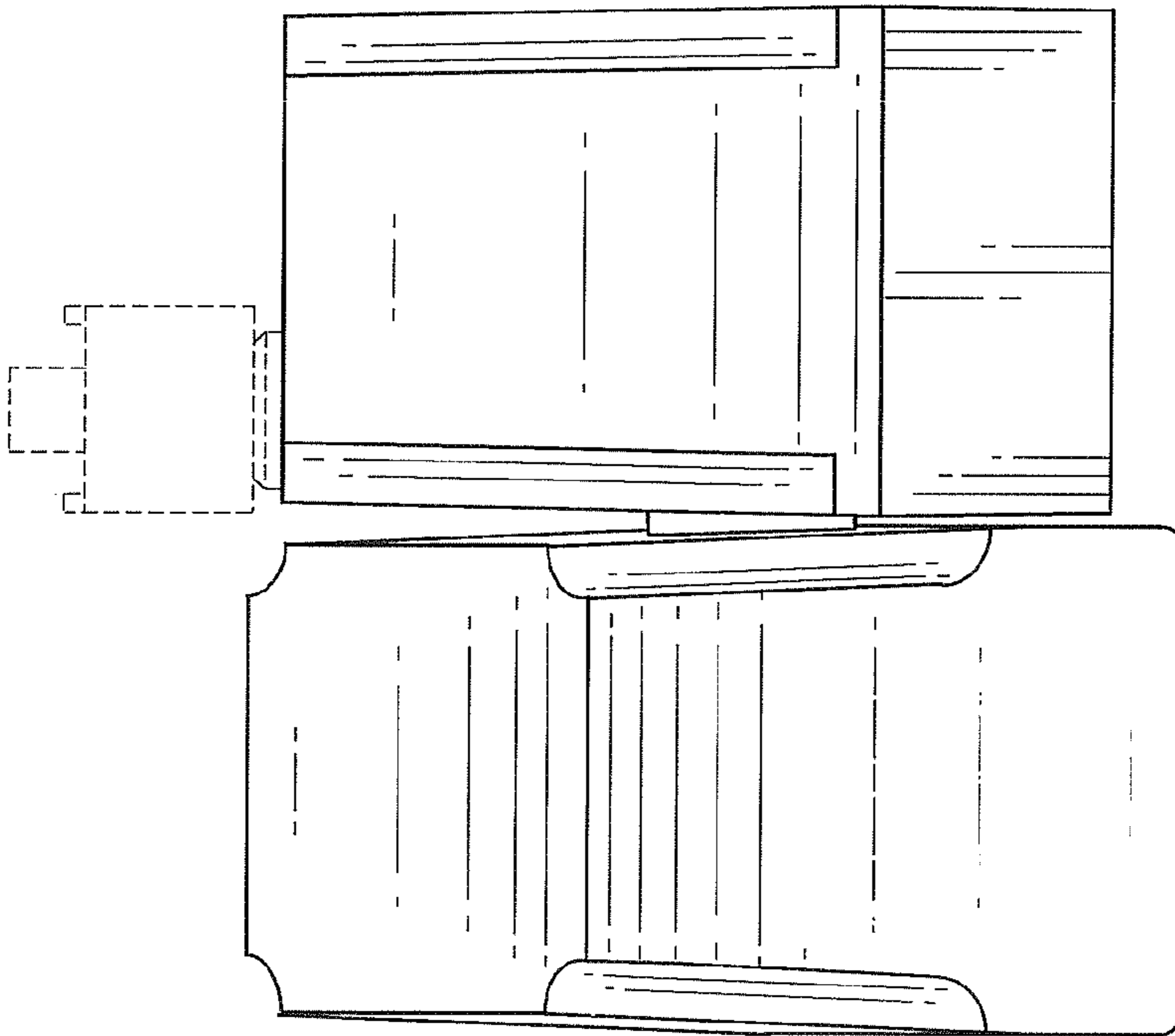


Fig. 4

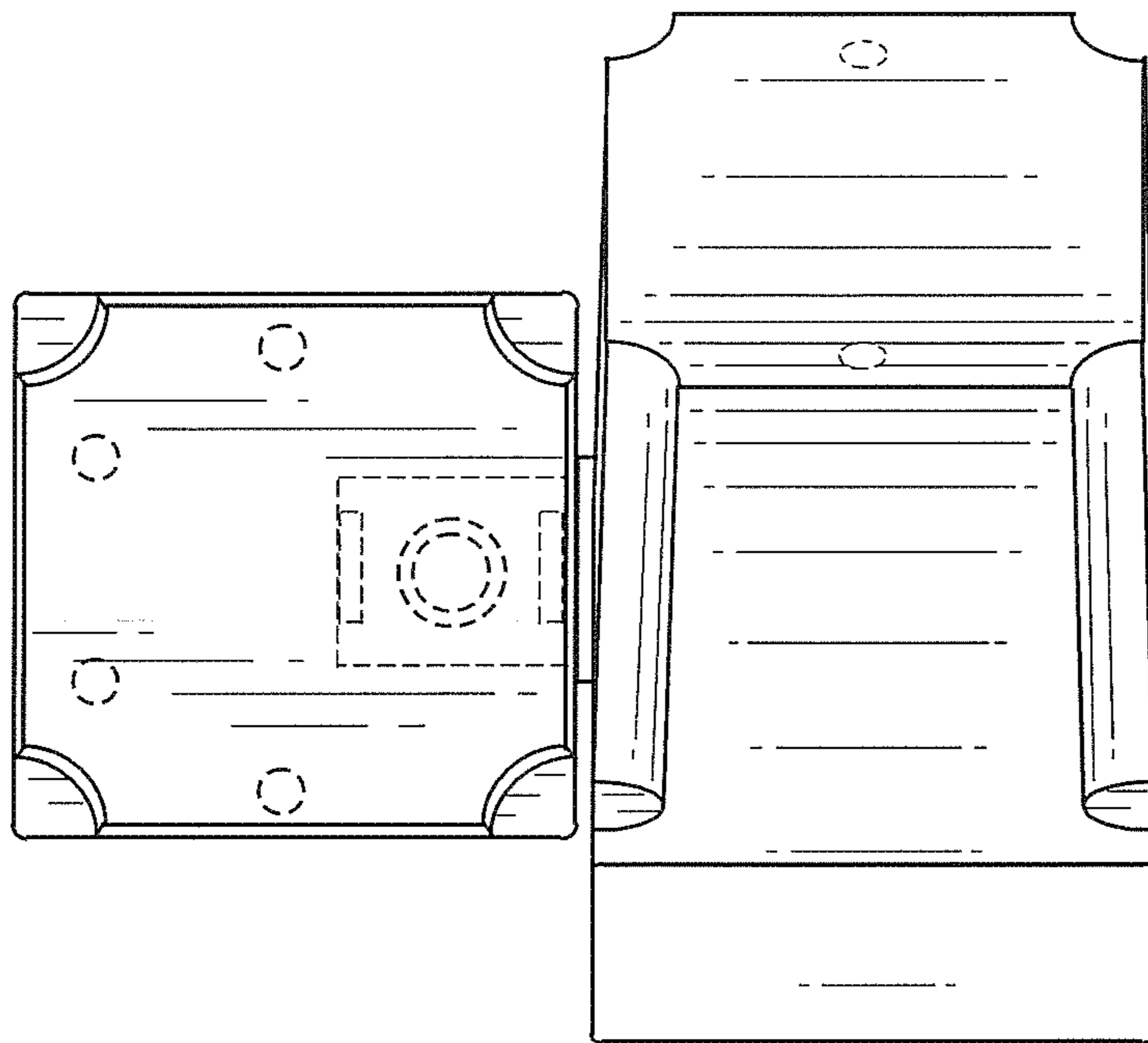


Fig. 6

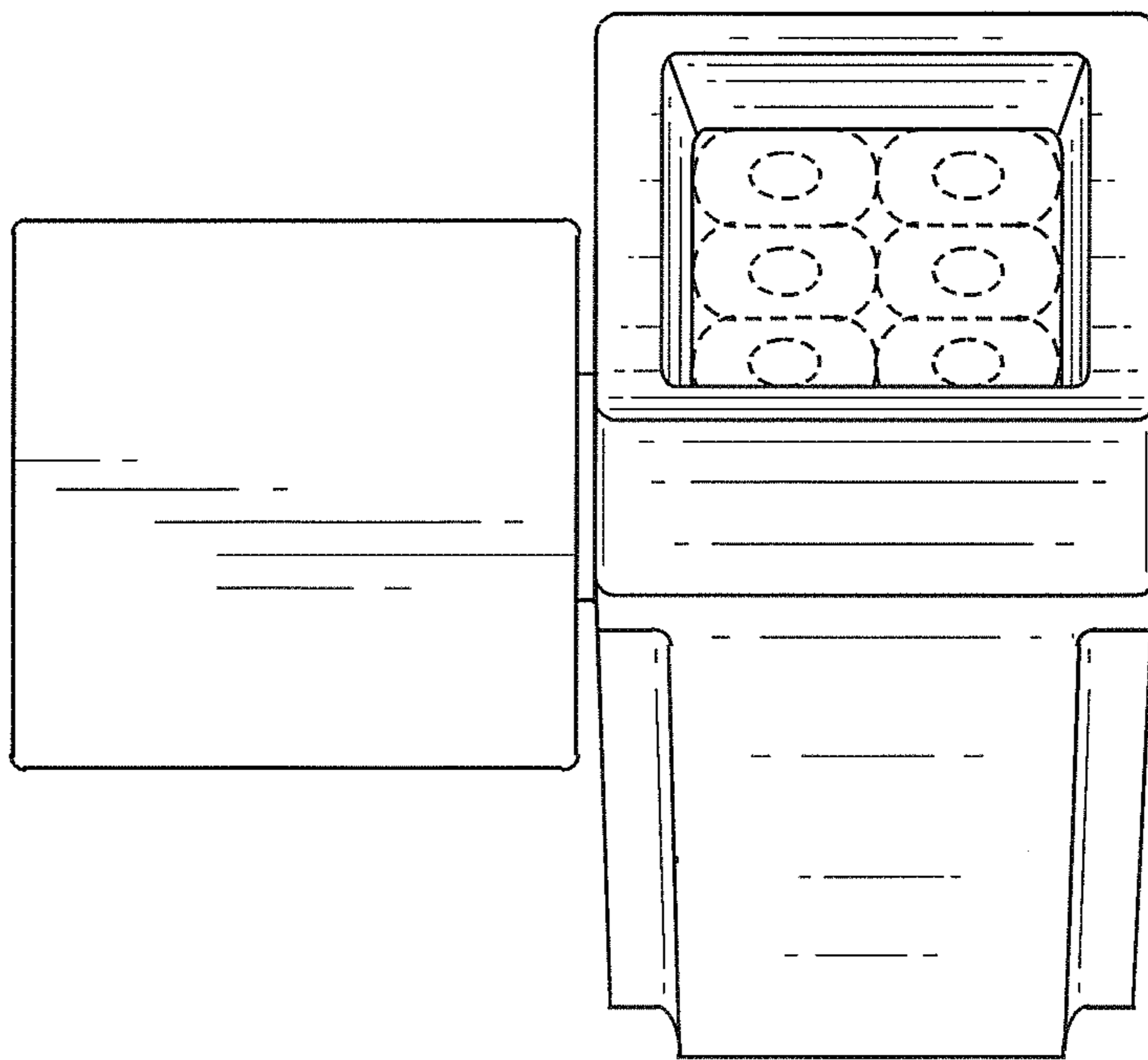


Fig. 7