



US00D762317S

(12) **United States Design Patent**
Ormsbee et al.

(10) **Patent No.:** **US D762,317 S**
(45) **Date of Patent:** **** Jul. 26, 2016**

(54) **HELMET-MOUNTED HEADLAMP**

(71) Applicant: **Nite Ize, Inc.**, Boulder, CO (US)

(72) Inventors: **Bowden Ormsbee**, Longmont, CO (US);
Rex W. Stevens, Longmont, CO (US)

(73) Assignee: **Nite Ize, Inc.**, Boulder, CO (US)

(**) Term: **14 Years**

(21) Appl. No.: **29/513,618**

(22) Filed: **Jan. 2, 2015**

(51) **LOC (10) Cl.** **26-02**

(52) **U.S. Cl.**
USPC **D26/39**

(58) **Field of Classification Search**

USPC D26/39, 37, 38, 46, 51; 362/103, 105,
362/106, 108, 187, 158, 183, 184, 194-196,
362/200-208, 253

CPC F21L 2003/00; F21L 4/00; F21L 4/005;
F21L 4/02; F21L 4/025; F21L 4/027; F21L
4/04; F21L 4/08; F21L 2005/00; F21L 7/00;
F21L 11/00; F21L 13/00; F21L 13/04; F21L
13/08; F21L 14/02; F21L 17/00

See application file for complete search history.

(56) **References Cited**

U.S. PATENT DOCUMENTS

D560,008 S * 1/2008 Poon D26/39
D573,736 S * 7/2008 Poon D26/39
D577,842 S * 9/2008 Kumthampinij D26/39
D603,539 S * 11/2009 Shiu D26/39
D650,103 S * 12/2011 Lee D26/39

D658,323 S * 4/2012 Freschl D26/39
D707,867 S * 6/2014 Kotsis D26/39
D743,596 S * 11/2015 Ormsbee D26/39
D747,021 S * 1/2016 Hunnewell D26/39
2015/0192282 A1 * 7/2015 Ormsbee F21V 21/084
315/307

* cited by examiner

Primary Examiner — Ian Simmons

Assistant Examiner — Carissa C Fitts

(74) *Attorney, Agent, or Firm* — Haynes and Boone LLP;
Robert P. Ziemian

(57) **CLAIM**

The ornamental design for a helmet-mounted headlamp, as shown and described.

DESCRIPTION

FIG. 1 is a front perspective view of a helmet-mounted headlamp;
FIG. 2 is a back perspective view of the helmet-mounted headlamp of FIG. 1;
FIG. 3 is a front view of the helmet-mounted headlamp of FIG. 1;
FIG. 4 is a back view of the helmet-mounted headlamp of FIG. 1;
FIG. 5 is a left side view of the helmet-mounted headlamp of FIG. 1;
FIG. 6 is a right side view of the helmet-mounted headlamp of FIG. 1;
FIG. 7 is a top view of the helmet-mounted headlamp of FIG. 1; and,
FIG. 8 is a bottom view of the helmet-mounted headlamp of FIG. 1.

1 Claim, 7 Drawing Sheets

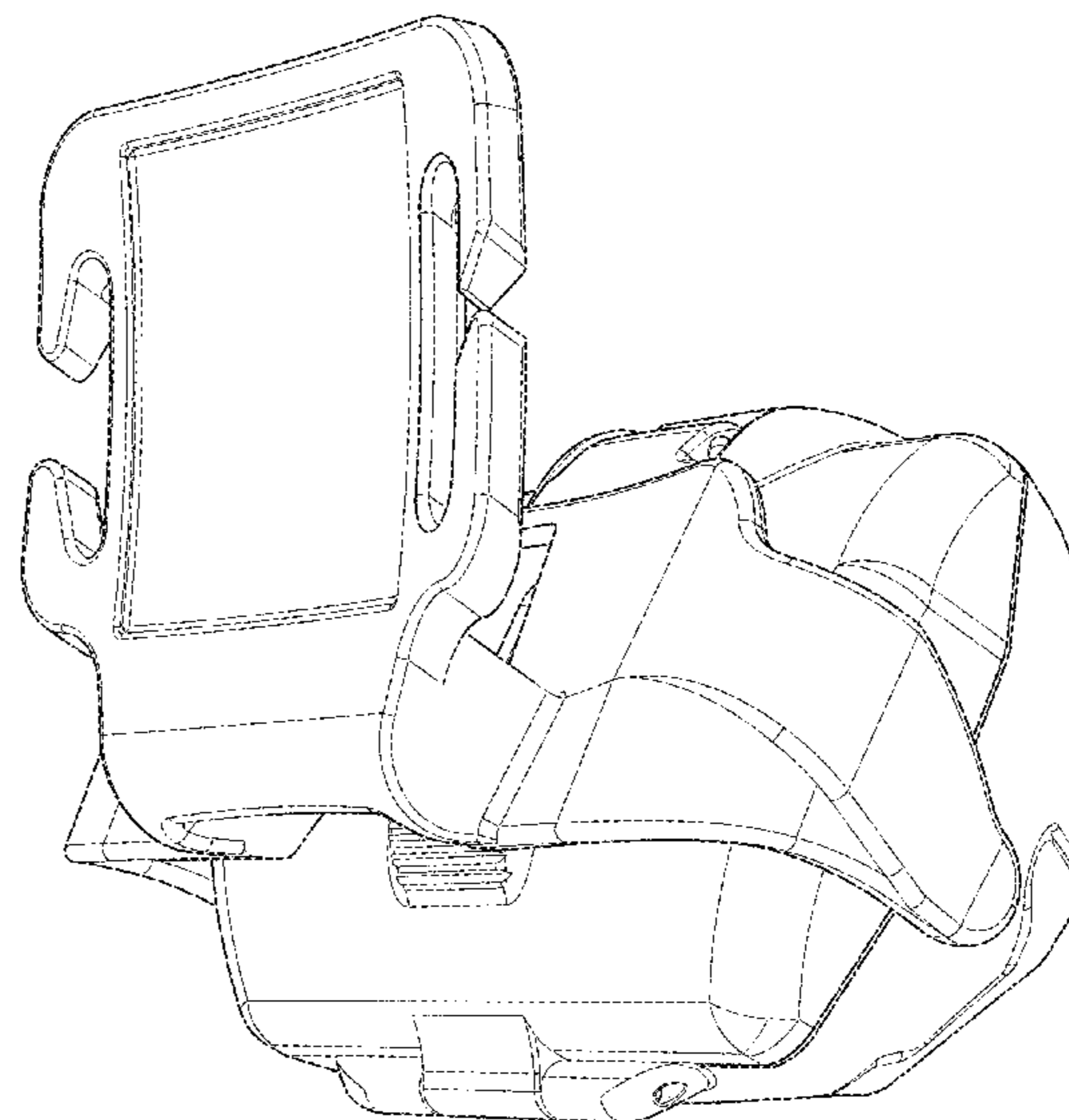
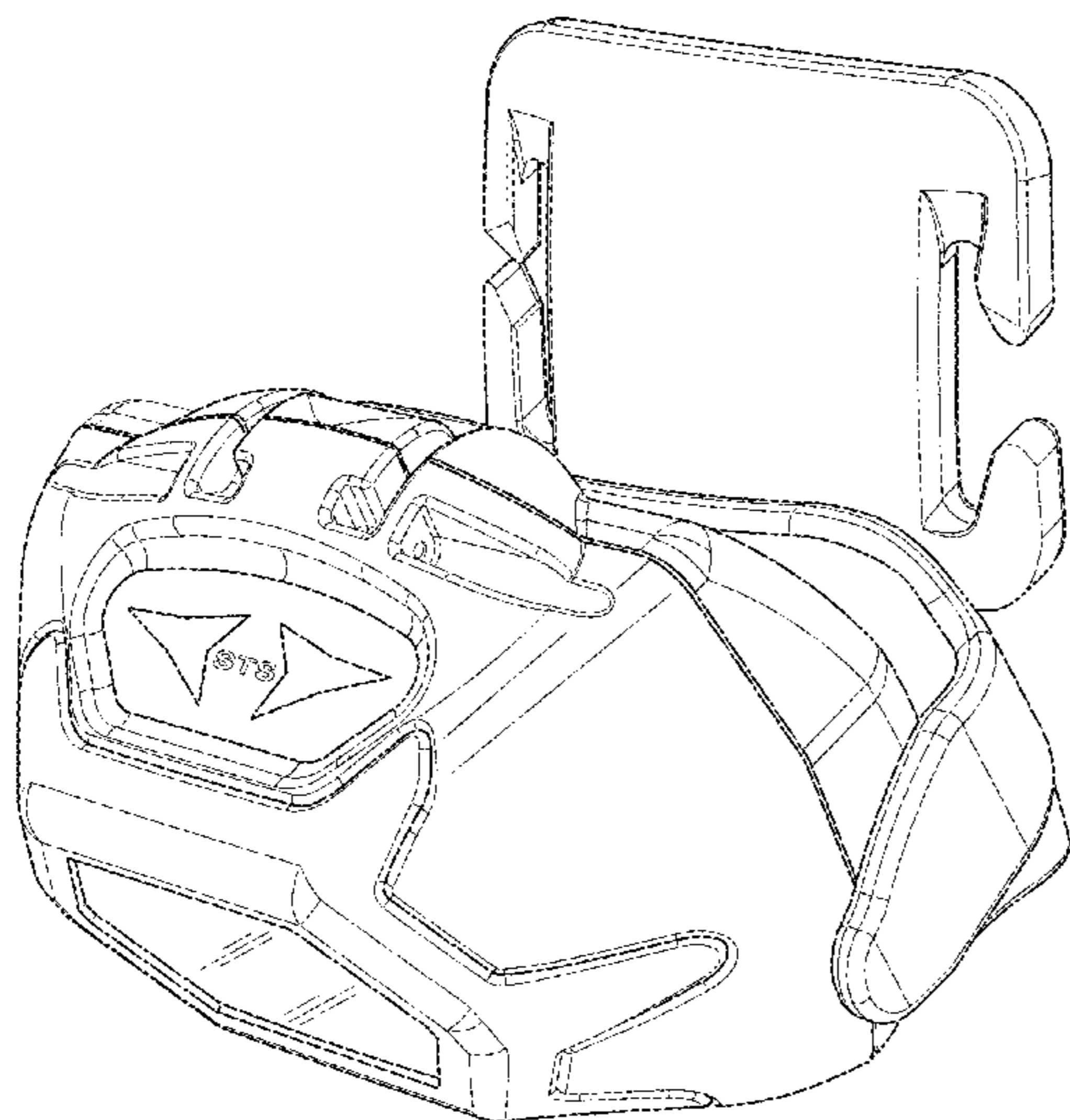


FIG. 1

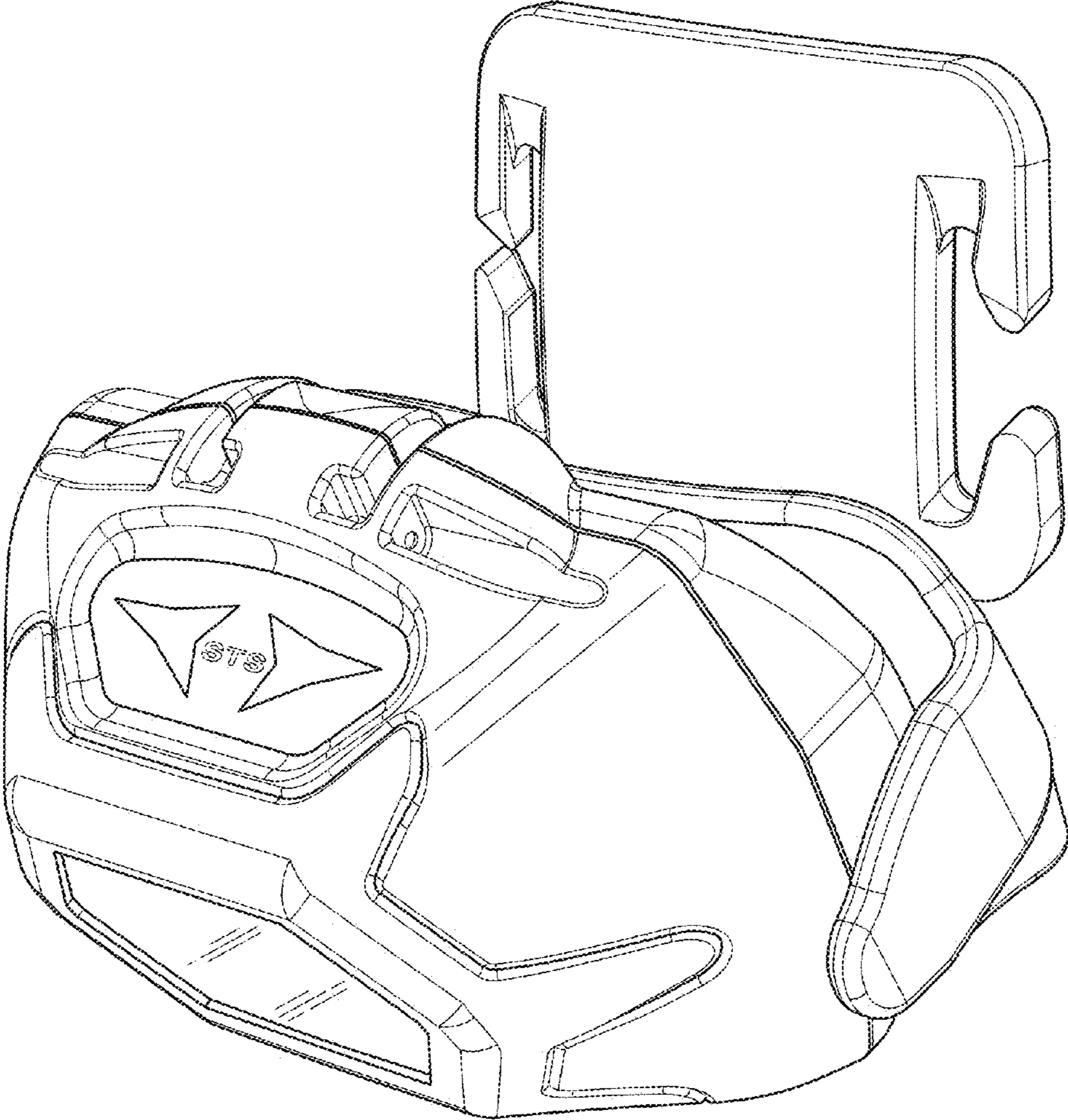


FIG. 2

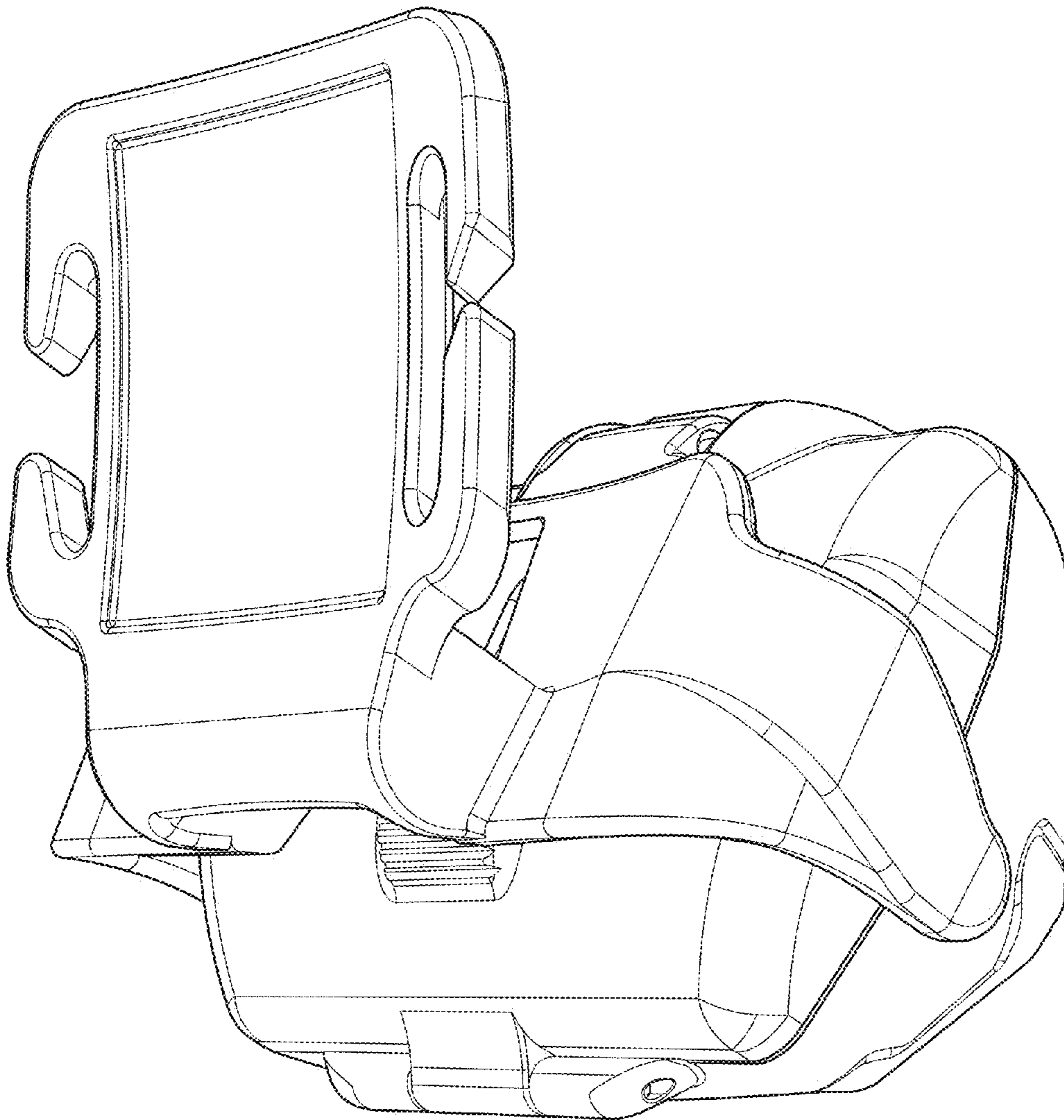


FIG. 3

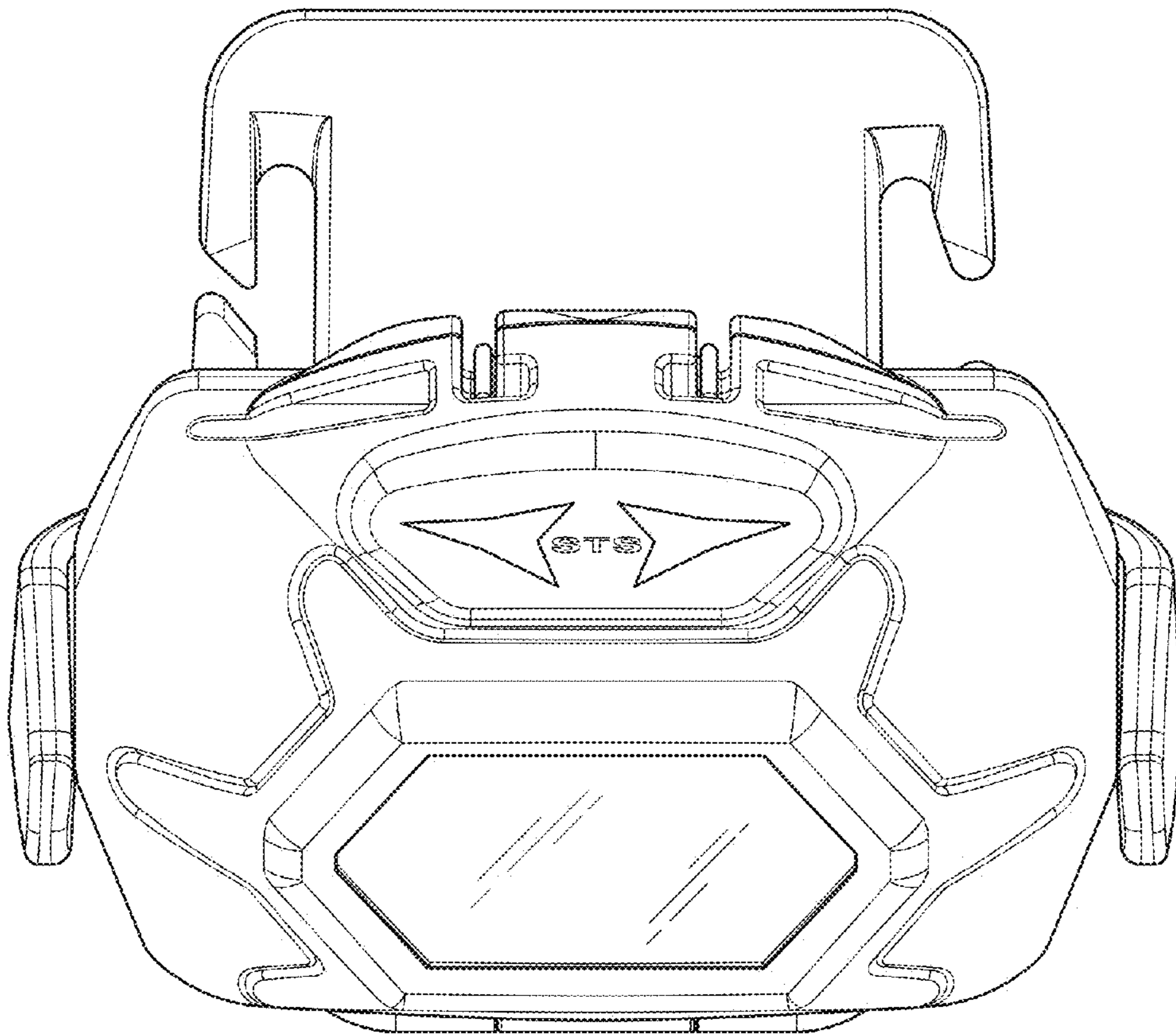


FIG. 4

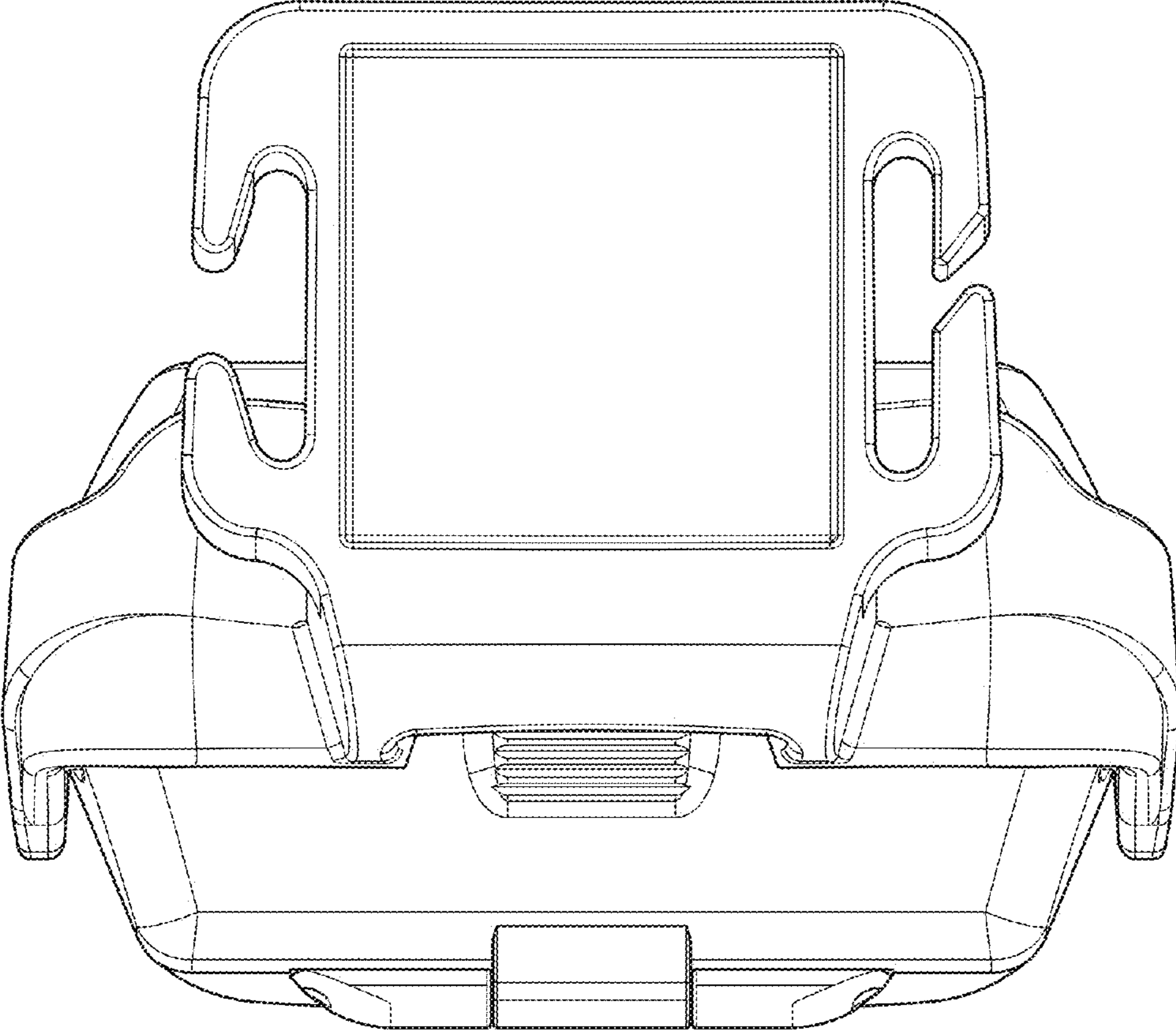


FIG. 5

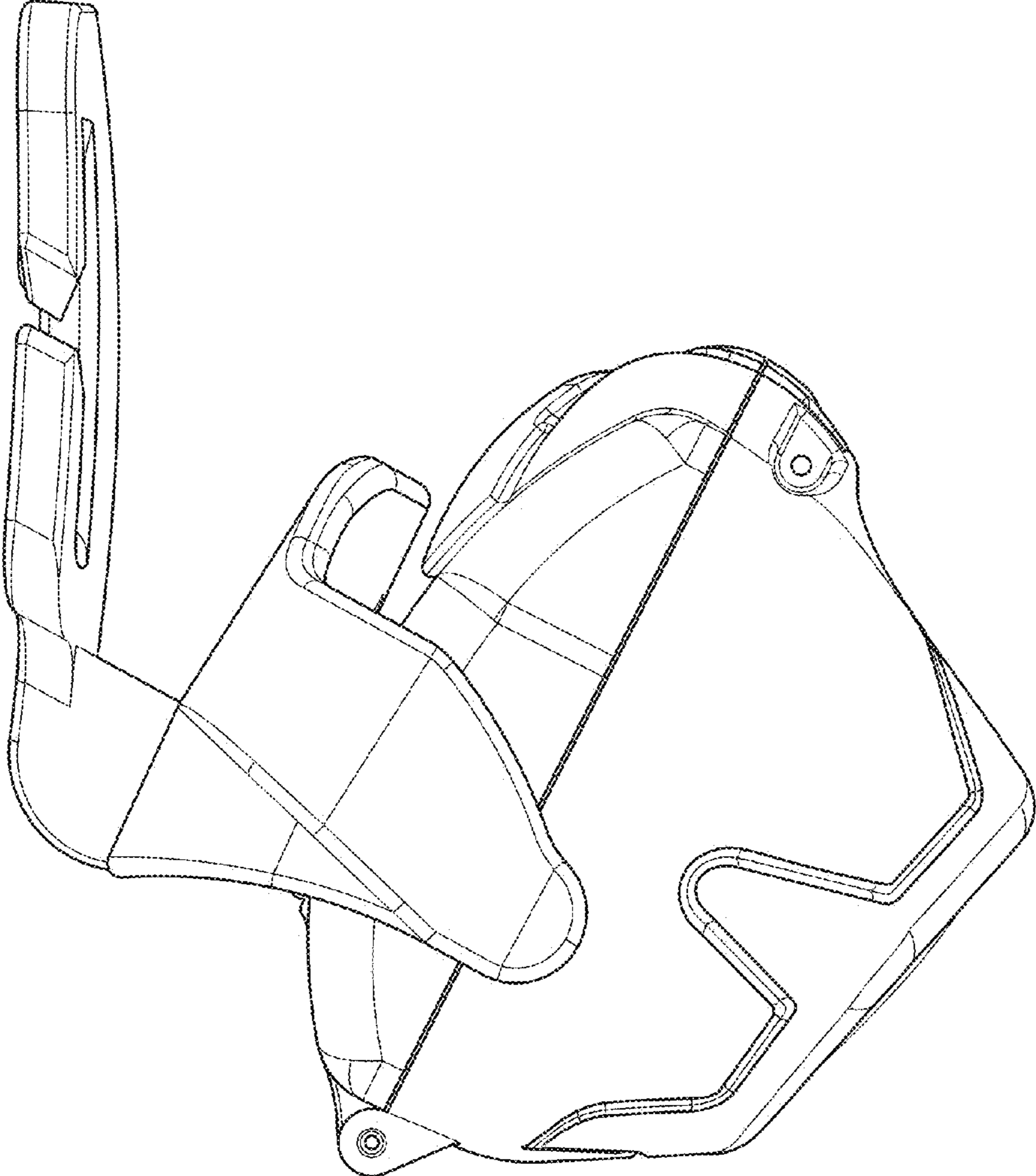


FIG. 6

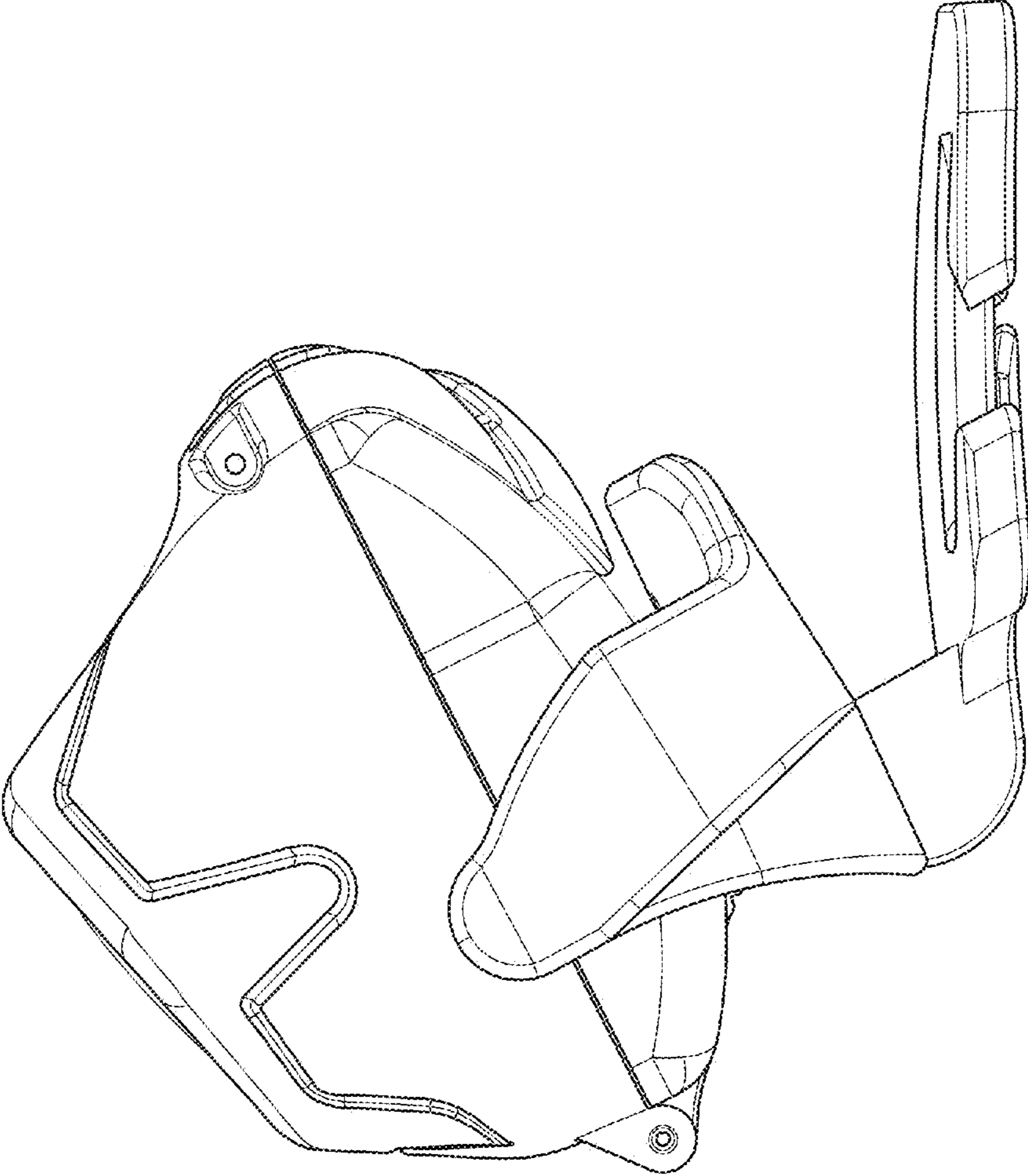


FIG. 7

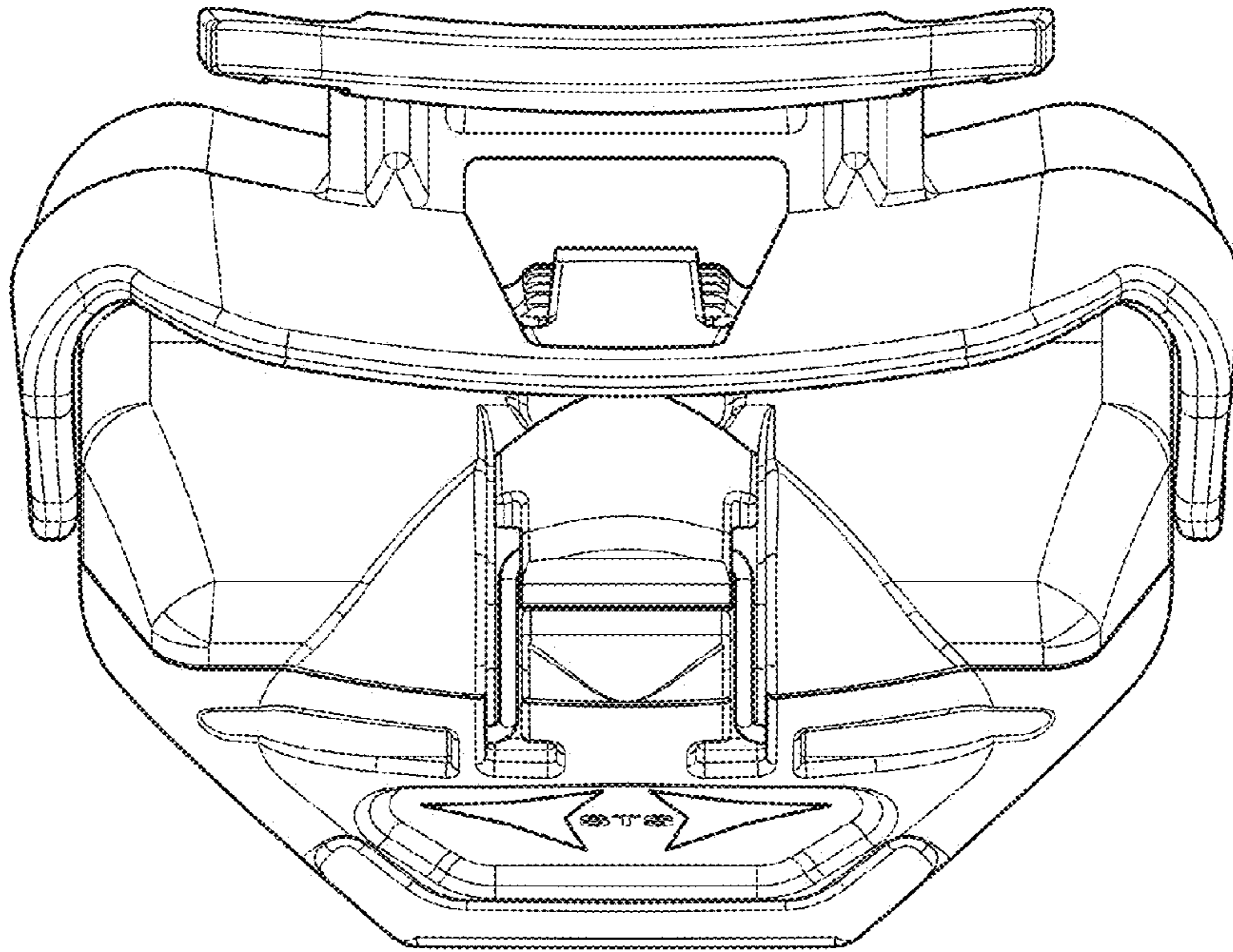


FIG. 8

