



US00D762314S

(12) **United States Design Patent**  
**Luk**

(10) **Patent No.:** **US D762,314 S**  
(45) **Date of Patent:** **\*\* Jul. 26, 2016**

(54) **HEADLIGHT FOR A VEHICLE**  
(71) Applicant: **Bayerische Motoren Werke**  
**Aktiengesellschaft, Munich (DE)**  
(72) Inventor: **Calvin Luk, Munich (DE)**  
(73) Assignee: **Bayerische Motoren Werke**  
**Aktiengesellschaft, Munich (DE)**  
(\*\*) Term: **15 Years**  
(21) Appl. No.: **29/530,466**  
(22) Filed: **Jun. 17, 2015**

D739,056 S \* 9/2015 Nordmann ..... D26/28  
D740,978 S \* 10/2015 Lee ..... D26/28  
D742,046 S \* 10/2015 Hwang ..... D26/28  
D743,065 S \* 11/2015 Weil ..... D26/28  
D747,519 S \* 1/2016 Kim ..... D26/28  
D749,763 S \* 2/2016 Sa ..... D26/28

**FOREIGN PATENT DOCUMENTS**

WO DM/064264 10/2003  
WO DM/069951 10/2008  
WO DM/076561 2/2012  
WO DM/078972 2/2013  
WO D079708-001 \* 6/2013

\* cited by examiner

*Primary Examiner* — Angela J Lee

(74) *Attorney, Agent, or Firm* — Crowell & Moring LLP

(30) **Foreign Application Priority Data**  
Dec. 18, 2014 (DE) ..... 40 2014 101 246  
(51) **LOC (10) Cl.** ..... **26-06**  
(52) **U.S. Cl.**  
USPC ..... **D26/28**  
(58) **Field of Classification Search**  
USPC ..... D26/28-36; 362/459-468, 475-478,  
362/485-487  
CPC ..... F21S 48/00; F21S 48/10; F21S 48/115;  
F21S 48/225; F21S 48/1233; F21S 48/1266;  
F21S 48/1388; F21S 48/2268; F21V 21/04  
See application file for complete search history.

(57) **CLAIM**

The ornamental design for a headlight for a vehicle, as shown and described.

**DESCRIPTION**

This application contains subject matter related to the following co-pending U.S. design patent applications: Application Ser. No. 29/530,451, filed herewith and entitled "Vehicle, Toy, and/or Replicas Thereof"; and Application Ser. No. 29/530,467, filed herewith and entitled "Headlight for a Vehicle".

FIG. 1 is a front view of a headlight for a vehicle according to the design;  
FIG. 2 is a right, front perspective view thereof;  
FIG. 3 is a left, front perspective view thereof;  
FIG. 4 is a right side view thereof;  
FIG. 5 is a left side view thereof;  
FIG. 6 is a top view thereof;  
FIG. 7 is a bottom view thereof; and,  
FIG. 8 is a rear view thereof.

(56) **References Cited**  
**U.S. PATENT DOCUMENTS**  
D563,576 S \* 3/2008 Hanaoka ..... D26/28  
D593,691 S \* 6/2009 Habib .....  
D667,153 S \* 9/2012 Huet ..... D26/28  
D686,355 S \* 7/2013 Morgenstern ..... D26/28  
D686,356 S \* 7/2013 Morgenstern ..... D26/28  
D721,450 S \* 1/2015 Lai ..... D26/28  
D736,969 S \* 8/2015 Selvaag ..... D26/28

**1 Claim, 8 Drawing Sheets**

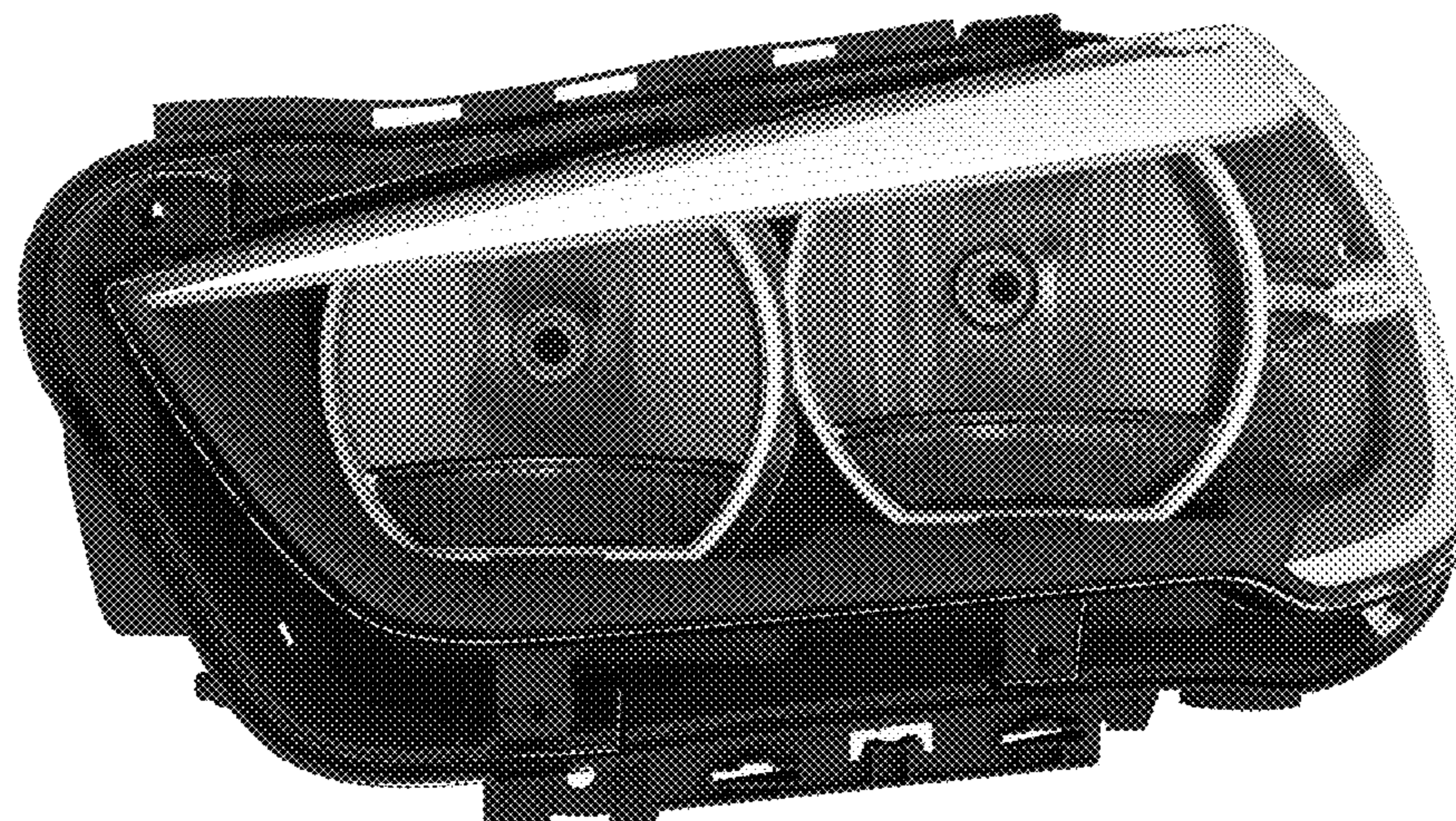




Fig. 1



Fig. 2



Fig. 3

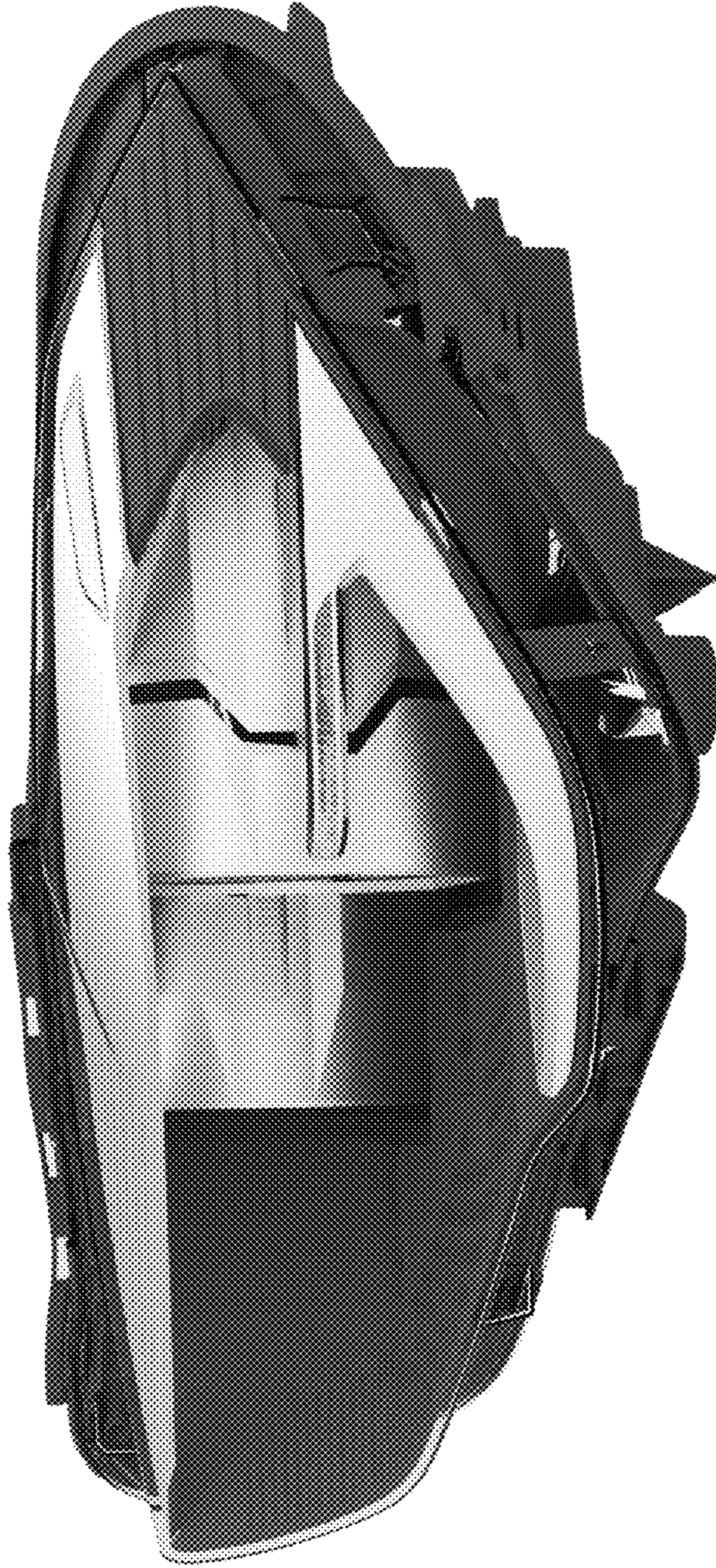


Fig. 4

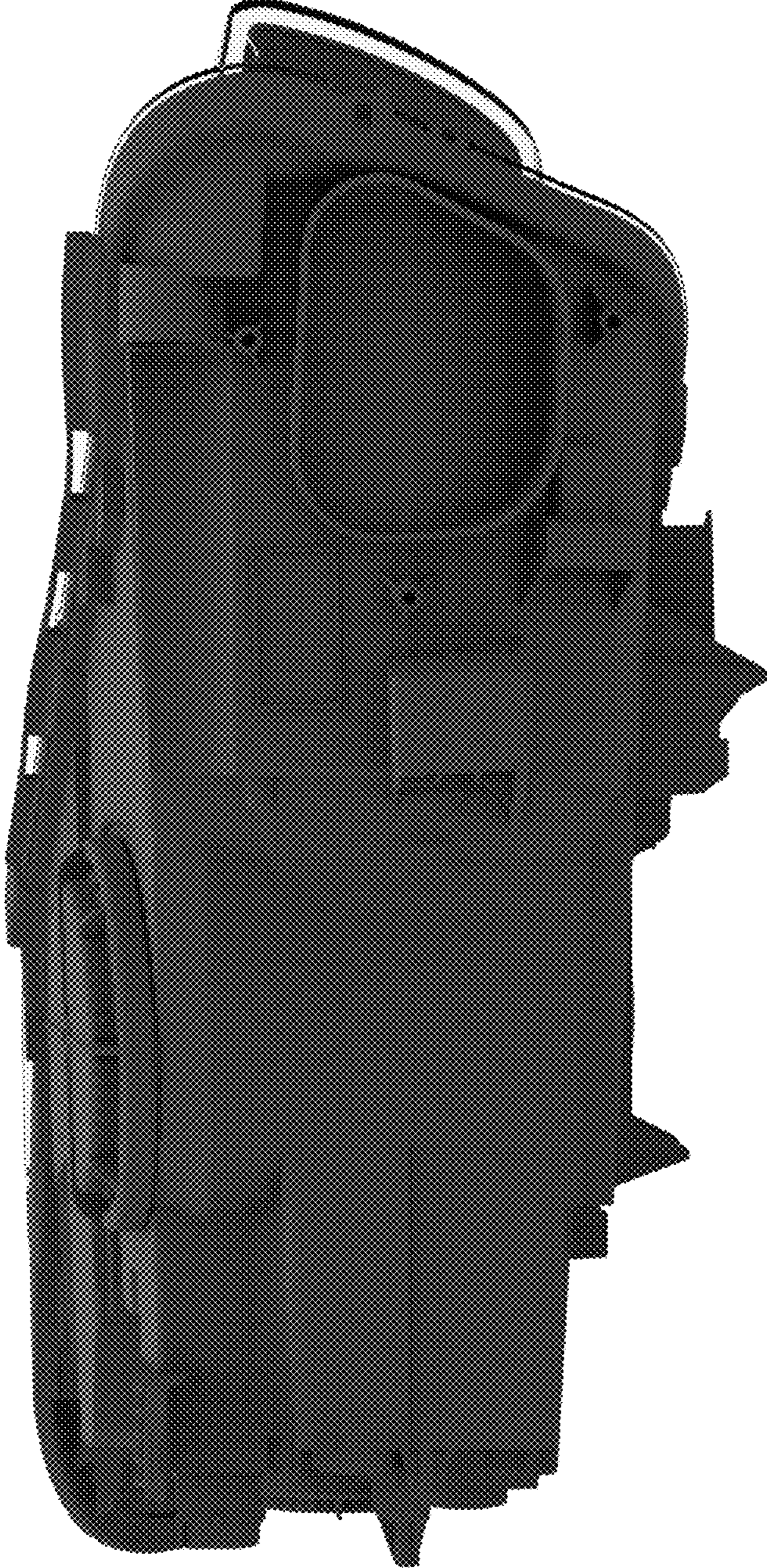


Fig. 5

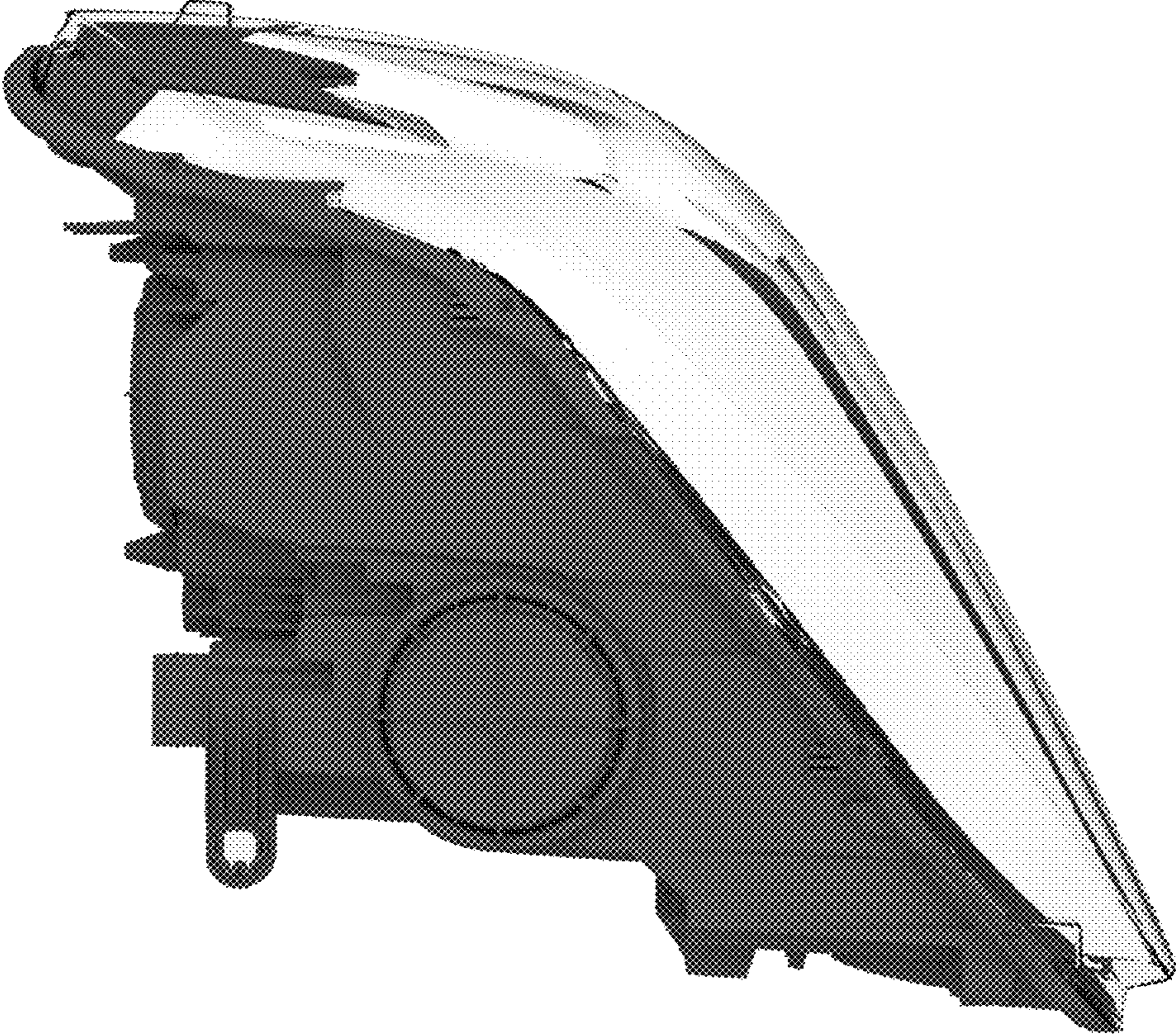


Fig. 6

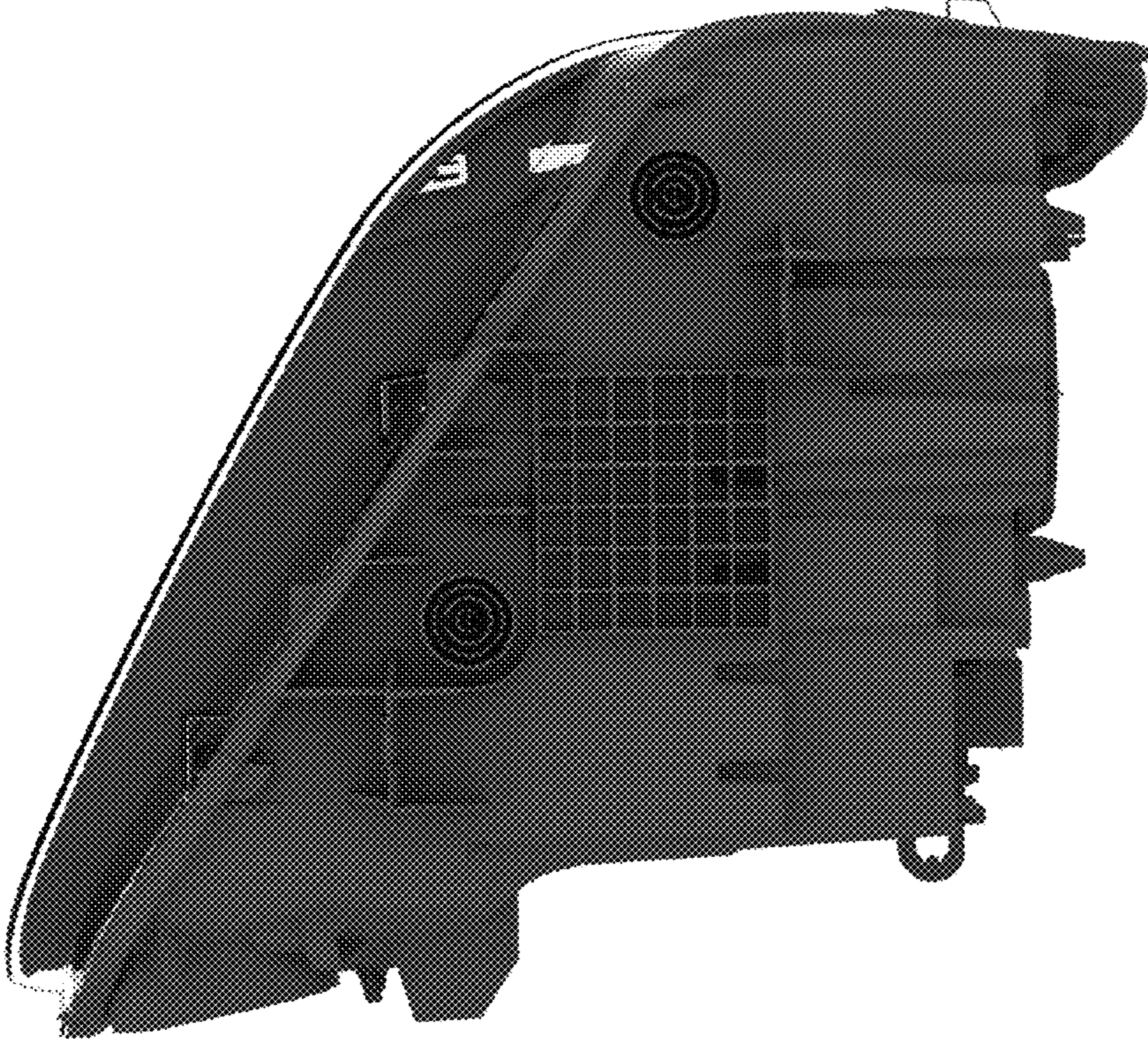


Fig. 7



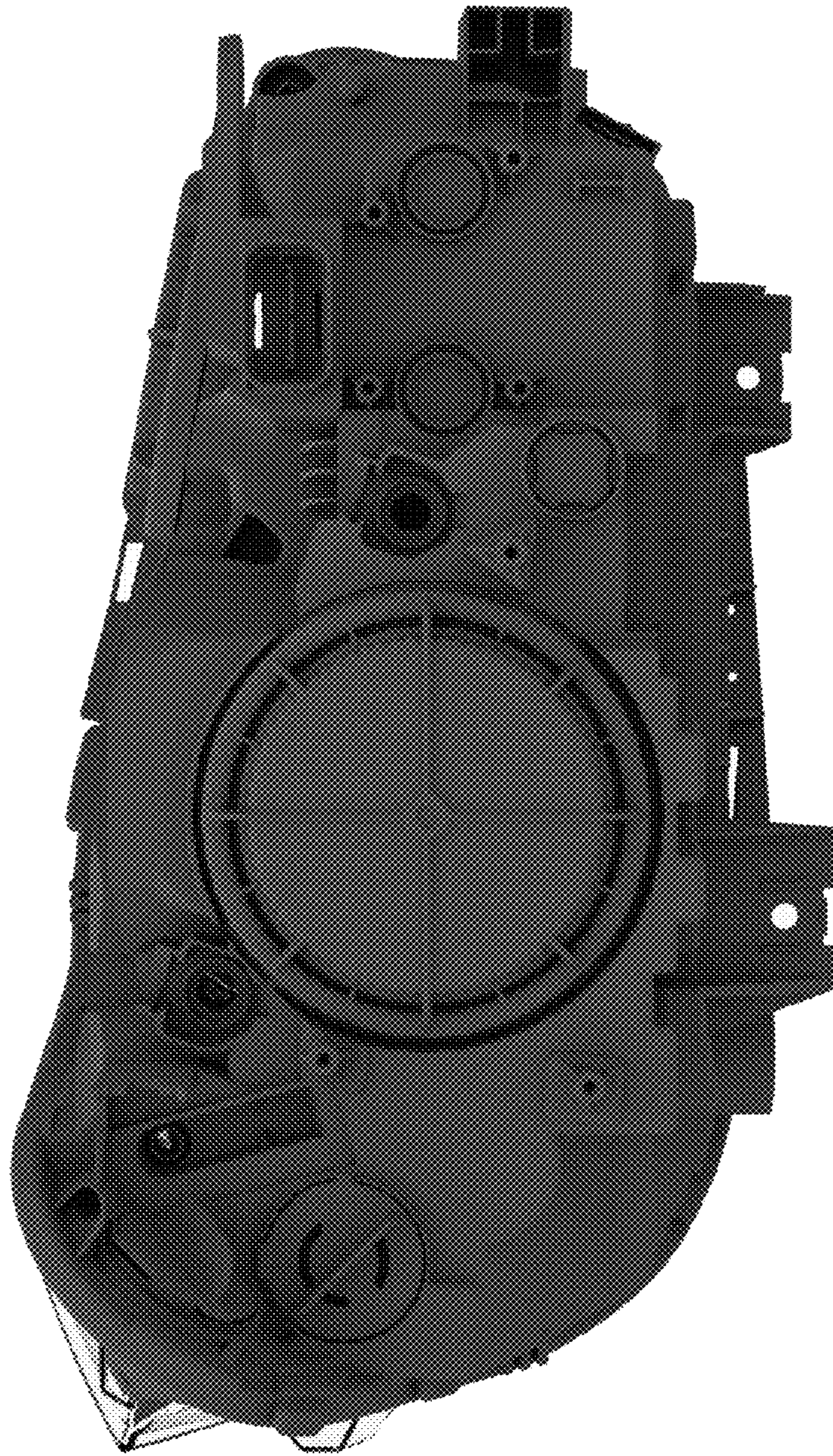


Fig. 8