



US00D762312S

(12) **United States Design Patent**  
**Wada**

(10) **Patent No.:** **US D762,312 S**  
(45) **Date of Patent:** **\*\* Jul. 26, 2016**

(54) **REAR COMBINATION LAMP FOR AN  
AUTOMOBILE**

(71) Applicant: **Honda Motor Co., Ltd.**, Tokyo (JP)

(72) Inventor: **Riku Wada**, Wako (JP)

(73) Assignee: **Honda Motor Co., Ltd.**, Tokyo (JP)

(\*\*) Term: **14 Years**

(21) Appl. No.: **29/520,711**

(22) Filed: **Mar. 17, 2015**

(30) **Foreign Application Priority Data**

Sep. 24, 2014 (JP) ..... 2014-021107

(51) **LOC (10) Cl.** ..... **26-06**

(52) **U.S. Cl.**  
USPC ..... **D26/28**

(58) **Field of Classification Search**  
USPC ..... D26/28-36; 362/459-468, 475-478,  
362/485-487  
CPC ..... F21S 48/00; F21S 48/10; F21S 48/115;  
F21S 48/225; F21S 48/1233; F21S 48/1266;  
F21S 48/1388; F21S 48/2268; F21V 21/04  
See application file for complete search history.

(56) **References Cited**

U.S. PATENT DOCUMENTS

D552,769 S *	10/2007	Leclercq	.....	D26/28
D553,269 S *	10/2007	Pfeiffer	.....	D26/28
D560,292 S *	1/2008	Sato	.....	D26/28
D561,357 S *	2/2008	Leclercq	.....	D26/28
D565,211 S *	3/2008	Haller	.....	D26/28
D574,524 S *	8/2008	Tomatsu	.....	D26/28

\* cited by examiner

*Primary Examiner* — Marcus Jackson

(74) *Attorney, Agent, or Firm* — Plumsea Law Group, LLC

(57) **CLAIM**

The ornamental design for a rear combination lamp for an automobile, as shown and described.

**DESCRIPTION**

FIG. 1 is a perspective view from the front side of a rear combination lamp for an automobile.  
FIG. 2 is a front elevation view thereof.  
FIG. 3 is a top plan view thereof.  
FIG. 4 is a bottom plan view thereof; and,  
FIG. 5 is a left side elevation view thereof.  
The broken lines shown in the drawings illustrate portions of the rear combination lamp that form no part of claimed design.

**1 Claim, 5 Drawing Sheets**

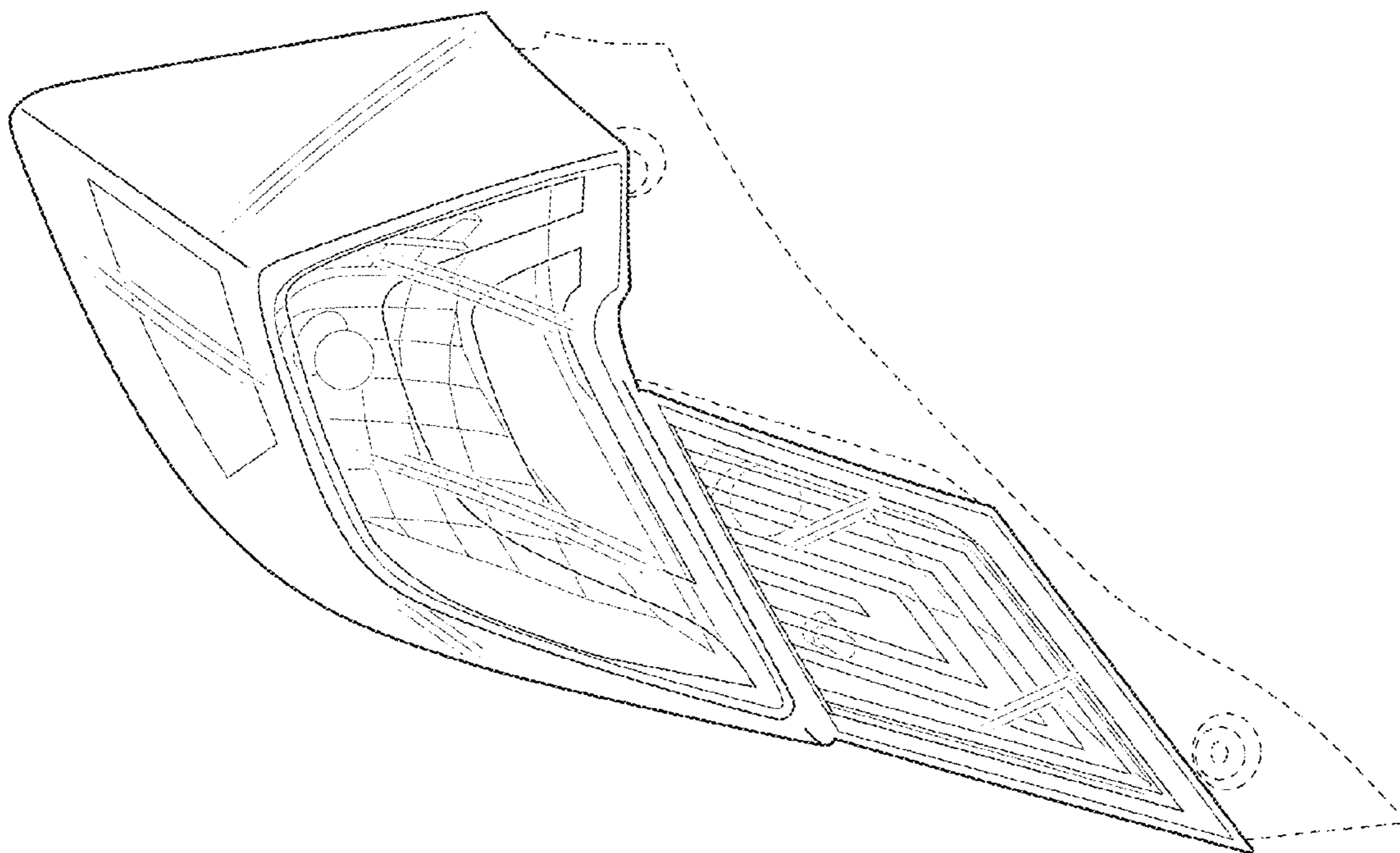


FIG. 1

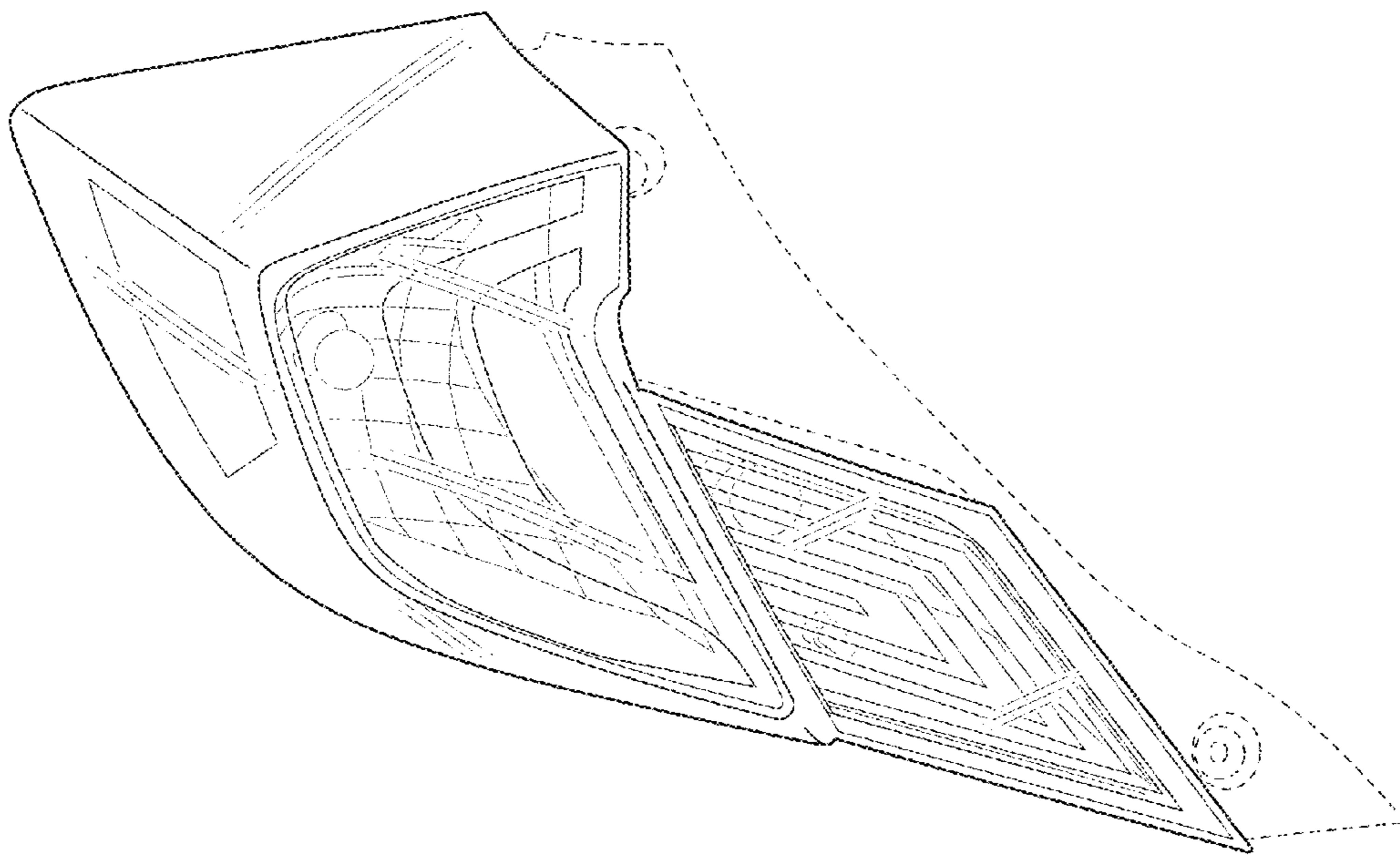


FIG. 2

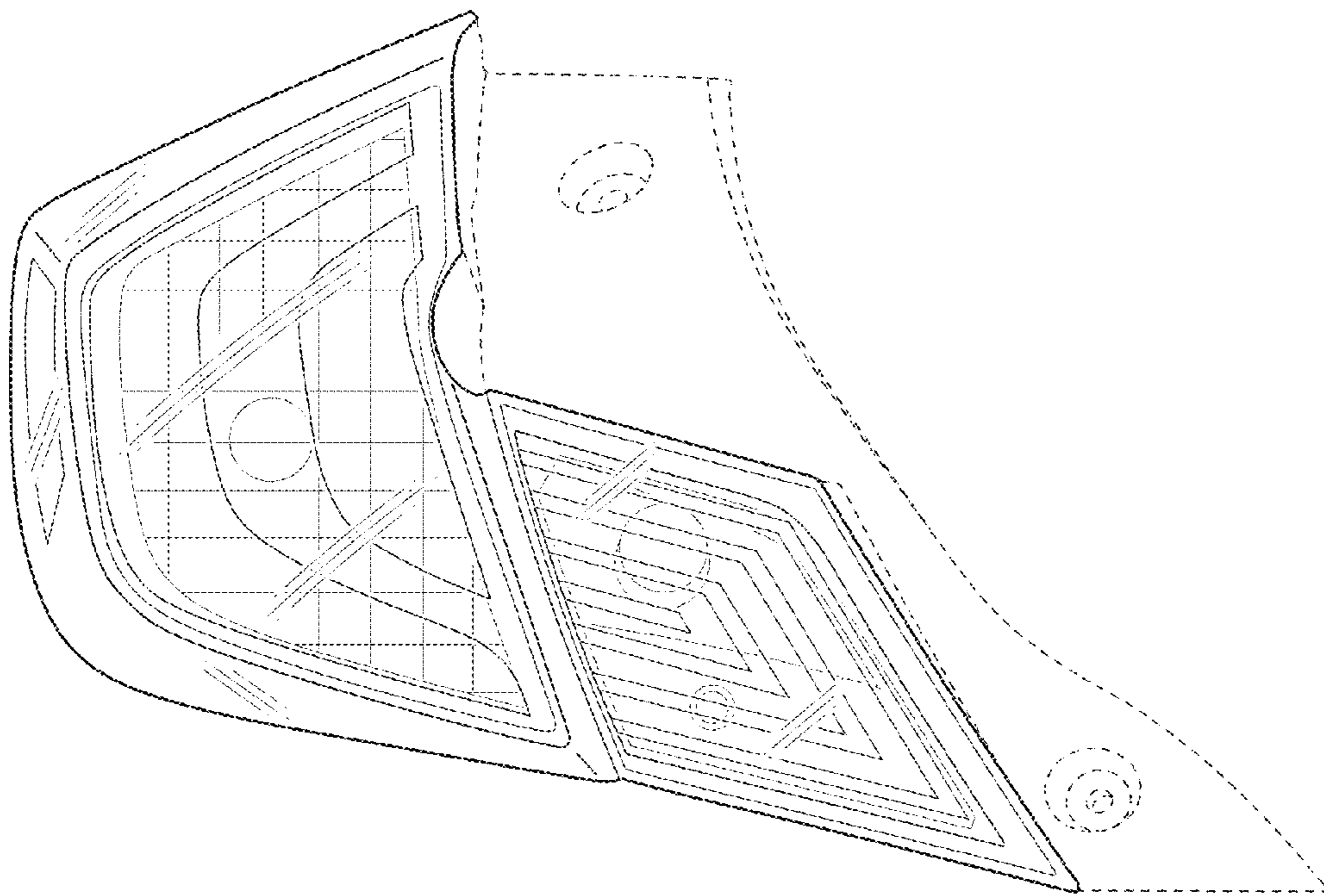


FIG. 3

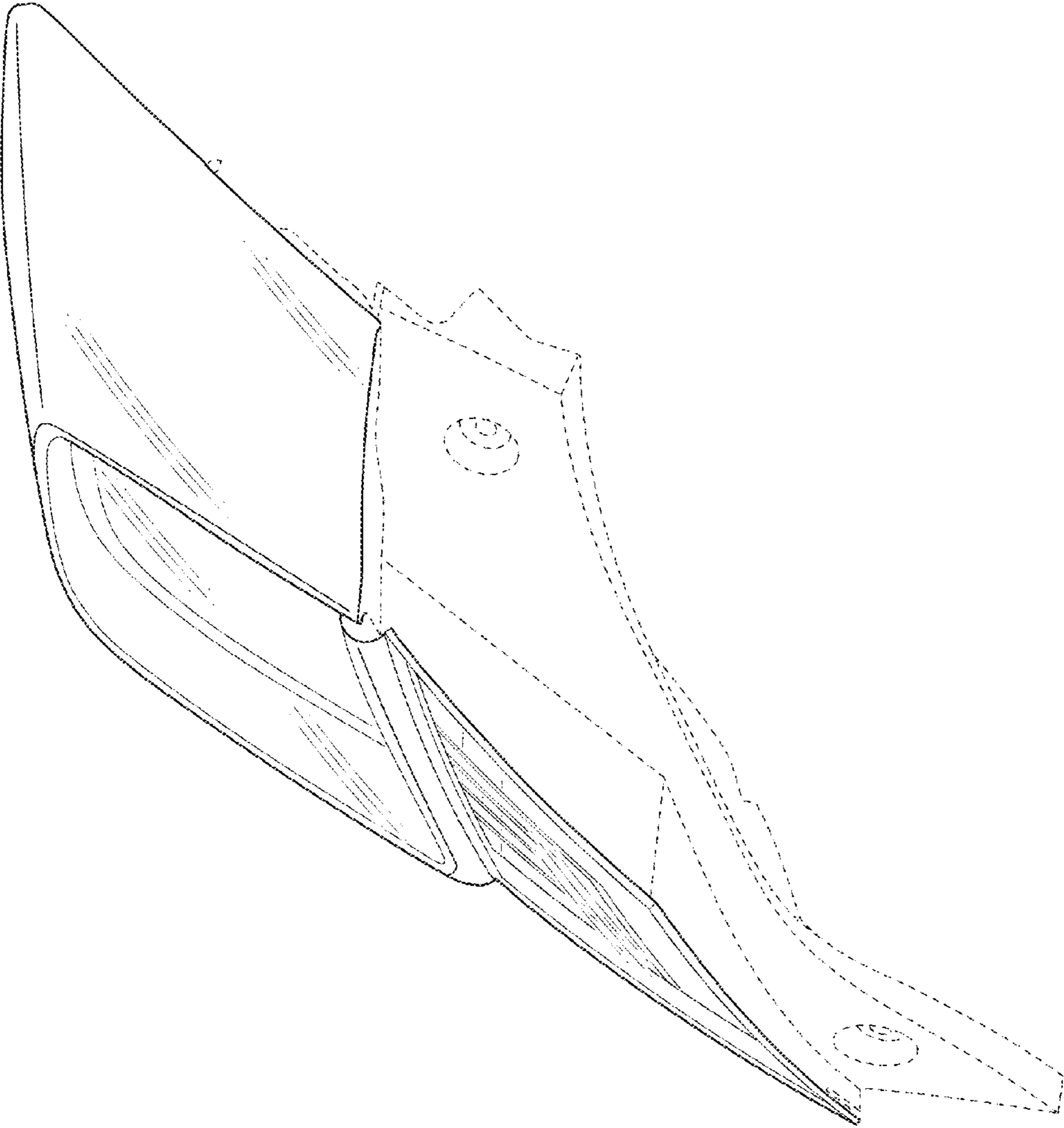


FIG. 4

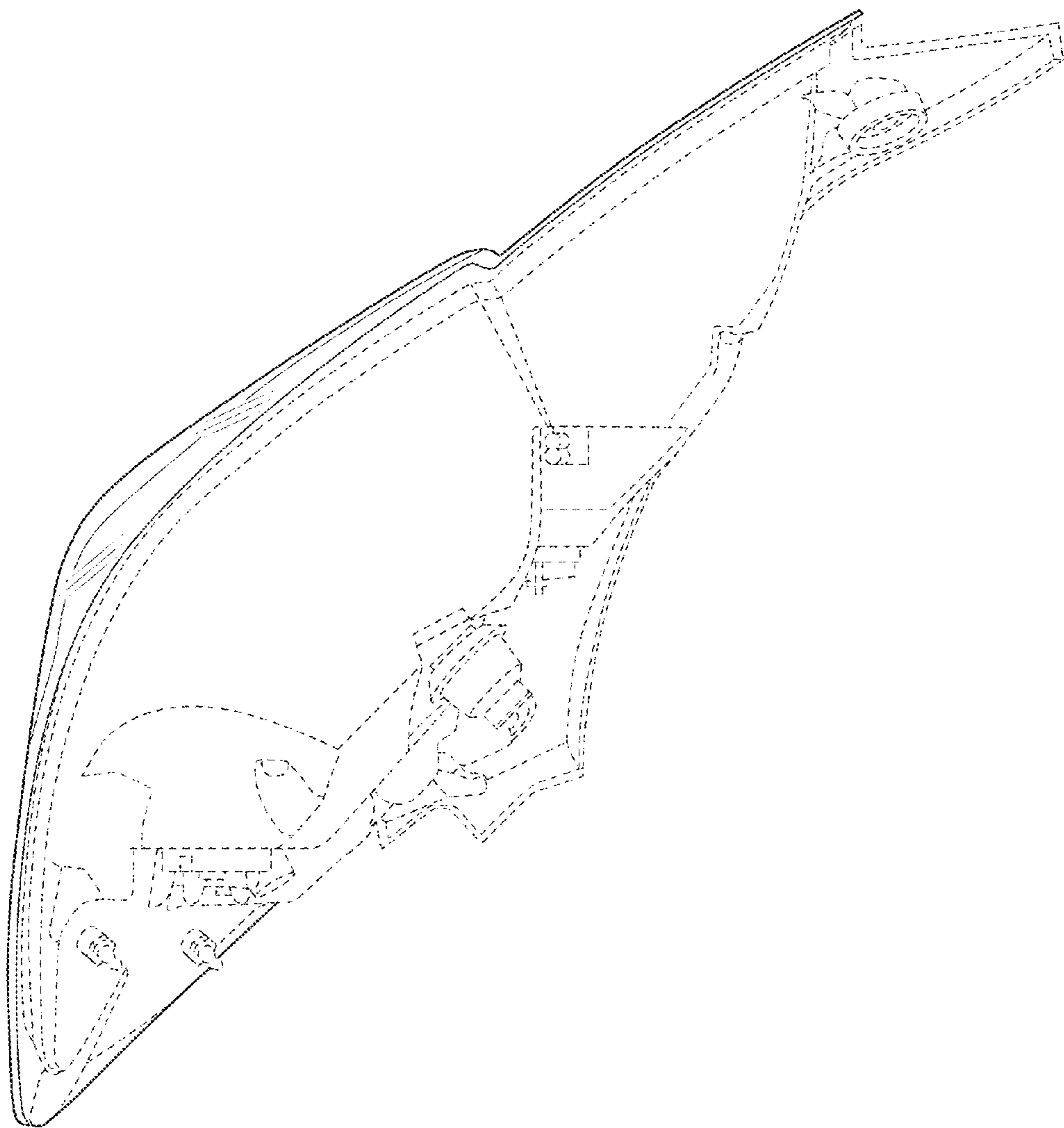




FIG. 5

